



US00D868019S

(12) **United States Design Patent** (10) **Patent No.:** **US D868,019 S**  
**Clinton et al.** (45) **Date of Patent:** **\*\* Nov. 26, 2019**

(54) **TRANSMITTER**

(56) **References Cited**

(71) Applicant: **AUTOMATIC TECHNOLOGY (AUSTRALIA) PTY LTD,**  
Keysborough, Victoria (AU)

U.S. PATENT DOCUMENTS

(72) Inventors: **Kane Clinton,** Keysborough (AU);  
**Travis Smith,** Keysborough (AU)

D385,878 S *	11/1997	Flick .....	D14/155
D671,091 S *	11/2012	Hauser .....	D14/155
D671,092 S *	11/2012	Hauser .....	D14/155
D671,093 S *	11/2012	Hauser .....	D14/155
D722,584 S *	2/2015	Chen .....	D14/155
D723,504 S *	3/2015	Reimer .....	D14/155
D726,681 S *	4/2015	Liu .....	D14/155
D730,311 S *	5/2015	Reimer .....	D14/155
D734,290 S *	7/2015	Reimer .....	D14/155
D738,347 S *	9/2015	Reimer .....	D14/155
D741,833 S *	10/2015	Reimer .....	D14/155
D746,252 S *	12/2015	Reimer .....	D14/155
D819,619 S *	6/2018	Li .....	D14/240

(73) Assignee: **AUTOMATIC TECHNOLOGY (AUSTRALIA) PTY LTD. (AU)**

(\*\*) Term: **15 Years**

\* cited by examiner

(21) Appl. No.: **29/653,651**

*Primary Examiner* — Austin Murphy

(22) Filed: **Jun. 18, 2018**

(74) *Attorney, Agent, or Firm* — Sheridan Ross P.C.

(30) **Foreign Application Priority Data**

Dec. 19, 2017 (AU) ..... 201717737

(51) **LOC (12) Cl.** ..... **14-03**

(57) **CLAIM**

The ornamental design for a transmitter, as shown and described.

(52) **U.S. Cl.**

USPC ..... **D14/155**

**DESCRIPTION**

(58) **Field of Classification Search**

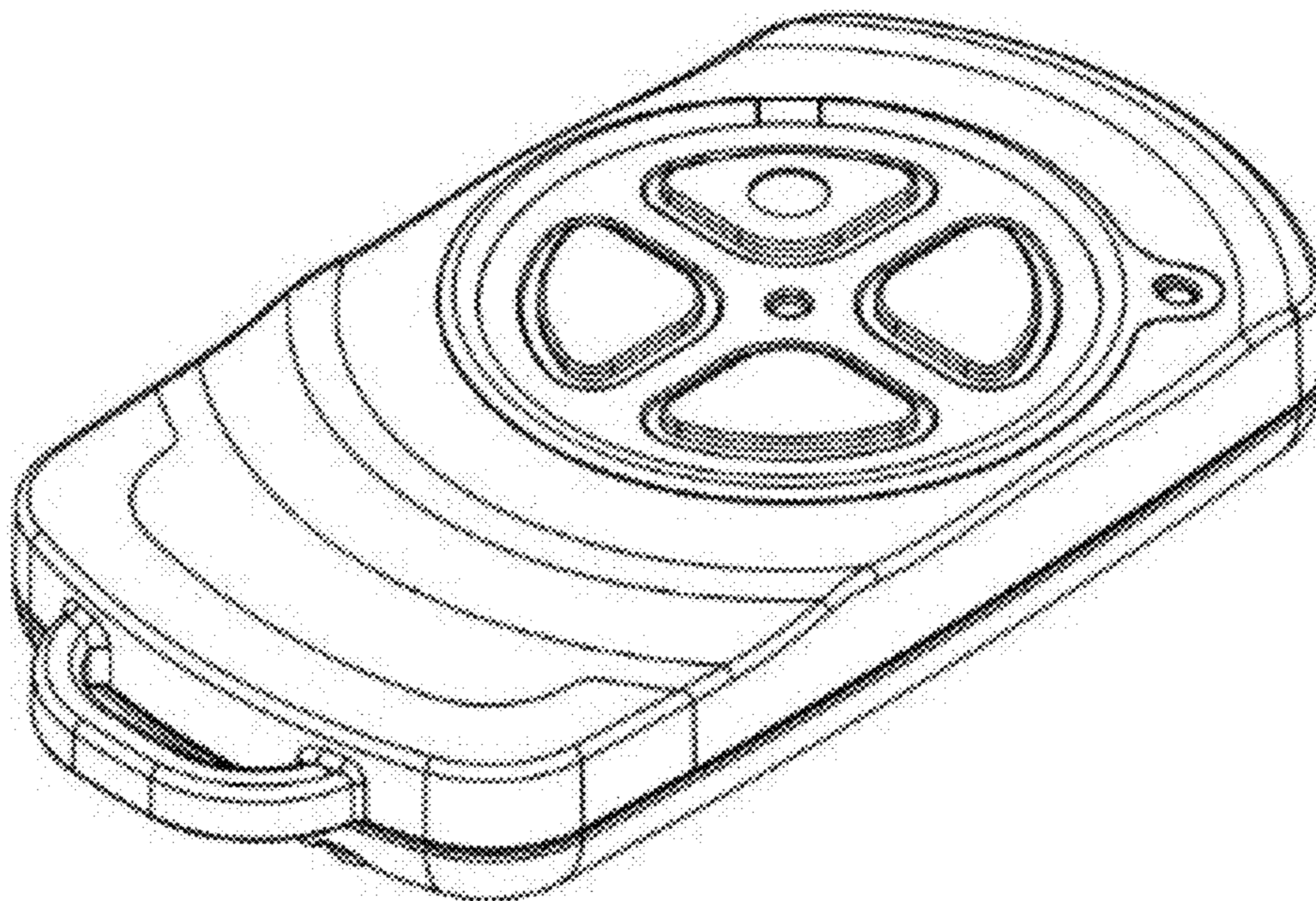
USPC ..... D14/167, 154, 168, 188, 496, 156, 160,  
D14/161, 162, 163, 164, 165, 158, 341,  
D14/346, 342, 345, 137, 155, 218, 225;  
D16/208; D26/38; 455/351, 350;  
D10/104.1, 106, 65

FIG. 1 is a rear view of the transmitter;  
FIG. 2 is an end view of the transmitter;  
FIG. 3 is a front view of the transmitter;  
FIG. 4 is a left side view of the transmitter;  
FIG. 5 is a perspective view of the transmitter; and,  
FIG. 6 is a right side view of the transmitter.

CPC .... H04B 1/385; H04M 1/6091; H04M 1/6066

See application file for complete search history.

**1 Claim, 3 Drawing Sheets**



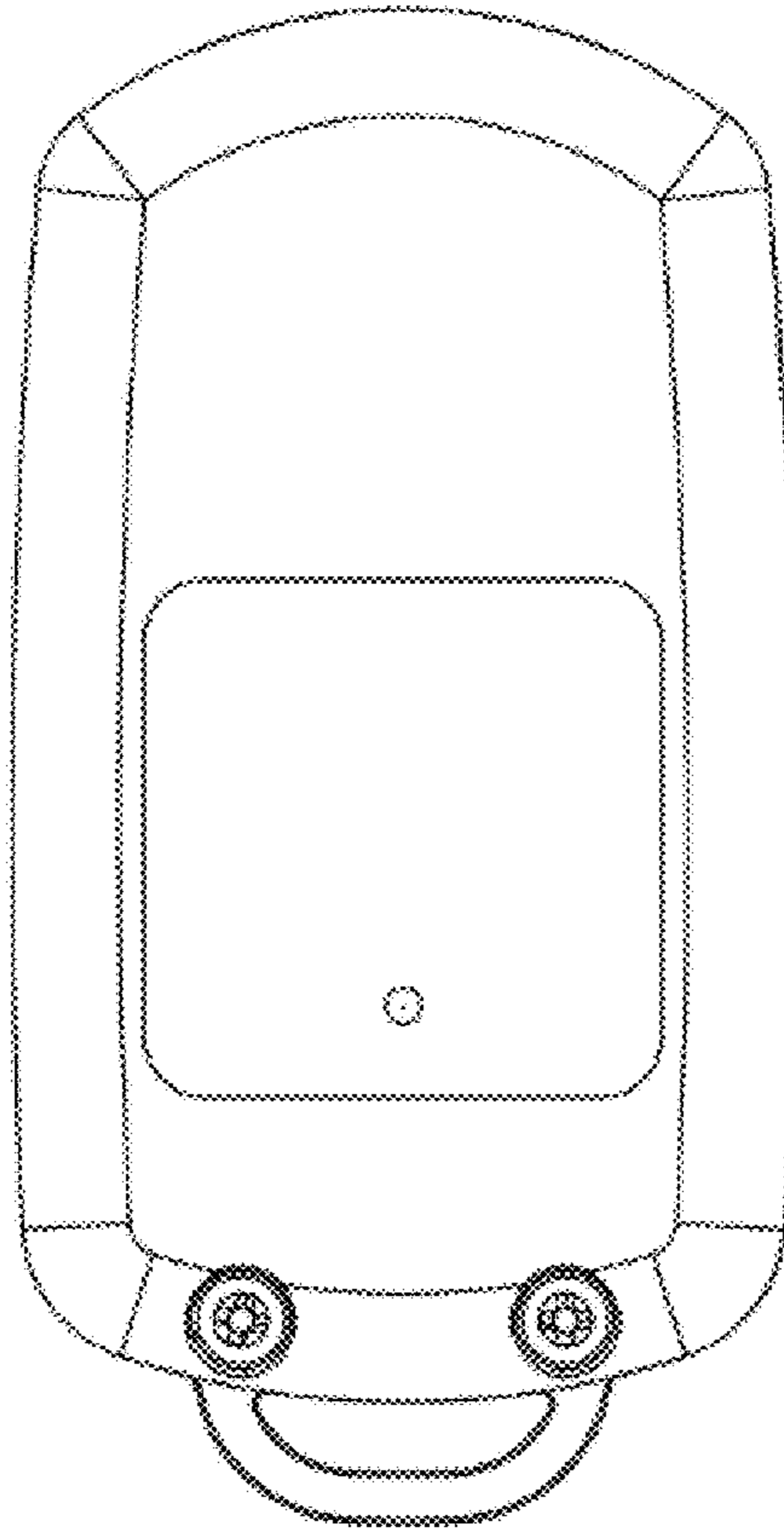


FIG. 1

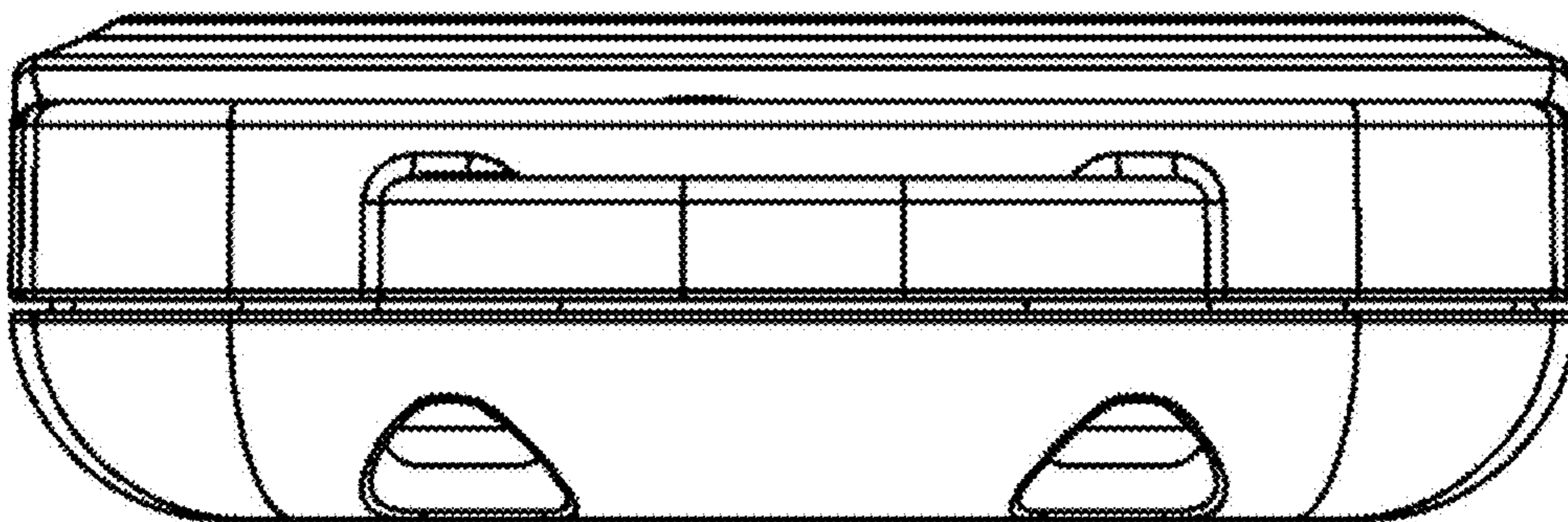


FIG. 2

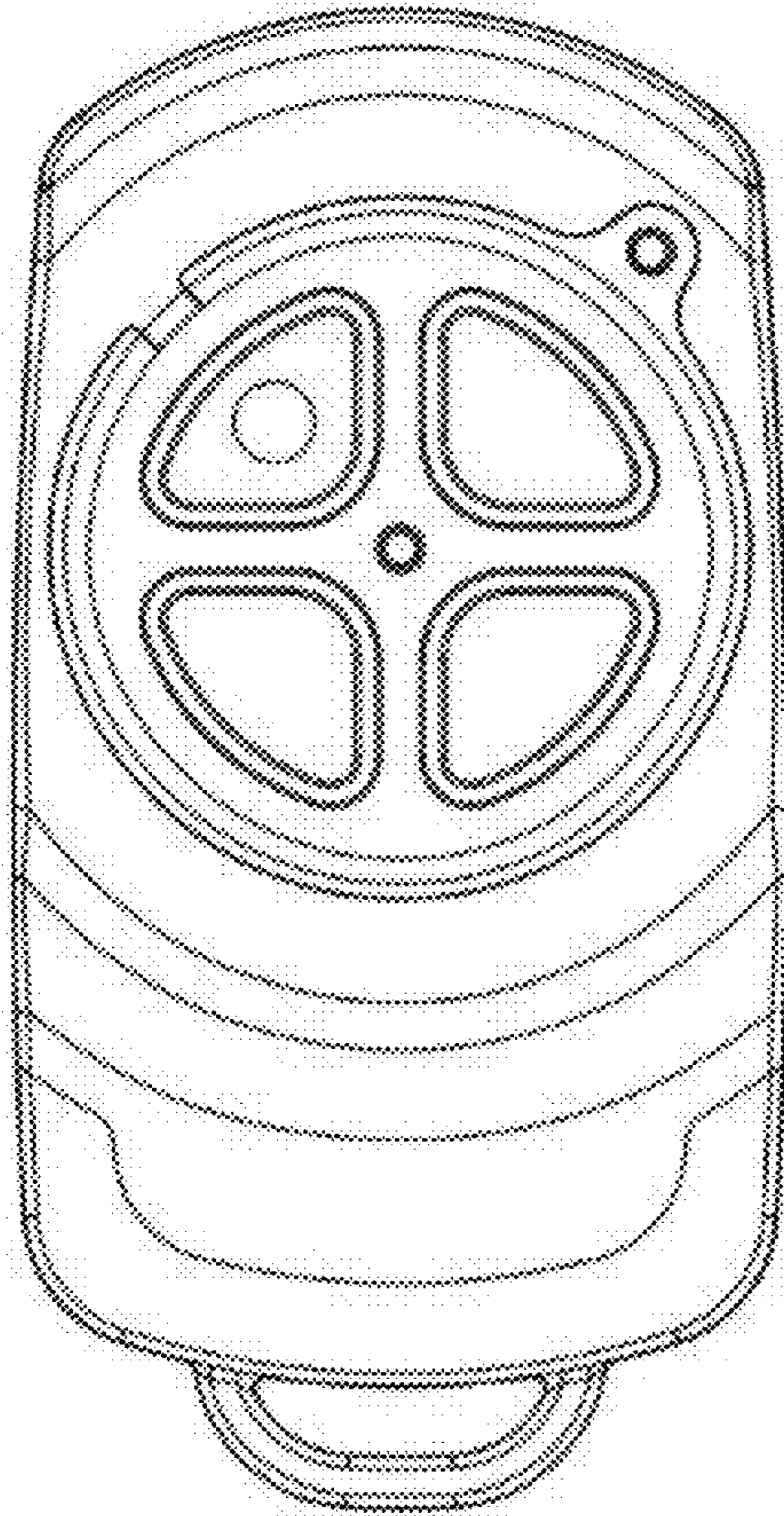


FIG. 3

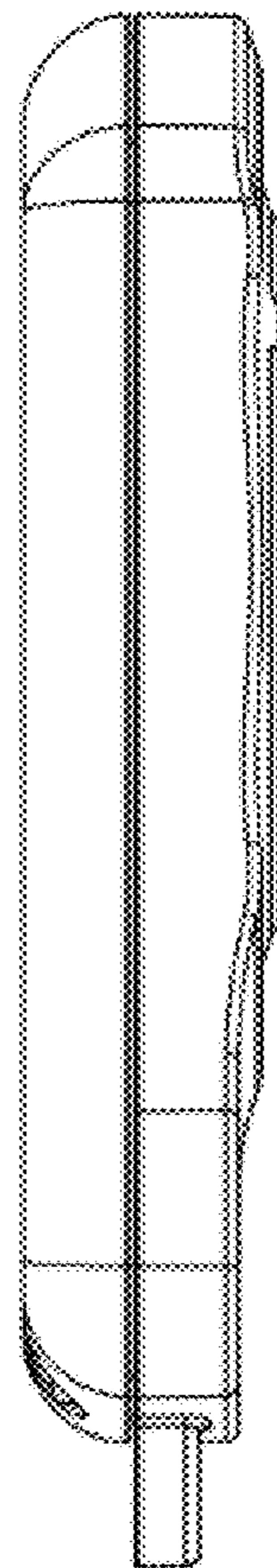


FIG. 4

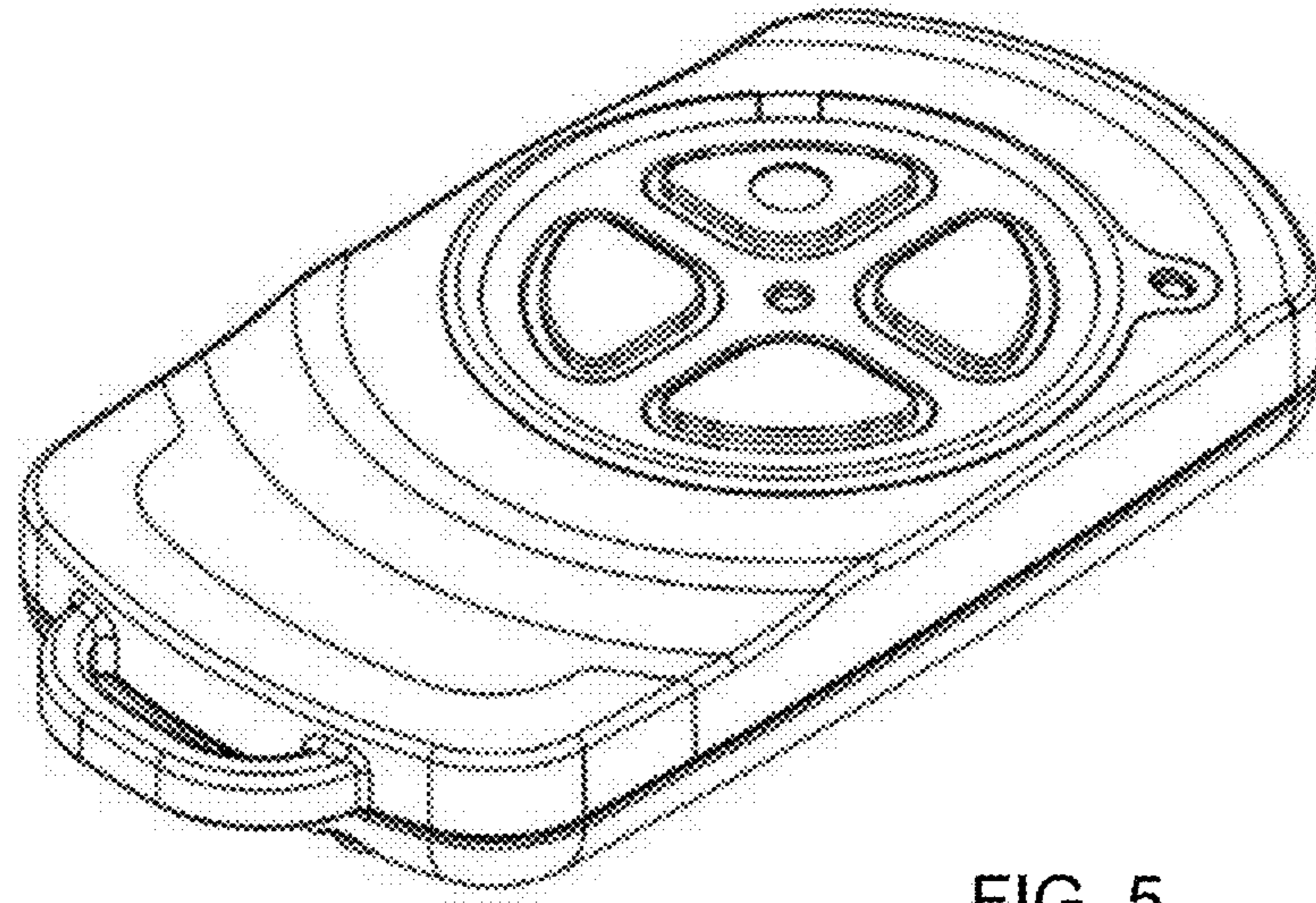


FIG. 5

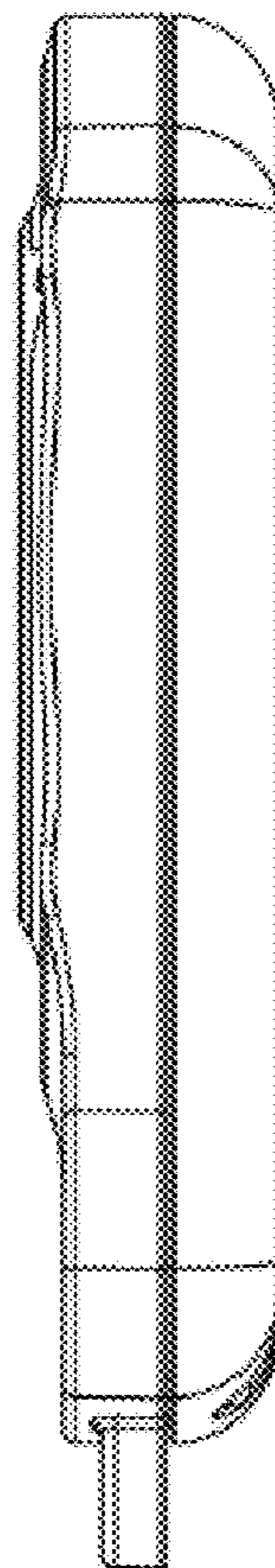


FIG. 6