



US00D868018S

(12) **United States Design Patent**
Chen et al.

(10) **Patent No.:** **US D868,018 S**

(45) **Date of Patent:** **** Nov. 26, 2019**

(54) **DOCK OF CONFERENCE DEVICE**

(71) Applicants: **Po-Yin Chen**, Taipei (TW); **Yuan-Shie Chang**, Taipei (TW); **Chih-Yu Chen**, Taipei (TW)

(72) Inventors: **Po-Yin Chen**, Taipei (TW); **Yuan-Shie Chang**, Taipei (TW); **Chih-Yu Chen**, Taipei (TW)

(73) Assignee: **COMPAL ELECTRONICS, INC.**, Taipei (TW)

(**) Term: **15 Years**

(21) Appl. No.: **29/657,541**

(22) Filed: **Jul. 24, 2018**

(30) **Foreign Application Priority Data**

Jan. 26, 2018 (TW) 107300495

(51) **LOC (12) Cl.** **14-03**

(52) **U.S. Cl.**
USPC **D14/149; D14/252; D14/209.1**

(58) **Field of Classification Search**
USPC D14/434, 356, 358, 447, 496, 149, 150,
D14/221, 224, 224.1, 238.1, 240, 251,
(Continued)

(56) **References Cited**

U.S. PATENT DOCUMENTS

D430,549 S * 9/2000 Du D14/141.2
D454,703 S * 3/2002 Doeing D19/90
(Continued)

FOREIGN PATENT DOCUMENTS

CN 1605070 4/2005

OTHER PUBLICATIONS

JBL on Stage IIIP Review. laptopmag.com. (online) 1 pg. Posted Jul. 22, 2008. [Retrieved on Aug. 15, 2019] <https://www.laptopmag.com/reviews/accessories/jbl-on-stage-iiip>.*

Primary Examiner — Marie D. Fast Horse
(74) *Attorney, Agent, or Firm* — JCIPRNET

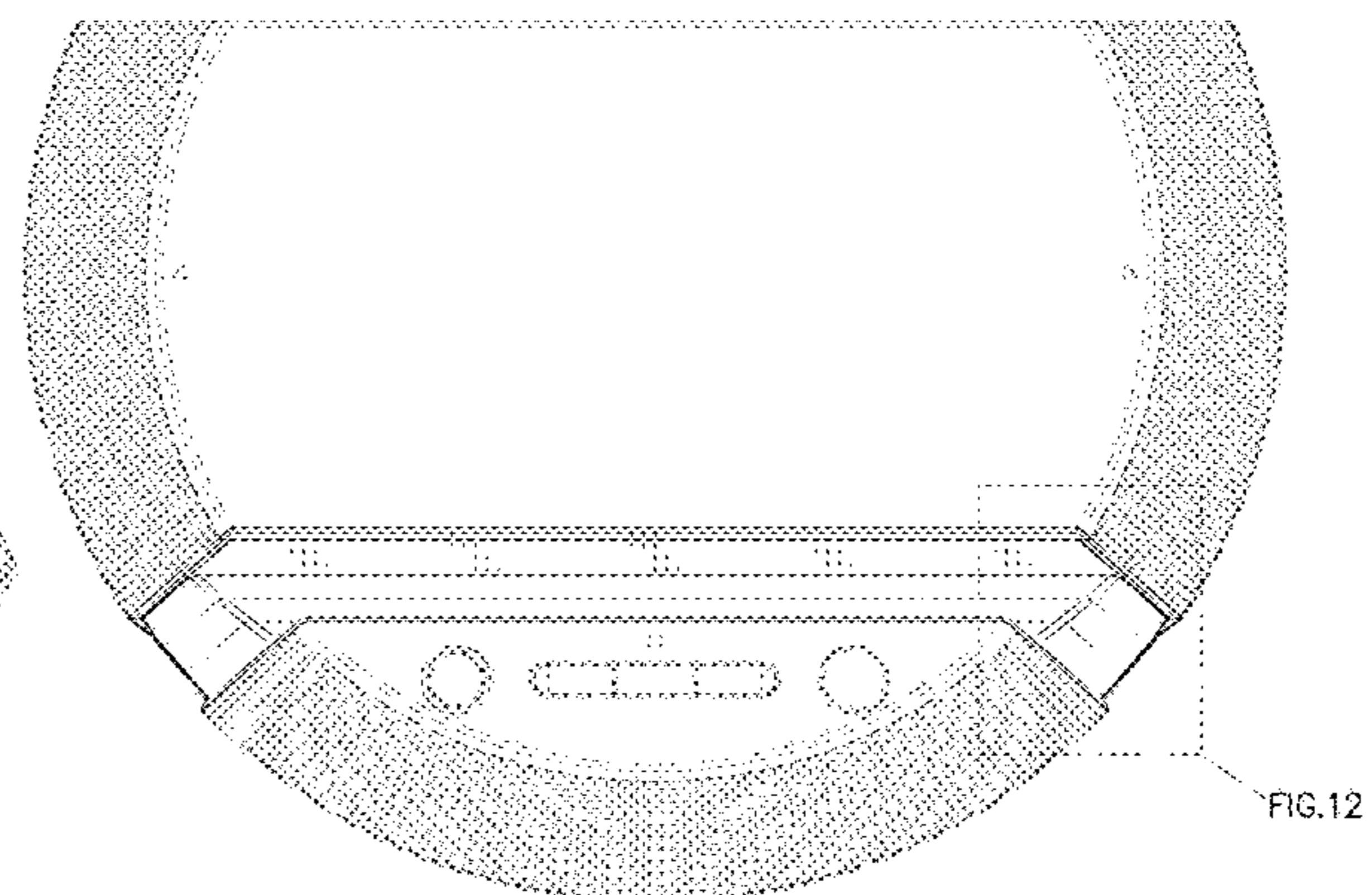
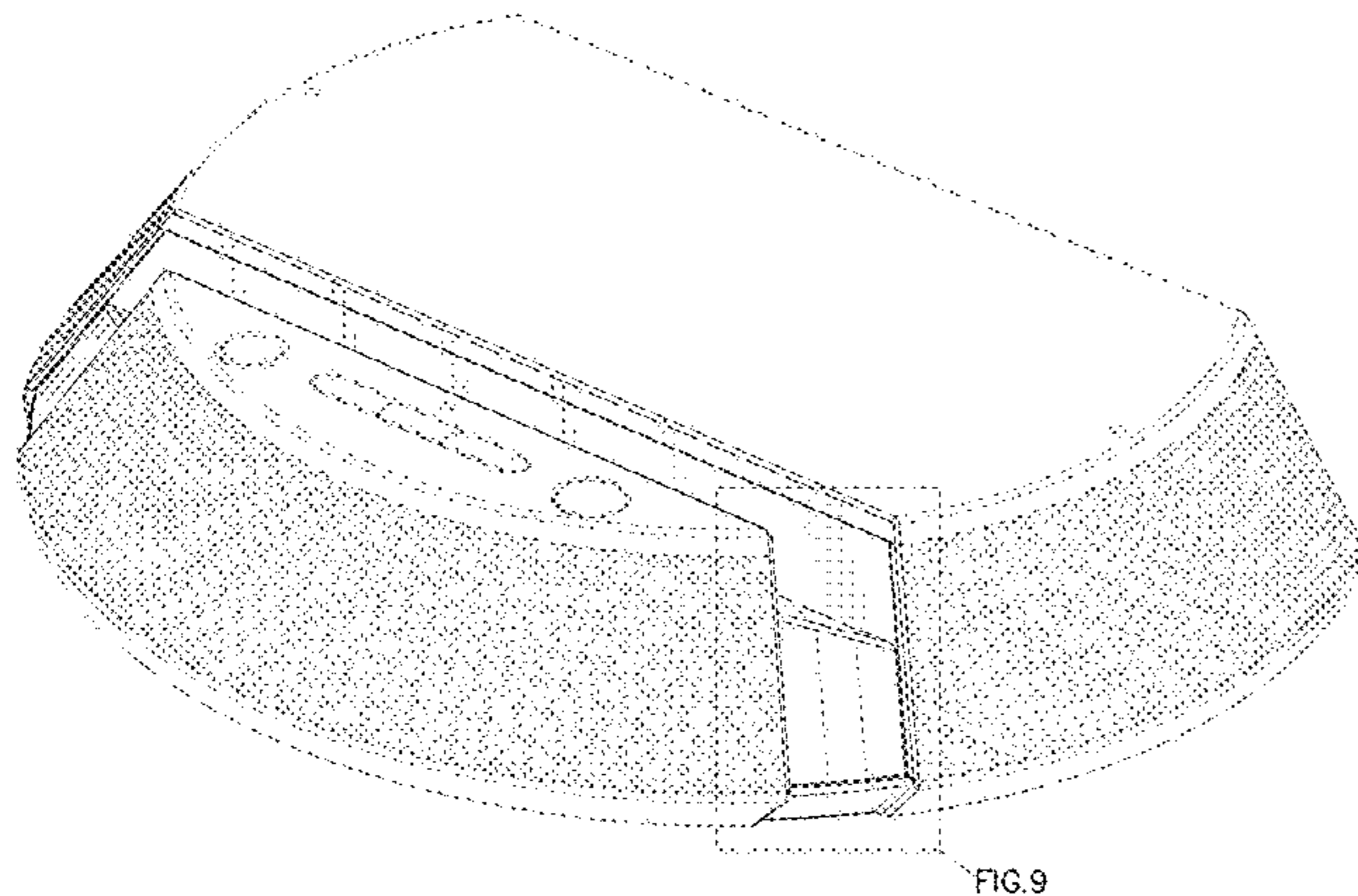
(57) **CLAIM**

The ornamental design for a dock of conference device, as shown and described.

DESCRIPTION

FIG. 1 is a perspective view of a dock of conference device showing out new design;
FIG. 2 is another perspective view thereof;
FIG. 3 is a front view thereof;
FIG. 4 is a rear view thereof;
FIG. 5 is a left side view thereof;
FIG. 6 is a right side view thereof;
FIG. 7 is a top view thereof;
FIG. 8 is a bottom view thereof;
FIG. 9 is an enlarged portion of FIG. 1;
FIG. 10 is an enlarged portion of FIG. 3;
FIG. 11 is an enlarged portion of FIG. 6;
FIG. 12 is an enlarged portion of FIG. 7;
FIG. 13 is an enlarged portion of FIG. 8; and,
FIG. 14 is another front side view thereof, shown reduced in scale, in use with an environmental tablet thereon; and,
FIG. 15 is top-side rear perspective view thereof, shown reduced in scale, in use with an environmental tablet and an environmental cable thereon.
The broken lines in FIGS. 14 and 15 showing the additional cable and tablet depict environmental structure only and form no part of the claim. The broken lines consisting of a long dash and two short dashes depict reference to the enlargements shown in the figures and form no part of the claim. All other broken lines depict portions of the conference device that form no part of the claimed design.

1 Claim, 13 Drawing Sheets



(58) **Field of Classification Search**

USPC ... D14/252, 253, 209.1, 217, 168, 172, 204,
D14/140, 142, 140.8, 171, 216; D13/107,
D13/108
CPC G06F 1/16; G06F 1/1616; G06F 1/1626;
G06F 1/1632; G06F 1/1675; G06F
1/1688; F16M 11/10; F16M 11/24; H05K
5/0234; H04M 1/04
See application file for complete search history.

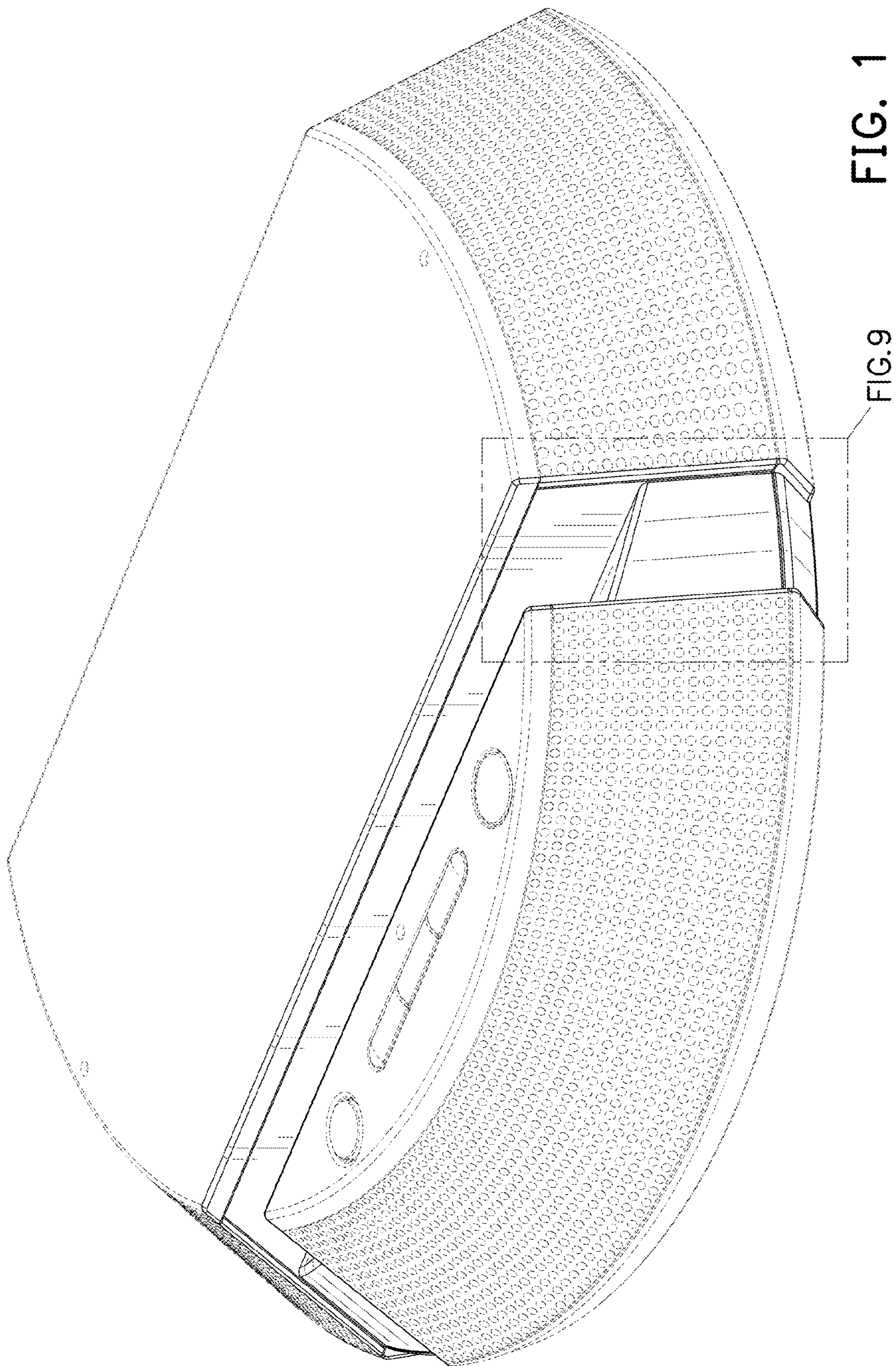
(56) **References Cited**

U.S. PATENT DOCUMENTS

D468,305 S * 1/2003 Ma D14/253
D474,735 S * 5/2003 Lee D13/108
D480,376 S * 10/2003 Ma D14/149
D507,794 S * 7/2005 Wang D14/434
D508,458 S * 8/2005 Solland D13/108
D538,787 S * 3/2007 Tsai D14/209.1
D553,122 S * 10/2007 Solland D14/217
D553,123 S * 10/2007 Solland D14/217
D558,207 S * 12/2007 Ikeda D14/434
D558,208 S * 12/2007 Ikeda D14/434
D558,209 S * 12/2007 Ikeda D14/434
D566,682 S * 4/2008 Marash D14/149
D575,275 S * 8/2008 Andre D14/217
D581,905 S * 12/2008 Solland D14/217
D590,101 S * 4/2009 Hsu D14/216
D592,863 S * 5/2009 Hoehn D6/310
D594,404 S * 6/2009 Kuo D13/107
D596,561 S * 7/2009 Chon D13/108
D598,003 S * 8/2009 Park D14/149
D601,544 S * 10/2009 Moeggenberg D14/209.1
D606,514 S * 12/2009 Ludlum D14/207
D607,435 S * 1/2010 Jiang D14/209.1
D625,291 S * 10/2010 Andre D14/217
D628,203 S * 11/2010 Noble D14/447
D632,249 S * 2/2011 Kuroda D13/108
D639,272 S * 6/2011 Chow D14/209.1
D639,275 S * 6/2011 Silvera D14/209.1
7,969,732 B1 * 6/2011 Noble F16M 11/041
248/917
D641,730 S * 7/2011 Oota D14/216
D642,157 S * 7/2011 Holzer D14/209.1
D645,843 S * 9/2011 Bolton D14/209.1
D647,080 S * 10/2011 Akana D14/217
D656,482 S * 3/2012 Colquhoun D14/209.1
D659,696 S * 5/2012 Lanza D14/447
D662,084 S * 6/2012 Akana D14/434
D666,204 S * 8/2012 Han D14/447

D668,662 S * 10/2012 Suiter D14/447
D671,546 S * 11/2012 Eberstein D14/447
D673,528 S * 1/2013 Trotsky D14/434
D675,154 S * 1/2013 Nam D13/108
D677,646 S * 3/2013 Kellar D14/149
D681,603 S * 5/2013 Kang D14/209.1
D687,011 S * 7/2013 Bolton D14/209.1
D687,012 S * 7/2013 Ryu D14/209.1
D687,013 S * 7/2013 Ryu D14/209.1
D691,086 S * 10/2013 Custon D13/108
D693,353 S * 11/2013 Shu D14/447
D695,268 S * 12/2013 Holzer D14/209.1
D697,051 S * 1/2014 Adams D14/209.1
D706,212 S * 6/2014 Zwierstra D13/107
D711,366 S * 8/2014 Lui D14/253
D713,380 S * 9/2014 Kim D14/209.1
D721,033 S * 1/2015 Fujioka D13/108
D723,000 S * 2/2015 Breines D14/209.1
D723,021 S * 2/2015 Guyot D14/253
D728,507 S * 5/2015 Brandis D14/149
D730,888 S * 6/2015 Malsan D14/253
D731,996 S * 6/2015 Border D14/150
D740,778 S * 10/2015 Ookawa D14/149
D743,924 S * 11/2015 Hillenmayer D14/142
D746,807 S * 1/2016 McGarry D14/253
D748,616 S * 2/2016 Noble D14/253
D757,730 S * 5/2016 Fletcher D14/434
D761,967 S * 7/2016 Tsai D24/186
D763,244 S * 8/2016 McGarry D14/253
D766,228 S * 9/2016 Haymond D14/252
D769,878 S * 10/2016 Fletcher D14/434
9,605,790 B1 * 3/2017 Alonzo G06F 1/1626
D788,076 S * 5/2017 Swendseid D14/217
D791,699 S * 7/2017 Watanabe D13/108
D797,669 S * 9/2017 Chang D13/108
D810,015 S * 2/2018 Carreon D13/108
D812,617 S * 3/2018 Bai D14/434
D816,030 S * 4/2018 Sumida D13/108
D829,684 S * 10/2018 Hardi D14/204
D845,304 S * 4/2019 Bishop D14/434
D853,326 S * 7/2019 Jun D13/108
D856,298 S * 8/2019 Border D14/150
2009/0075693 A1 * 3/2009 So H04M 1/04
455/556.1
2012/0001048 A1 * 1/2012 Takahashi H04M 1/04
248/346.03
2014/0135062 A1 * 5/2014 Bevirt H04M 1/04
455/556.1
2014/0232341 A1 * 8/2014 Ikegami H02J 7/0044
320/111

* cited by examiner



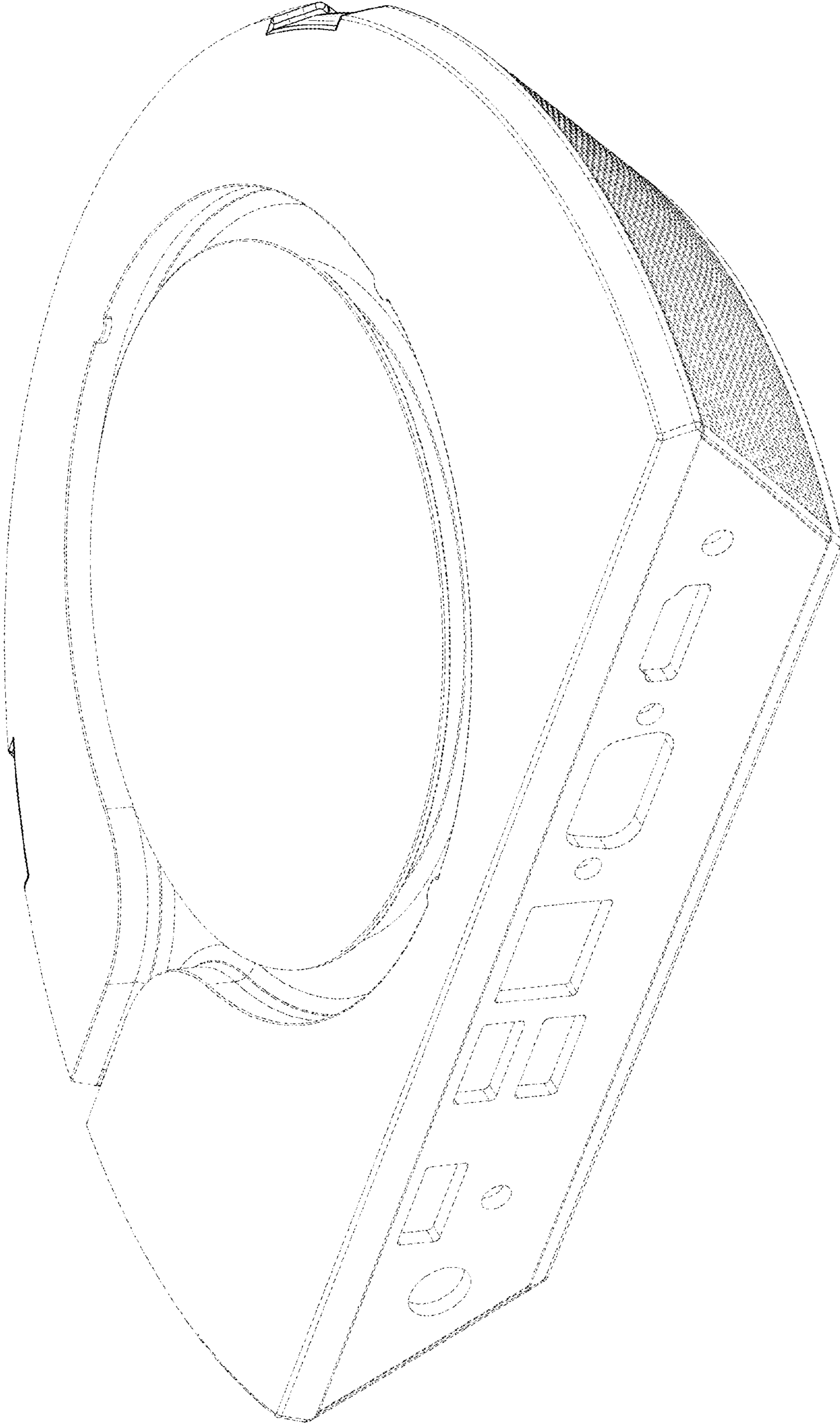


FIG. 2

FIG. 10

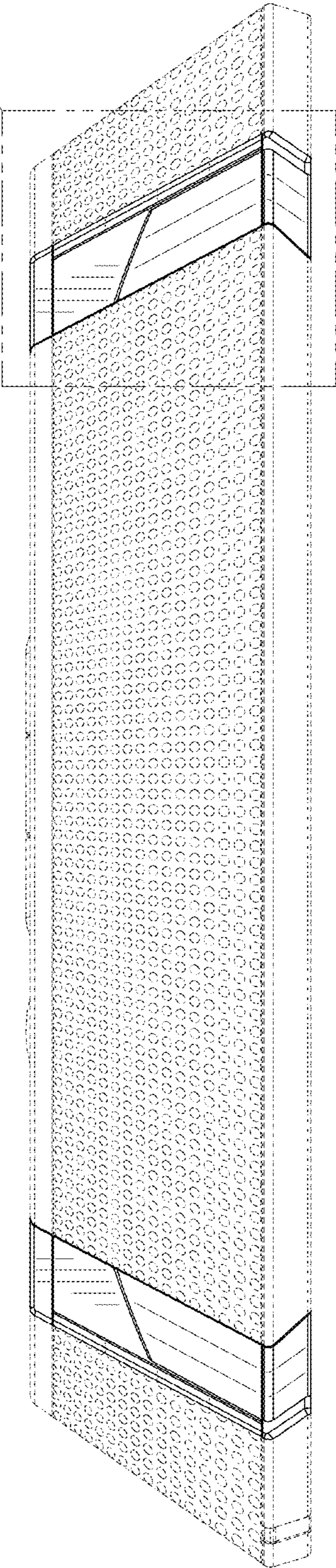


FIG. 3

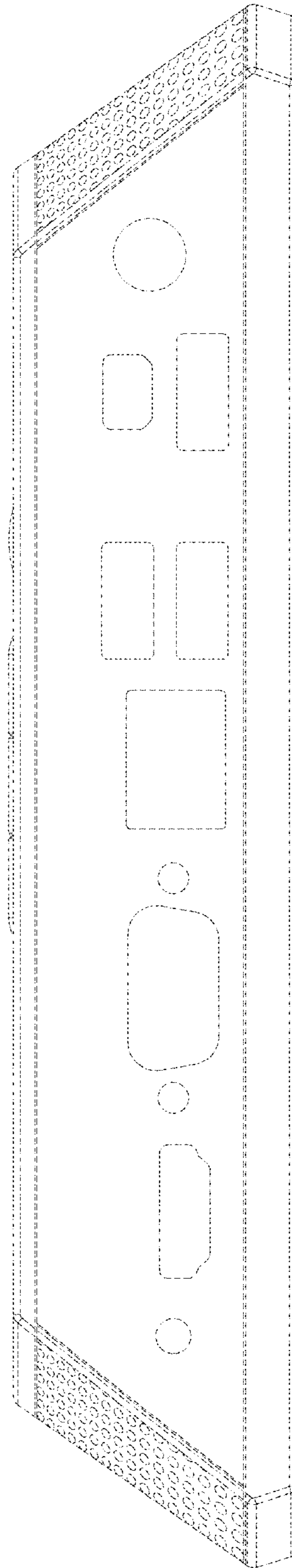


FIG. 4

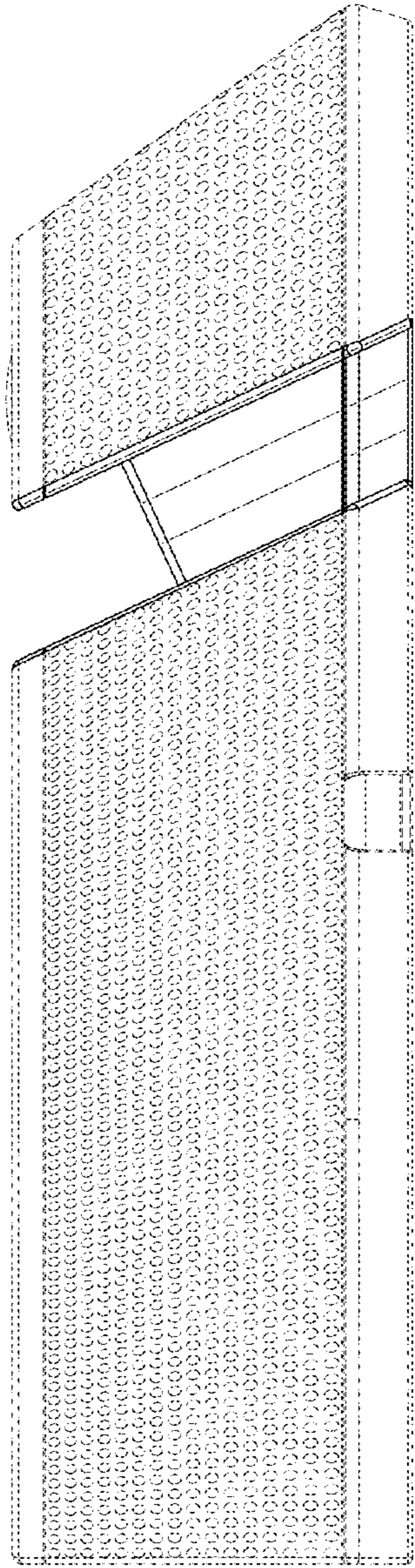


FIG. 5

FIG. 11

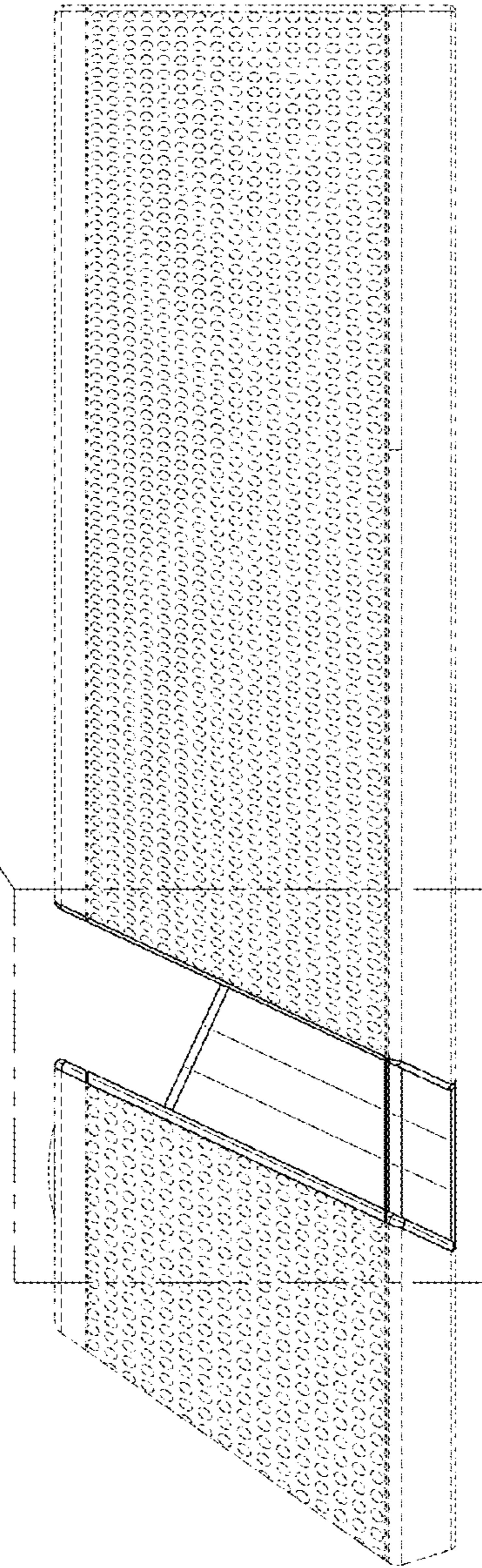


FIG. 6

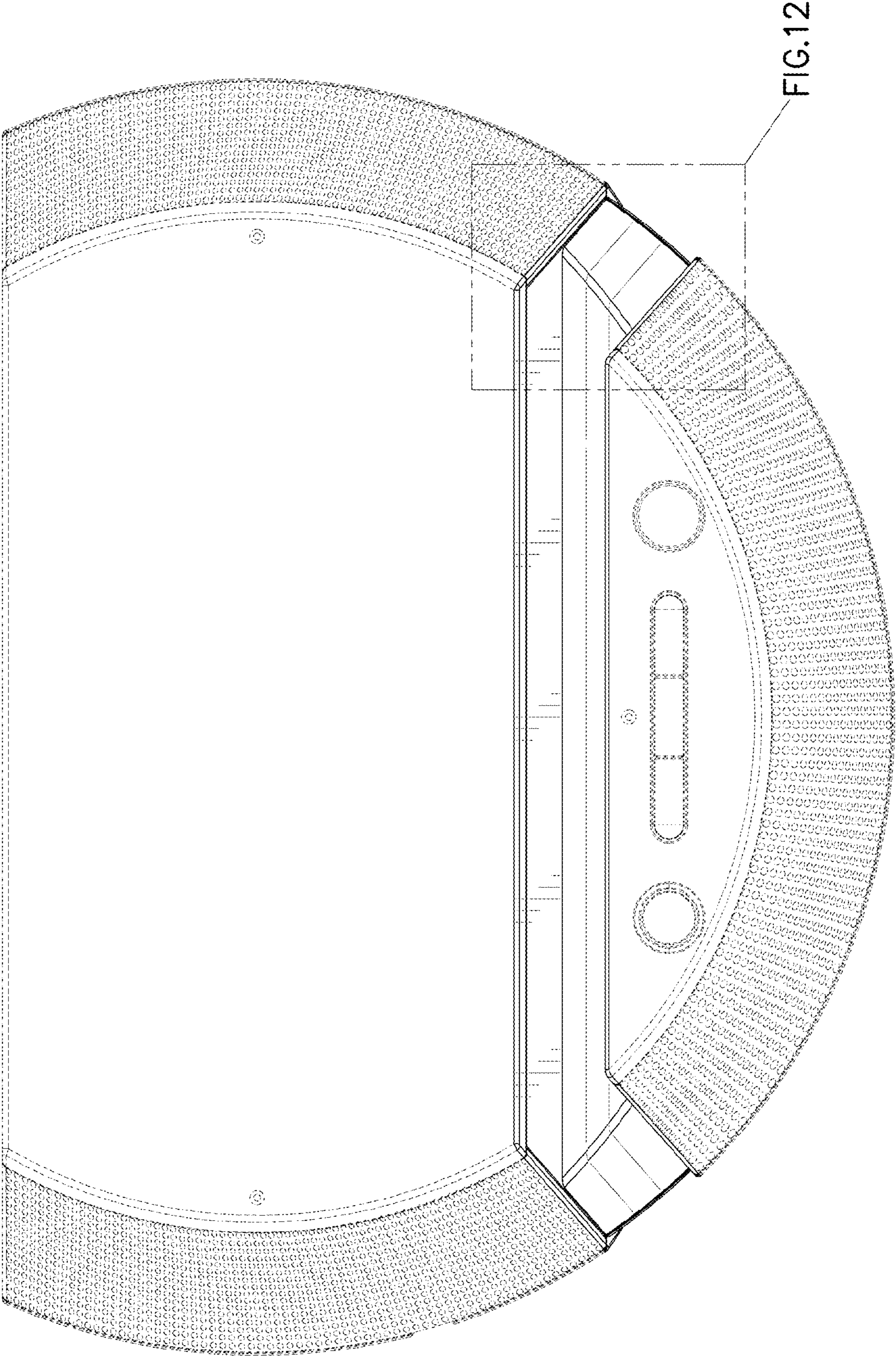


FIG. 7

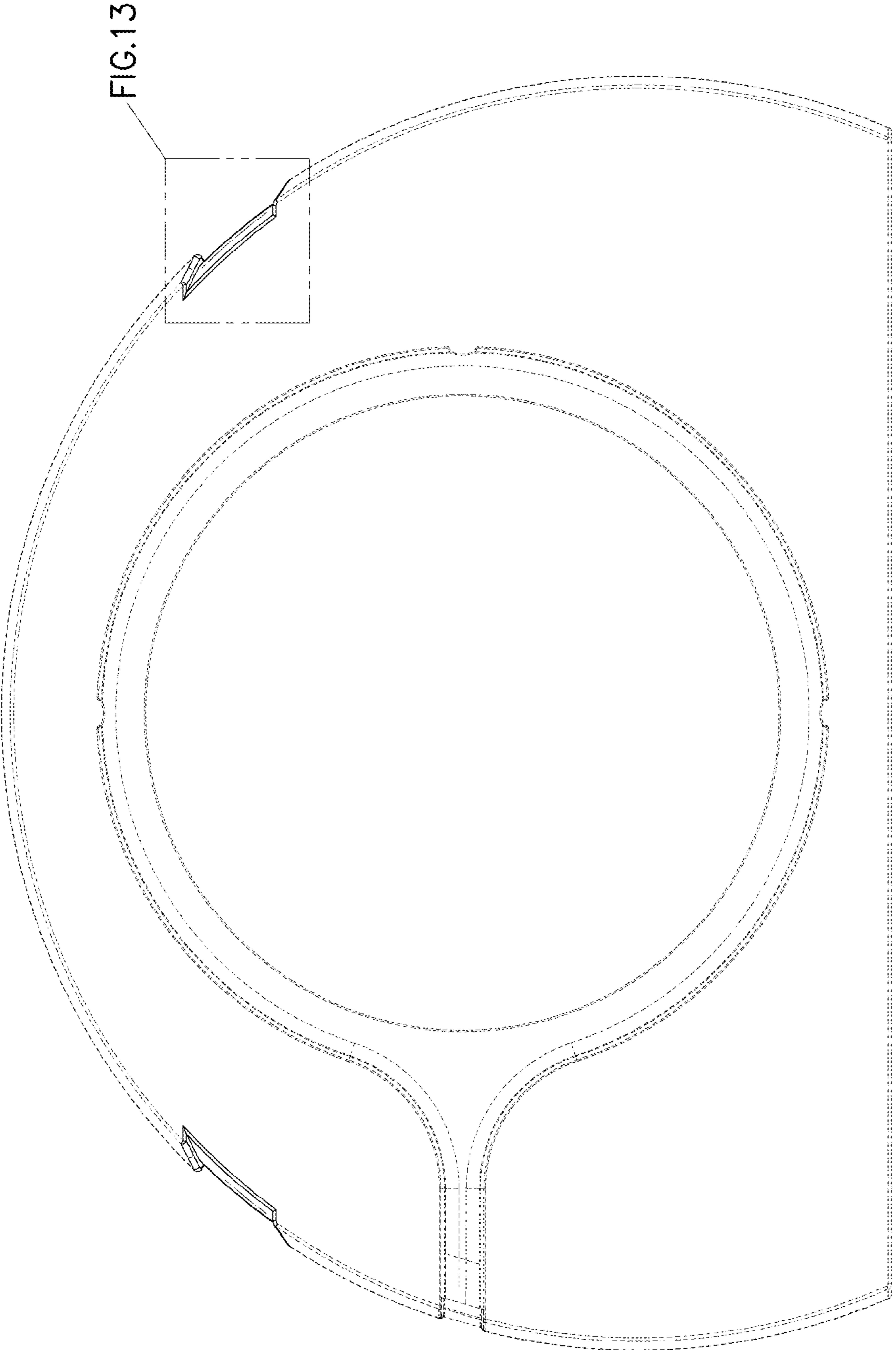


FIG. 13

FIG. 8

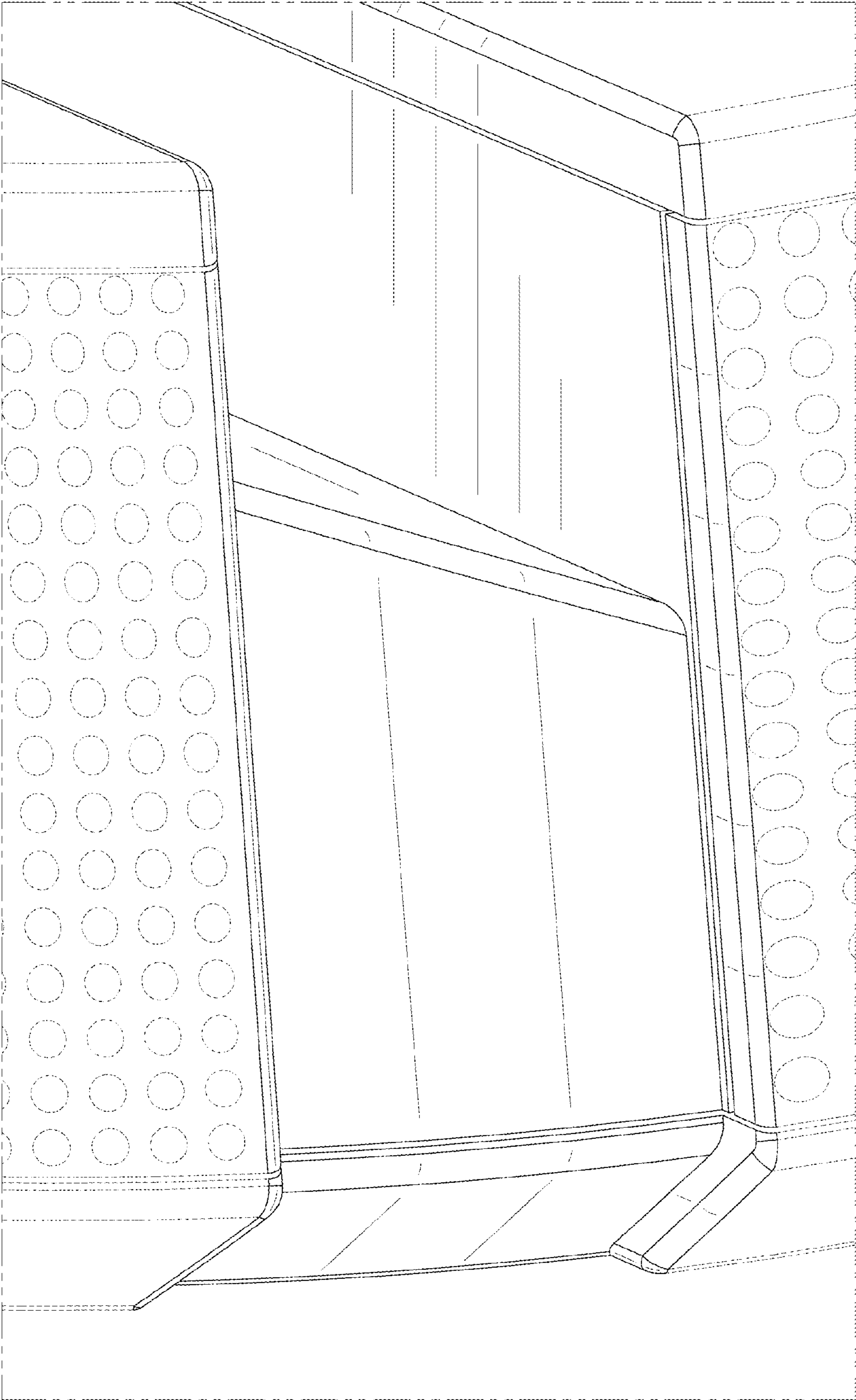


FIG. 9

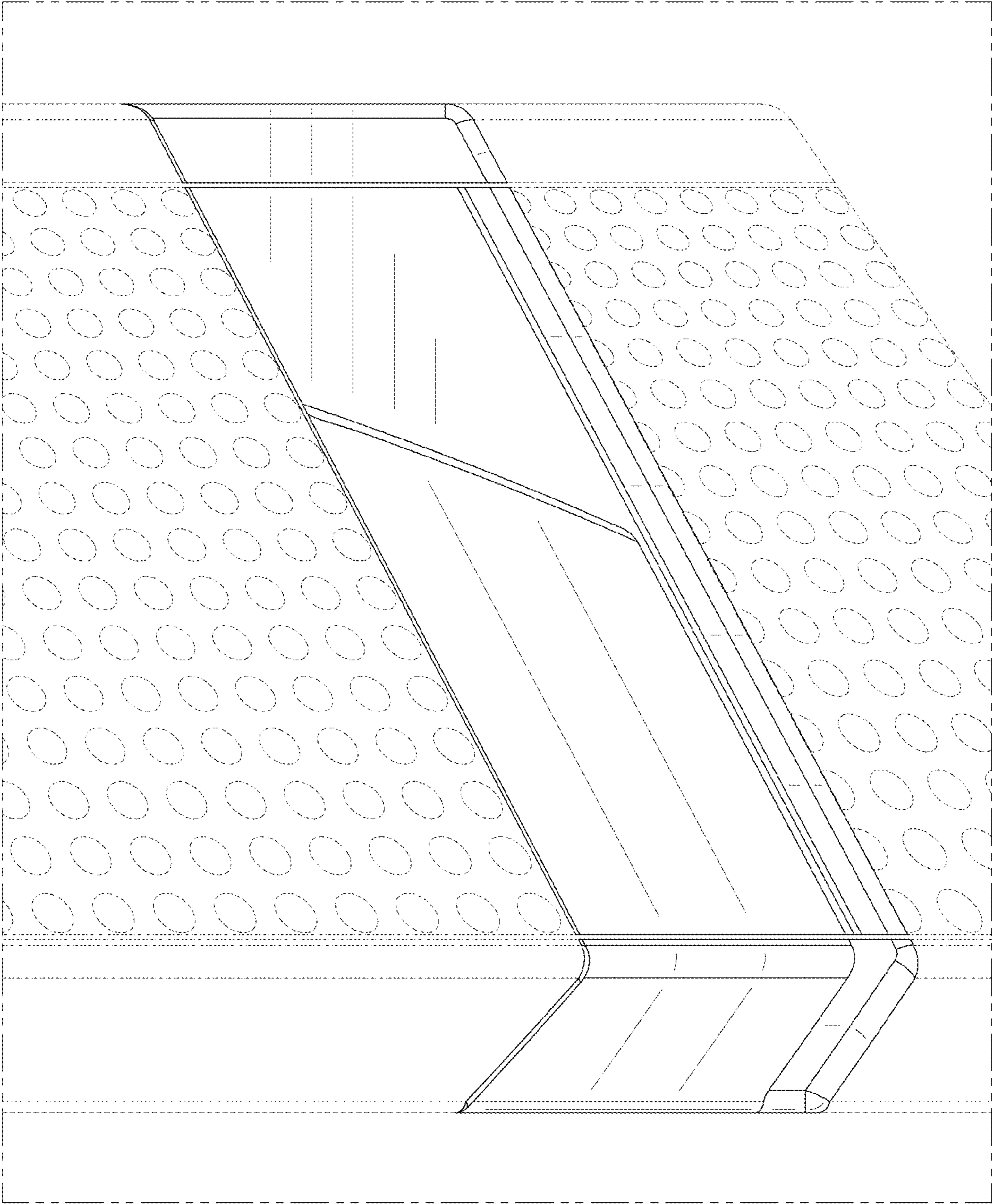


FIG. 10

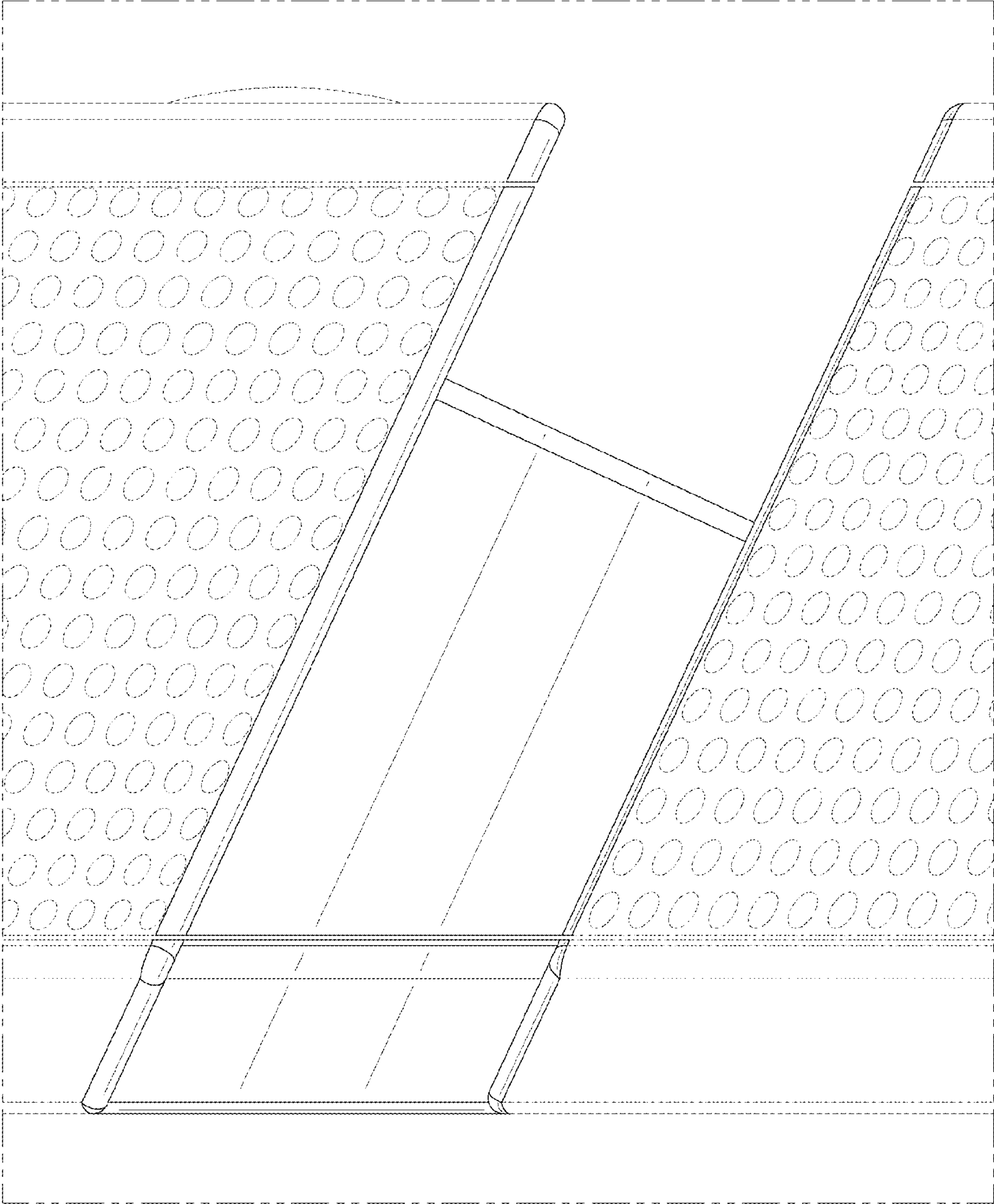


FIG. 11

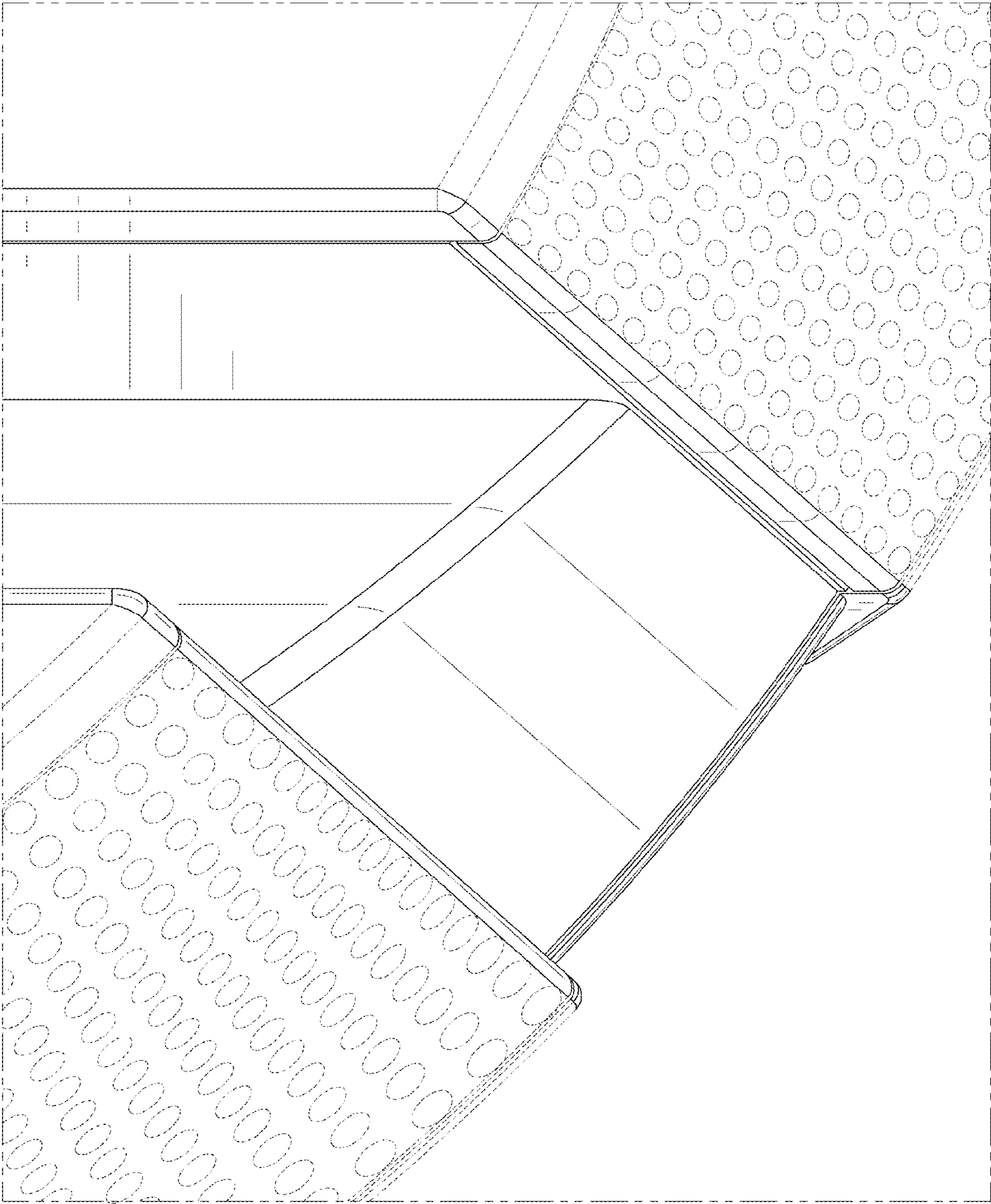


FIG. 12

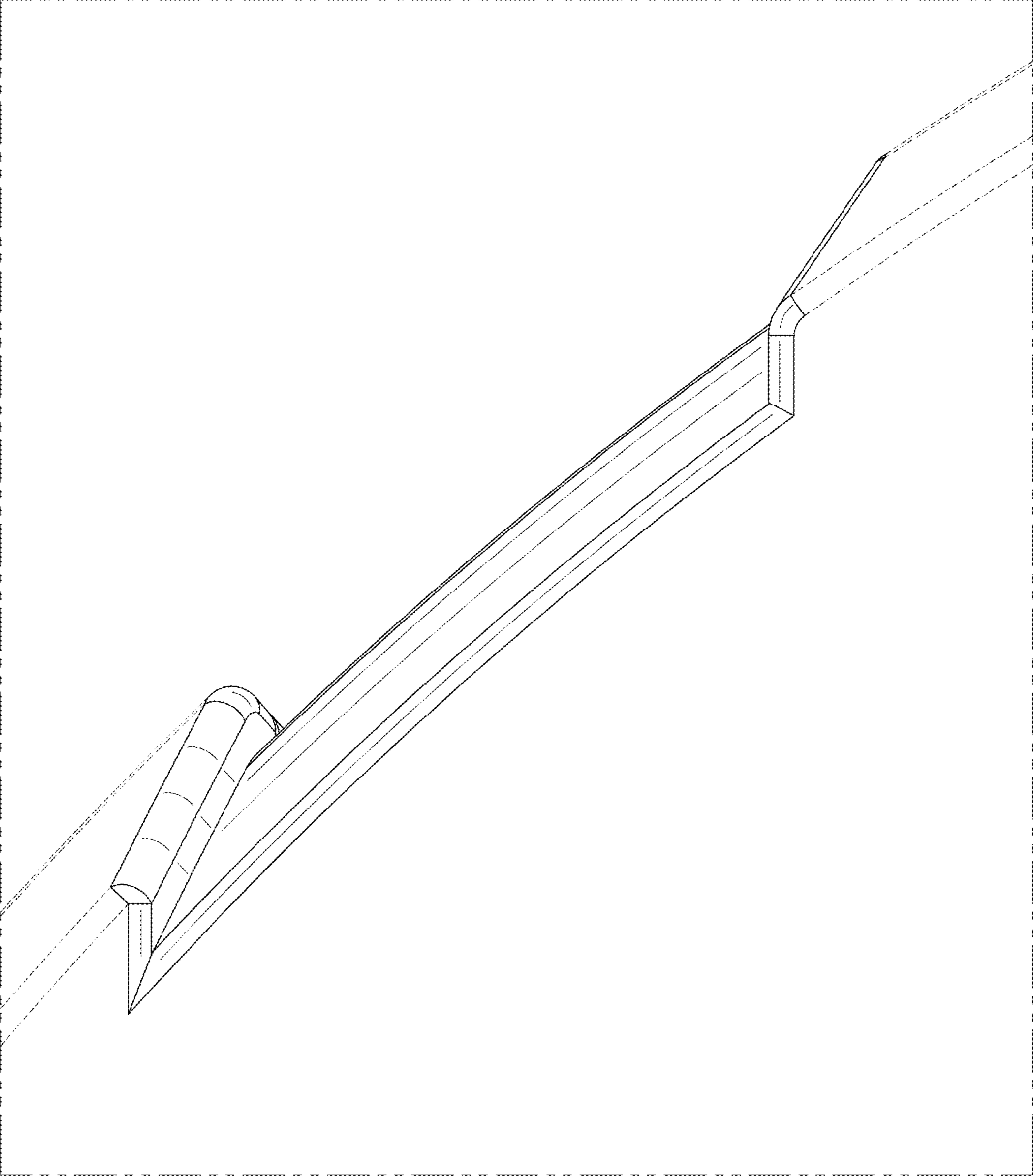


FIG. 13

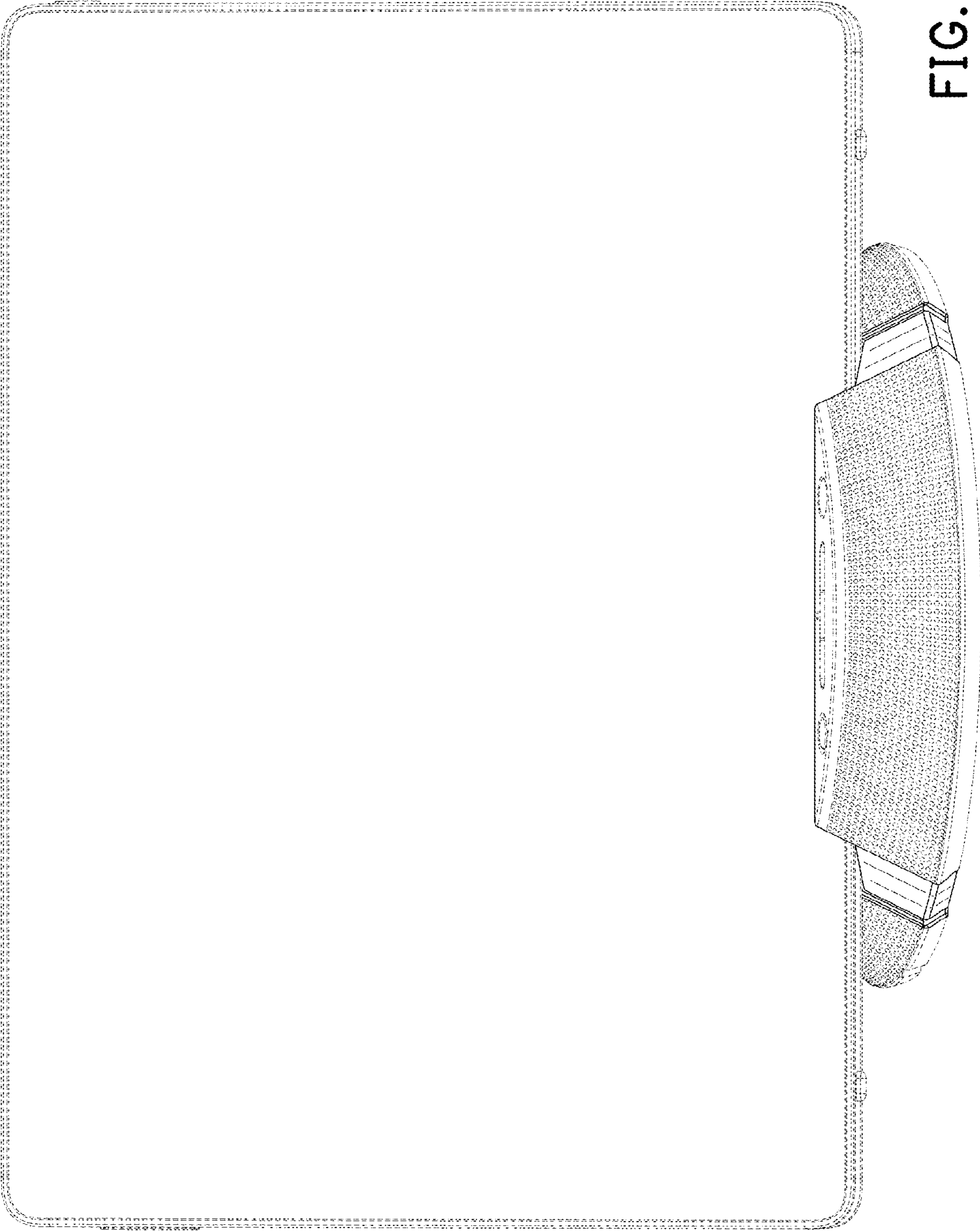


FIG. 14

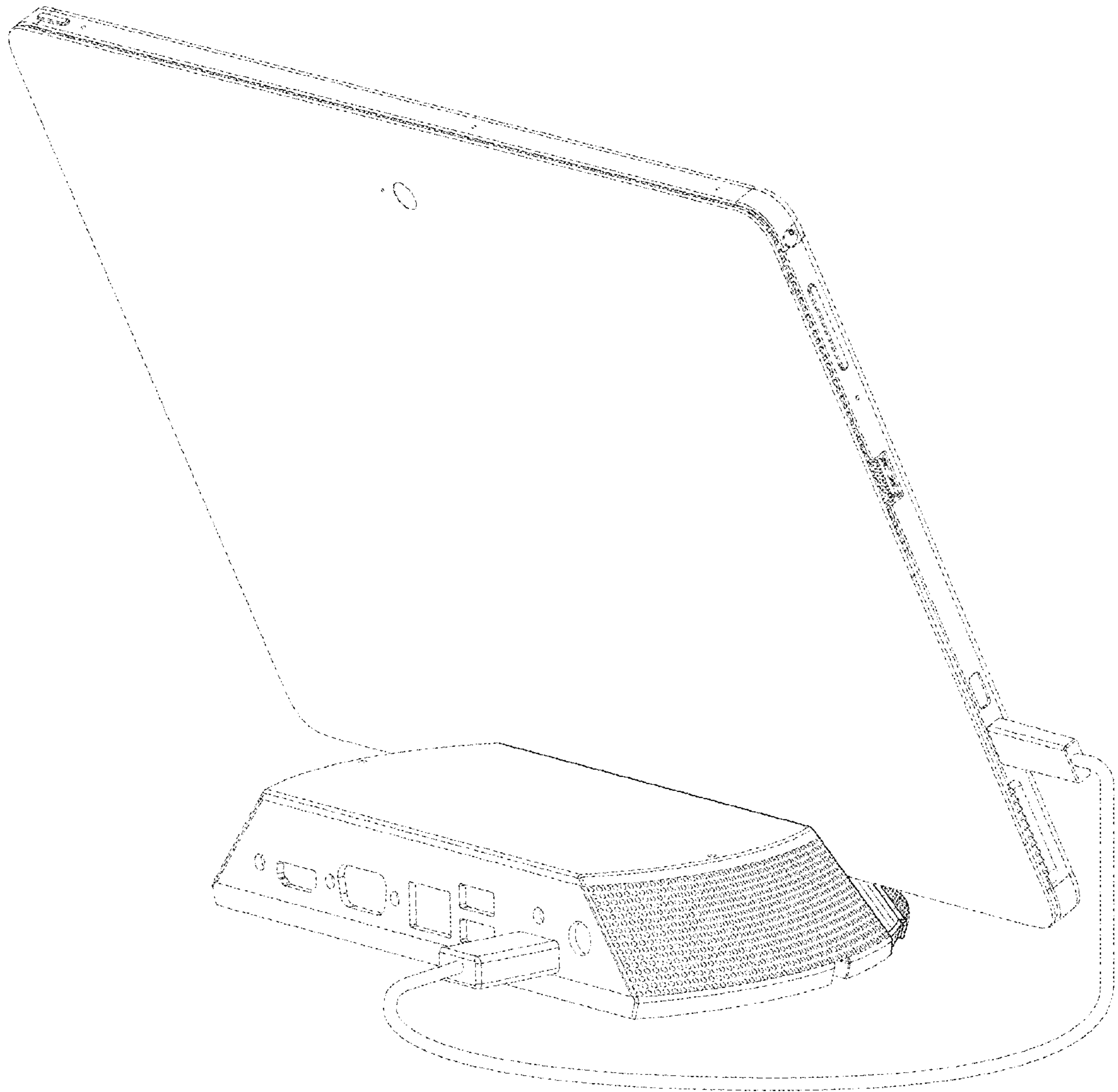


FIG. 15