



US00D868016S

(12) **United States Design Patent** (10) **Patent No.:** **US D868,016 S**  
**Zimmerman, III et al.** (45) **Date of Patent:** **\*\* Nov. 26, 2019**

(54) **SMALL CELL FOR MOUNTING ON A LIGHT POLE**

(71) Applicant: **Ubiquia LLC**, Wellington, FL (US)

(72) Inventors: **Ronald B. Zimmerman, III**, Wellington, FL (US); **Ian B. Aaron**, Wellington, FL (US)

(73) Assignee: **Ubiquia LLC**, Wellington, FL (US)

(\*\*) Term: **15 Years**

(21) Appl. No.: **29/637,774**

(22) Filed: **Feb. 21, 2018**

(51) **LOC (12) Cl.** ..... **14-03**

(52) **U.S. Cl.**  
USPC ..... **D14/140.6**

(58) **Field of Classification Search**  
USPC ..... D14/140, 140.1, 140.2, 140.3, 140.4, D14/140.5, 140.6, 142, 155, 168, 230, D14/233, 240, 242, 243, 255, 299, 496, D14/356, 358, 236; D13/123, 152, 154, D13/158, 184, 199, 101, 110, 111, 112,  
(Continued)

(56) **References Cited**

**U.S. PATENT DOCUMENTS**

D201,825 S \* 8/1965 Heenan ..... D10/114.8  
D214,706 S \* 7/1969 Kauffman ..... D10/114.2  
(Continued)

**OTHER PUBLICATIONS**

Top 3 wireless infrastructure service company trends—RCR Wireless News. [online image] 8 pgs. Uploaded Sep. 10, 2015. [Retrieved on Jun. 14, 2019] <https://www.rcrwireless.com/20150910/workforce/top-3-wireless-infrastructure-service-company-trends-inside-telecom-careers-episode-12-tag1#prettyPhoto>.  
(Continued)

*Primary Examiner* — Marie D. Fast Horse  
(74) *Attorney, Agent, or Firm* — Seed IP Law Group LLP

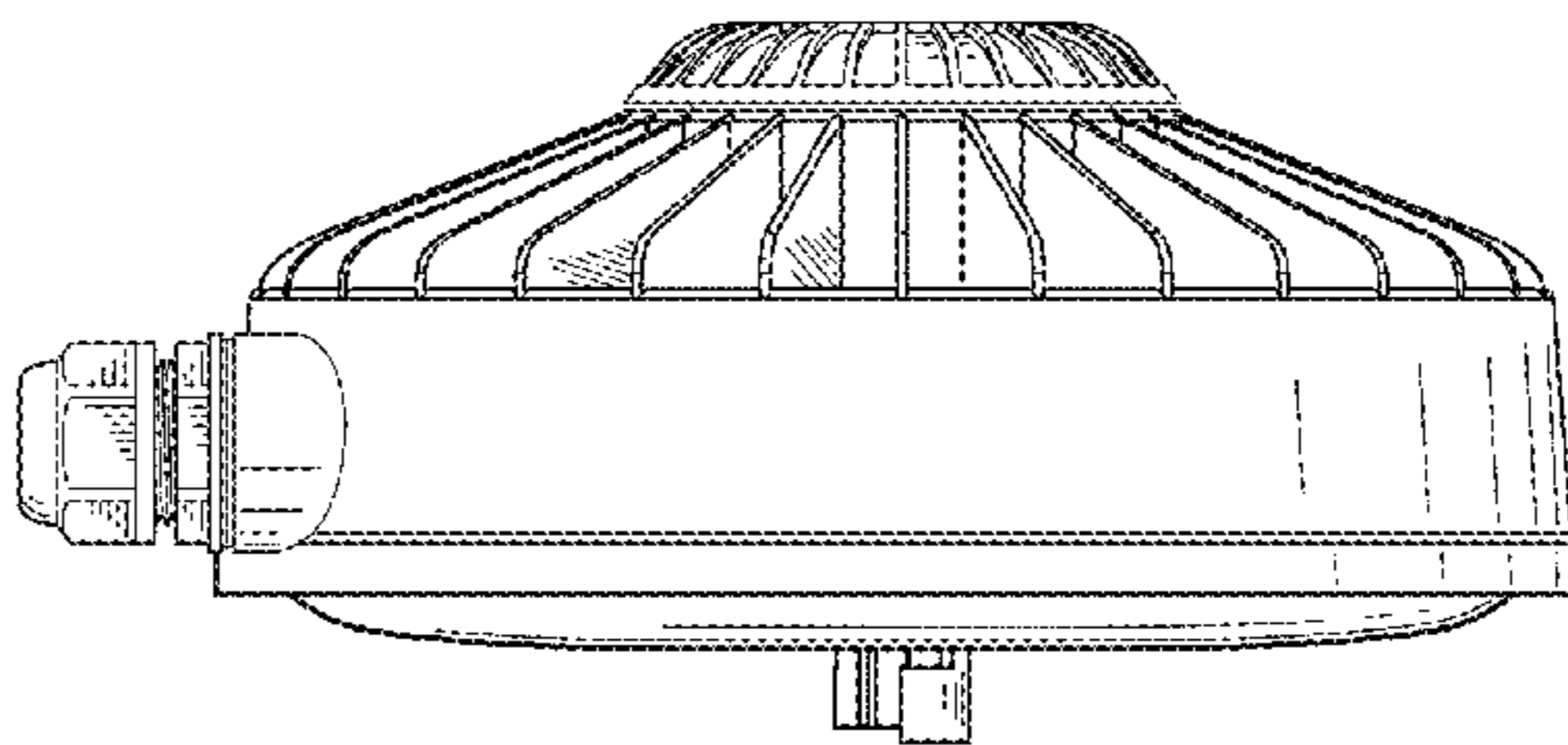
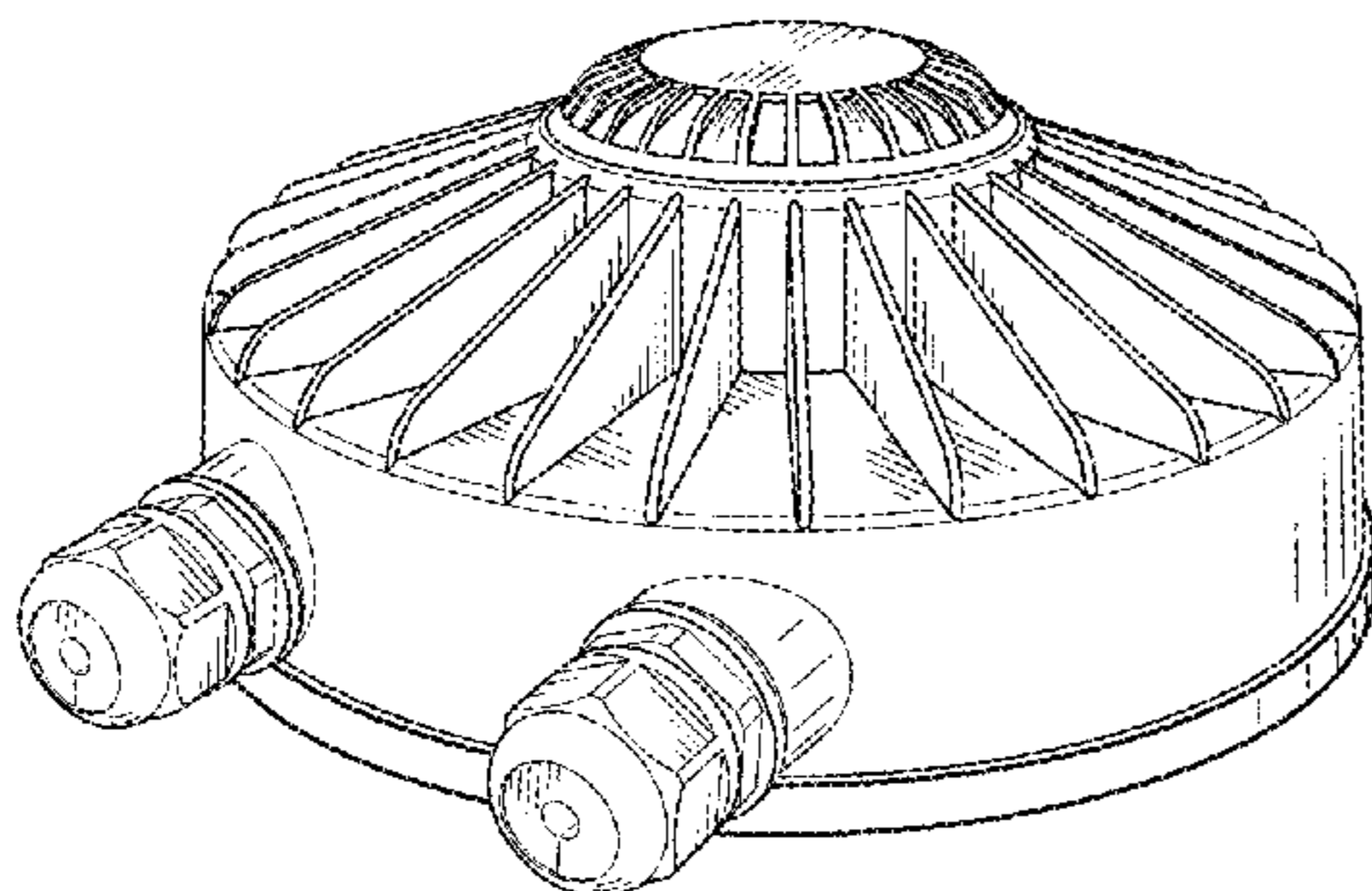
(57) **CLAIM**

The ornamental design for a small cell for mounting on a light pole, as shown and described.

**DESCRIPTION**

FIG. 1 is a perspective view of a small cell for mounting on a light pole showing a first embodiment of our new design. FIG. 2 is a top plan view thereof. FIG. 3 is a bottom plan view thereof. FIG. 4 is an enlarged scale partial cross-sectional view thereof, taken along line 4-4 of FIG. 3. FIG. 5 is a front elevational view thereof. FIG. 6 is a rear elevational view thereof. FIG. 7 is a left side elevational view thereof. FIG. 8 is a right side elevational view thereof. FIG. 9 is a perspective view of a small cell for mounting on a light pole showing a second embodiment of our new design. FIG. 10 is a top plan view thereof. FIG. 11 is a bottom plan view thereof. FIG. 12 is an enlarged scale partial cross-sectional view thereof, taken along line 12-12 of FIG. 11. FIG. 13 is a front elevational view thereof. FIG. 14 is a rear elevational view thereof. FIG. 15 is a left side elevational view thereof; and, FIG. 16 is a right side elevational view thereof. The dot-dash broken lines in FIGS. 3 and 11 define the boundary of the claim, which extends to the boundary but does not include the boundary; while all other broken lines depict portions of the small cell for mounting on a light pole that form no part of the claimed design. Shading lines shown in the drawings are intended to represent the approximate three-dimensional contour of the design and are not intended to indicate surface decoration.

**1 Claim, 8 Drawing Sheets**



(58) **Field of Classification Search**

USPC ..... D13/114, 160; D10/46, 75, 103, 104.1,  
 D10/121, 106.1, 106.6, 106.3, 109.1,  
 D10/109.2, 111, 114.1, 114.2, 114.6,  
 D10/114.8; D26/72, 80, 81, 85, 88, 67,  
 D26/68-71, 113, 138  
 CPC .... F21S 8/006; F21S 8/08; F21S 8/081; F21S  
 8/032; F21S 8/085; F21S 8/086; F21S  
 8/088; F21S 9/03; F21S 9/032; F21S  
 9/035; F21S 9/037; F21V 23/04; F21V  
 23/0435; F21W 2131/109; H04W 88/08;  
 H04W 16/24; H04W 8/245; H04W  
 84/042; H04W 84/045; H04W 84/047;  
 H04M 1/72522; H04M 1/72525

See application file for complete search history.

(56) **References Cited**

U.S. PATENT DOCUMENTS

D227,785 S \* 7/1973 Kaysen ..... D14/233  
 D237,369 S \* 10/1975 Lowndes ..... D10/114.8  
 D239,517 S \* 4/1976 Lowndes ..... D10/114.8  
 D242,778 S \* 12/1976 Goble ..... D10/106.6  
 D242,779 S \* 12/1976 Goble ..... D10/106.6  
 D242,942 S \* 1/1977 Brudy ..... D10/111  
 4,503,360 A \* 3/1985 Bedel ..... H01J 61/34  
 313/19  
 D286,988 S \* 12/1986 Akiyama ..... D10/114.8  
 4,804,972 A \* 2/1989 Schudel ..... H01Q 1/42  
 343/840  
 D310,064 S \* 8/1990 Cheng ..... D13/151  
 D311,540 S \* 10/1990 Wickrema ..... D14/233  
 D327,691 S \* 7/1992 Ogawa ..... D14/230  
 D333,661 S \* 3/1993 Elliott ..... D14/236  
 D336,864 S \* 6/1993 Gottlieb ..... D10/109.2  
 D346,170 S \* 4/1994 Tang ..... D14/230  
 D347,436 S \* 5/1994 Tang ..... D14/230  
 D349,256 S \* 8/1994 Bellinger ..... D10/114.2  
 D390,566 S \* 2/1998 Martek ..... D14/230  
 D401,175 S \* 11/1998 Bender ..... D10/106.6  
 D402,991 S \* 12/1998 Mosser ..... D14/230  
 D404,325 S \* 1/1999 Bender ..... D10/106.6  
 D404,326 S \* 1/1999 Bender ..... D10/106.6  
 D411,640 S \* 6/1999 Lueken ..... D10/113.1  
 D412,676 S \* 8/1999 Layes ..... D10/106.6  
 D436,101 S \* 1/2001 McGovern ..... D14/140.5  
 D437,243 S \* 2/2001 Cessac ..... D10/104.1  
 D440,890 S \* 4/2001 Warner ..... D10/65  
 D442,947 S \* 5/2001 Warner ..... D14/230  
 D453,329 S \* 2/2002 Muramatsu ..... D14/230  
 D455,735 S \* 4/2002 Winslow ..... D14/240  
 D457,518 S \* 5/2002 Wilson ..... 343/749  
 D462,070 S \* 8/2002 Wilson ..... D14/233  
 D462,675 S \* 9/2002 Kusz ..... D14/140.6  
 D466,496 S \* 12/2002 McDonald ..... D14/230  
 D467,242 S \* 12/2002 Warner ..... D14/230  
 D468,731 S \* 1/2003 Wilson ..... D14/234  
 D486,146 S \* 2/2004 Dearnley ..... D14/230  
 D493,169 S \* 7/2004 Cheng ..... D14/357  
 D493,447 S \* 7/2004 Noro ..... D14/230  
 D513,477 S \* 1/2006 Heftman ..... D10/111  
 D519,860 S \* 5/2006 Bugbee ..... D10/47  
 D525,231 S \* 7/2006 McMillen ..... D14/149  
 D531,626 S \* 11/2006 Agrawal ..... D14/233  
 D543,540 S \* 5/2007 Westerling ..... D14/230  
 D543,975 S \* 6/2007 McCown ..... D14/230  
 D544,805 S \* 6/2007 Corrigan ..... D10/111  
 D550,659 S \* 9/2007 Noro ..... D14/230  
 D557,260 S \* 12/2007 Westerling ..... D14/230  
 D560,533 S \* 1/2008 Dueker ..... D10/109.1  
 D566,698 S \* 4/2008 Choi ..... D14/240  
 D570,722 S \* 6/2008 Taylor ..... D10/114.8  
 D591,888 S \* 5/2009 Gill ..... D26/71  
 D591,889 S \* 5/2009 Gill ..... D26/71

D591,890 S \* 5/2009 Gill ..... D26/71  
 D591,891 S \* 5/2009 Gill ..... D26/71  
 D591,892 S \* 5/2009 Gill ..... D26/71  
 D592,088 S \* 5/2009 Miller ..... D10/114.8  
 D592,345 S \* 5/2009 Gill ..... D26/71  
 D592,346 S \* 5/2009 Gill ..... D26/71  
 D592,650 S \* 5/2009 Tsang ..... D14/242  
 D598,316 S \* 8/2009 Kuwano ..... D10/114.8  
 D601,053 S \* 9/2009 Ferrie ..... D10/114.8  
 D604,279 S \* 11/2009 Chen ..... D14/230  
 D605,965 S \* 12/2009 Jackson ..... D10/109.1  
 D608,232 S \* 1/2010 Duran Neira ..... D10/107  
 D608,673 S \* 1/2010 Arosio ..... D10/111  
 D612,760 S \* 3/2010 Chen ..... D10/114.8  
 D616,777 S \* 6/2010 Jackson ..... D10/114.5  
 D619,992 S \* 7/2010 Wayman ..... D14/140.5  
 D621,812 S \* 8/2010 Wayman ..... D14/140.5  
 D622,709 S \* 8/2010 Hem ..... D14/230  
 D623,633 S \* 9/2010 Bliss ..... D14/233  
 D624,448 S \* 9/2010 Jackson ..... D10/114.8  
 D626,442 S \* 11/2010 Jackson ..... D10/114.8  
 D627,911 S \* 11/2010 Mo ..... D26/119  
 D634,308 S \* 3/2011 Bliss ..... D14/233  
 D638,001 S \* 5/2011 Nakhjiri ..... D14/242  
 D641,647 S \* 7/2011 Wu ..... D10/111  
 D647,812 S \* 11/2011 Kuwano ..... D10/114.1  
 D648,241 S \* 11/2011 Kuwano ..... D10/114.1  
 D650,115 S \* 12/2011 Kim ..... D26/118  
 D650,513 S \* 12/2011 Blincoe ..... D26/118  
 D651,110 S \* 12/2011 Kuwano ..... D10/114.1  
 D651,111 S \* 12/2011 Kuwano ..... D10/114.1  
 D651,112 S \* 12/2011 Kuwano ..... D10/114.1  
 D651,113 S \* 12/2011 Kuwano ..... D10/114.1  
 D652,334 S \* 1/2012 Kuwano ..... D10/114.1  
 D666,583 S \* 9/2012 Le ..... D14/230  
 D668,981 S \* 10/2012 Hsiao ..... D10/114.2  
 D668,982 S \* 10/2012 Hsiao ..... D10/114.2  
 D674,787 S \* 1/2013 Tsuda ..... D14/240  
 D674,788 S \* 1/2013 Tsuda ..... D14/240  
 D680,893 S \* 4/2013 Adams ..... D10/114.1  
 D684,078 S \* 6/2013 Clifford ..... D10/114.2  
 D690,450 S \* 9/2013 Guercio ..... D26/72  
 D694,740 S \* 12/2013 Apostolakis ..... D14/240  
 D696,642 S \* 12/2013 Jia ..... D14/155  
 D701,466 S \* 3/2014 Clifford ..... D10/114.2  
 D706,152 S \* 6/2014 Ni ..... D10/106.6  
 D709,782 S \* 7/2014 Stuffle ..... D10/114.1  
 D713,092 S \* 9/2014 Smith ..... D26/118  
 D713,816 S \* 9/2014 Fleetwood ..... D14/155  
 D720,247 S \* 12/2014 Covelli ..... D10/114.2  
 D729,214 S \* 5/2015 Beaudoin ..... D14/230  
 D733,107 S \* 6/2015 Porter ..... D14/240  
 D744,985 S \* 12/2015 Schulz ..... D14/230  
 D744,986 S \* 12/2015 Huerta ..... D14/230  
 D749,974 S \* 2/2016 Hoßbach ..... D10/114.2  
 D751,534 S \* 3/2016 Lenz ..... D14/230  
 D757,588 S \* 5/2016 Stuffle ..... D10/114.1  
 9,362,629 B2 \* 6/2016 Hinman ..... H01Q 19/13  
 D772,206 S \* 11/2016 Lasier ..... D14/230  
 D772,850 S \* 11/2016 Safstrom ..... D14/233  
 D790,514 S \* 6/2017 Woodward ..... D10/65  
 D791,109 S \* 7/2017 Wallace ..... D14/233  
 D794,635 S \* 8/2017 Nimre ..... D14/230  
 D806,691 S \* 1/2018 Andersson ..... D14/240  
 D817,914 S \* 5/2018 Britz ..... D14/140.6  
 D823,839 S \* 7/2018 Emery ..... D14/230  
 D829,696 S \* 10/2018 Wallace ..... D14/233  
 D833,312 S \* 11/2018 Alonso ..... D10/114.1  
 D844,581 S \* 4/2019 Zhou ..... D14/142  
 2014/0155054 A1 \* 6/2014 Henry ..... H04W 24/02  
 455/422.1  
 2015/0124100 A1 \* 5/2015 McRory ..... F21S 8/085  
 348/151  
 2018/0045388 A1 \* 2/2018 McDowell ..... F21S 8/086  
 2018/0172229 A1 \* 6/2018 Lockwood ..... F21S 8/086  
 2018/0172243 A1 \* 6/2018 Clynne ..... H04W 84/18  
 2018/0279445 A1 \* 9/2018 Harwood ..... F21V 23/026

(56)

**References Cited**

U.S. PATENT DOCUMENTS

2018/0292056 A1\* 10/2018 Kim ..... F21V 27/02  
2018/0323503 A1\* 11/2018 Bouchard ..... F21S 8/086

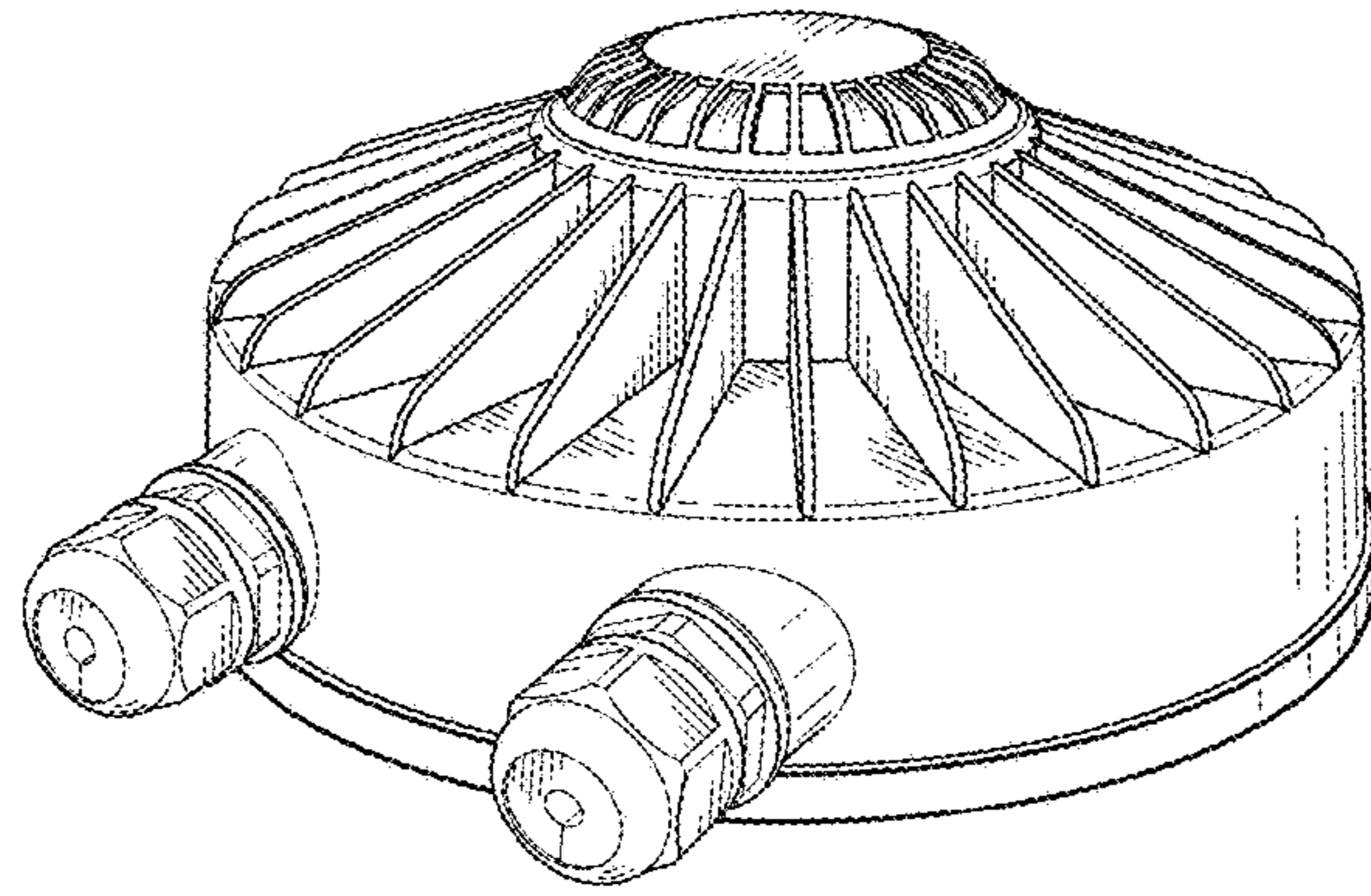
OTHER PUBLICATIONS

Smart Lighting—Ubicell. ubicquia.com. [online image] 1 pg. Uploaded Jan. 2019. [Retrieved on Jun. 14, 2019] [http://www.ubicquia.com/wp-content/uploads/2019/01/wordpress\\_product\\_ubicell.png](http://www.ubicquia.com/wp-content/uploads/2019/01/wordpress_product_ubicell.png).\*

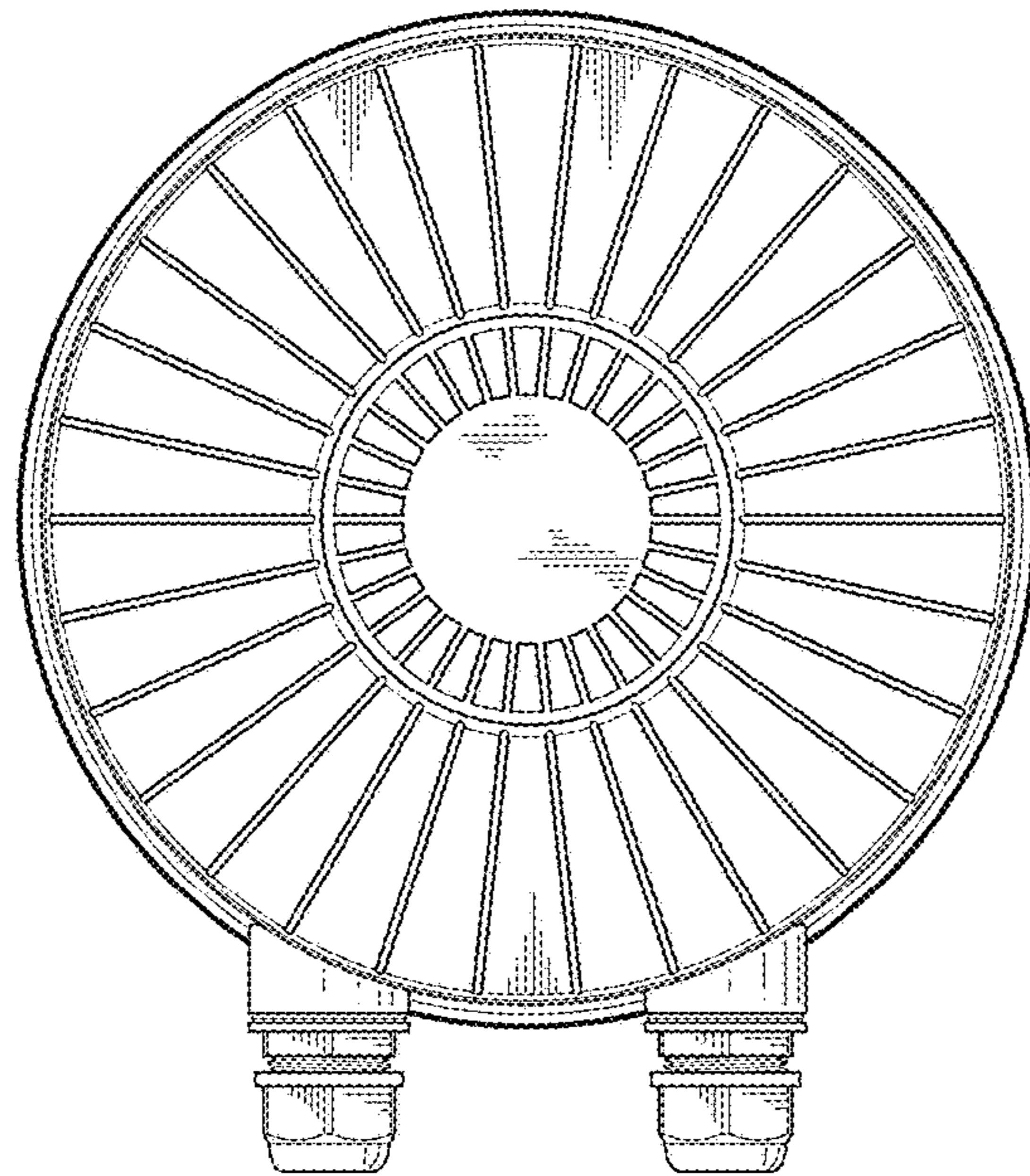
Smart Connectivity—Ubicell. ubicquia.com. [online image] 1 pg. Uploaded Jan. 2019. [Retrieved on Jun. 14, 2019] [http://www.ubicquia.com/wp-content/uploads/2019/01/wordpress\\_product\\_ubihub.png](http://www.ubicquia.com/wp-content/uploads/2019/01/wordpress_product_ubihub.png).\*

ubicellL—ubihub—ubimetro. Facebook.com. [online image] 1 pg. Uploaded Feb. 26, 2018. [Retrieved on Jun. 14, 2019] <https://www.facebook.com/ubicquia/photos/a.367486246971918/542412166145991/?type=3&theater>.\*

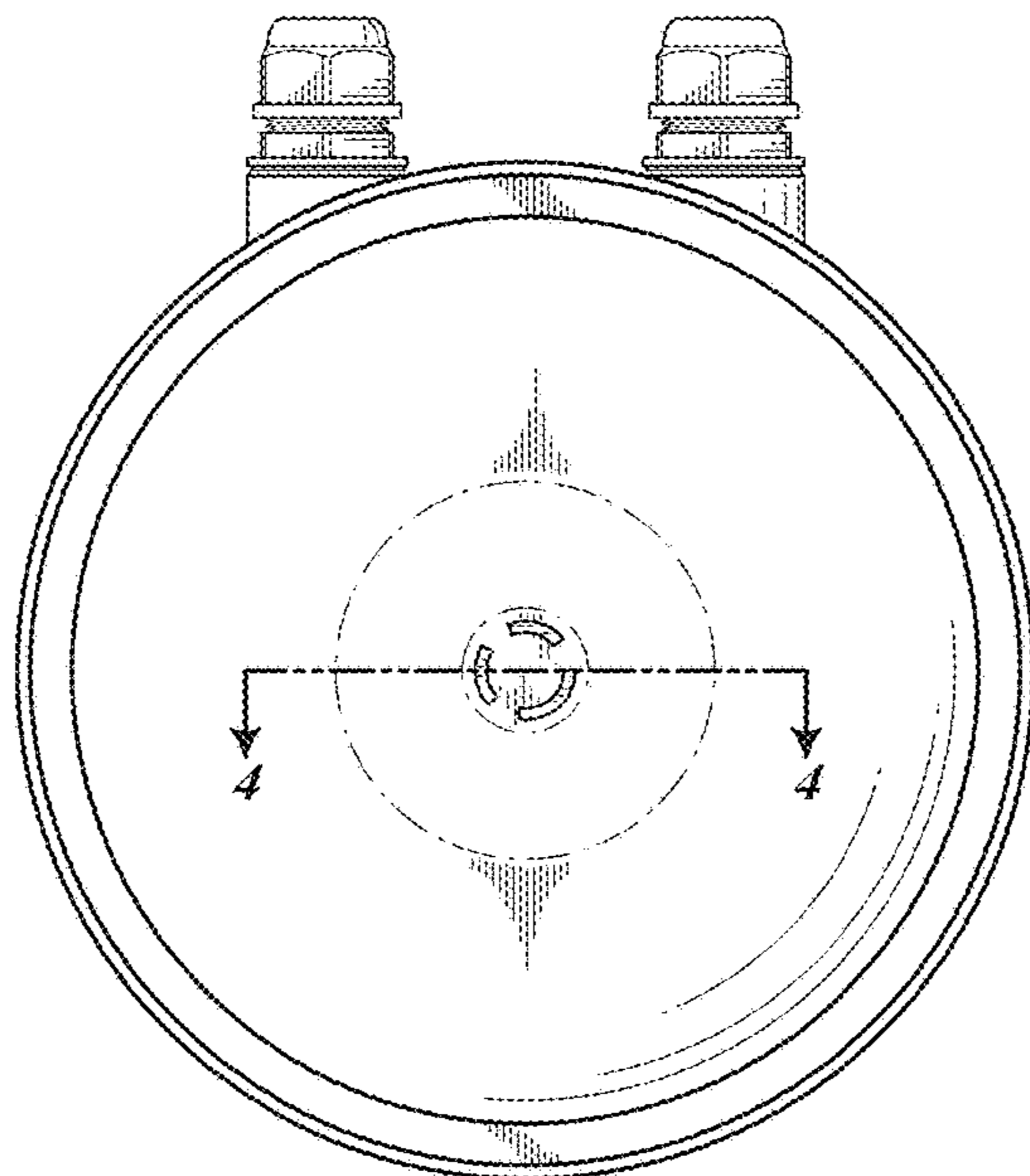
\* cited by examiner



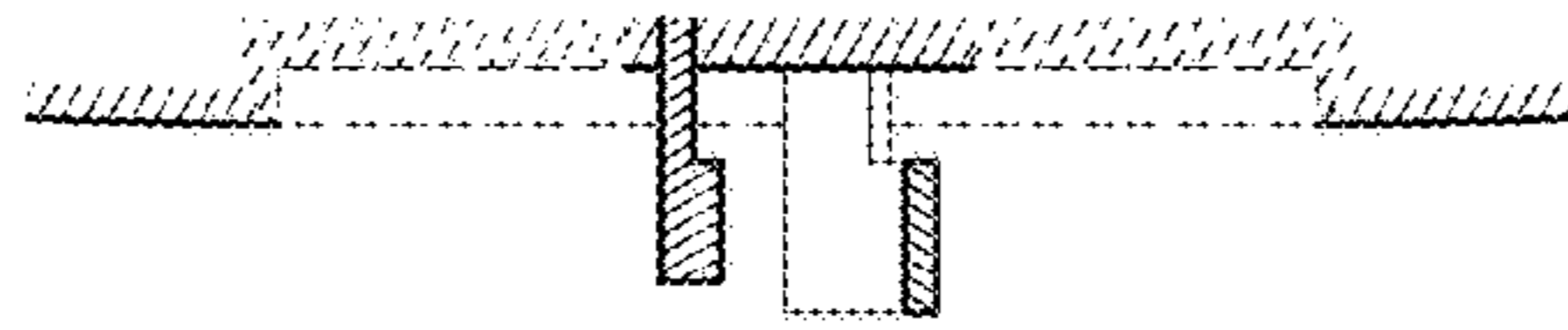
***FIG. 1***



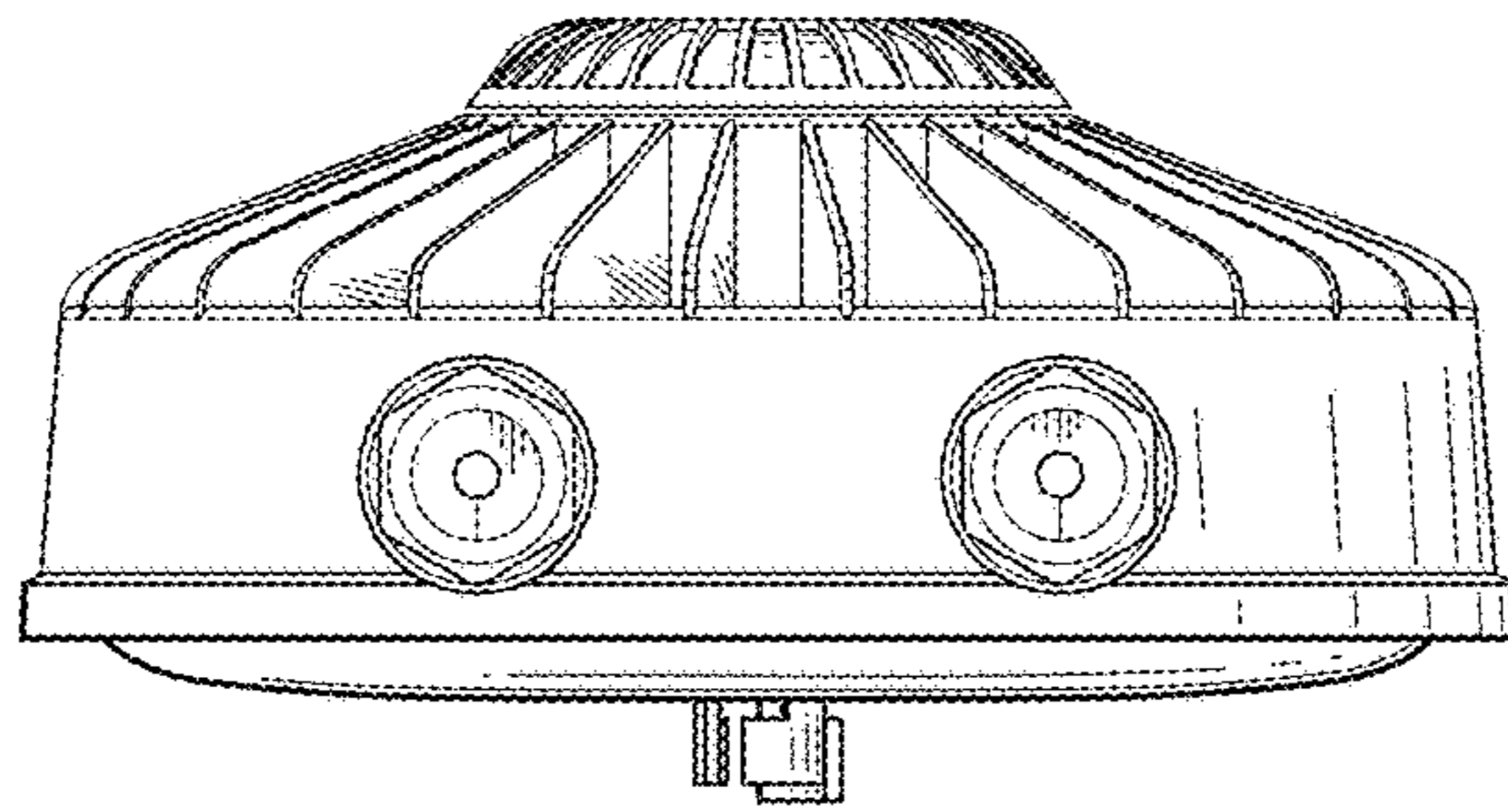
**FIG. 2**



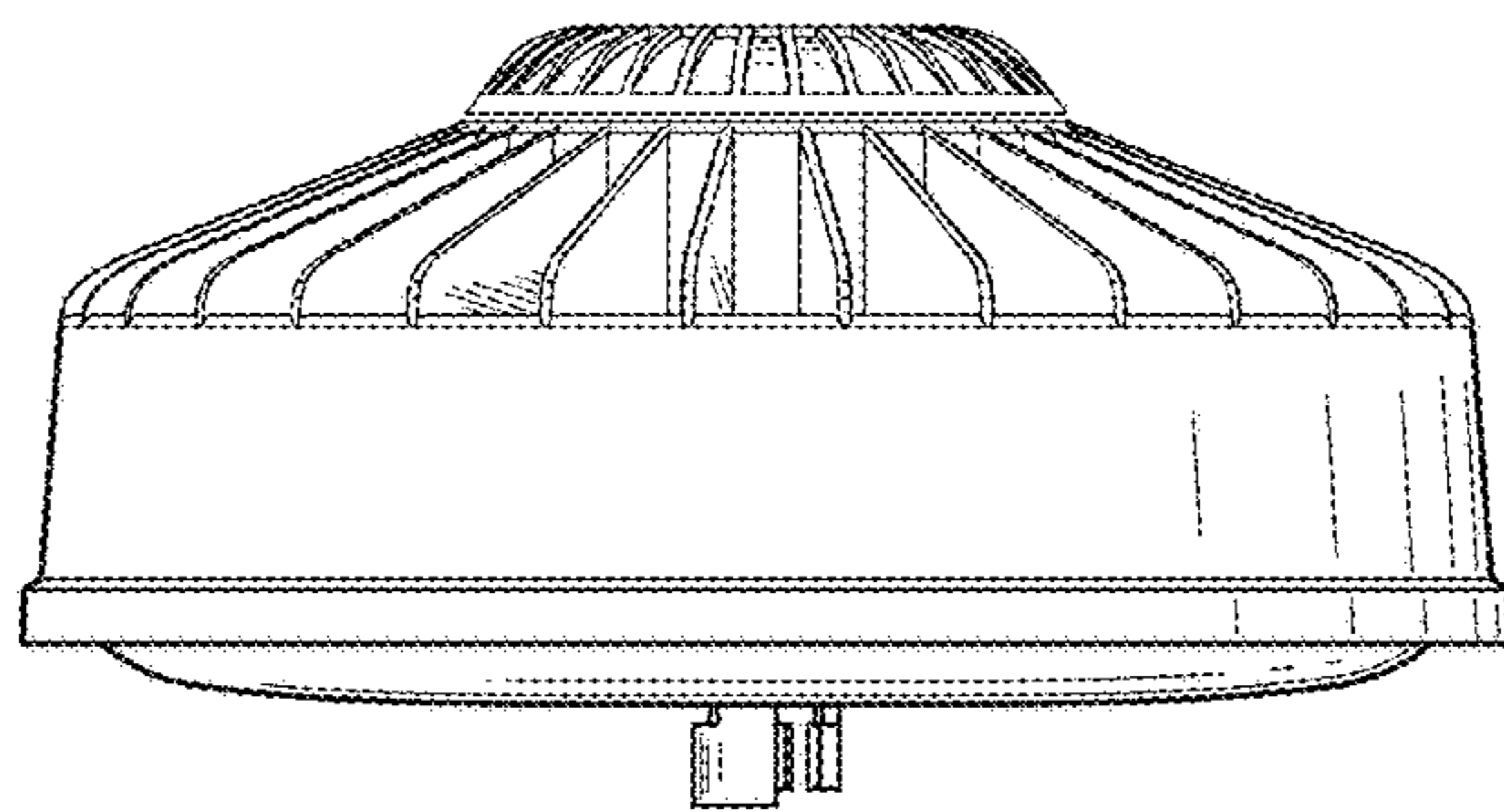
**FIG. 3**



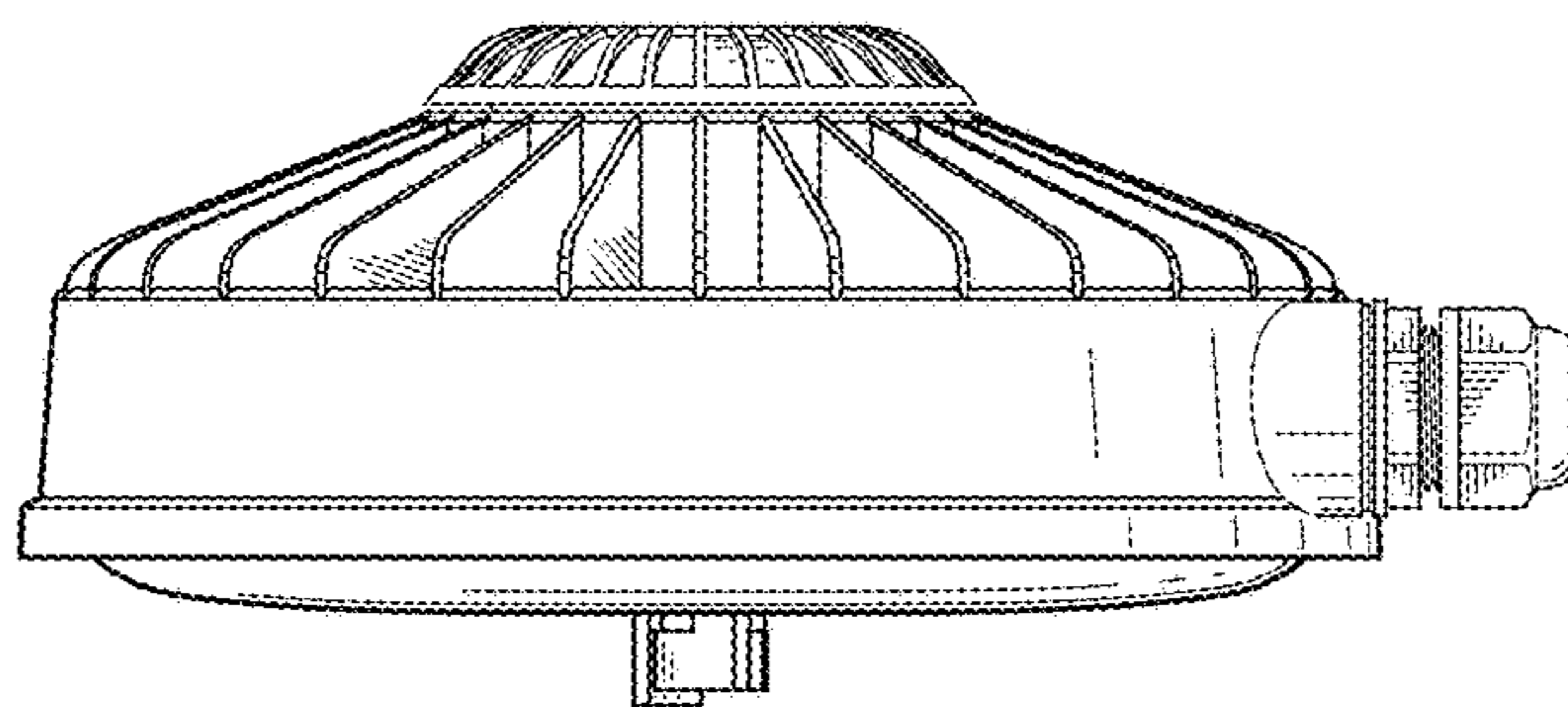
**FIG. 4**



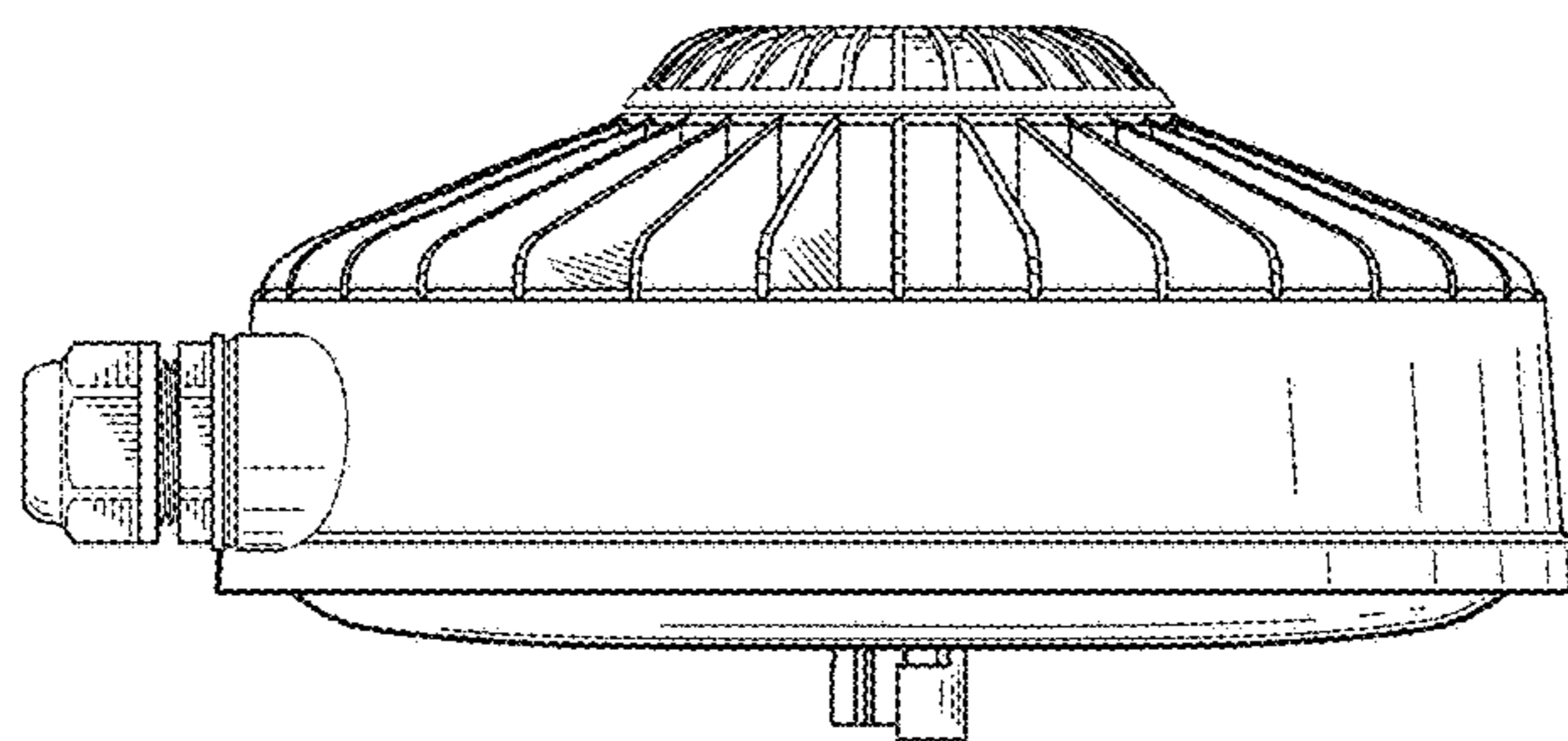
**FIG. 5**



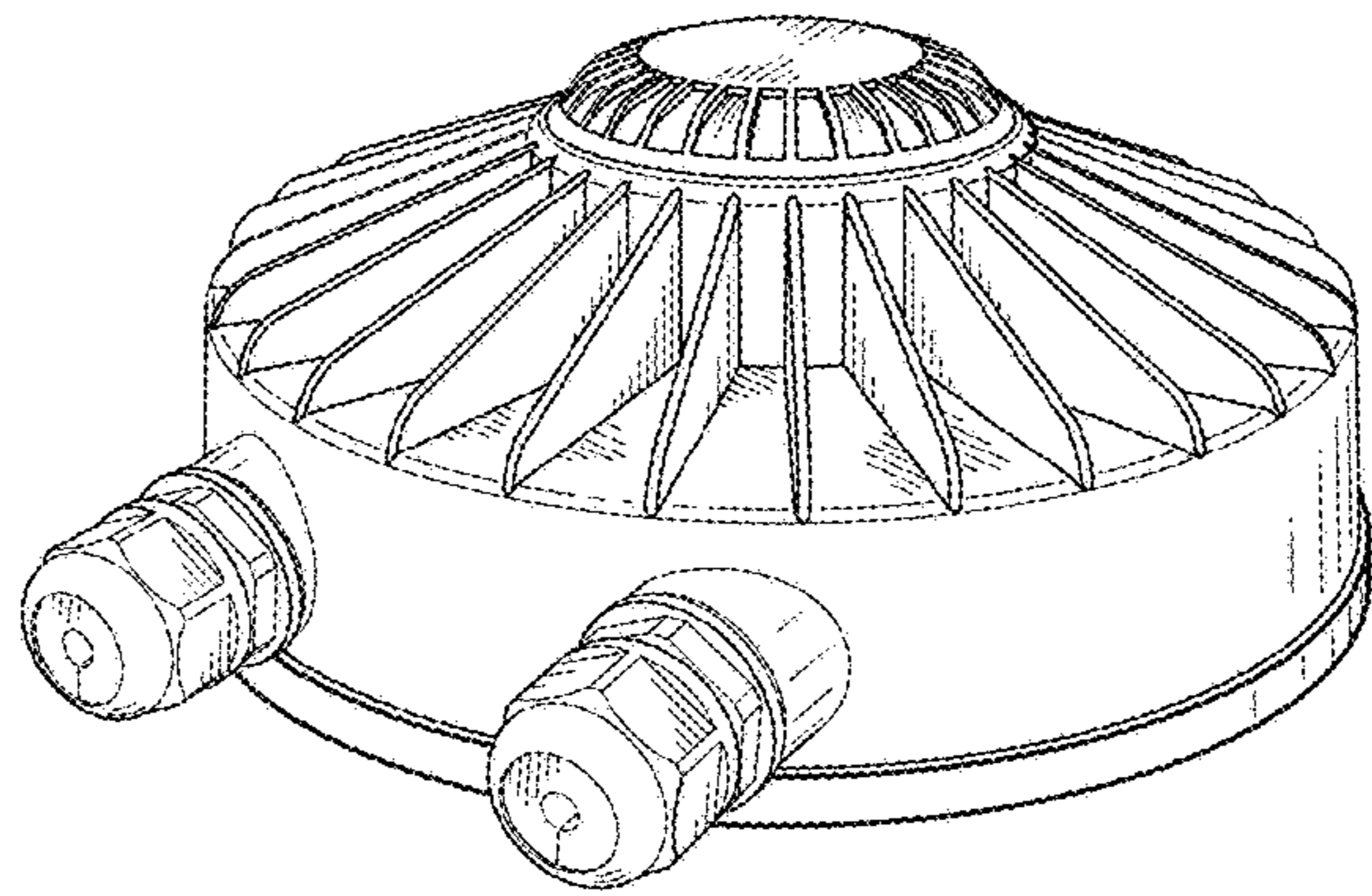
**FIG. 6**



**FIG. 7**

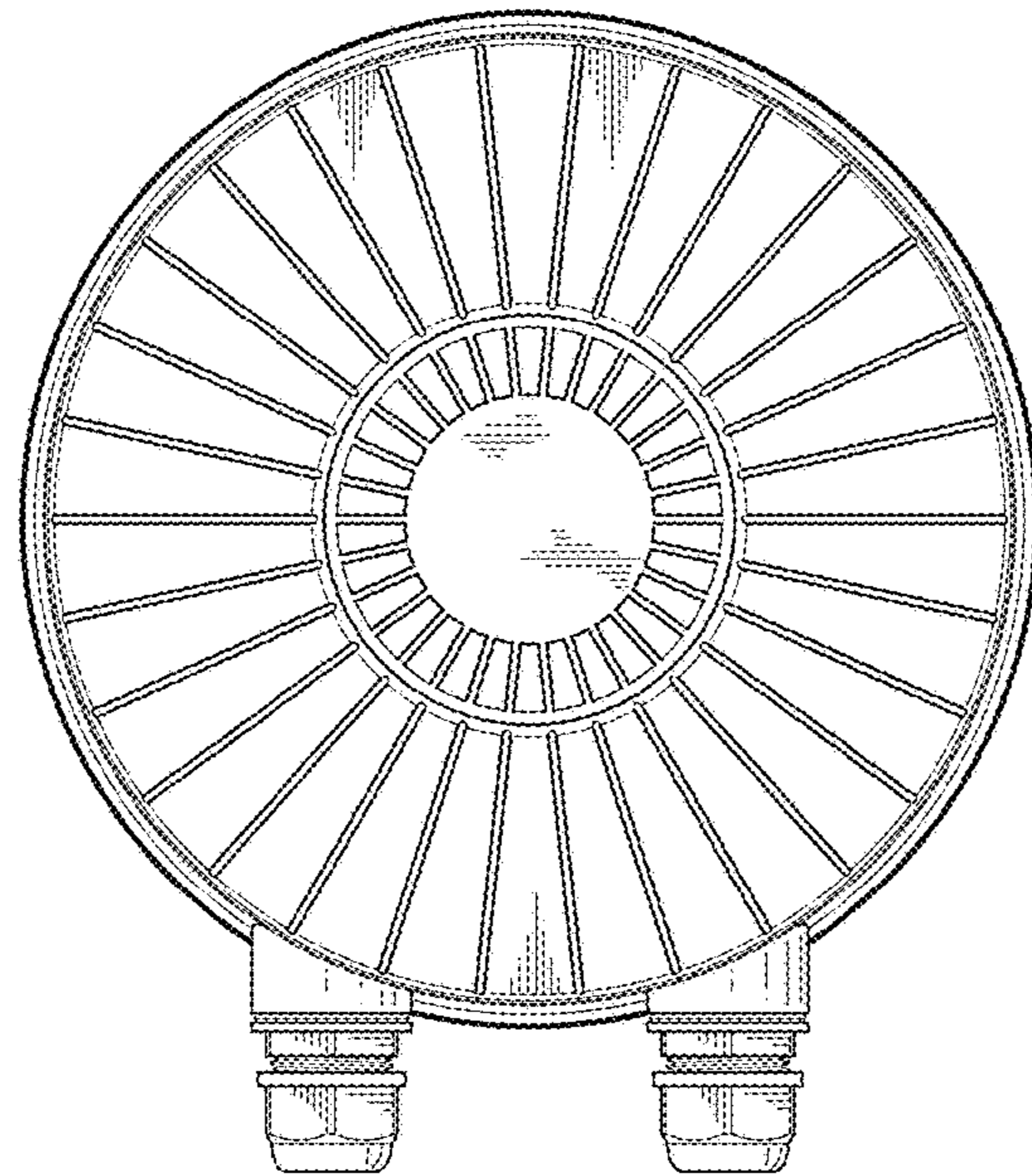


**FIG. 8**

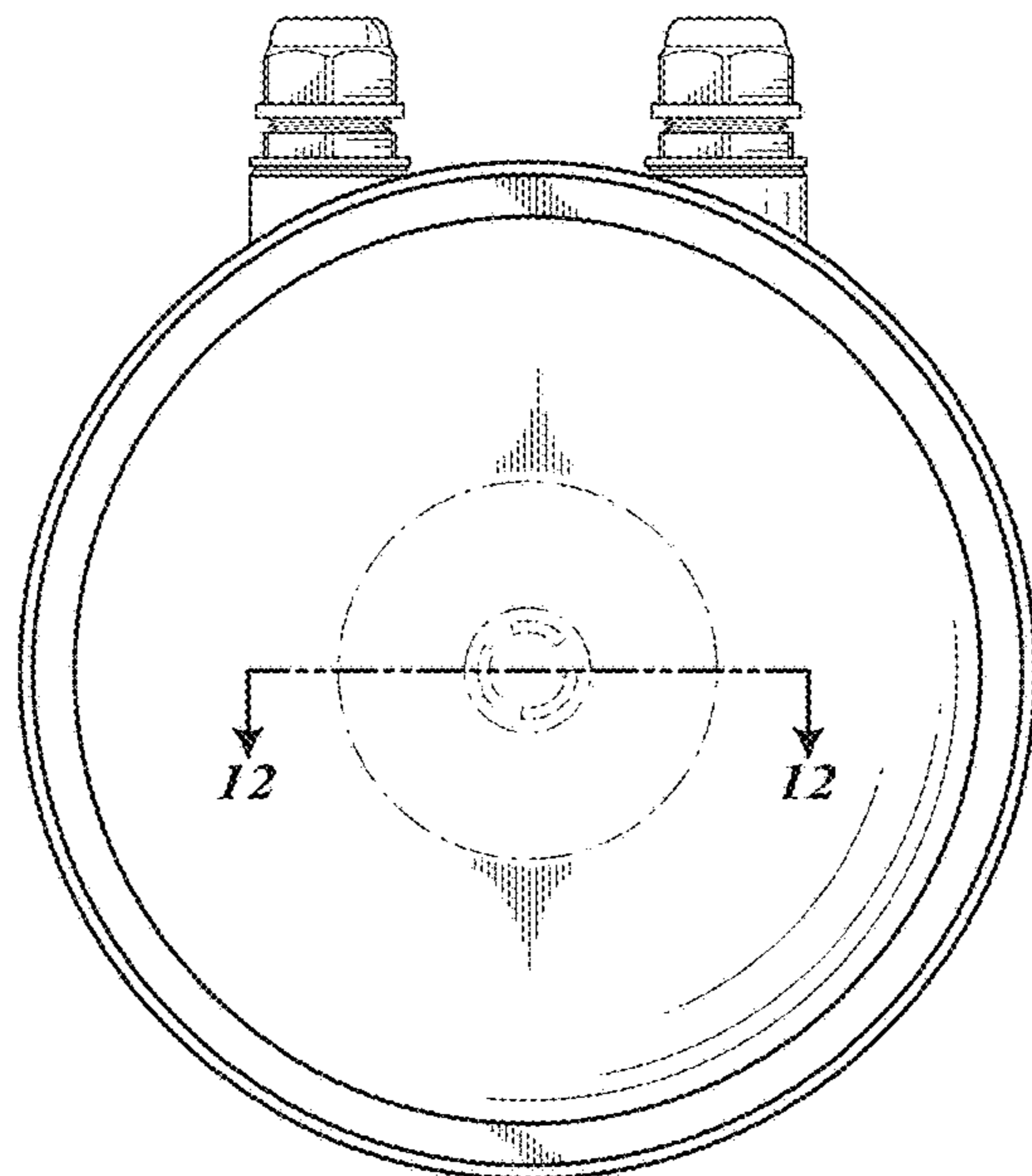


**FIG. 9**

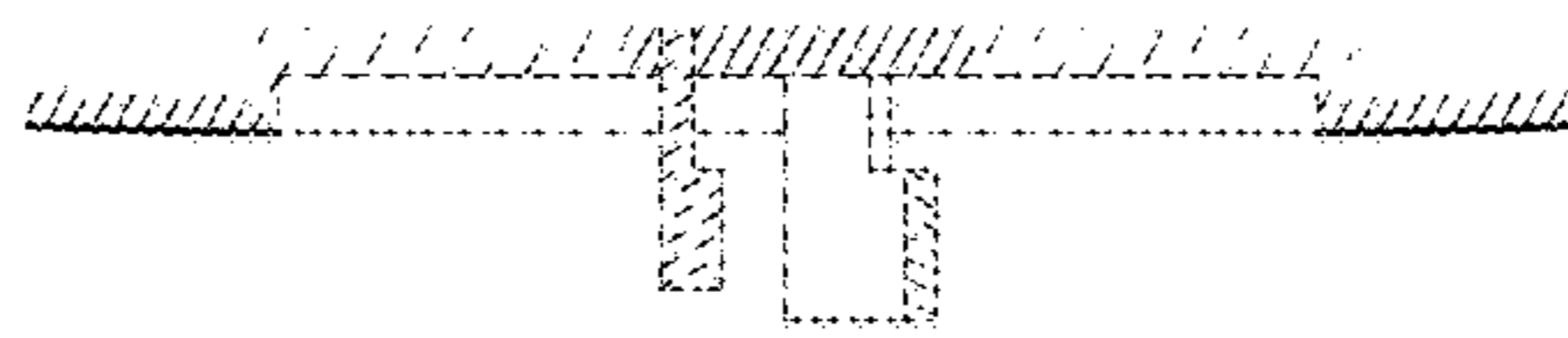




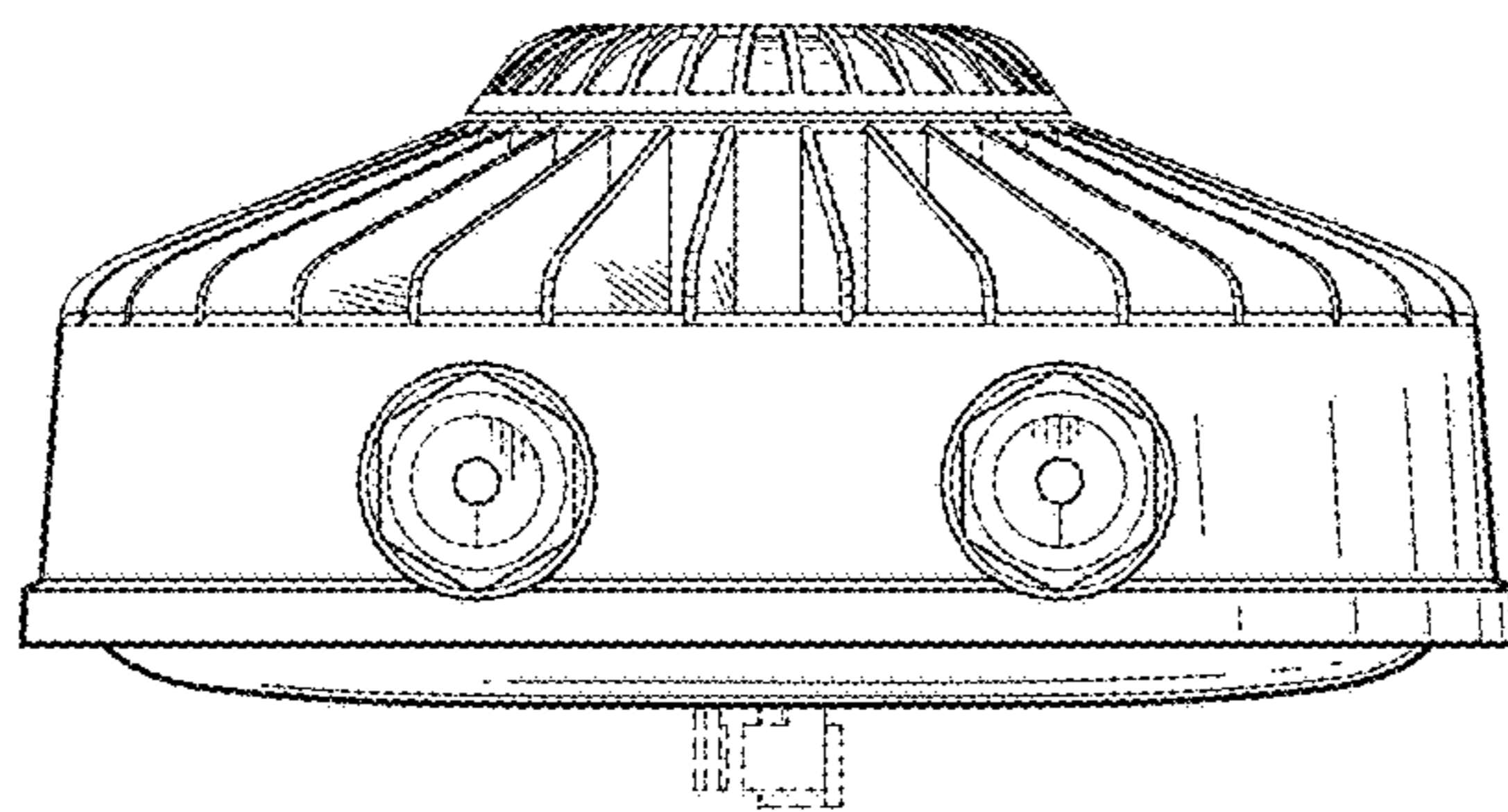
**FIG. 10**



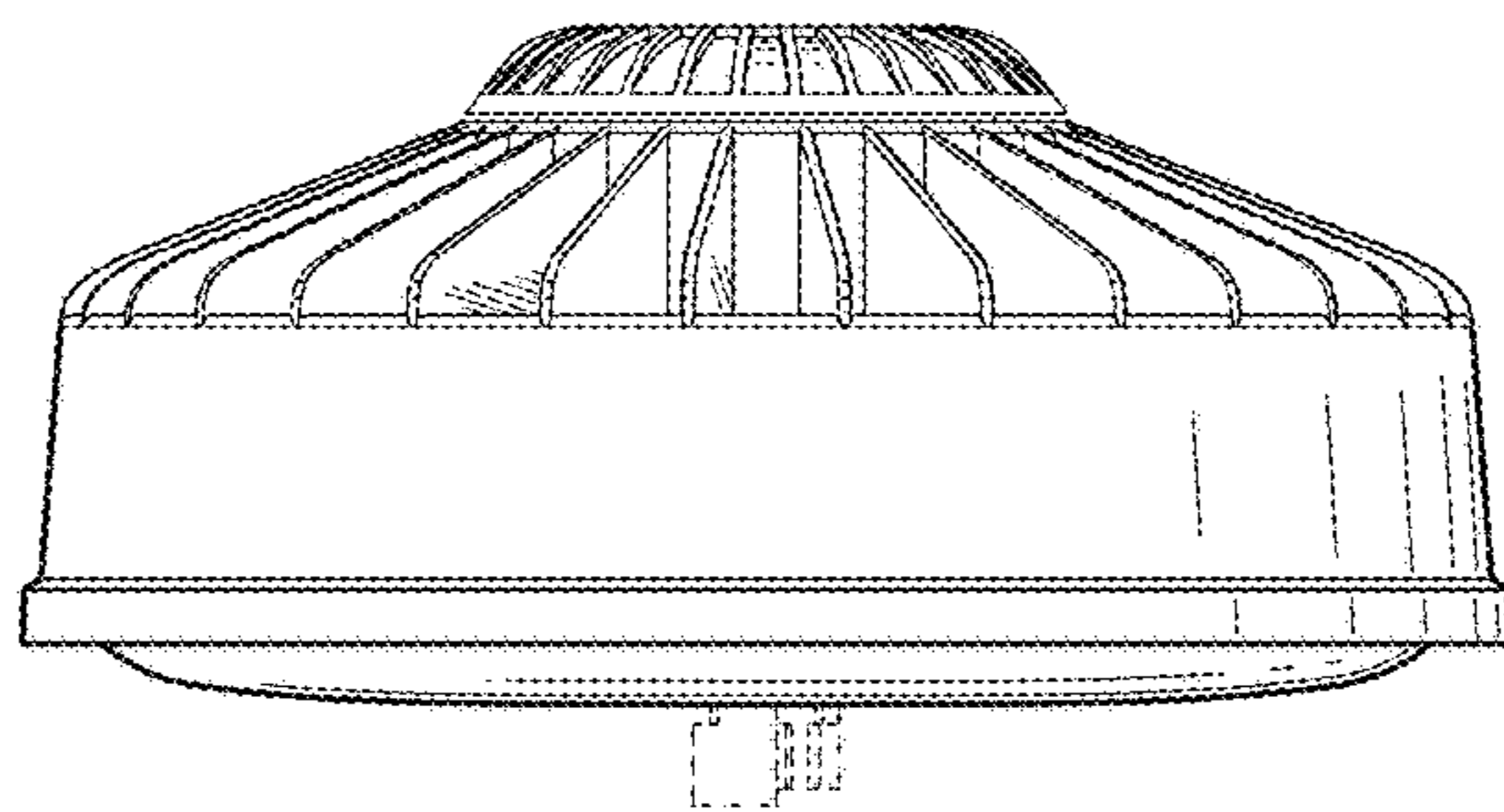
**FIG. 11**



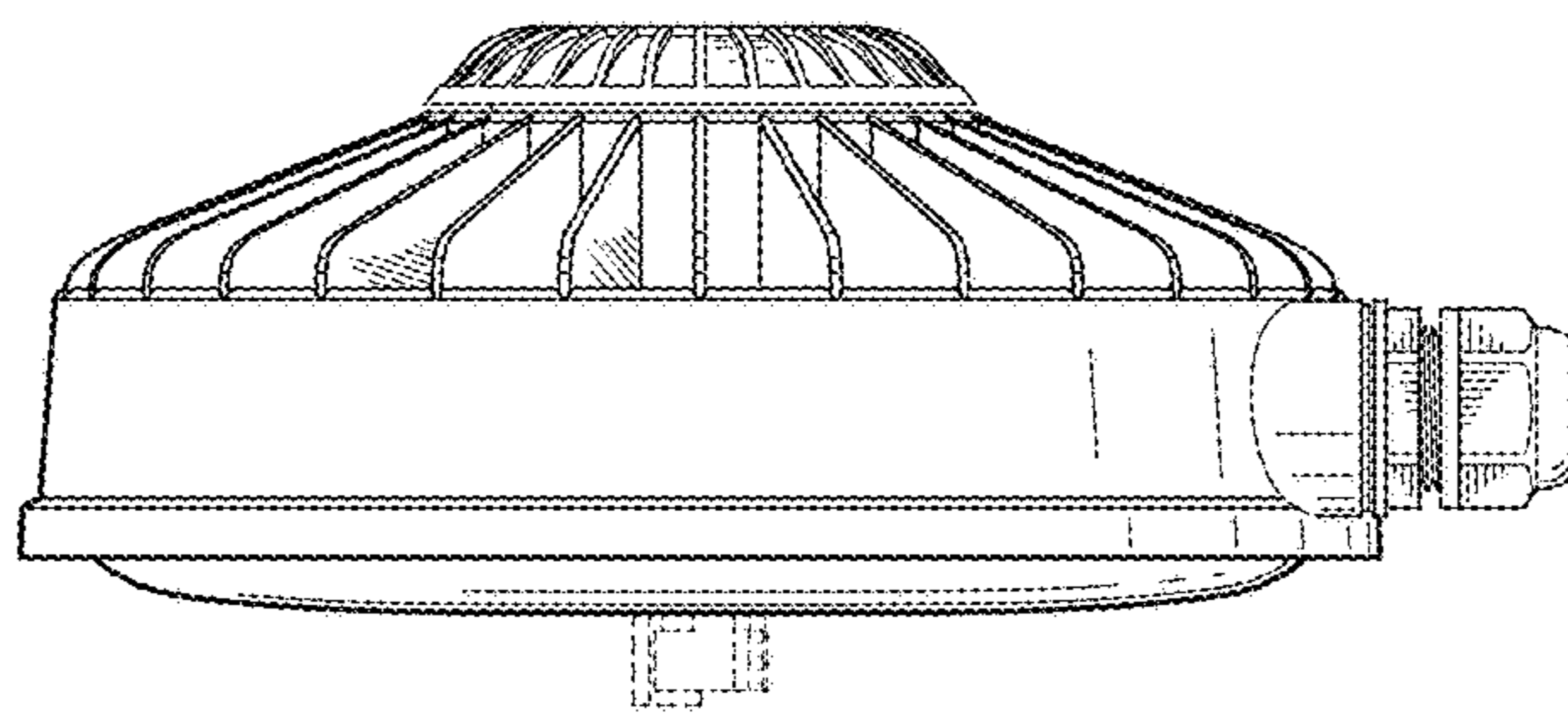
**FIG. 12**



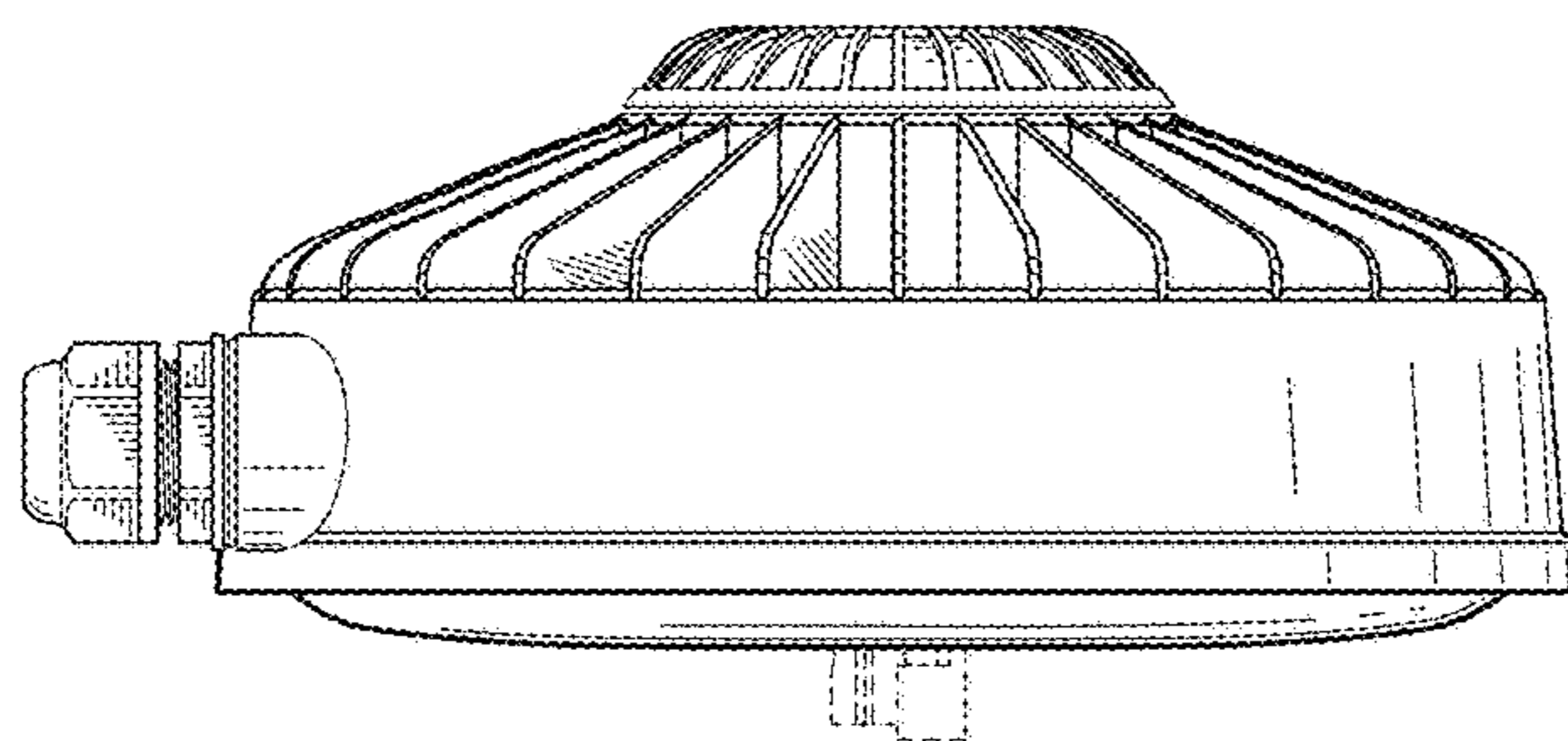
**FIG. 13**



**FIG. 14**



**FIG. 15**



**FIG. 16**