



US00D868015S

(12) **United States Design Patent** (10) **Patent No.:** **US D868,015 S**  
**Zimmerman, III et al.** (45) **Date of Patent:** **\*\* Nov. 26, 2019**

(54) **SMALL CELL FOR MOUNTING ON A LIGHT POLE**

(71) Applicant: **Ubiquia LLC**, Wellington, FL (US)

(72) Inventors: **Ronald B. Zimmerman, III**, Wellington, FL (US); **Ian B. Aaron**, Wellington, FL (US)

(73) Assignee: **Ubiquia LLC**, Wellington, FL (US)

(\*\*) Term: **15 Years**

(21) Appl. No.: **29/631,591**

(22) Filed: **Dec. 29, 2017**

(51) **LOC (12) Cl.** ..... **14-03**

(52) **U.S. Cl.**  
USPC ..... **D14/140.6**

(58) **Field of Classification Search**  
USPC ..... D14/140, 140.1, 140.2, 140.3, 140.4, D14/140.5, 140.6, 142, 155, 168, 230, D14/233, 240, 242, 243, 255, 299, 496, D14/356, 358, 236; D13/123, 152, 154, D13/158, 184, 199, 101, 110, 111, 112, D13/114, 160; D10/46, 75, 103, 104.1,  
(Continued)

(56) **References Cited**

**U.S. PATENT DOCUMENTS**

D201,825 S \* 8/1965 Heenan ..... D10/114.8  
D214,706 S \* 7/1969 Kauffman ..... D10/114.2  
(Continued)

**OTHER PUBLICATIONS**

Top 3 wireless infrastructure service company trends—RCR Wireless News. [online image] 8 pgs. Uploaded Sep. 10, 2015. [Retrieved on Jun. 14, 2019] <https://www.rcrwireless.com/20150910/workforce/top-3-wireless-infrastructure-service-company-trends-inside-telecom-careers-episode-12-tag1#prettyPhoto>.\*

(Continued)

*Primary Examiner* — Marie D. Fast Horse  
(74) *Attorney, Agent, or Firm* — Seed IP Law Group LLP

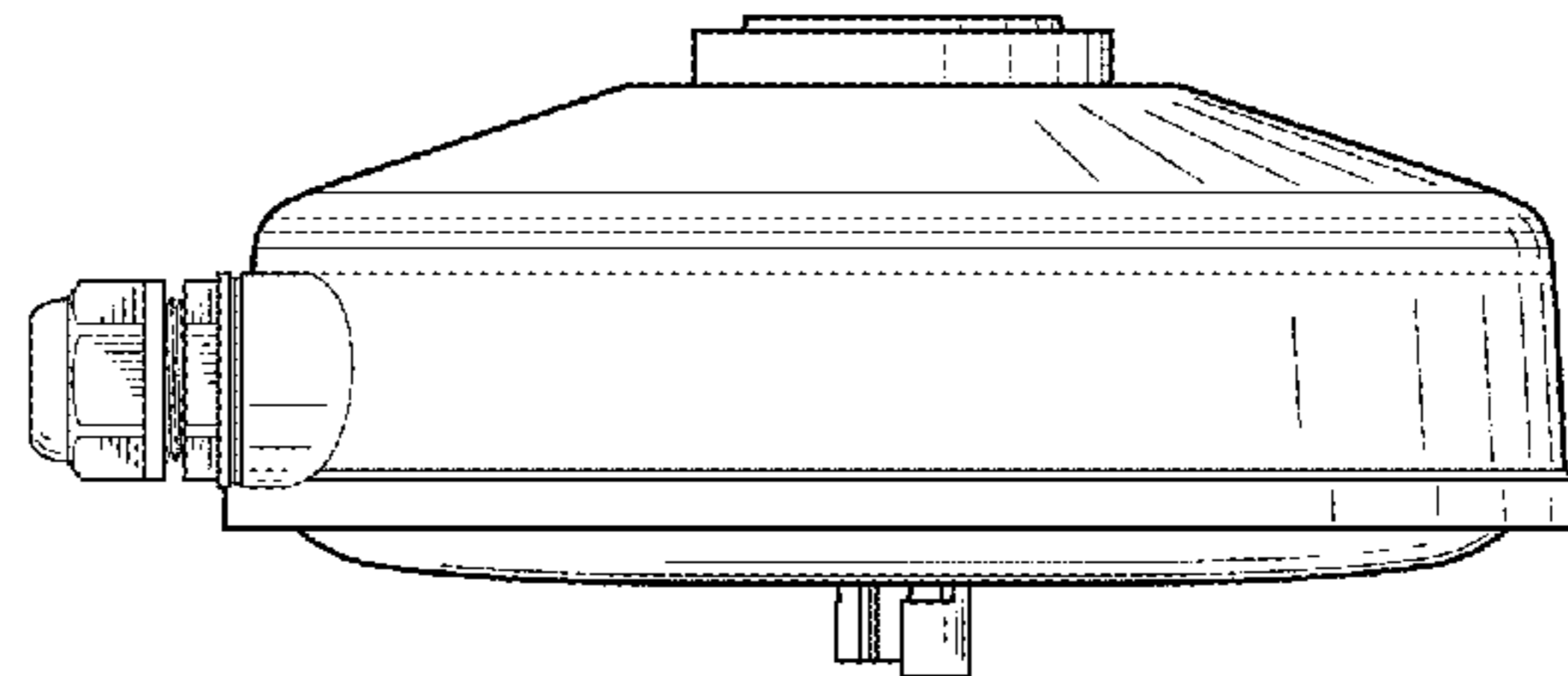
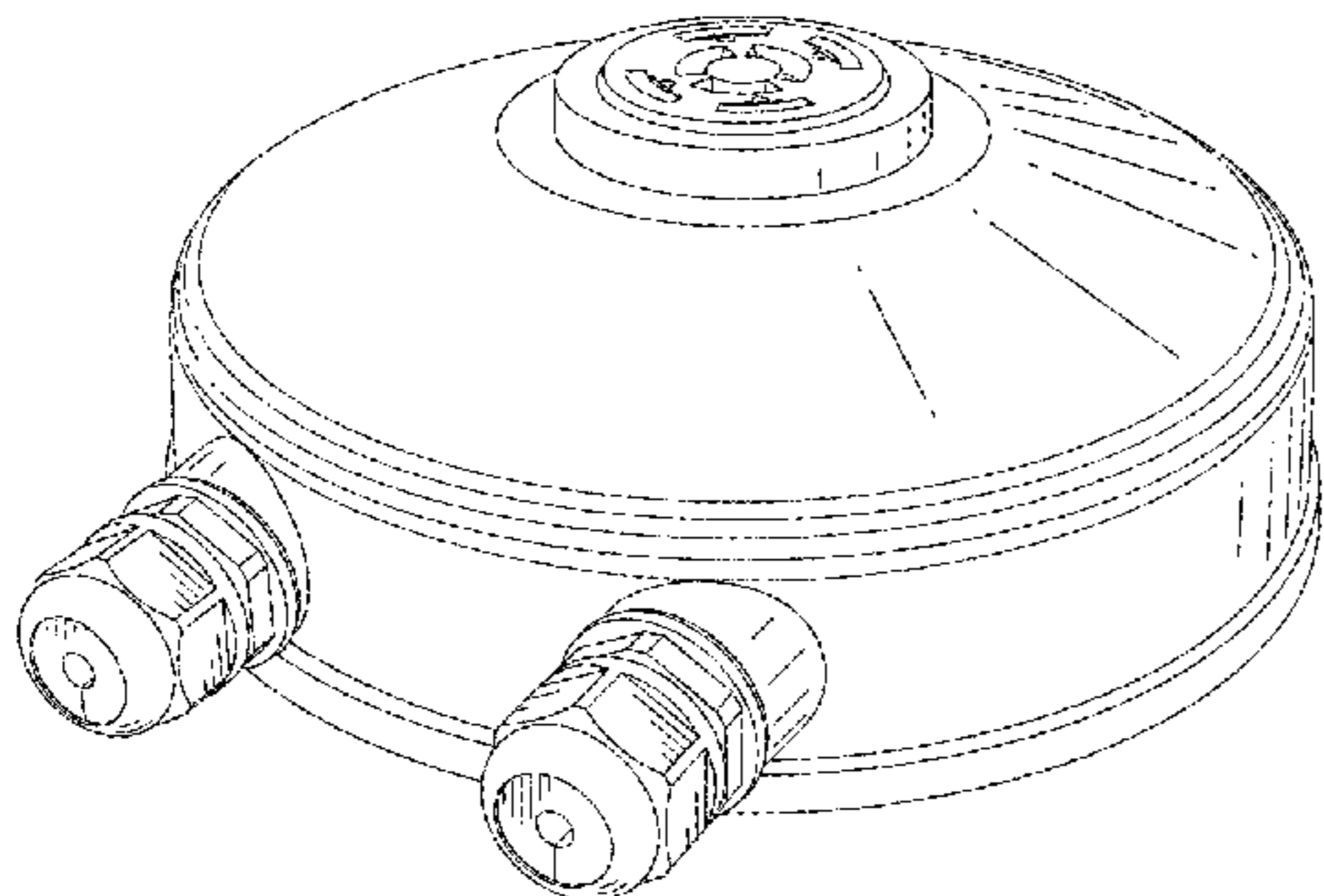
(57) **CLAIM**

The ornamental design for a small cell for mounting on a light pole, as shown and described.

**DESCRIPTION**

FIG. 1 is a perspective view of a small cell for mounting on a light pole showing a first embodiment of our new design. FIG. 2 is a top plan view thereof. FIG. 3 is a bottom plan view thereof. FIG. 4 is an enlarged scale partial cross-sectional view thereof, taken along line 4-4 of FIG. 3. FIG. 5 is a front elevational view thereof. FIG. 6 is a rear elevational view thereof. FIG. 7 is a left side elevational view thereof. FIG. 8 is a right side elevational view thereof. FIG. 9 is a perspective view of a small cell for mounting on a light pole showing a second embodiment of our new design. FIG. 10 is a top plan view thereof. FIG. 11 is a bottom plan view thereof. FIG. 12 is an enlarged scale partial cross-sectional view thereof, taken along line 12-12 of FIG. 11. FIG. 13 is a front elevational view thereof. FIG. 14 is a rear elevational view thereof. FIG. 15 is a left side elevational view thereof; and, FIG. 16 is a right side elevational view thereof. The dot-dash broken lines in FIGS. 3 and 11 define the boundary of the claim, which extends to the boundary but does not include the boundary, while all other broken lines depict portions of the small cell for mounting on a light pole that form no part of the claimed design. Shading lines shown in the drawings are intended to represent the approximate three-dimensional contour of the design and are not intended to indicate surface decoration.

**1 Claim, 8 Drawing Sheets**





**US D868,015 S**

(58) **Field of Classification Search**

USPC ..... D10/121, 106.1, 106.6, 106.3, 109.1,  
 D10/109.2, 111, 114.1, 114.2, 114.6,  
 D10/114.8; D26/72, 80, 81, 85, 88, 67,  
 D26/68-71, 113, 138  
 CPC .... F21S 8/006; F21S 8/08; F21S 8/081; F21S  
 8/032; F21S 8/085; F21S 8/086; F21S  
 8/088; F21S 9/03; F21S 9/032; F21S  
 9/035; F21S 9/037; F21V 23/04; F21V  
 23/0435; F21W 2131/109; H04W 88/08;  
 H04W 16/24; H04W 8/245; H04W  
 84/042; H04W 84/045; H04W 84/047;  
 H04M 1/72522; H04M 1/72525

See application file for complete search history.

(56) **References Cited**

U.S. PATENT DOCUMENTS

D227,785 S \* 7/1973 Raymond ..... D14/233  
 D237,369 S \* 10/1975 Lowndes ..... D10/114.8  
 D239,517 S \* 4/1976 Lowndes ..... D10/114.8  
 D242,778 S \* 12/1976 Goble ..... D10/106.6  
 D242,779 S \* 12/1976 Goble ..... D10/106.6  
 D242,942 S \* 1/1977 Brudy ..... D10/111  
 4,503,360 A \* 3/1985 Bedel ..... H01J 61/34  
 313/19  
 D286,988 S \* 12/1986 Akiyama ..... D10/114.8  
 4,804,972 A \* 2/1989 Schudel ..... H01Q 1/42  
 343/840  
 D310,064 S \* 8/1990 Cheng ..... D13/151  
 D311,540 S \* 10/1990 Wickrema ..... D14/233  
 D327,691 S \* 7/1992 Ogawa ..... D14/230  
 D333,661 S \* 3/1993 Elliott ..... D14/236  
 D336,864 S \* 6/1993 Gottlieb ..... D10/109.2  
 D346,170 S \* 4/1994 Tang ..... D14/230  
 D347,436 S \* 5/1994 Tang ..... D14/230  
 D349,256 S \* 8/1994 Bellinger ..... D10/114.2  
 D390,566 S \* 2/1998 Martek ..... D14/230  
 D401,175 S \* 11/1998 Bender ..... D10/106.6  
 D402,991 S \* 12/1998 Mosser ..... D14/230  
 D404,325 S \* 1/1999 Bender ..... D10/106.6  
 D404,326 S \* 1/1999 Bender ..... D10/106.6  
 D411,640 S \* 6/1999 Lueken ..... D10/113.1  
 D412,676 S \* 8/1999 Layes ..... D10/106.6  
 D436,101 S \* 1/2001 McGovern ..... D14/140.5  
 D437,243 S \* 2/2001 Cessac ..... D10/104.1  
 D440,890 S \* 4/2001 Warner ..... D10/65  
 D442,947 S \* 5/2001 Warner ..... D14/230  
 D453,329 S \* 2/2002 Muramatsu ..... D14/230  
 D455,735 S \* 4/2002 Winslow ..... D14/240  
 D457,518 S \* 5/2002 Wilson ..... 343/749  
 D462,070 S \* 8/2002 Wilson ..... D14/233  
 D462,675 S \* 9/2002 Kusz ..... D14/140.6  
 D466,496 S \* 12/2002 McDonald ..... D14/230  
 D467,242 S \* 12/2002 Warner ..... D14/230  
 D468,731 S \* 1/2003 Wilson ..... D14/234  
 D486,146 S \* 2/2004 Dearnley ..... D14/230  
 D493,169 S \* 7/2004 Cheng ..... D14/357  
 D493,447 S \* 7/2004 Noro ..... D14/230  
 D513,477 S \* 1/2006 Heftman ..... D10/111  
 D519,860 S \* 5/2006 Bugbee ..... D10/47  
 D525,231 S \* 7/2006 McMillen ..... D14/149  
 D531,626 S \* 11/2006 Agrawal ..... D14/233  
 D543,540 S \* 5/2007 Westerling ..... D14/230  
 D543,975 S \* 6/2007 McCown ..... D14/230  
 D544,805 S \* 6/2007 Corrigan ..... D10/111  
 D550,659 S \* 9/2007 Noro ..... D14/230  
 D557,260 S \* 12/2007 Westerling ..... D14/230  
 D560,533 S \* 1/2008 Dueker ..... D10/109.1  
 D566,698 S \* 4/2008 Choi ..... D14/240  
 D570,722 S \* 6/2008 Taylor ..... D10/114.8  
 D591,888 S \* 5/2009 Gill ..... D26/71  
 D591,889 S \* 5/2009 Gill ..... D26/71  
 D591,890 S \* 5/2009 Gill ..... D26/71  
 D591,891 S \* 5/2009 Gill ..... D26/71

D591,892 S \* 5/2009 Gill ..... D26/71  
 D592,088 S \* 5/2009 Miller ..... D10/114.8  
 D592,345 S \* 5/2009 Gill ..... D26/71  
 D592,346 S \* 5/2009 Gill ..... D26/71  
 D592,650 S \* 5/2009 Tsang ..... D14/242  
 D598,316 S \* 8/2009 Kuwano ..... D10/114.8  
 D601,053 S \* 9/2009 Ferrie ..... D10/114.8  
 D604,279 S \* 11/2009 Chen ..... D14/230  
 D605,965 S \* 12/2009 Jackson ..... D10/109.1  
 D608,232 S \* 1/2010 Duran Neira ..... D10/107  
 D608,673 S \* 1/2010 Arosio ..... D10/111  
 D612,760 S \* 3/2010 Chen ..... D10/114.8  
 D616,777 S \* 6/2010 Jackson ..... D10/114.5  
 D619,992 S \* 7/2010 Wayman ..... D14/140.5  
 D621,812 S \* 8/2010 Wayman ..... D14/140.5  
 D622,709 S \* 8/2010 Hem ..... D14/230  
 D623,633 S \* 9/2010 Bliss ..... D14/233  
 D624,448 S \* 9/2010 Jackson ..... D10/114.8  
 D626,442 S \* 11/2010 Jackson ..... D10/114.8  
 D627,911 S \* 11/2010 Mo ..... D26/119  
 D634,308 S \* 3/2011 Bliss ..... D14/233  
 D638,001 S \* 5/2011 Nakhjiri ..... D14/242  
 D641,647 S \* 7/2011 Wu ..... D10/111  
 D647,812 S \* 11/2011 Kuwano ..... D10/114.1  
 D648,241 S \* 11/2011 Kuwano ..... D10/114.1  
 D650,115 S \* 12/2011 Kim ..... D26/118  
 D650,513 S \* 12/2011 Blincoe ..... D26/118  
 D651,110 S \* 12/2011 Kuwano ..... D10/114.1  
 D651,111 S \* 12/2011 Kuwano ..... D10/114.1  
 D651,112 S \* 12/2011 Kuwano ..... D10/114.1  
 D651,113 S \* 12/2011 Kuwano ..... D10/114.1  
 D652,334 S \* 1/2012 Kuwano ..... D10/114.1  
 D666,583 S \* 9/2012 Le ..... D14/230  
 D668,981 S \* 10/2012 Hsiao ..... D10/114.2  
 D668,982 S \* 10/2012 Hsiao ..... D10/114.2  
 D674,787 S \* 1/2013 Tsuda ..... D14/240  
 D674,788 S \* 1/2013 Tsuda ..... D14/240  
 D680,893 S \* 4/2013 Adams ..... D10/114.1  
 D684,078 S \* 6/2013 Clifford ..... D10/114.2  
 D690,450 S \* 9/2013 Guercio ..... D26/72  
 D694,740 S \* 12/2013 Apostolakis ..... D14/240  
 D696,642 S \* 12/2013 Jia ..... D14/155  
 D701,466 S \* 3/2014 Clifford ..... D10/114.2  
 D706,152 S \* 6/2014 Ni ..... D10/106.6  
 D709,782 S \* 7/2014 Stuffle ..... D10/114.1  
 D713,092 S \* 9/2014 Smith ..... D26/118  
 D713,816 S \* 9/2014 Fleetwood ..... D14/155  
 D720,247 S \* 12/2014 Covelli ..... D10/114.2  
 D729,214 S \* 5/2015 Beaudoin ..... D14/230  
 D733,107 S \* 6/2015 Porter ..... D14/240  
 D744,985 S \* 12/2015 Schulz ..... D14/230  
 D744,986 S \* 12/2015 Huerta ..... D14/230  
 D749,974 S \* 2/2016 Hoßbach et al. .... D10/114.2  
 D751,534 S \* 3/2016 Lenz ..... D14/230  
 D757,588 S \* 5/2016 Stuffle ..... D10/114.1  
 9,362,629 B2 \* 6/2016 Hinman ..... H01Q 19/13  
 D772,206 S \* 11/2016 Lasier ..... D14/230  
 D772,850 S \* 11/2016 Safstrom ..... D14/233  
 D790,514 S \* 6/2017 Woodward ..... D10/65  
 D791,109 S \* 7/2017 Wallace ..... D14/233  
 D794,635 S \* 8/2017 Nimre ..... D14/230  
 D806,691 S \* 1/2018 Andersson ..... D14/240  
 D817,914 S \* 5/2018 Britz ..... D14/140.6  
 D823,839 S \* 7/2018 Emery ..... D14/230  
 D829,696 S \* 10/2018 Wallace ..... D14/233  
 D833,312 S \* 11/2018 Alonso ..... D10/114.1  
 D844,581 S \* 4/2019 Zhou ..... D14/142  
 2014/0155054 A1 \* 6/2014 Henry ..... H04W 24/02  
 455/422.1  
 2015/0124100 A1 \* 5/2015 McRory ..... F21S 8/085  
 348/151  
 2018/0045388 A1 \* 2/2018 McDowell ..... F21S 8/086  
 2018/0172229 A1 \* 6/2018 Lockwood ..... F21S 8/086  
 2018/0172243 A1 \* 6/2018 Clynne ..... H04W 84/18  
 2018/0279445 A1 \* 9/2018 Harwood ..... F21V 23/026

(56)

**References Cited**

U.S. PATENT DOCUMENTS

2018/0292056 A1\* 10/2018 Kim ..... F21V 27/02  
2018/0323503 A1\* 11/2018 Bouchard ..... F21S 8/086

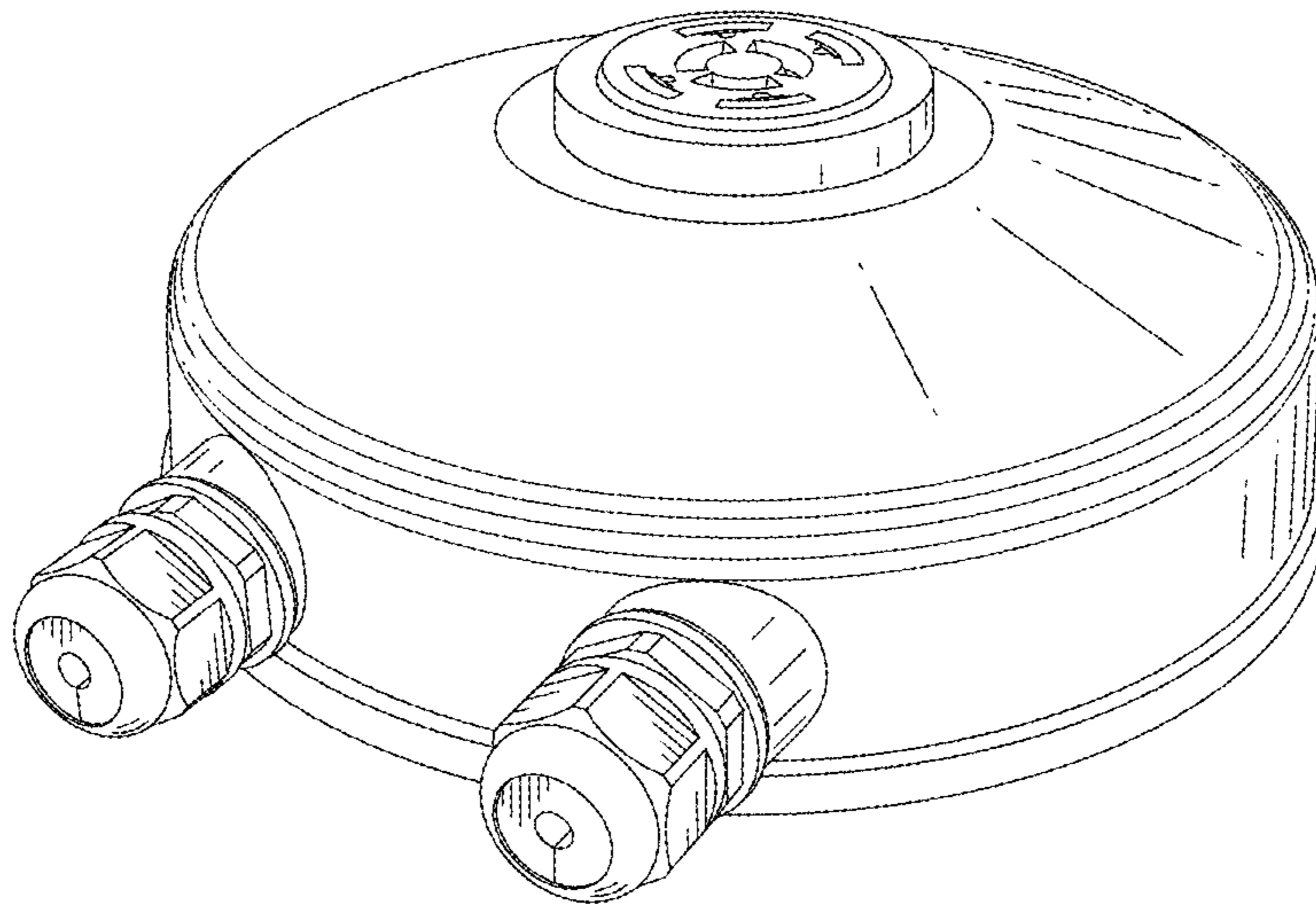
OTHER PUBLICATIONS

Smart Lighting—Ubicell. ubicquia.com. [online image] 1 pg. Uploaded Jan. 2019. [Retrieved on Jun. 14, 2019] [http://www.ubicquia.com/wp-content/uploads/2019/01/wordpress\\_product\\_ubicell.png](http://www.ubicquia.com/wp-content/uploads/2019/01/wordpress_product_ubicell.png).\*

Smart Connectivity—Ubicell. ubicquia.com. [online image] 1 pg. Uploaded Jan. 2019. [Retrieved on Jun. 14, 2019] [http://www.ubicquia.com/wp-content/uploads/2019/01/wordpress\\_product\\_ubihub.png](http://www.ubicquia.com/wp-content/uploads/2019/01/wordpress_product_ubihub.png).\*

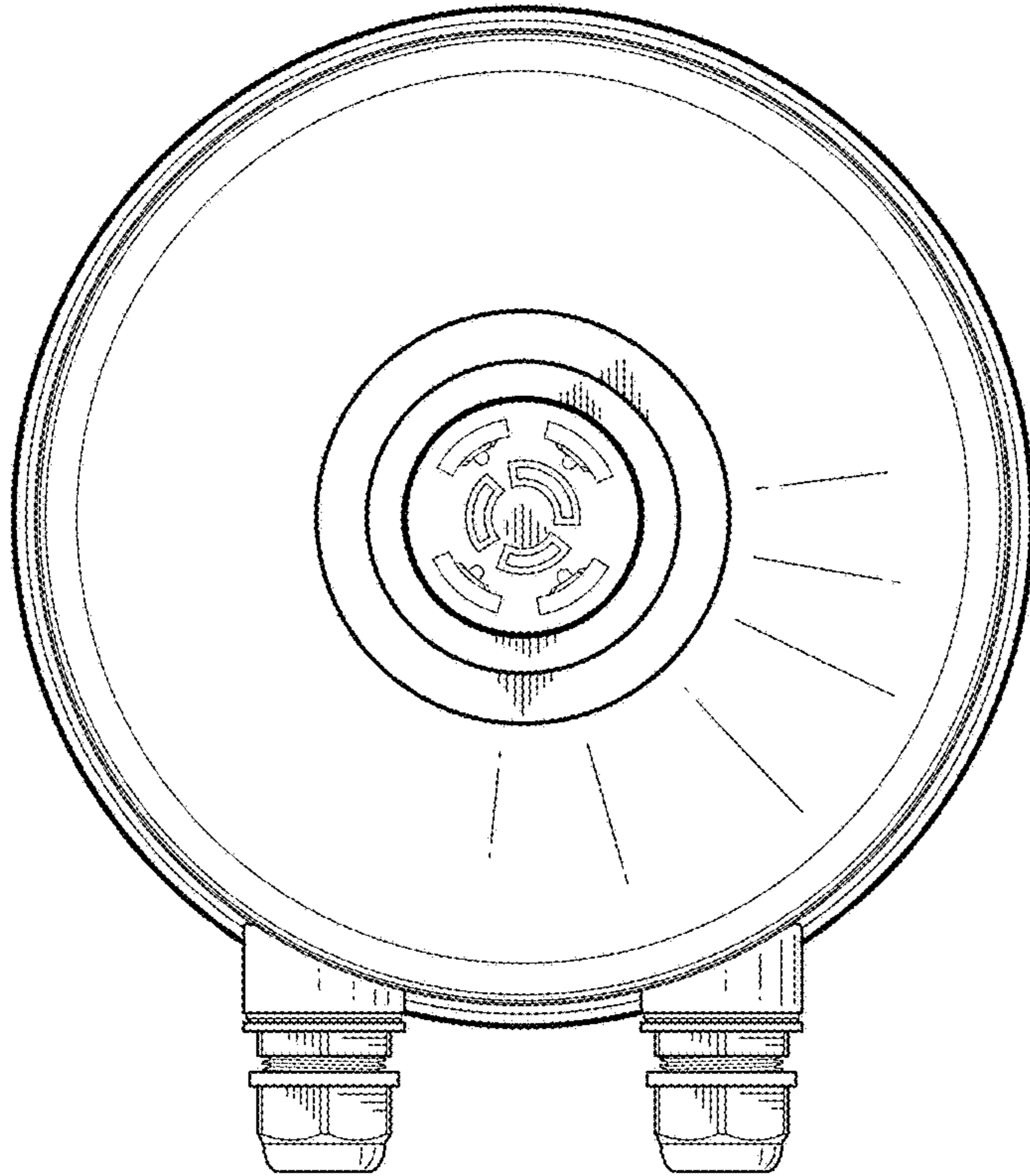
ubicellL-ubihub—ubimetro. Facebook.com. [online image] 1 pg. Uploaded Feb. 26, 2018. [Retrieved on Jun. 14, 2019] <https://www.facebook.com/ubicquia/photos/a.367486246971918/542412166145991/?type=3&theater>.\*

\* cited by examiner

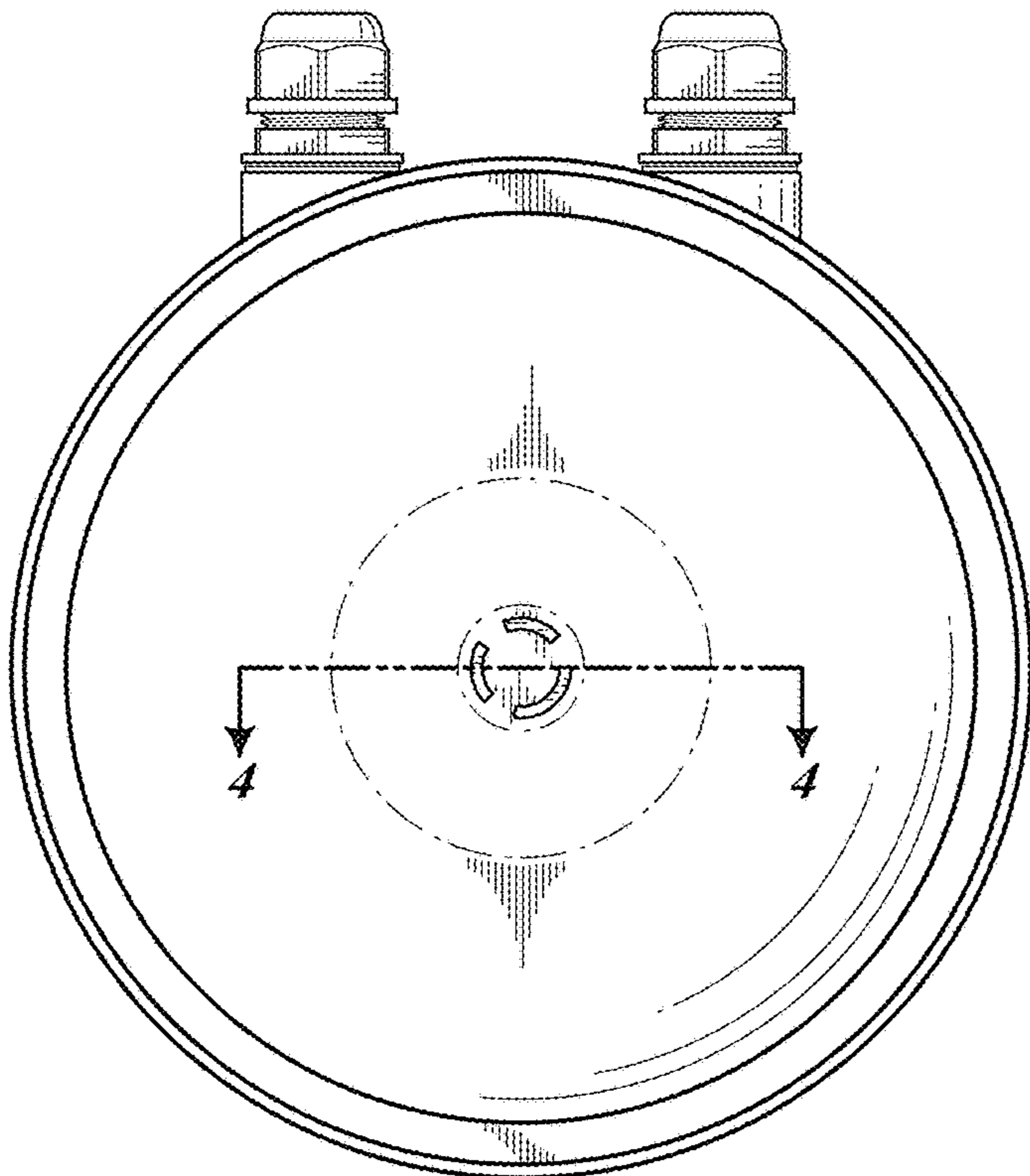


***FIG. 1***

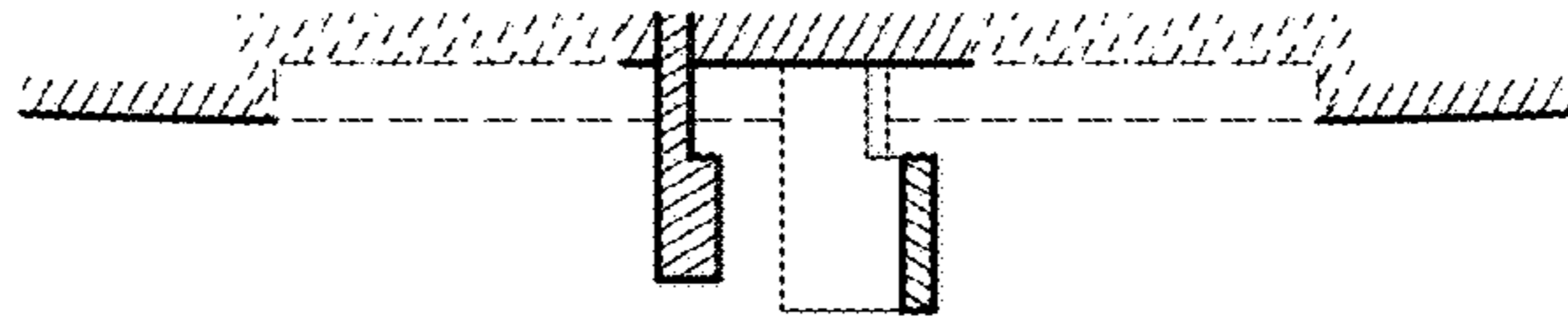




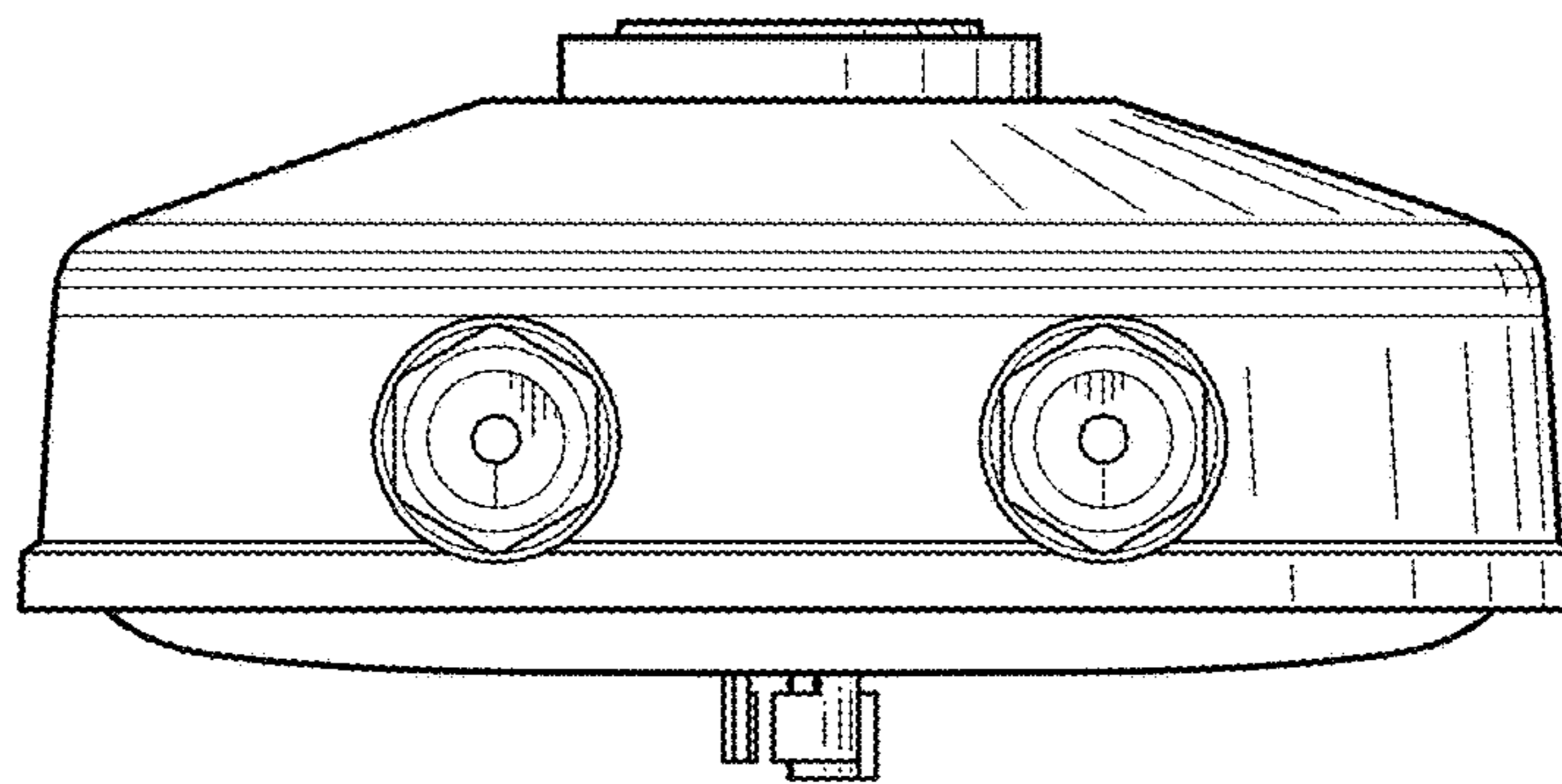
**FIG. 2**



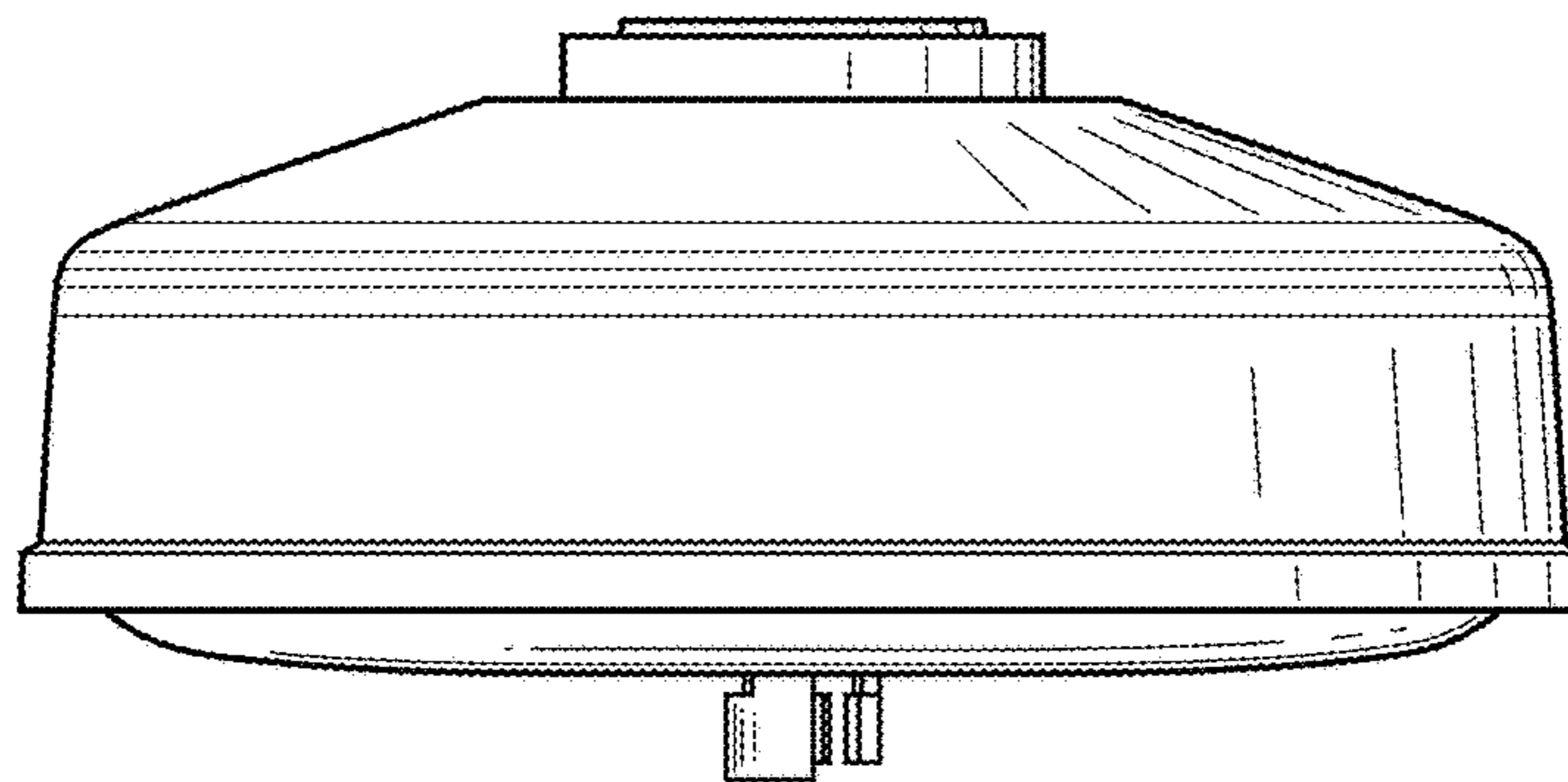
**FIG. 3**



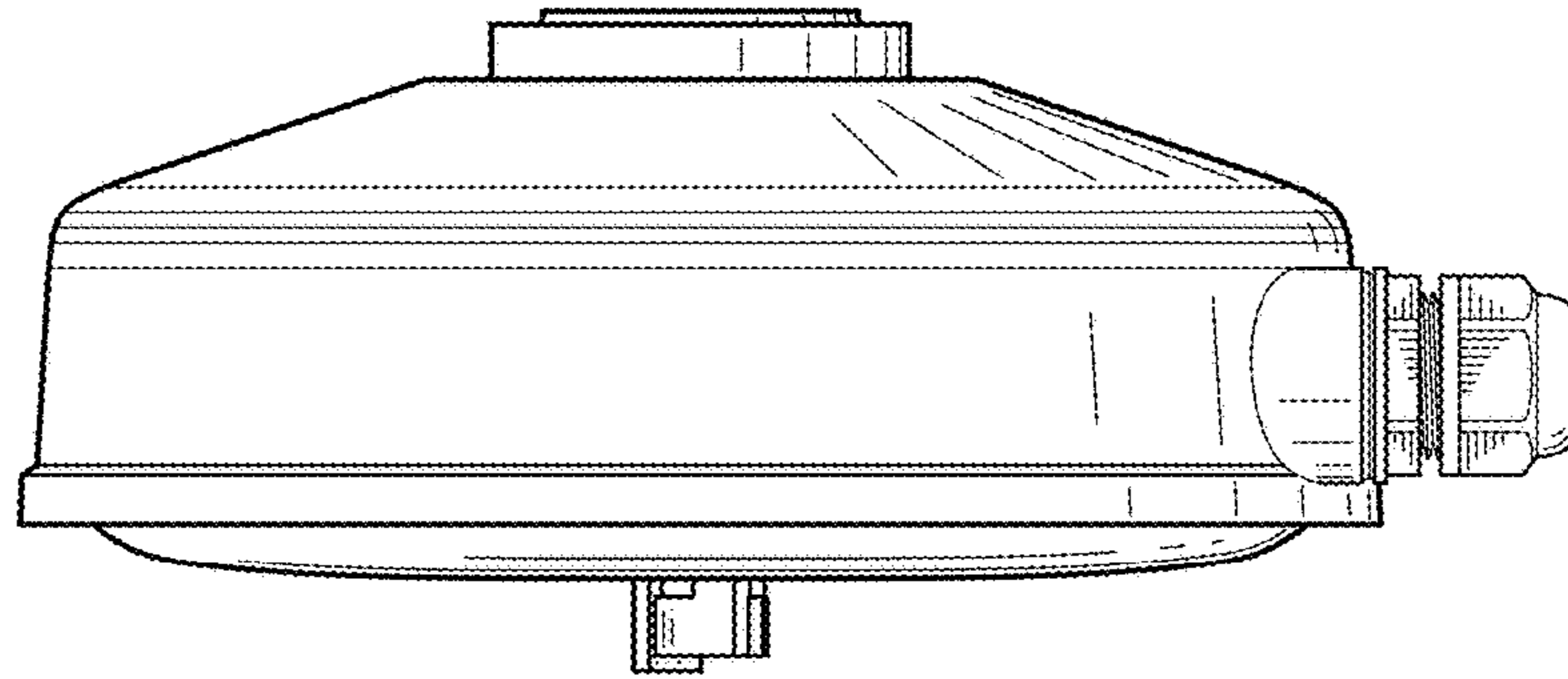
**FIG. 4**



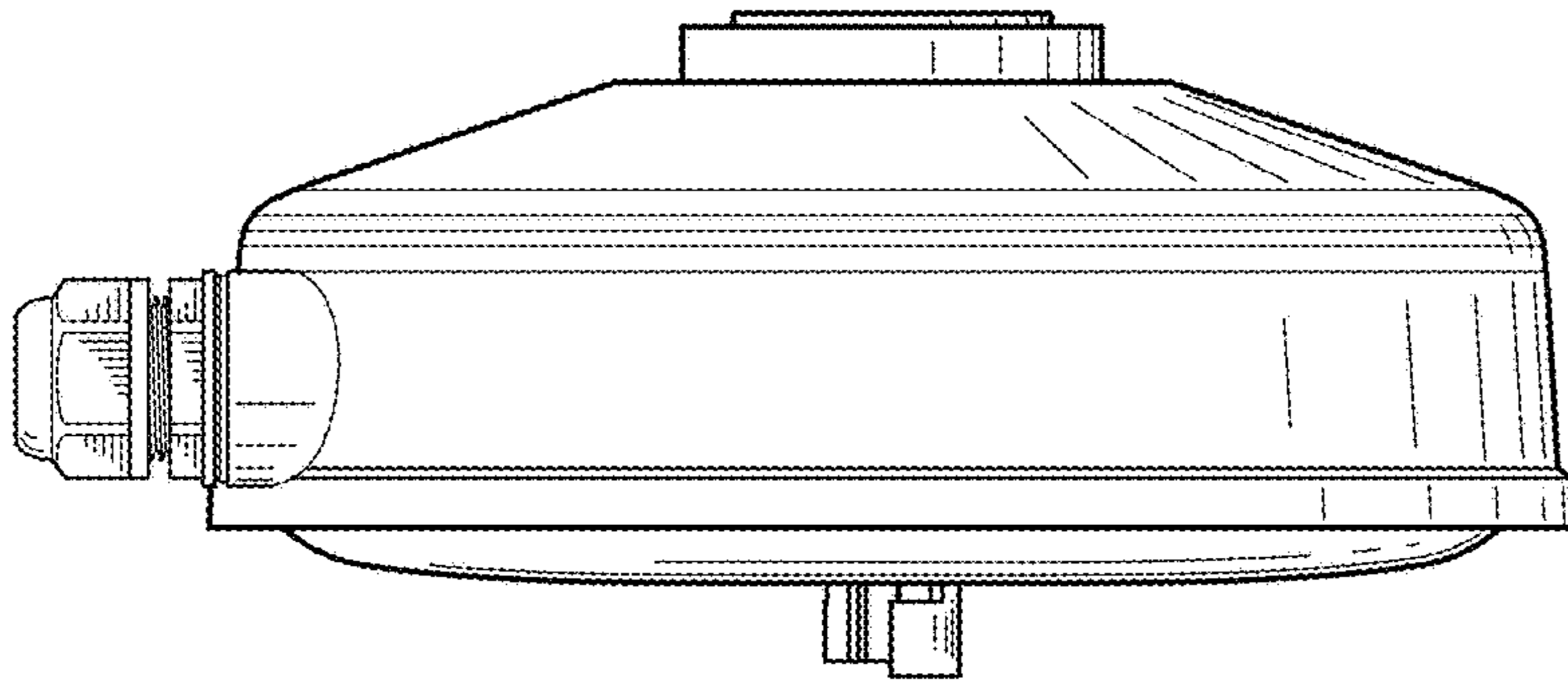
**FIG. 5**



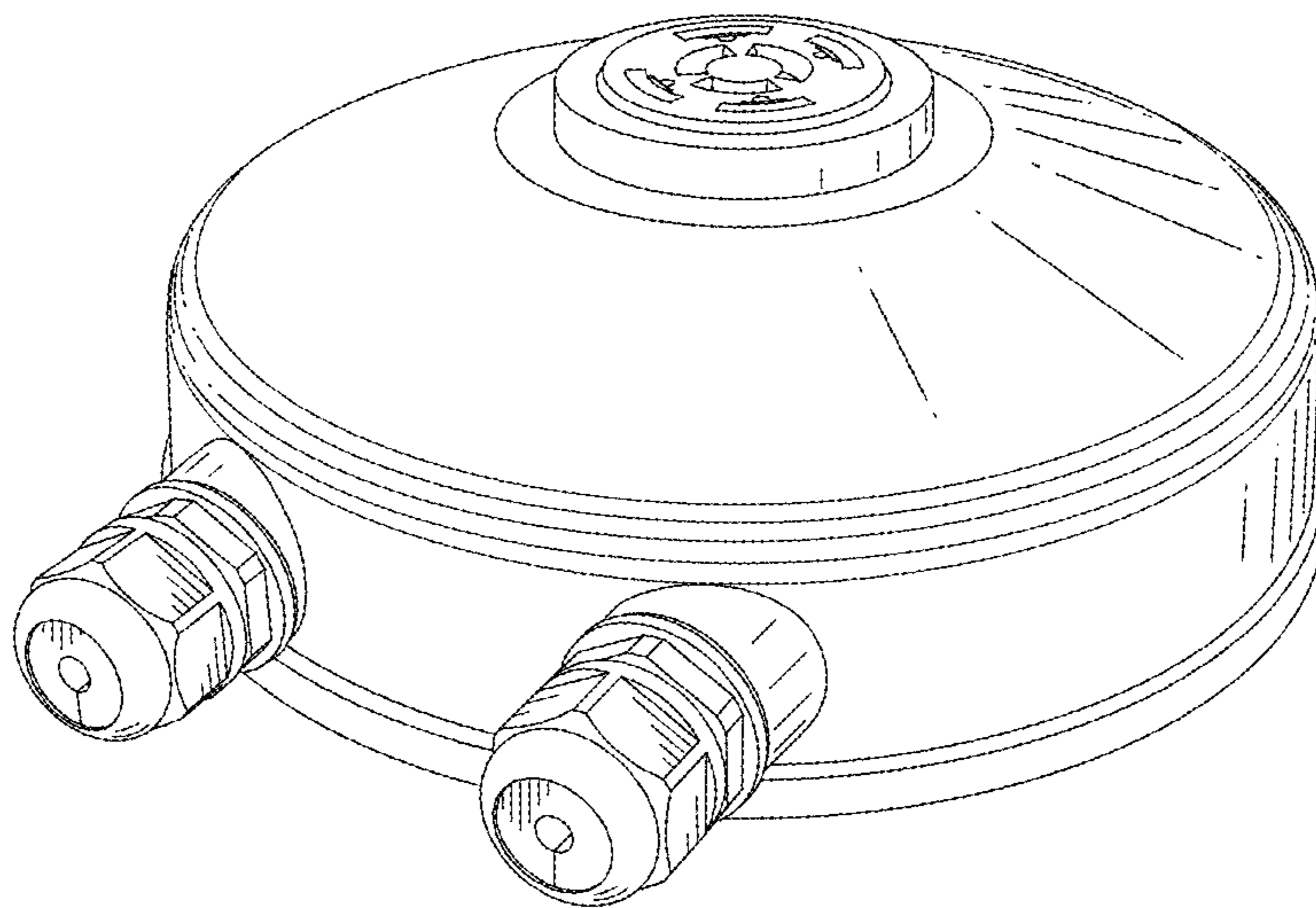
**FIG. 6**



**FIG. 7**

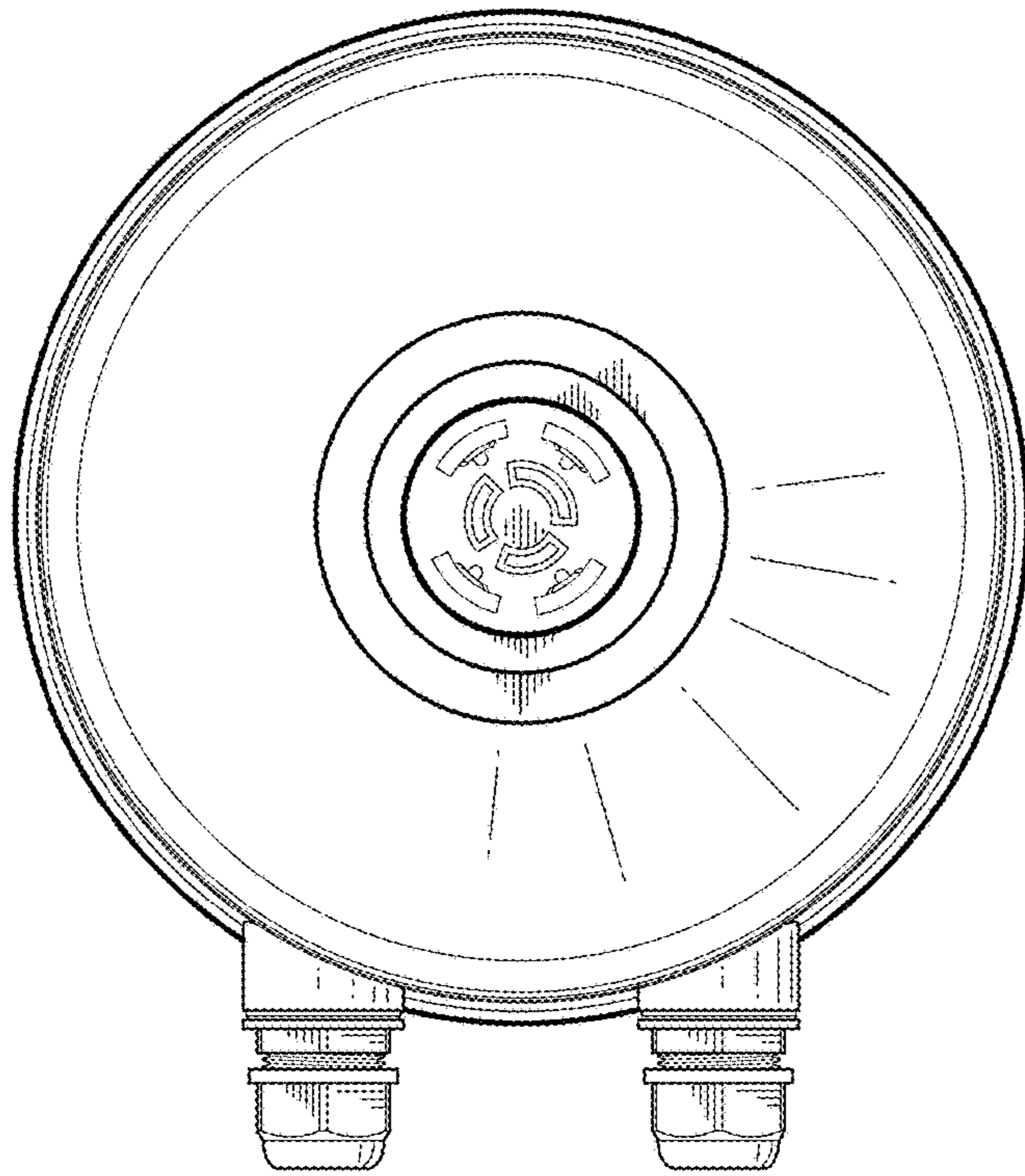


**FIG. 8**

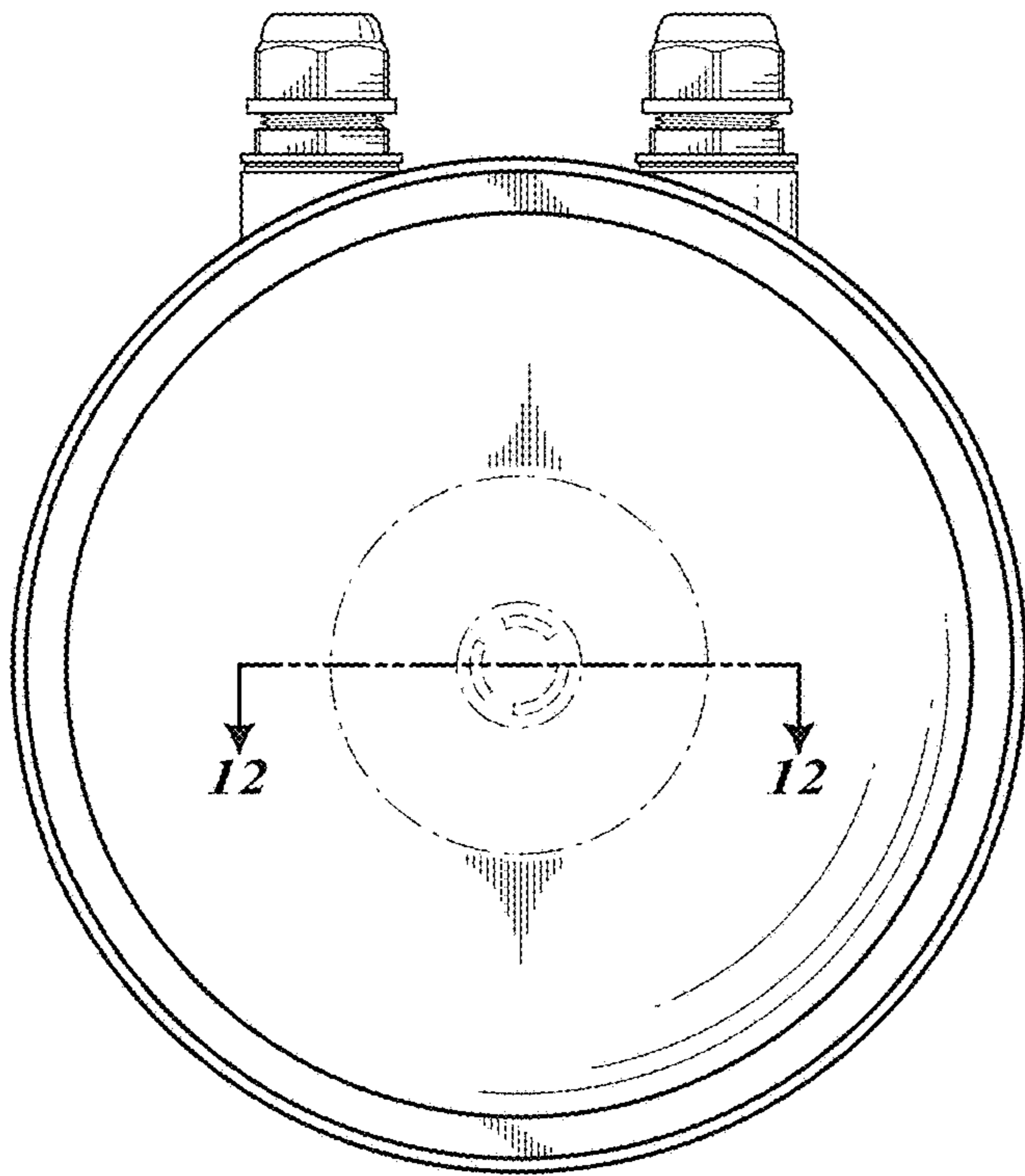


***FIG. 9***

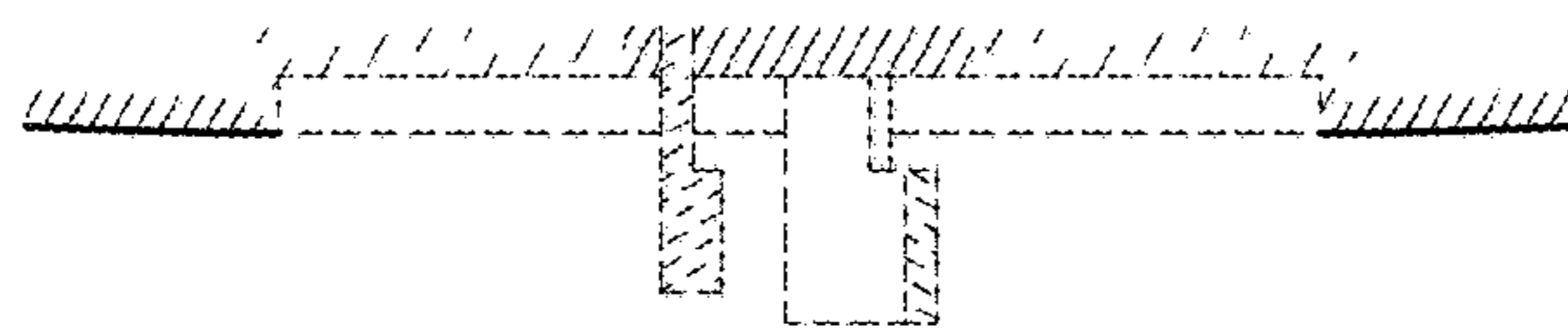




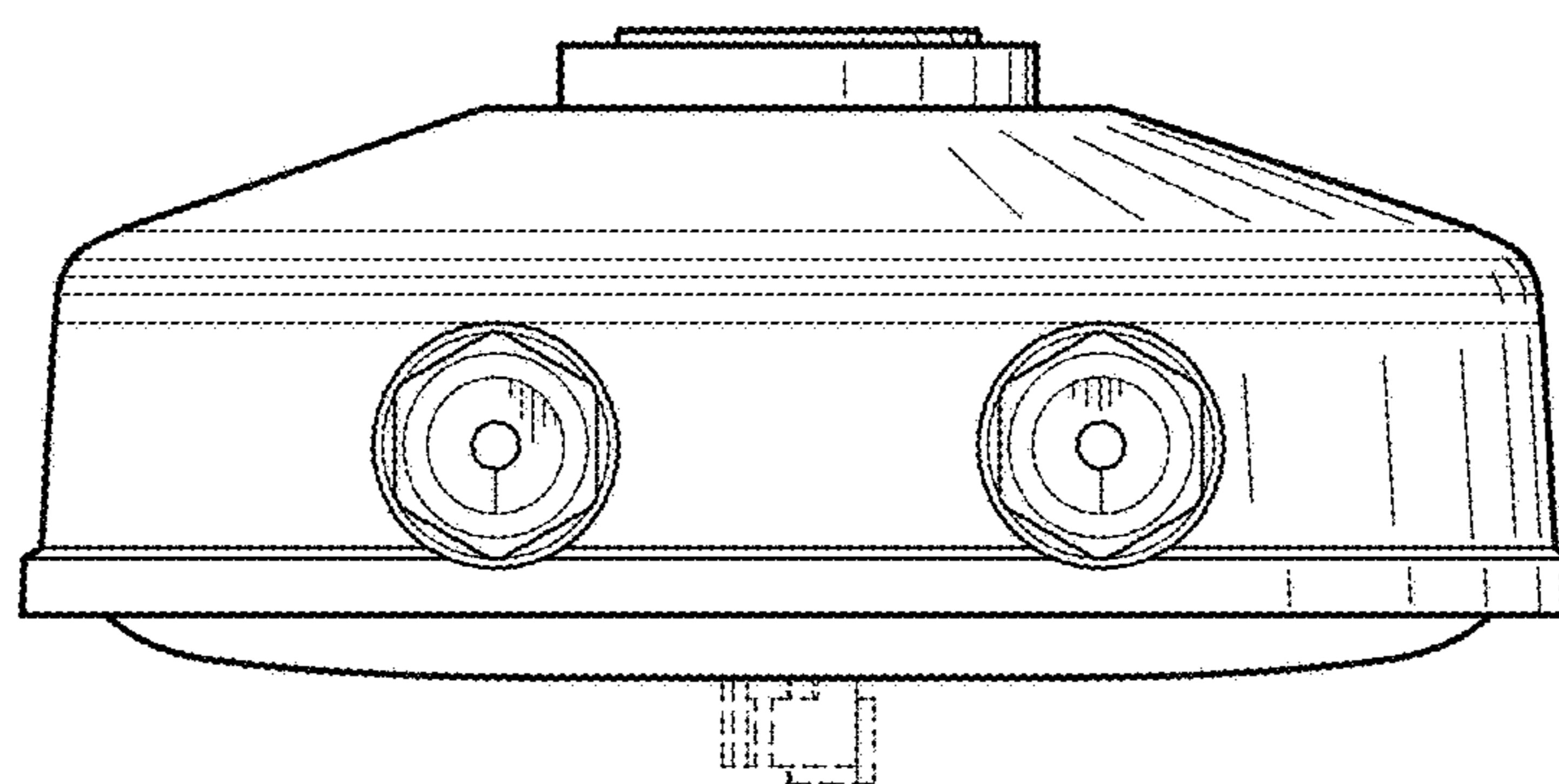
**FIG. 10**



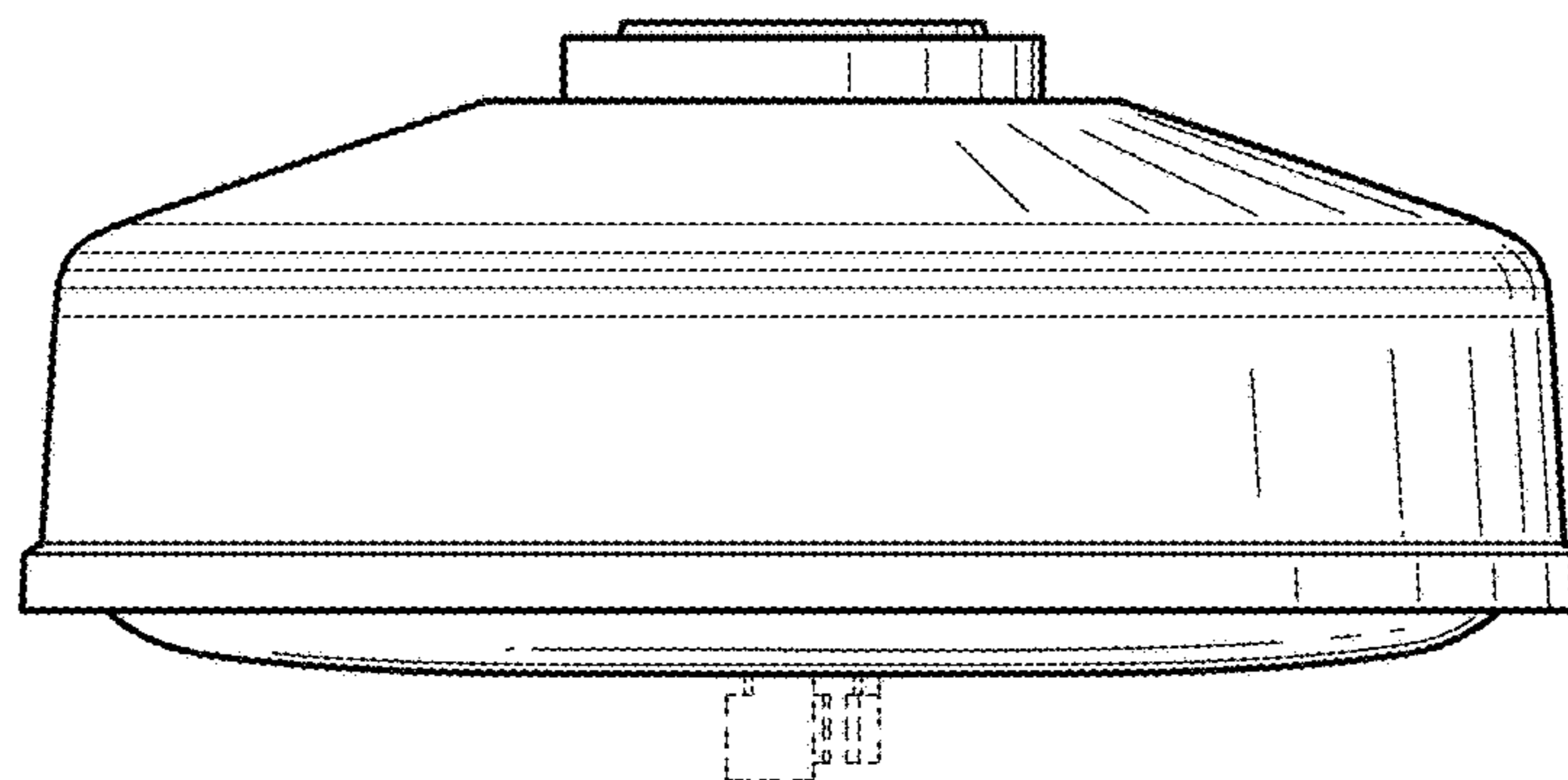
**FIG. 11**



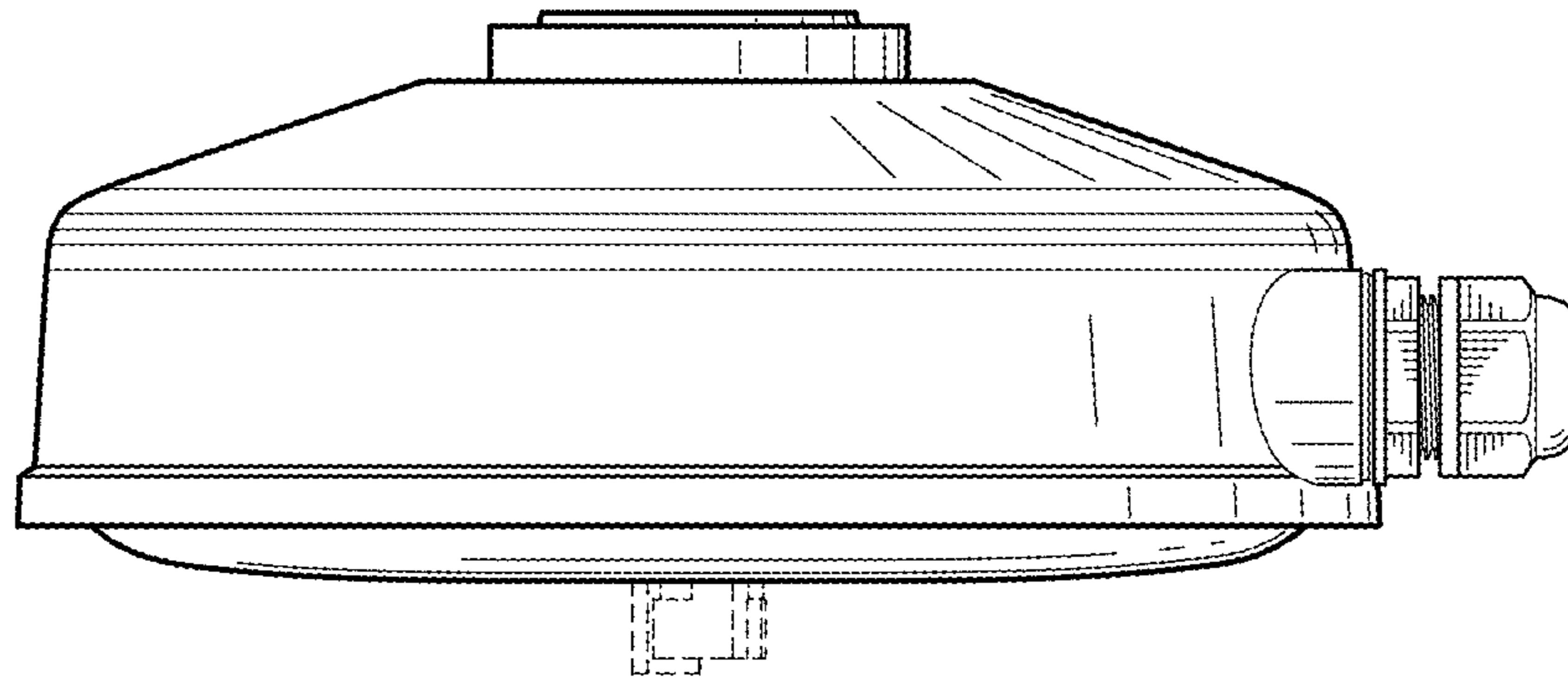
**FIG. 12**



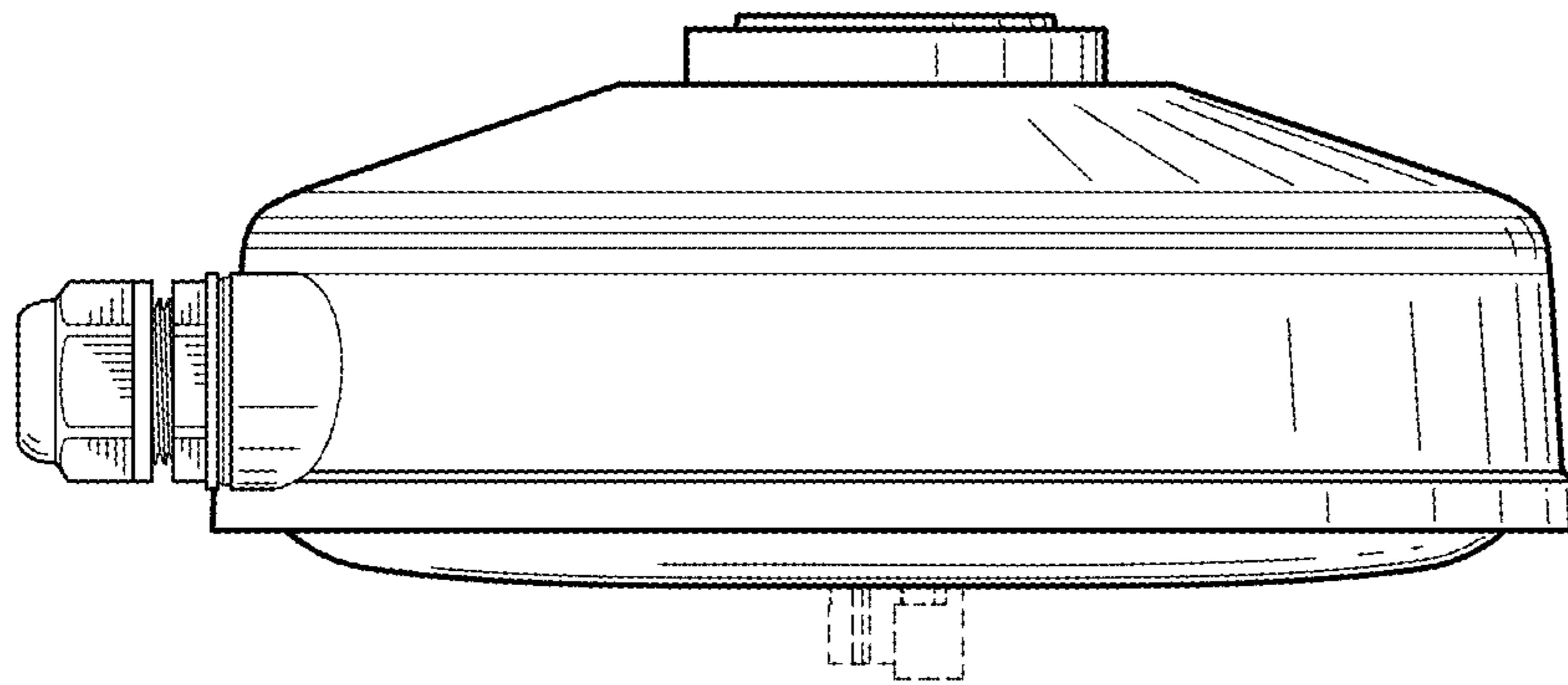
**FIG. 13**



**FIG. 14**



**FIG. 15**



**FIG. 16**