



US00D868014S

(12) **United States Design Patent** (10) **Patent No.:** **US D868,014 S**
Kim et al. (45) **Date of Patent:** **** Nov. 26, 2019**

(54) **TELEVISION RECEIVER**

(71) Applicant: **LG ELECTRONICS INC.**, Seoul (KR)

(72) Inventors: **Kyoungjung Kim**, Seoul (KR); **Hophil Lee**, Seoul (KR); **Jaewon Jeong**, Seoul (KR)

(73) Assignee: **LG ELECTRONICS INC.**, Seoul (KR)

(**) Term: **15 Years**

(21) Appl. No.: **35/506,124**

(22) Filed: **May 31, 2018**

(80) **Hague Agreement Data**

Int. Filing Date: **May 31, 2018**

Int. Reg. No.: **DM/101749**

Int. Reg. Date: **May 31, 2018**

Int. Reg. Pub. Date: **Nov. 30, 2018**

(30) **Foreign Application Priority Data**

Dec. 1, 2017 (KR) 30-2017-0056861

(51) **LOC (12) Cl.** **14-03**

(52) **U.S. Cl.**
USPC **D14/126**

(58) **Field of Classification Search**

USPC D6/300, 308, 310; D14/125, 126, 127,
D14/128, 129, 132, 336, 341, 373, 374,
D14/375, 376, 377

(Continued)

(56) **References Cited**

U.S. PATENT DOCUMENTS

D551,184 S * 9/2007 Kanou D14/126
D587,663 S * 3/2009 Cometti D14/126

(Continued)

Primary Examiner — George D. Kirschbaum

Assistant Examiner — L. A. Grabenstetter

(74) *Attorney, Agent, or Firm* — Birch, Stewart, Kolasch & Birch, LLP

(57) **CLAIM**

The ornamental design for a television receiver, as shown and described.

DESCRIPTION

1. Television receiver

1.1 : Perspective view in vertical position

1.2 : Front view in vertical position

1.3 : Back view in vertical position

1.4 : Left view in vertical position

1.5 : Top view in vertical position

1.6 : Bottom view in vertical position

1.7 : Back perspective view in vertical position

1.8 : Front view in a partially rotated position

1.9 : Perspective view in horizontal position

1.10 : Front view in horizontal position

1.11 : Back view in horizontal position

1.12 : Left view in horizontal position

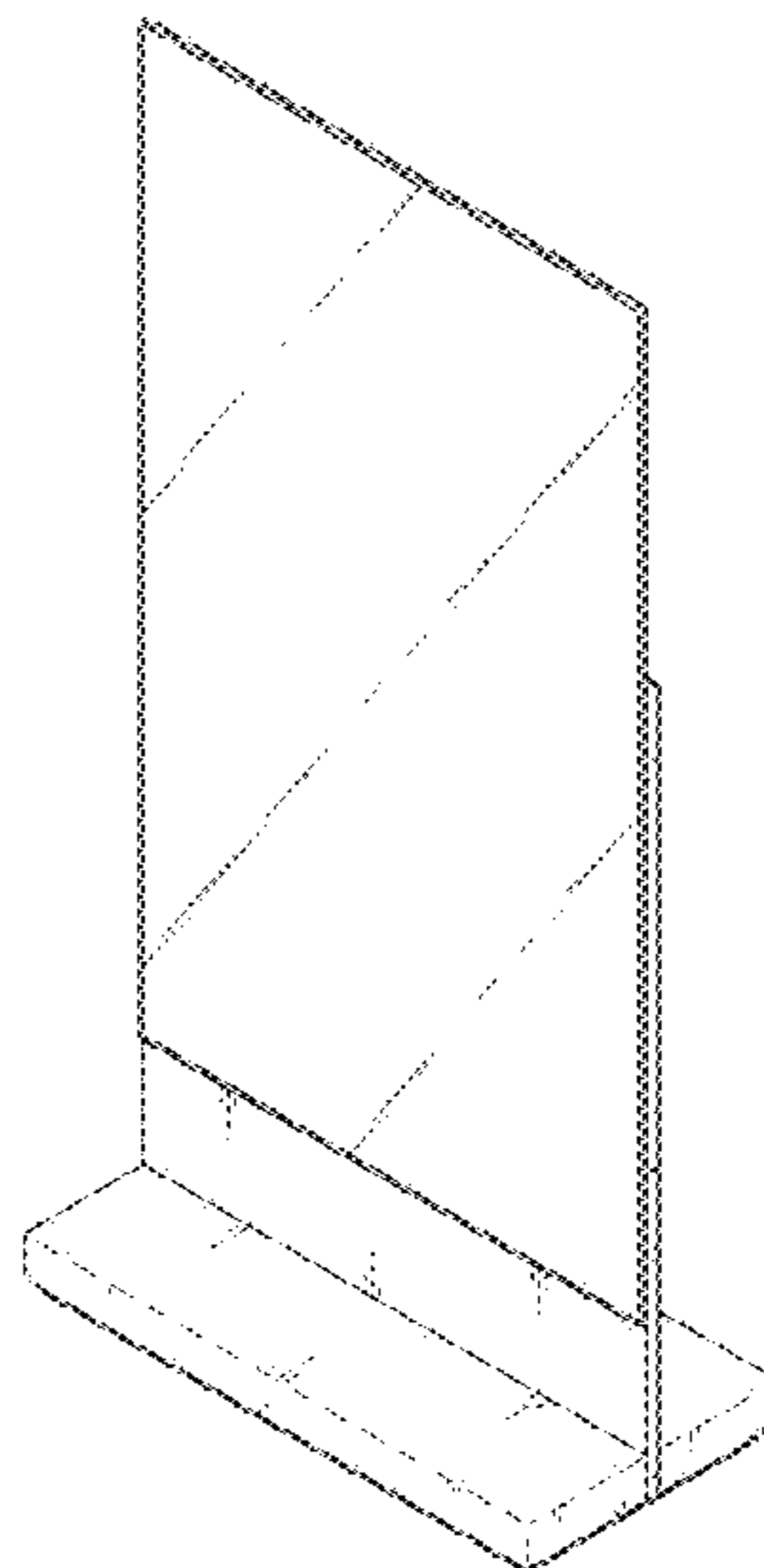
1.13 : Top view in horizontal position

1.14 : Bottom view in horizontal position

1.15 : Back perspective view in horizontal position

Reproduction 1.1 is a front perspective view of the television receiver; reproduction 1.2 is a front view thereof; reproduction 1.3 is a back view thereof; reproduction 1.4 is a left view thereof where the right view is a mirror image; reproduction 1.5 is a top view thereof; reproduction 1.6 is a bottom view thereof; reproduction 1.7 is a back perspective view thereof; reproduction 1.8 is a reference view showing the intermediate state that the display is rotating and forms no part of the claimed design; reproduction 1.9 is a front perspective view thereof in a condition that the display has been rotated at 90 degrees; reproductions 1.10 to 1.15 are the front, back, left, top, bottom and back perspective views of reproduction 1.9.

1 Claim, 15 Drawing Sheets



(58) **Field of Classification Search**

CPC G06F 1/1601; G06F 1/1605; G06F 1/162

See application file for complete search history.

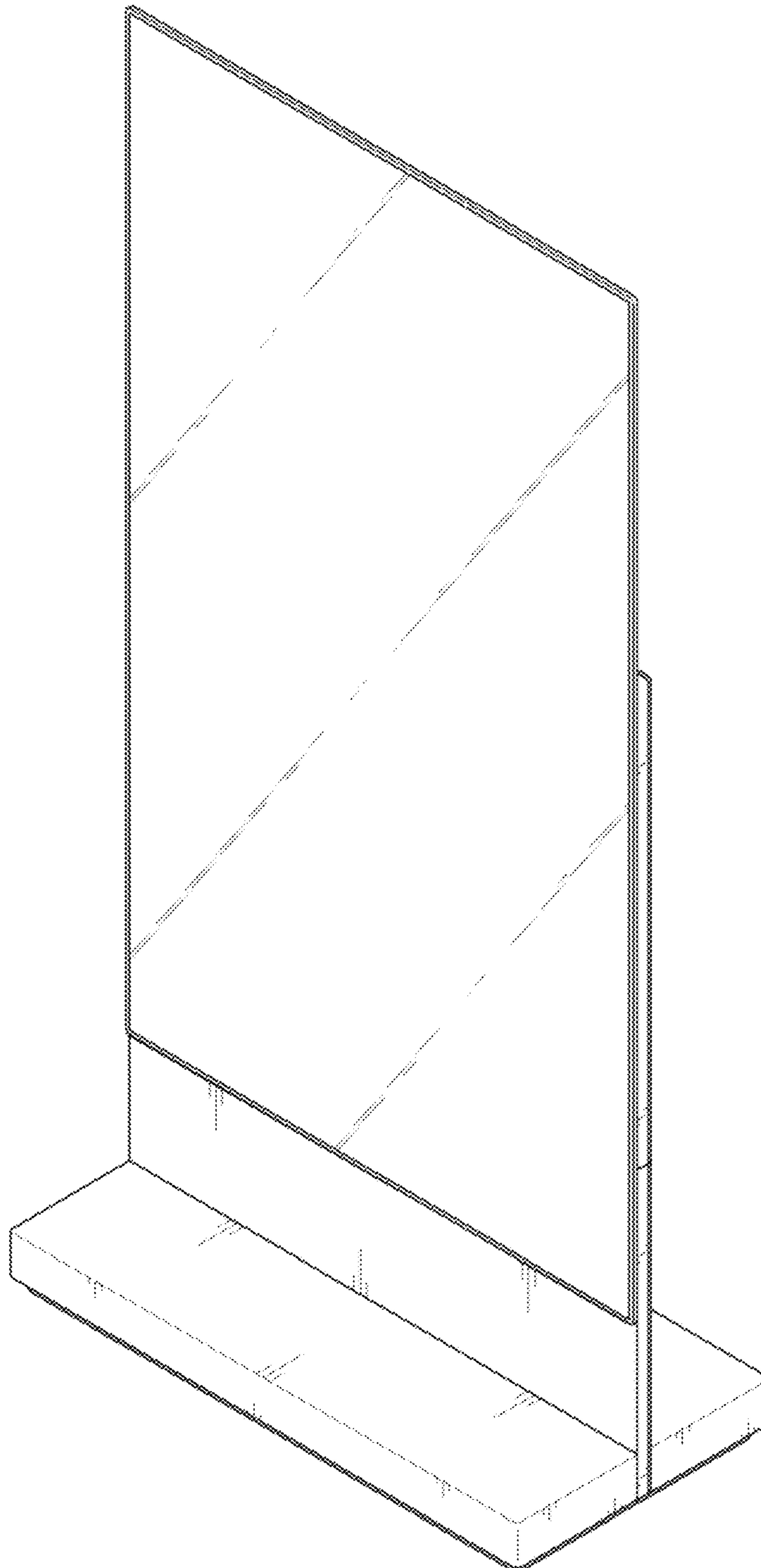
(56) **References Cited**

U.S. PATENT DOCUMENTS

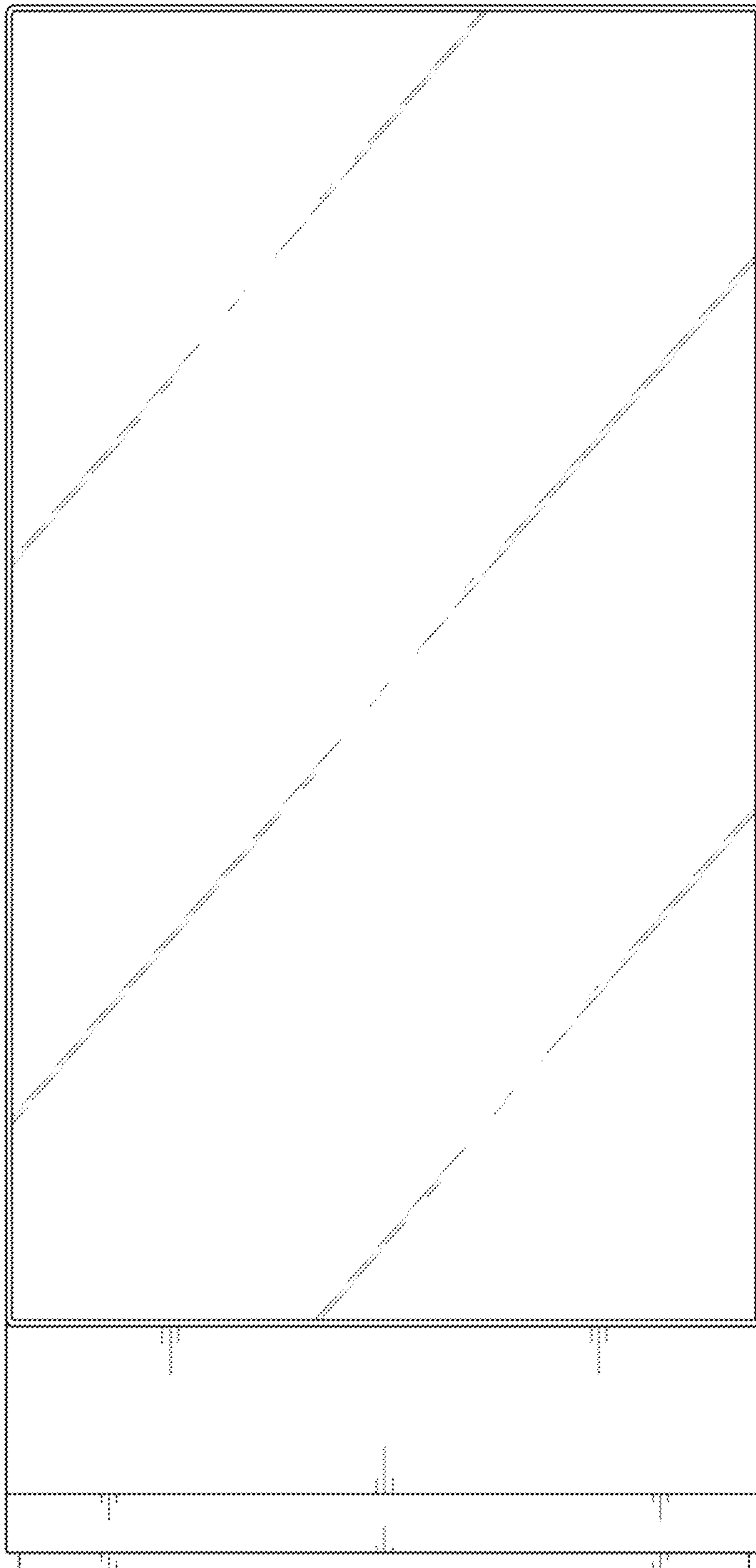
D661,672	S	*	6/2012	Kim	D14/126
D691,818	S	*	10/2013	Shibata	D6/308
D712,367	S	*	9/2014	Park	D14/126
D712,867	S	*	9/2014	Vats	D14/138 AB
D735,686	S	*	8/2015	Shin	D14/126
D736,168	S	*	8/2015	Kim	D14/126
D738,336	S	*	9/2015	Hwangbo	D14/126
D739,464	S	*	9/2015	Liu	D14/371
D759,611	S	*	6/2016	Kim	D14/126
D761,220	S	*	7/2016	Kim	D14/126
D761,221	S	*	7/2016	Kim	D14/126
D761,747	S	*	7/2016	Kim	D14/126
D766,853	S	*	9/2016	Seo	D14/126
D789,313	S	*	6/2017	Jacobi	D14/126
D824,354	S	*	7/2018	Kymm	D14/126
D827,600	S	*	9/2018	Lammens	D14/126
D835,056	S	*	12/2018	Won	D14/126

* cited by examiner

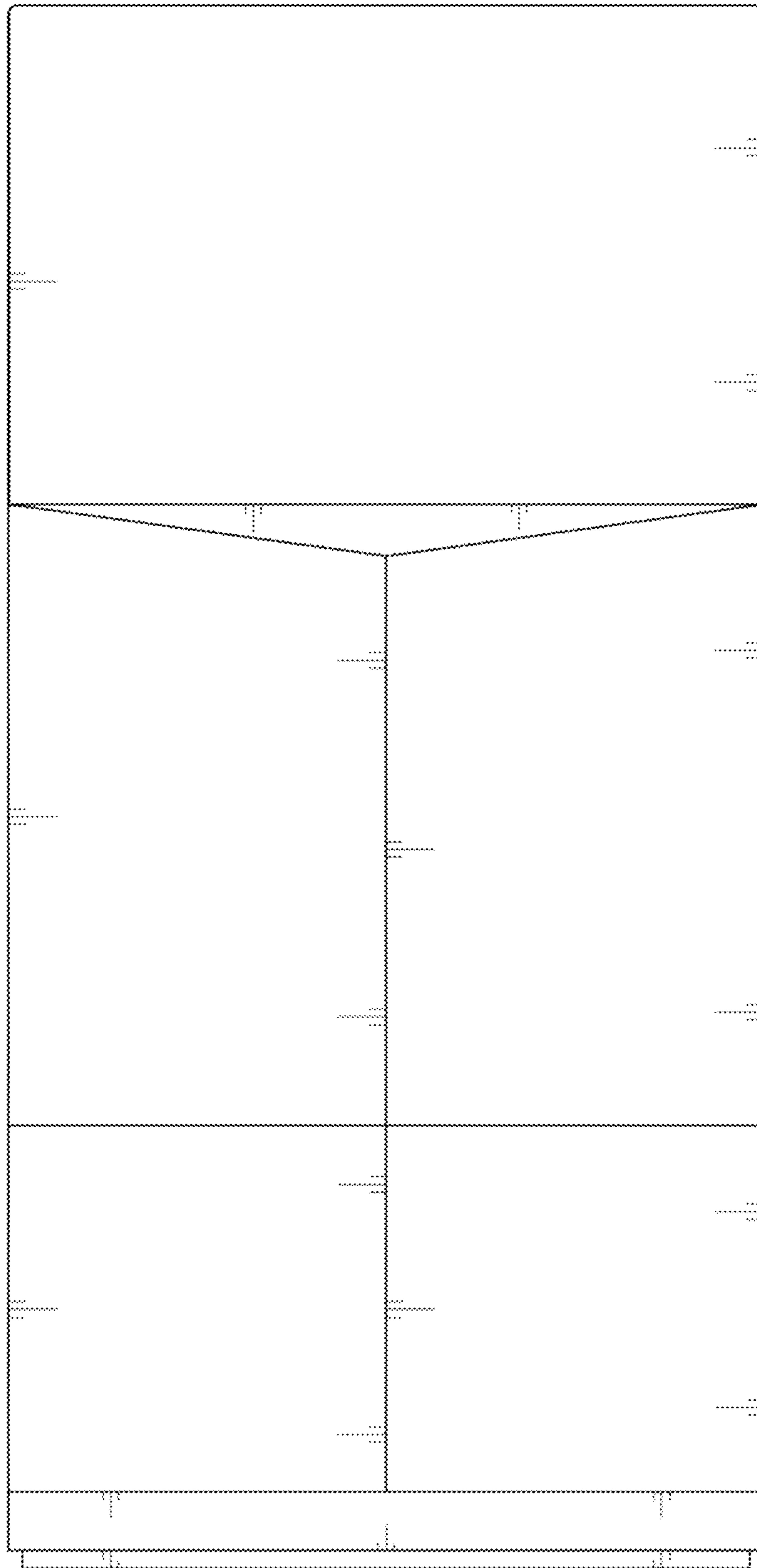
1.1



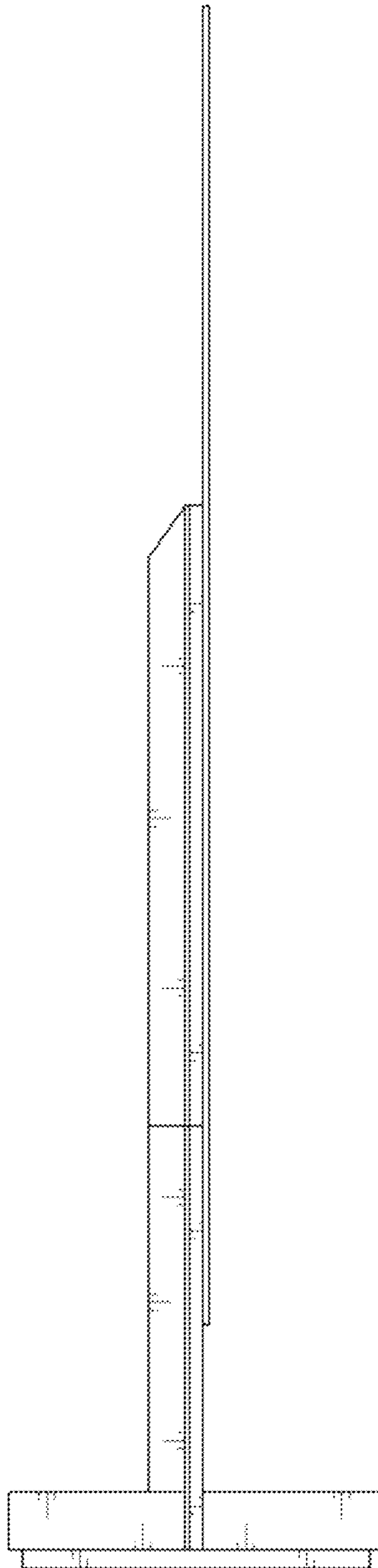
1.2



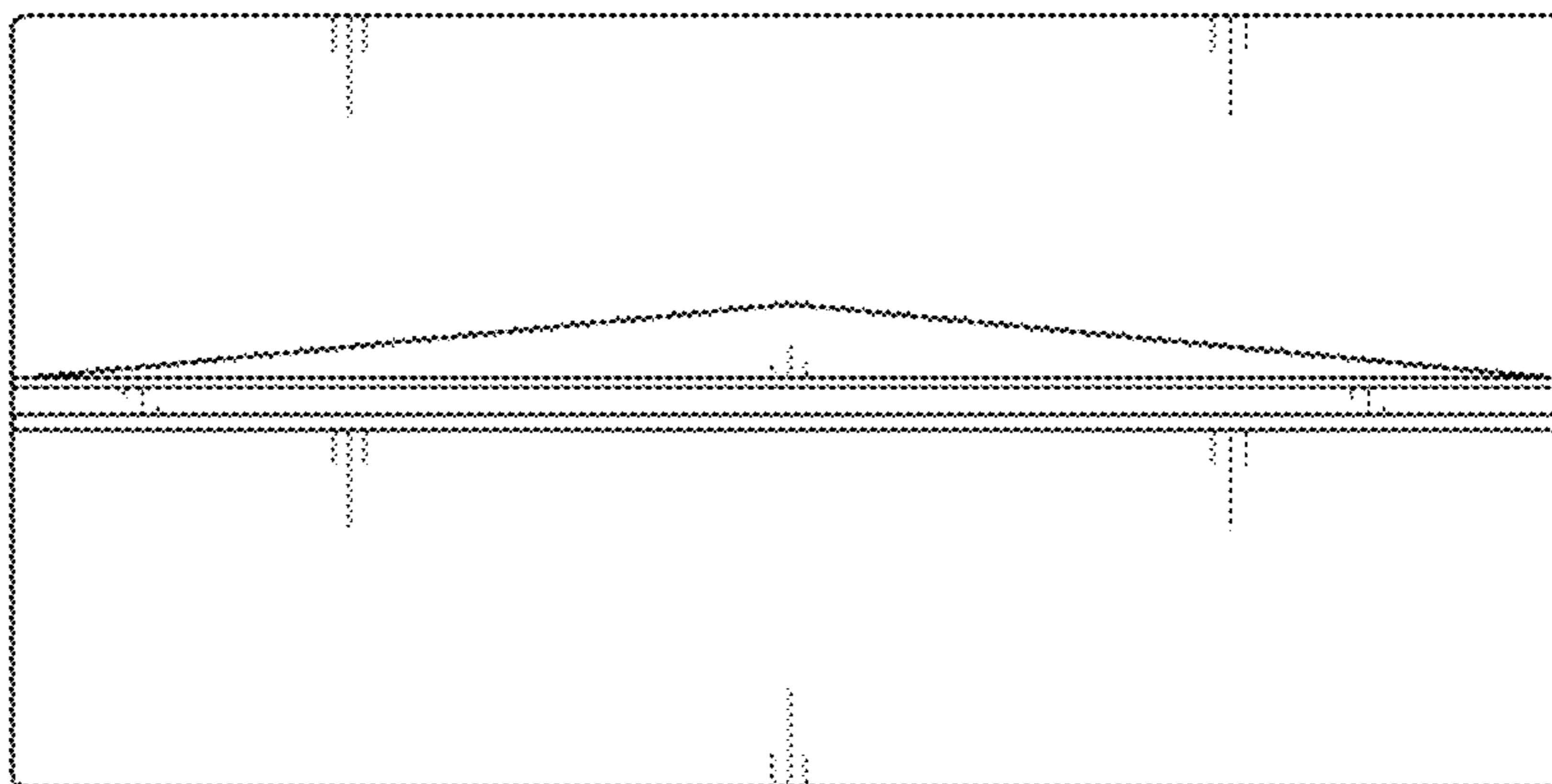
1.3



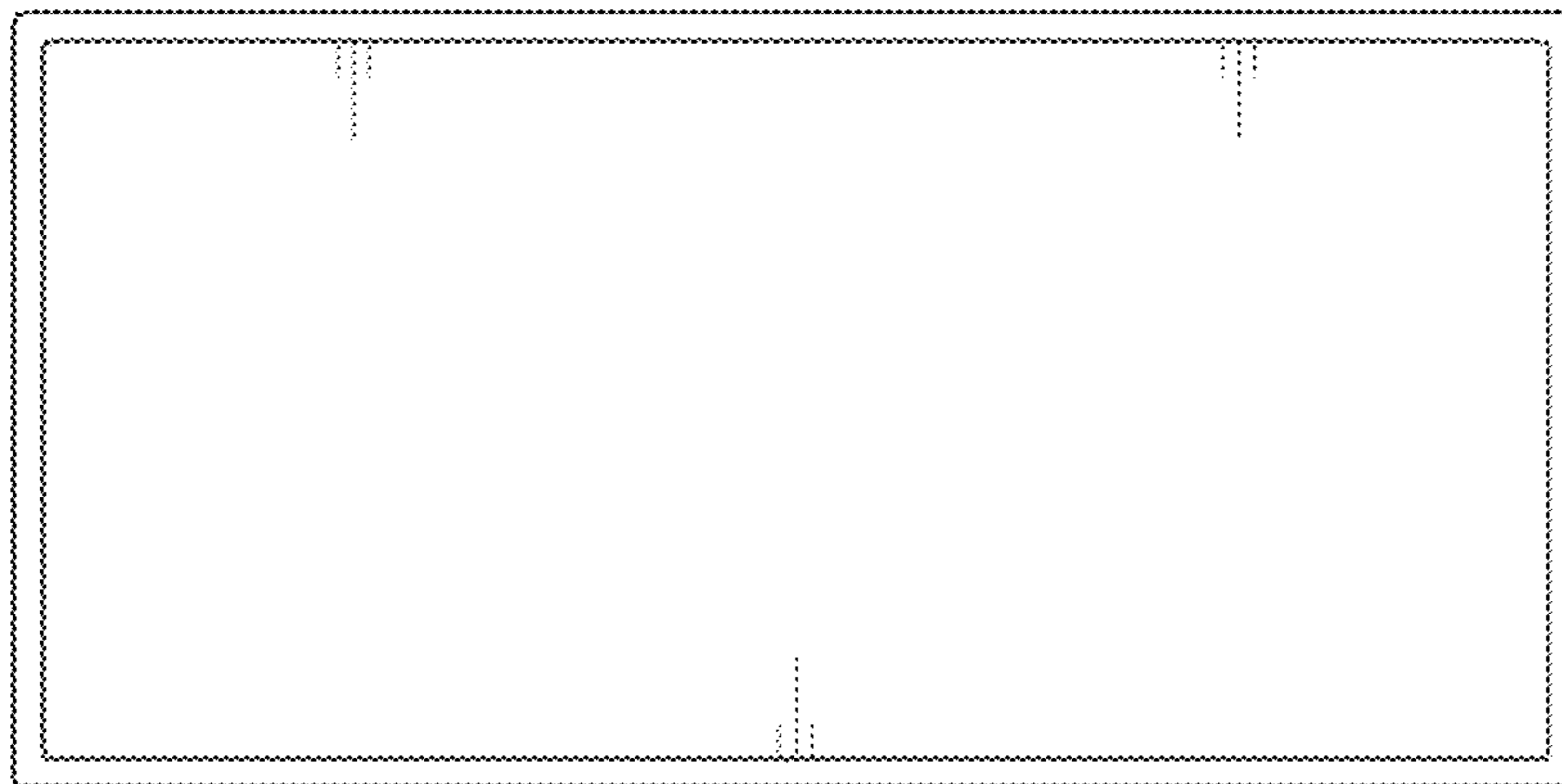
1.4



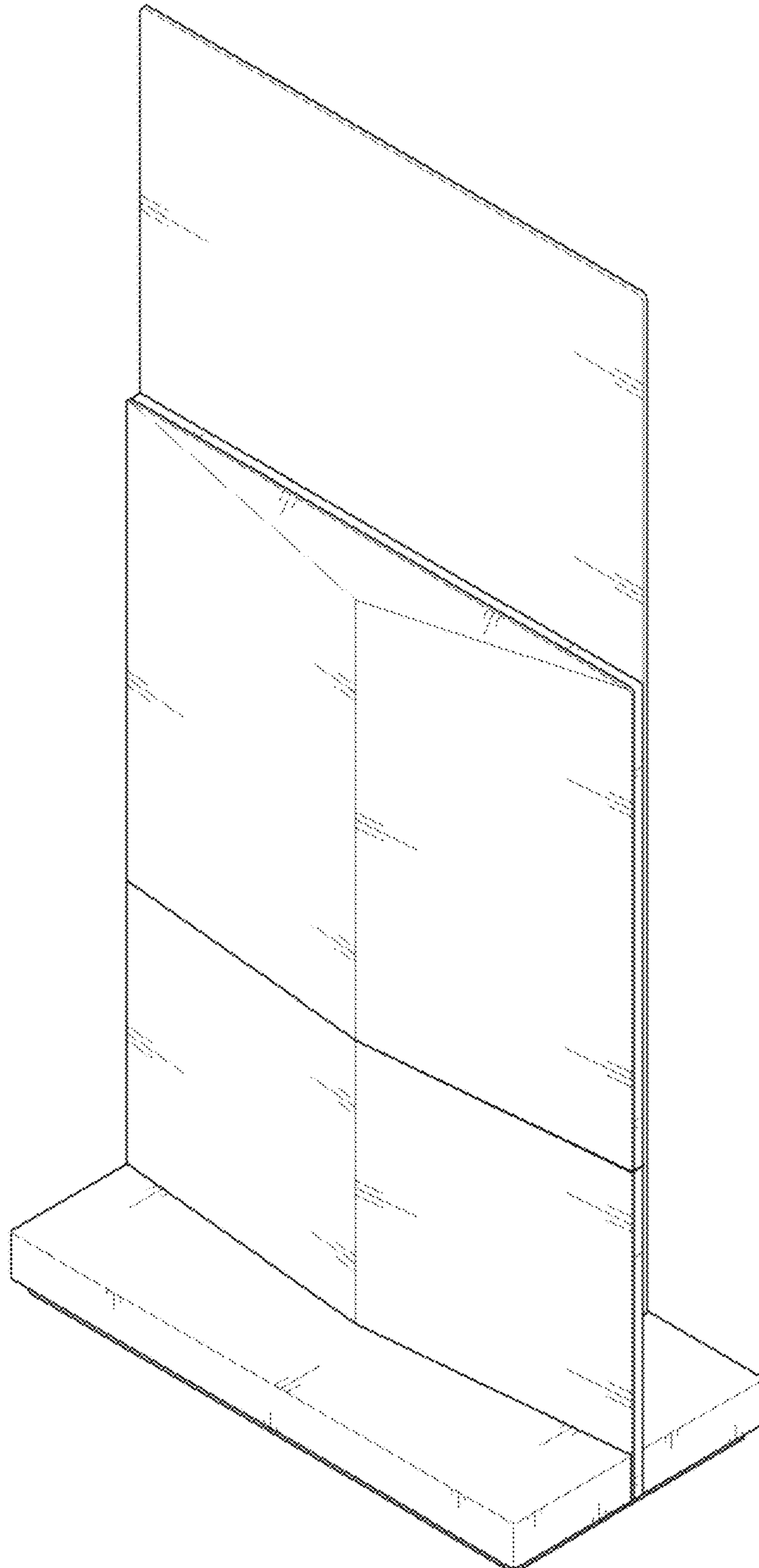
1.5



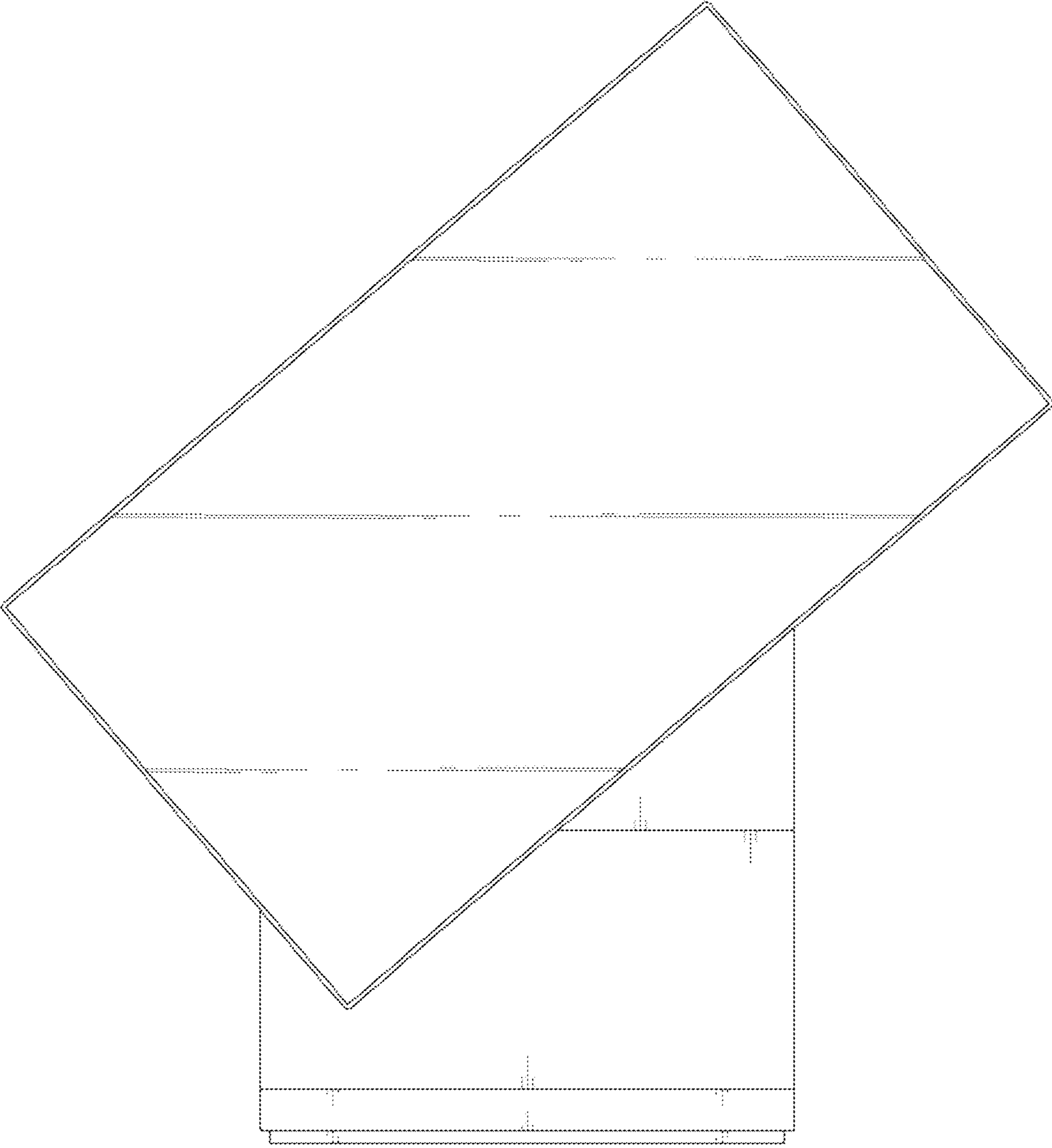
1.6



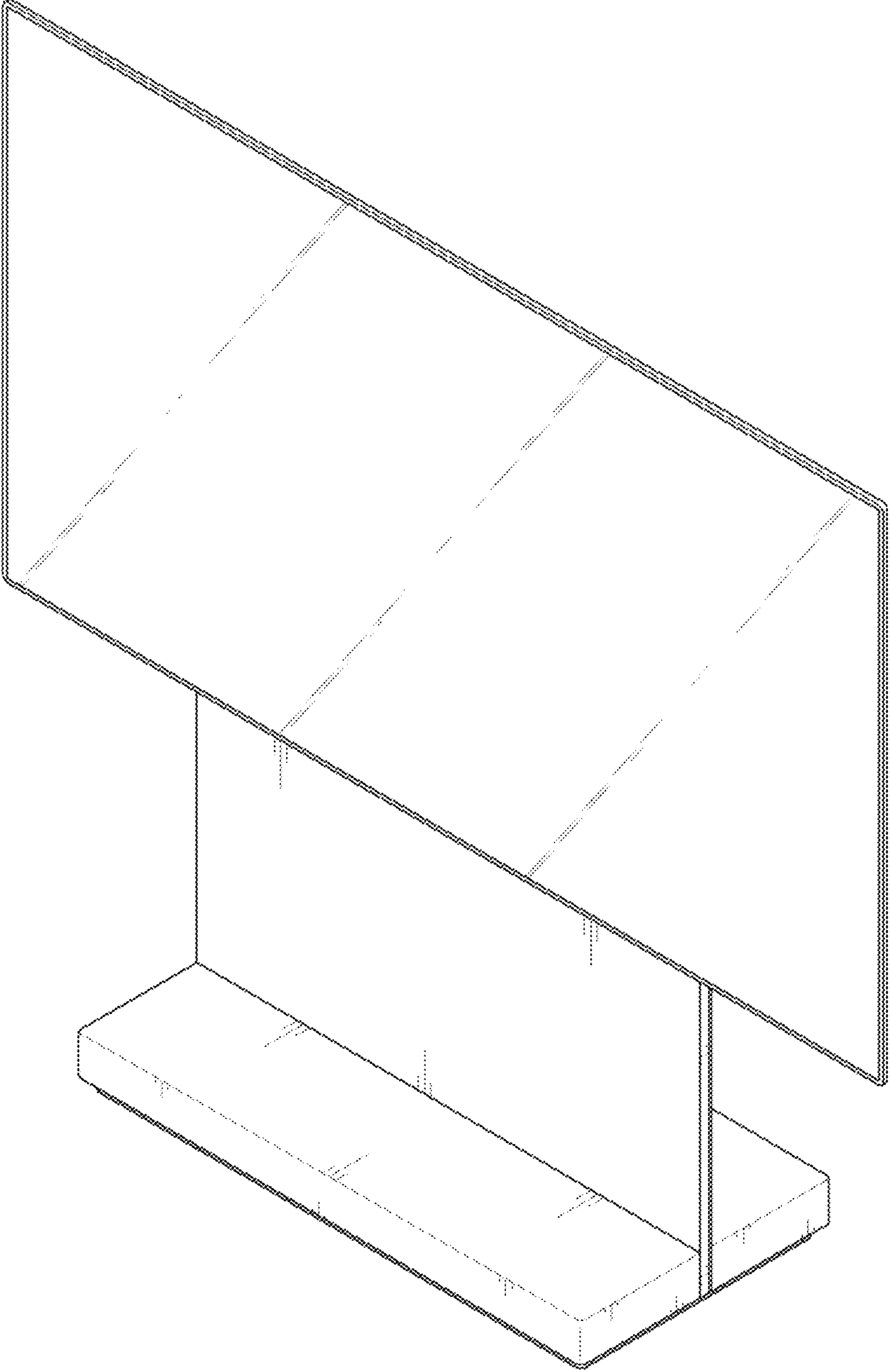
1.7



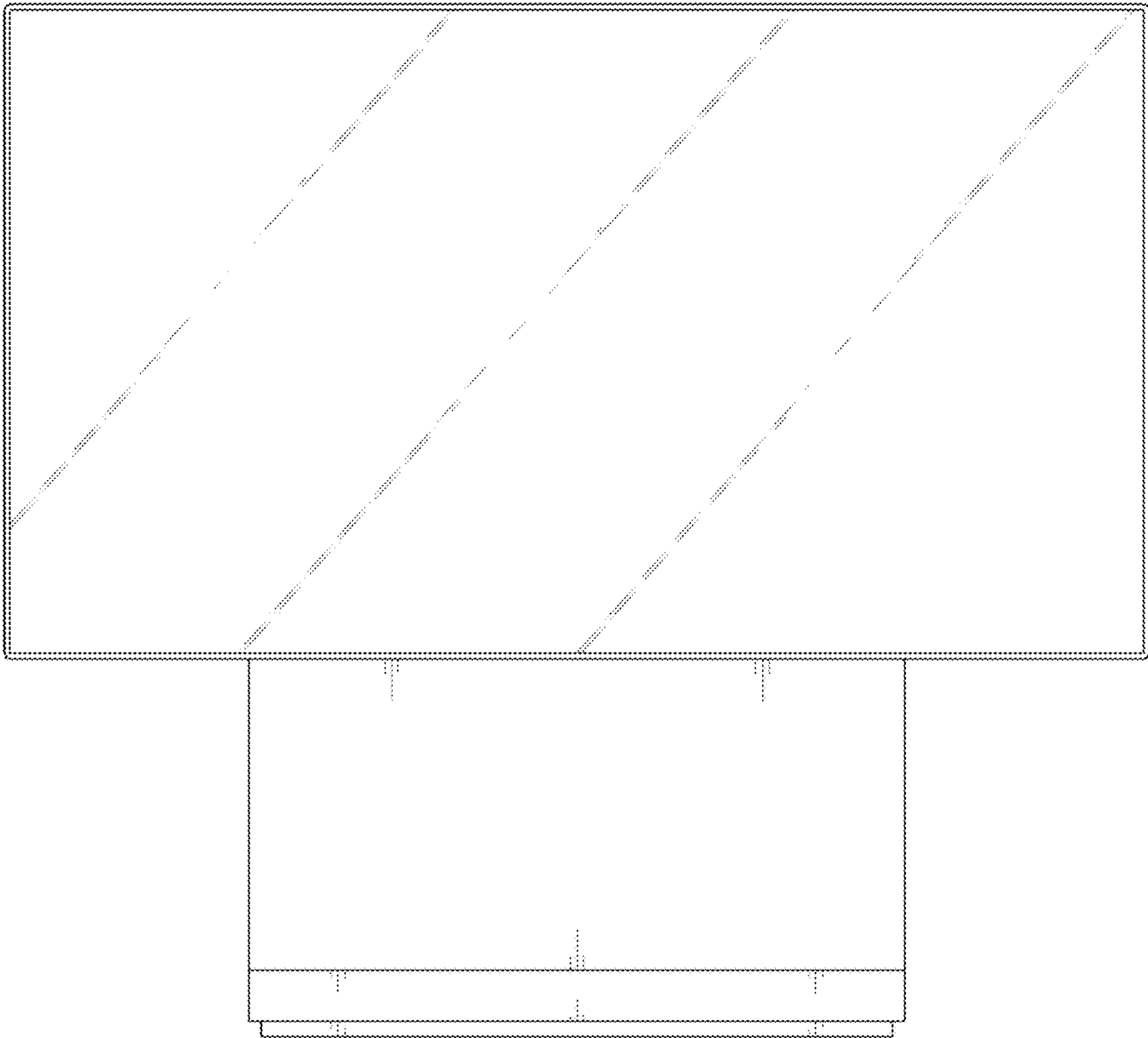
1.8



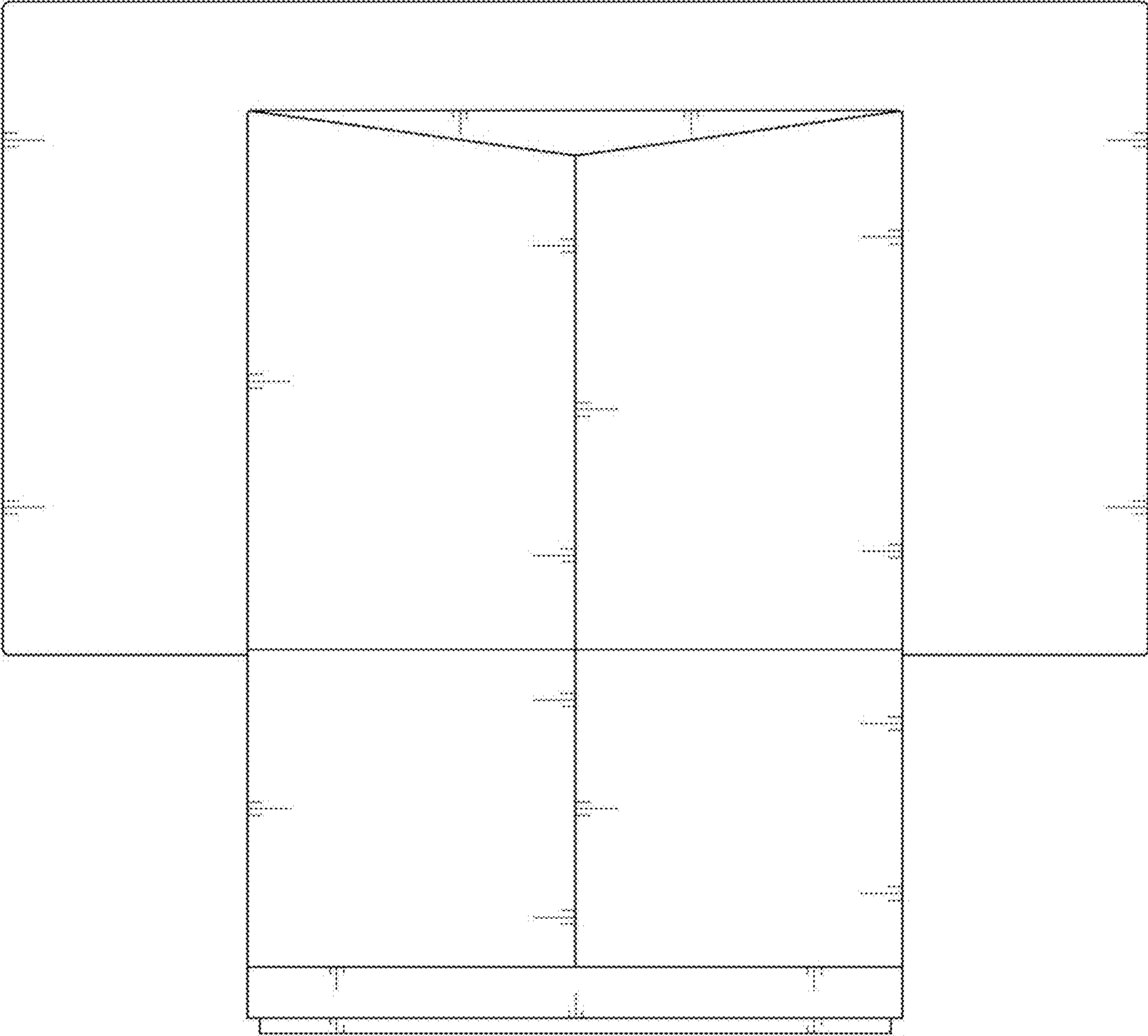
1.9



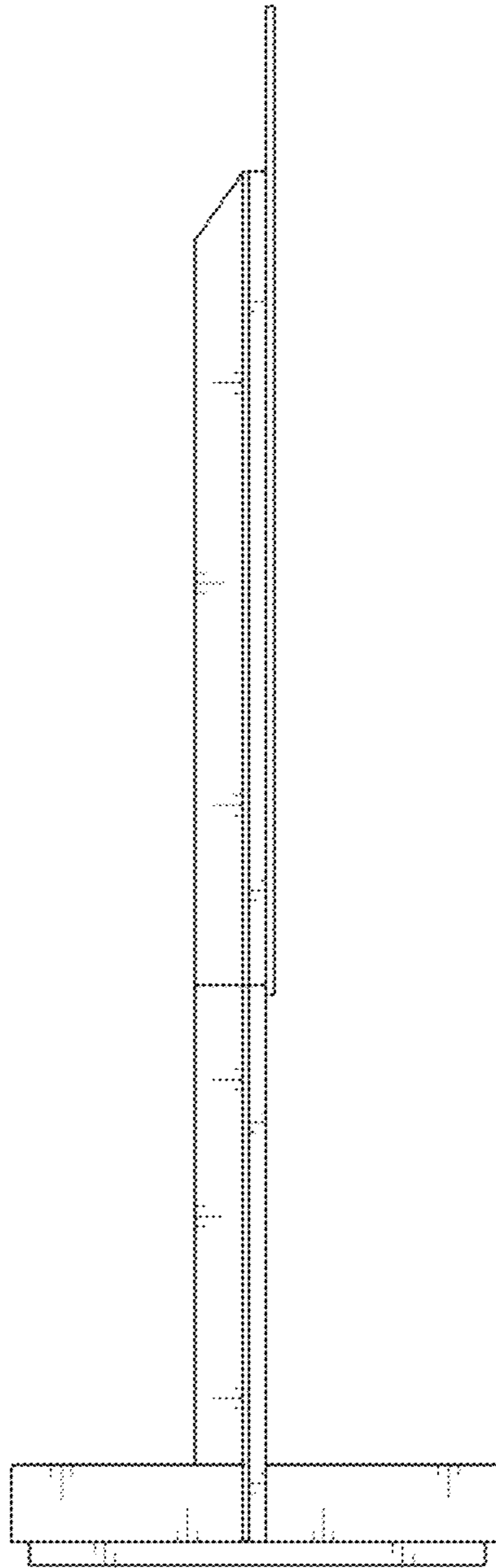
1.10



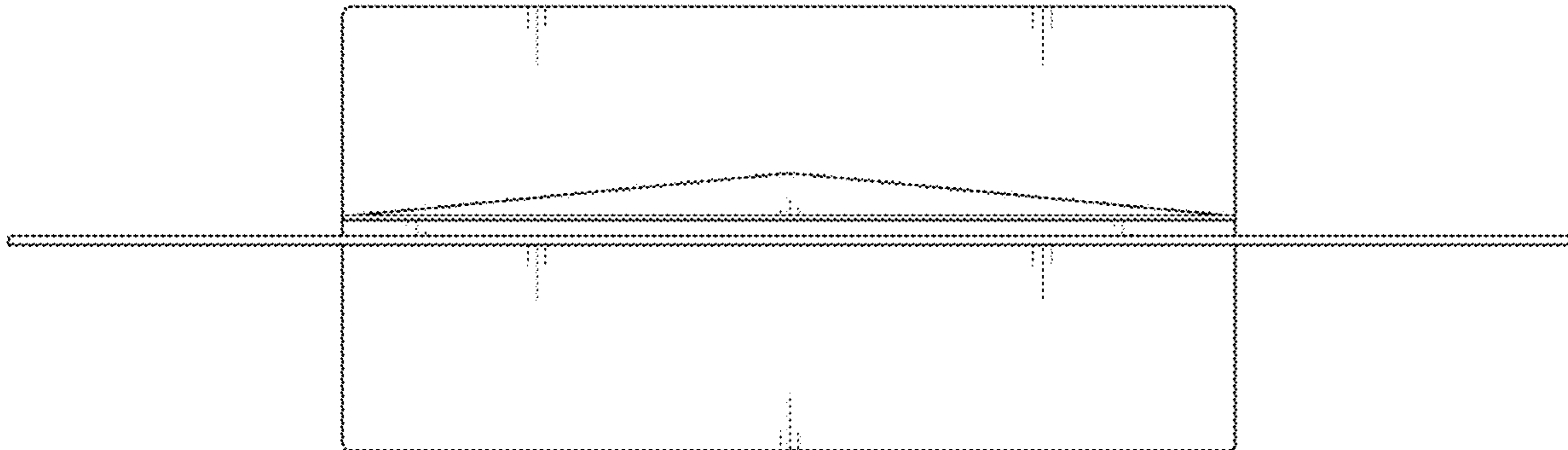
1.11



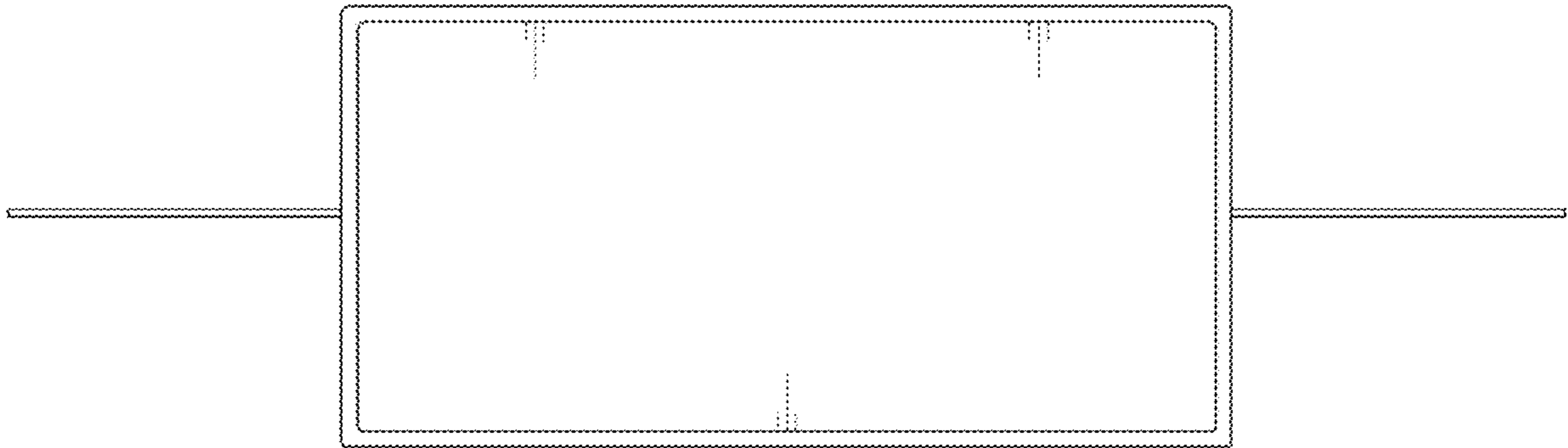
1.12



1.13



1.14



1.15

