



US00D868010S

(12) **United States Design Patent** (10) **Patent No.:** **US D868,010 S**
Bard et al. (45) **Date of Patent:** **** *Nov. 26, 2019**

(54) **ILLUMINATED CONTROL DEVICE**

OTHER PUBLICATIONS

(71) Applicant: **Lutron Technology Company LLC**,
Coopersburg, PA (US)

Legrand® / Pass & Seymour®, P&S Dimmers—DR Series Brochure, 2010, 2 pages.

(72) Inventors: **Benjamin F. Bard**, Zionsville, PA (US); **Chris Dimberg**, Easton, PA (US); **Jason C. Killo**, Emmaus, PA (US); **Matthew Philip McDonald**, Phoenixville, PA (US); **Daniel L. Twaddell**, Allentown, PA (US)

(Continued)

Primary Examiner — Selina Sikder
(74) *Attorney, Agent, or Firm* — Saidman DesignLaw Group, LLC

(73) Assignee: **Lutron Technology Company LLC**,
Coopersburg, PA (US)

(57) **CLAIM**

(*) Notice: This patent is subject to a terminal disclaimer.

The ornamental design for an illuminated control device, as shown and described.

(**) Term: **15 Years**

(21) Appl. No.: **29/569,786**

DESCRIPTION

(22) Filed: **Jun. 30, 2016**

(51) **LOC (12) Cl.** **13-03**

(52) **U.S. Cl.**
USPC **D13/174**

(58) **Field of Classification Search**
USPC D13/162, 171, 177, 174; D14/487, 489
CPC H01H 3/12; H01H 9/02; H01H 9/16;
H01H 9/18; H01H 9/181; H01H 9/182;
H01H 13/04; H01H 13/14; H01H
2009/187; H05B 33/0803; H05B 33/0863;
H05B 37/02; H05B 37/0254; H05B
37/0272; H05B 39/02; H05B 39/04;
H05B 39/085; H05B 39/086; H05B
39/088; G08C 17/02

See application file for complete search history.

FIG. 1 is a front perspective view for an illuminated control device showing a first state in a sequence showing our new design;
FIG. 2 is a front view thereof;
FIG. 3 is a left side view thereof;
FIG. 4 is a right side view thereof;
FIG. 5 is a top view thereof;
FIG. 6 is a bottom view thereof;
FIG. 7 is a front perspective view thereof, showing a second state thereof;
FIG. 8 is a front view thereof;
FIG. 9 is a left side view thereof;
FIG. 10 is a right side view thereof;
FIG. 11 is a top view thereof; and
FIG. 12 is a bottom view thereof.

The gray shaded elements depict illumination.
The dashed broken lines illustrate portions of the control device, which form no part of the claimed design.
The claimed design sequentially transitions from the first state to the second state in the sequence. The period with which one image transitions to another image forms no part of the claimed design.

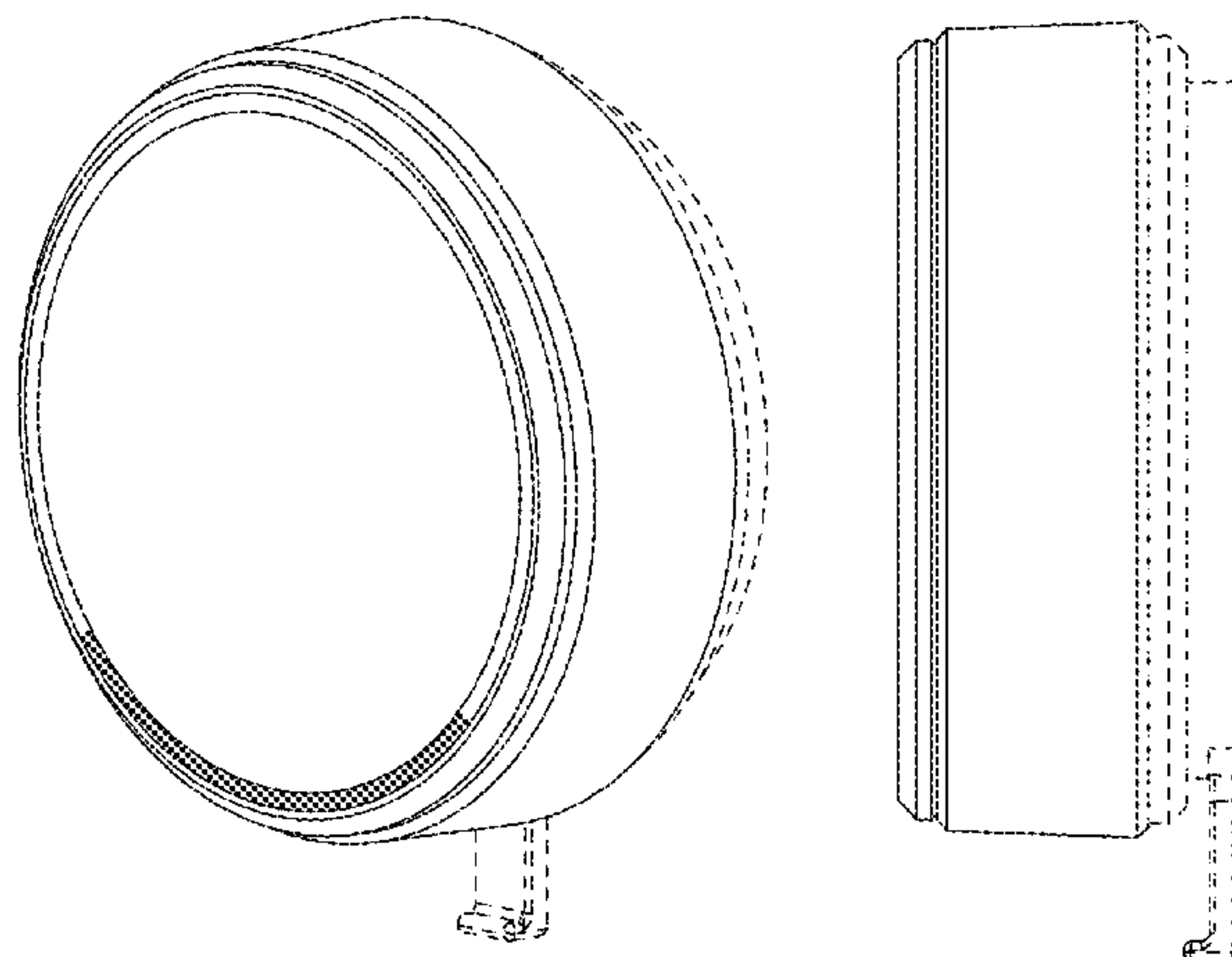
(56) **References Cited**

U.S. PATENT DOCUMENTS

5,392,388 A * 2/1995 Gibson G06F 3/04845
345/684
D558,692 S * 1/2008 Neveu D13/174
D669,499 S * 10/2012 Gardner D14/495
8,786,196 B2 7/2014 Biery et al.

(Continued)

1 Claim, 6 Drawing Sheets



(56)

References Cited

U.S. PATENT DOCUMENTS

D727,928	S *	4/2015	Allison	D14/485
D739,872	S *	9/2015	Bang	D14/488
D744,535	S *	12/2015	Shin	D14/489
D748,648	S *	2/2016	Kim	D14/486
D752,072	S *	3/2016	Song	D14/486
D755,037	S *	5/2016	Czerwinski, Jr.	D8/300
D761,277	S *	7/2016	Harvell	D14/485
D761,812	S *	7/2016	Motamedi	D14/485
D762,716	S *	8/2016	Yang	D14/489
D763,308	S *	8/2016	Wang	D14/486
D776,717	S *	1/2017	Asai	D14/494
D777,200	S *	1/2017	Luo	D14/488
D786,932	S *	5/2017	Kim	D14/488
9,746,159	B1 *	8/2017	Fletcher	F21V 15/01
2007/0057922	A1 *	3/2007	Schultz	G06F 3/03547 345/173
2007/0136679	A1 *	6/2007	Yang	H04N 5/44513 715/772
2010/0175971	A1 *	7/2010	Kim	B60R 25/04 200/313
2013/0328500	A1 *	12/2013	Toda	H05B 33/0863 315/292
2014/0117871	A1	5/2014	Swatsky et al.		
2015/0371534	A1	12/2015	Dimberg et al.		
2016/0128586	A1 *	5/2016	Parton	A61B 5/02405 600/479
2016/0196635	A1 *	7/2016	Cho	G06T 3/40 345/660
2016/0212368	A1 *	7/2016	Zhang	H04N 5/4403
2017/0185240	A1 *	6/2017	Delrosario	G06F 3/0482

OTHER PUBLICATIONS

Legrand®, Dimmers Brochure, 2015, 18 pages.
 Lumenpulse™, Lumentone™ Specification Sheet, 2013, 4 pages.
 Lumenpulse™, Lumentone™ Installation Instructions, 2013, 1 page.
 Lumenpulse™, Lumentone™ Quick Reference Guide, 2015, 3 pages.
 LTECH, LED Controller Touch RGB DMX/RF 4 Zones—DX8, <http://ltechled.eu/en/dmx/1293ledcontrollertouchdx8dmx.html>, available at least as early as Jun. 3, 2016.
 Diode LED, DMX Wall Mount Controller, <https://www.diodeled.com/dmxwallmountcontroller.html>, available at least as early as Jun. 3, 2016.
 Fontana Fountains, Glass-Touch RGB Controller, [luminaires/glass-touch-rgb-controller, available at least as early as Jun. 3, 2016.](http://www.fontanafountains.com/products/underwater-illumination/thSMARTLED-</p>
</div>
<div data-bbox=)

Super Bright LEDs Inc., Wall Mount Touch Color RGB Controller, <https://www.superbrightleds.com/moreinfo/controllers/wall-mount-touch-color-rgb-controller-dynamic-color-changing-modes-3-amps-per-channel/1484/#/tab/Reviews>, available at least as early as Jun. 3, 2016.

Milight, RGBW Remote, <http://www.milight.com/milight-rgbw-remote/>, available at least as early as Jun. 3, 2016.

RGBZONE, DC 12V-24V Wall-mounted Touch Panel Switch Controller Full Color LED Dimmer, https://www.amazon.com/RGBZONE-12V-24V-Wall-mounted-Switch-Controller/dp/BooRCEHNOI/ref=pd_sbs_6o_2?_encoding=UTF8&pd_rd_i=BooRCEHNOI&pd_rd_r=XAXCT73G8T7VPDoHJDWK&pd_rd_w=2Fpri&pd_rd_wg=q5f29&pvc=1&refRID=XAXCT73G8T7VPDoHJDWK, available at least as early as Jun. 3, 2016.

EPBOWPT, DC 12-24V Wall-mounted Glass Touch Panel Full-color Dimmer Controller, https://www.aliexpress.com/store/product/DUMVOIN-Wall-mounted-Glass-Touch-Panel-Full-color-Dimmer-Controller-Wall-Switch-DC-12-24V-for/1916528_32542963626.html, available at least as early as Jun. 3, 2016.

Google Developers, 'Bridging the physical and digital. Imagine the possibilities. ATAP.—Google I/O 2016,' youtube.com [online], May 20, 2016 [retrieved May 5, 2017]. Retrieved from Internet: <<https://www.youtube.com/watch?v=8LO59eN9om4>>.

A Studios, 'A Studios Lumenpulse lighting tutorial 1,' youtube.com [online], Apr. 23, 2016 [retrieved May 5, 2017]. Retrieved from Internet: <<https://www.youtube.com/watch?v=1Hv4-TkgYZQ>>.

U.S. Appl. No. 62/345,449, filed Jun. 3, 2016 (unpublished).

U.S. Appl. No. 62/345,222, filed Jun. 3, 2016 (unpublished).

U.S. Appl. No. 29/566,966, filed Jun. 3, 2016 (unpublished).

U.S. Appl. No. 29/566,959, filed Jun. 3, 2016 (unpublished).

U.S. Appl. No. 29/569,814, filed Jun. 30, 2016 (unpublished).

U.S. Appl. No. 29/594,200, filed Feb. 16, 2017 (unpublished).

U.S. Appl. No. 29/594,202, filed Feb. 16, 2017 (unpublished).

U.S. Appl. No. 29/597,335, filed Mar. 16, 2017 (unpublished).

Electronic Theatre Controls, Inc. Echo Inspire® Station Programming Guide, Software Version 2.0.1, Feb. 2015, 44 pages.

Electronic Theatre Controls, Inc. Echo Inspire® Control Stations, <URL:<https://www.etconnect.com/Products/Architectural-Systems/Echo/Control-Stations/Inspire-Control-Stations/Features.aspx>>, available from Internet at least as early as Jul. 15, 2014 [site visited May 9, 2018].

Electronic Theatre Controls, Inc., Echo Inspire® Control Station: 4-Button with Fader Knob, photograph taken on May 8, 2018.

* cited by examiner

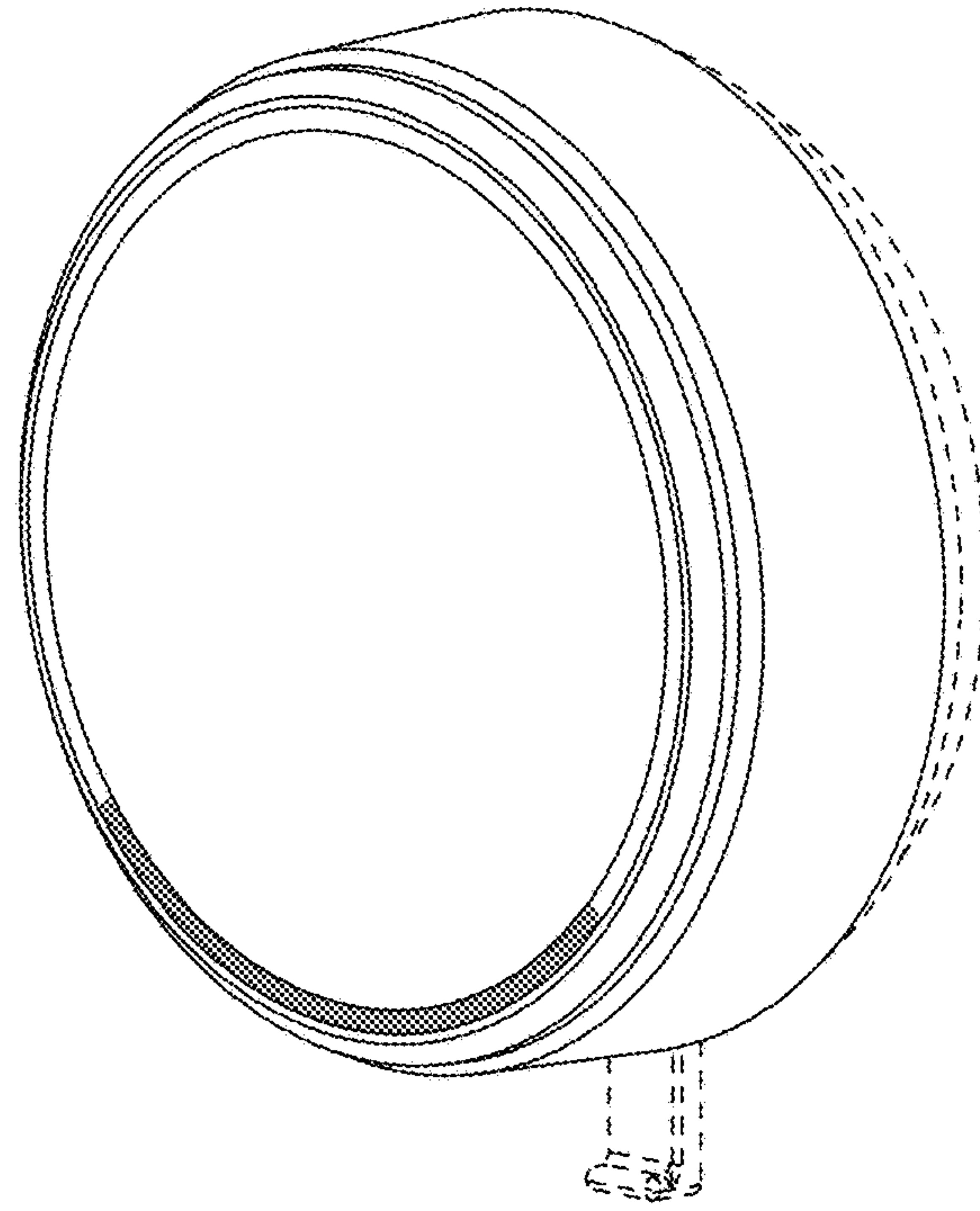


FIG. 1

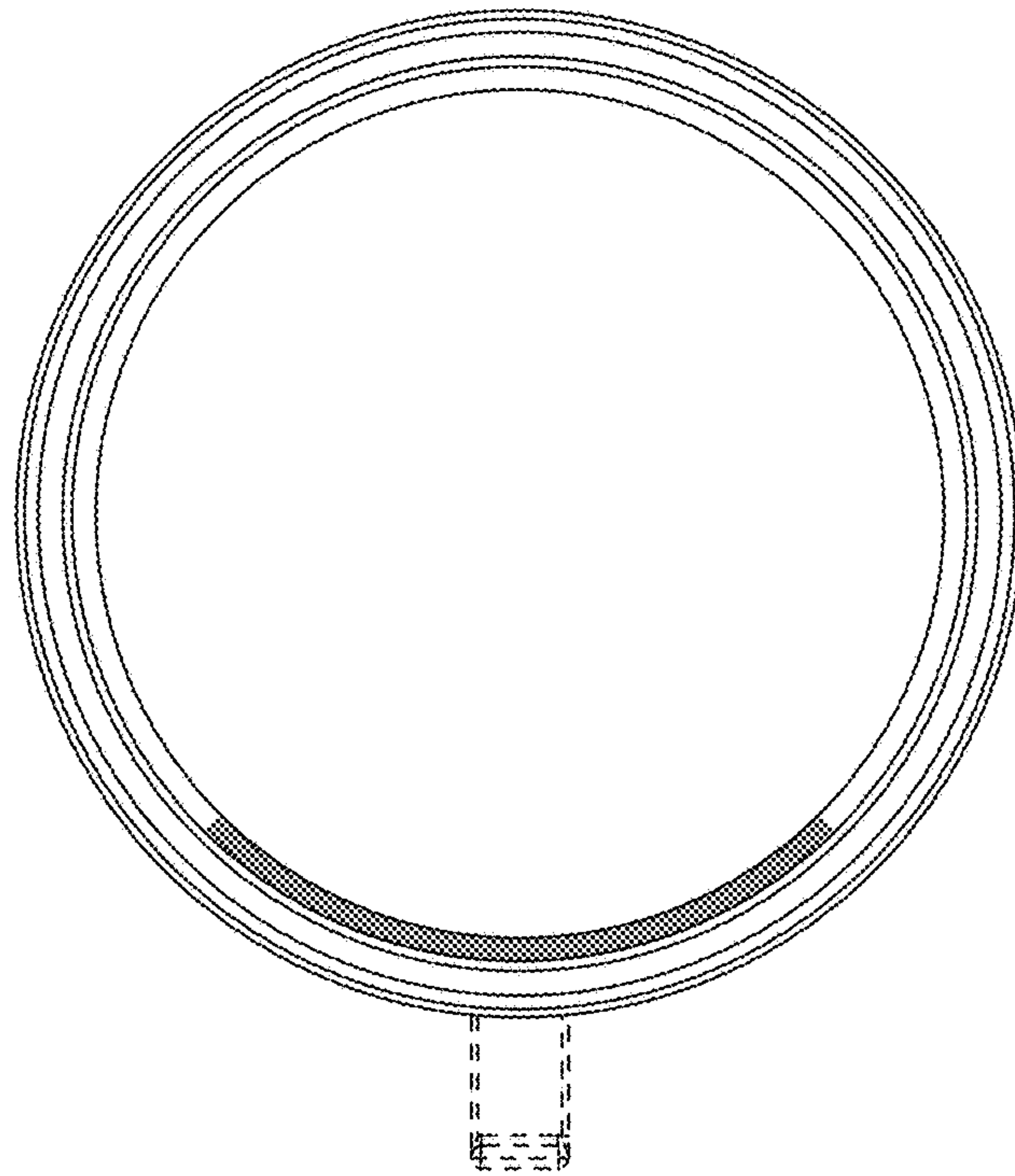


FIG. 2

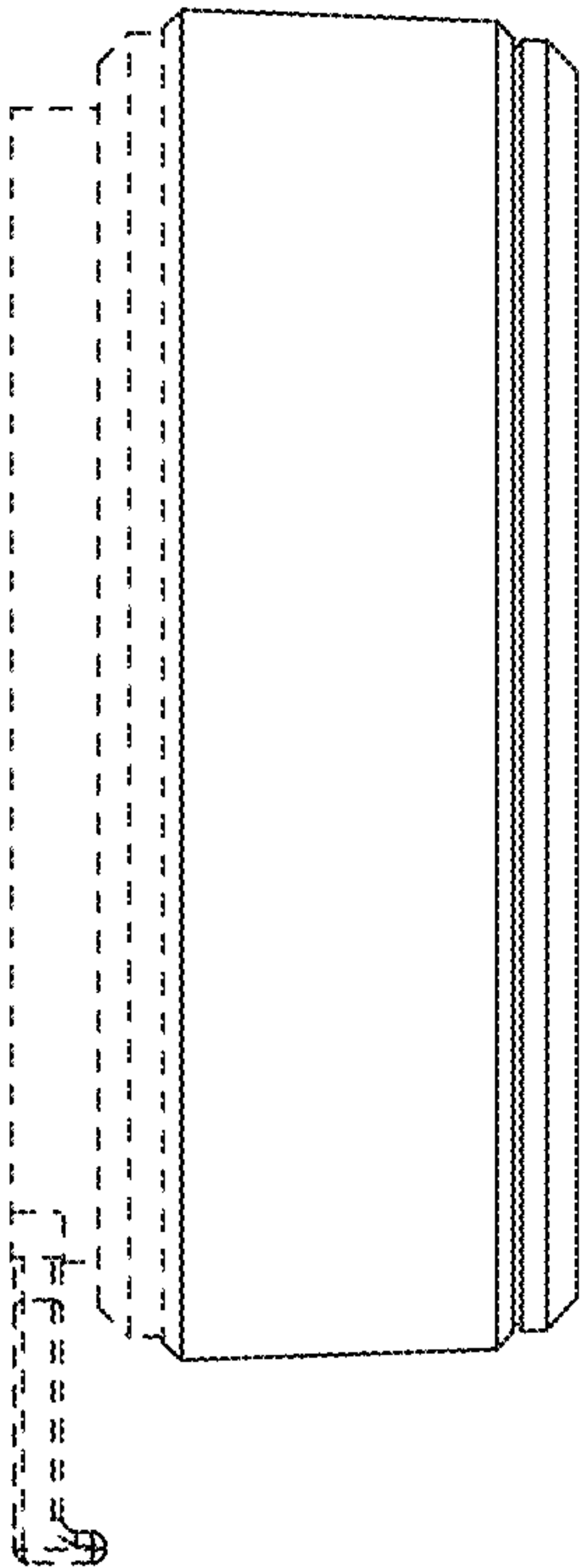


FIG. 3

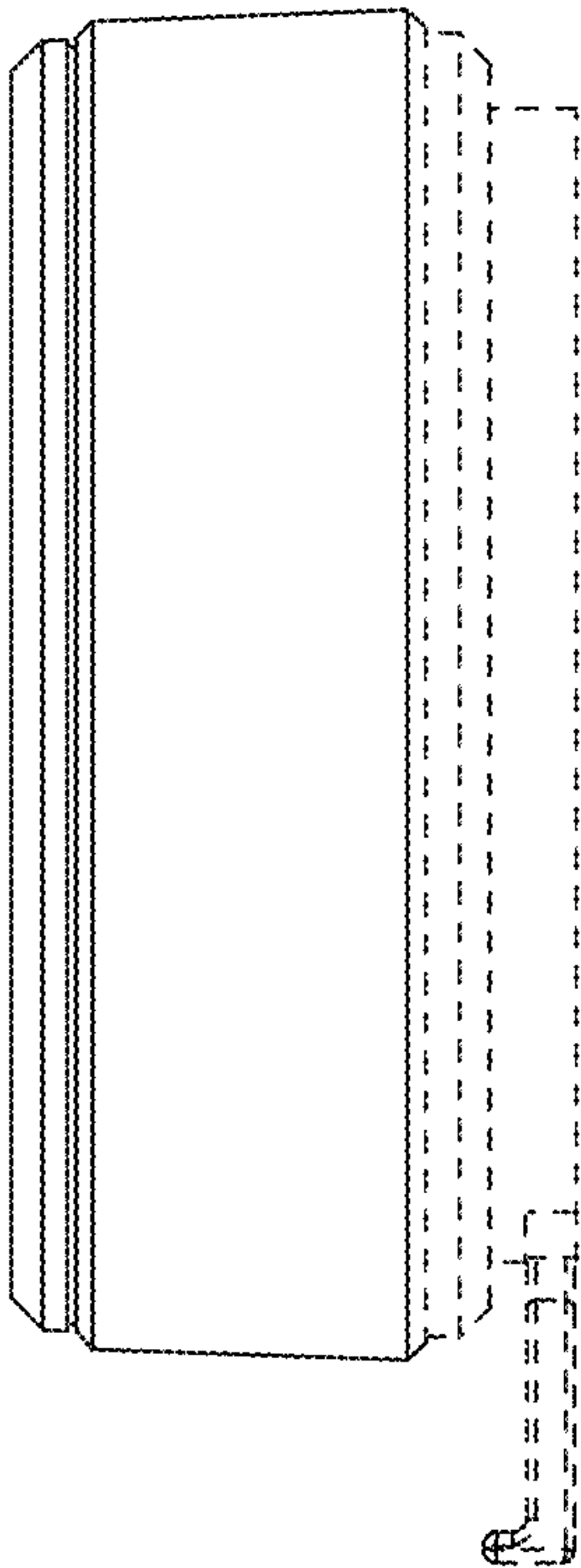


FIG. 4

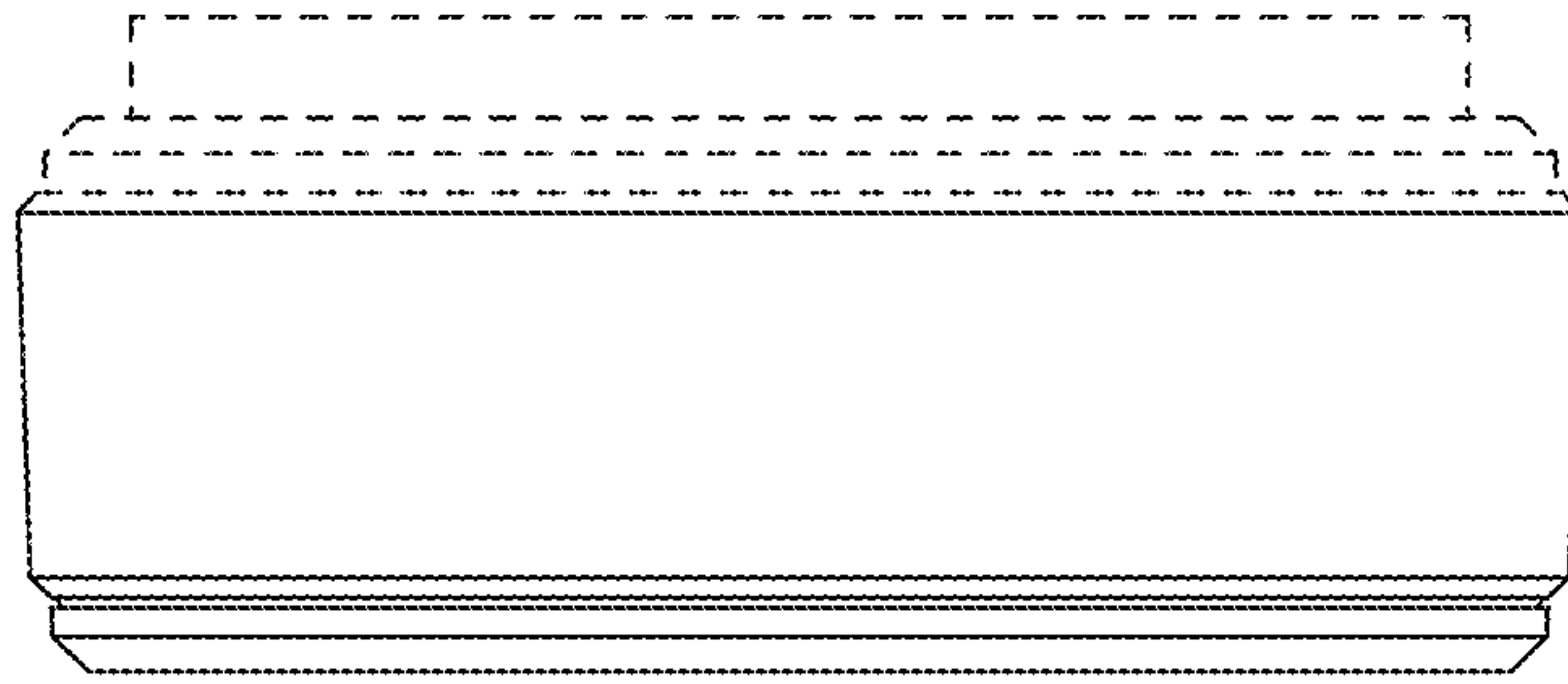


FIG. 5

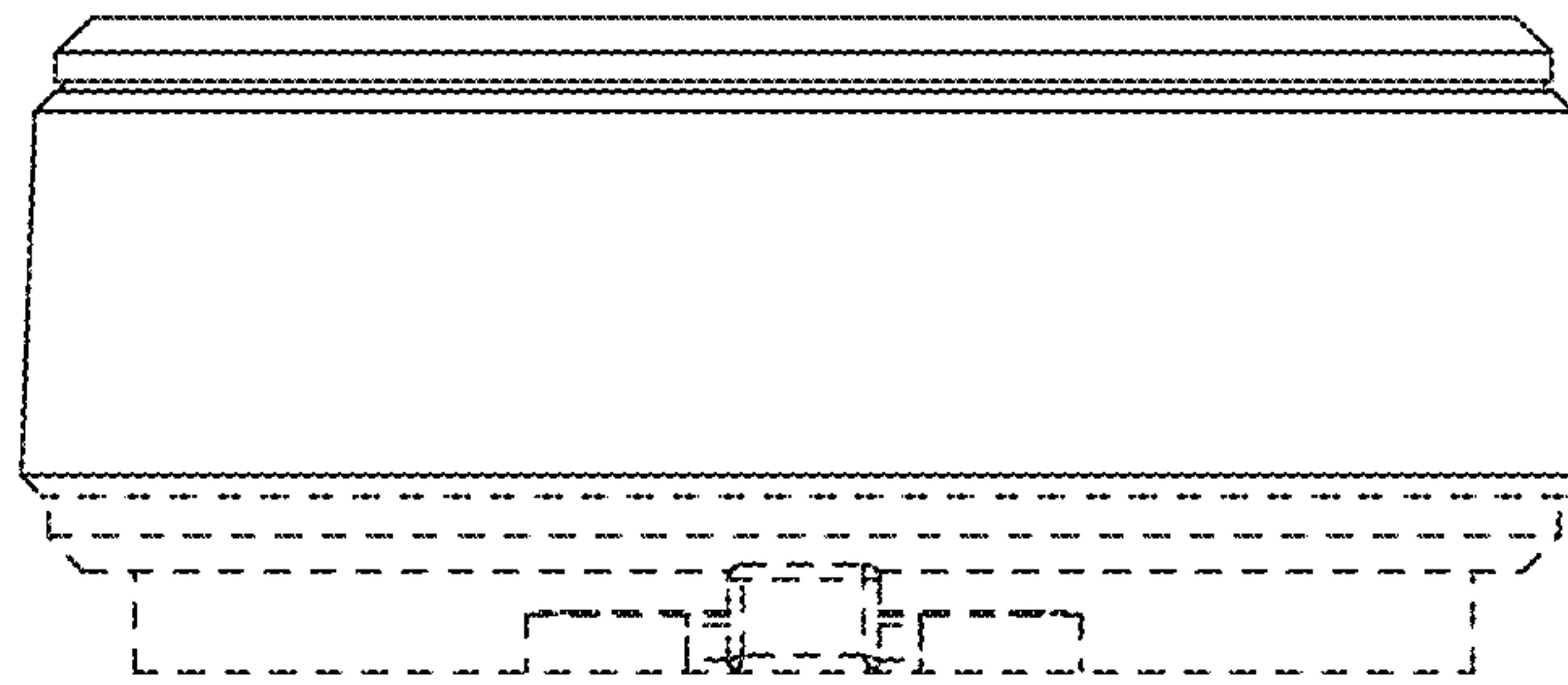


FIG. 6

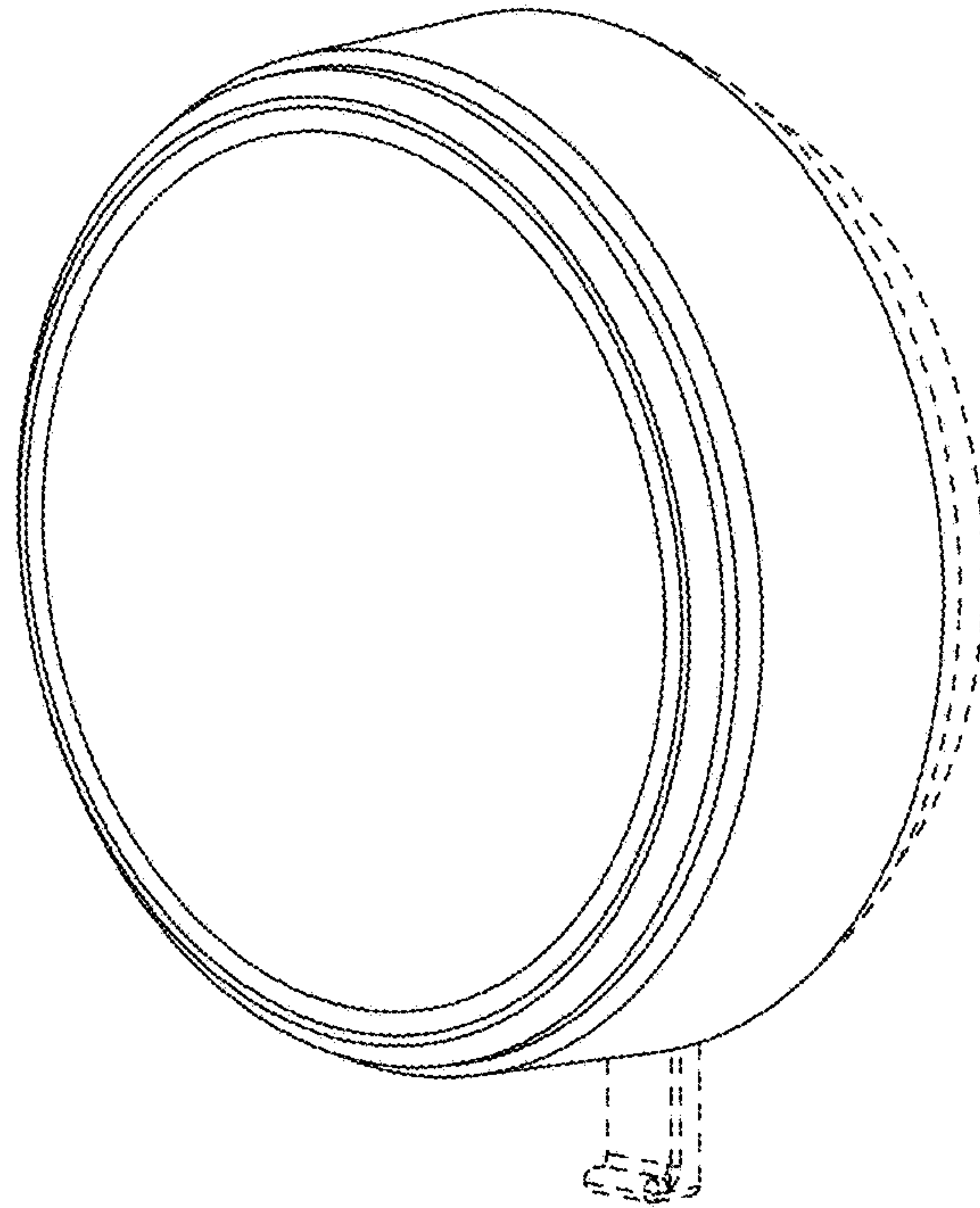


FIG. 7

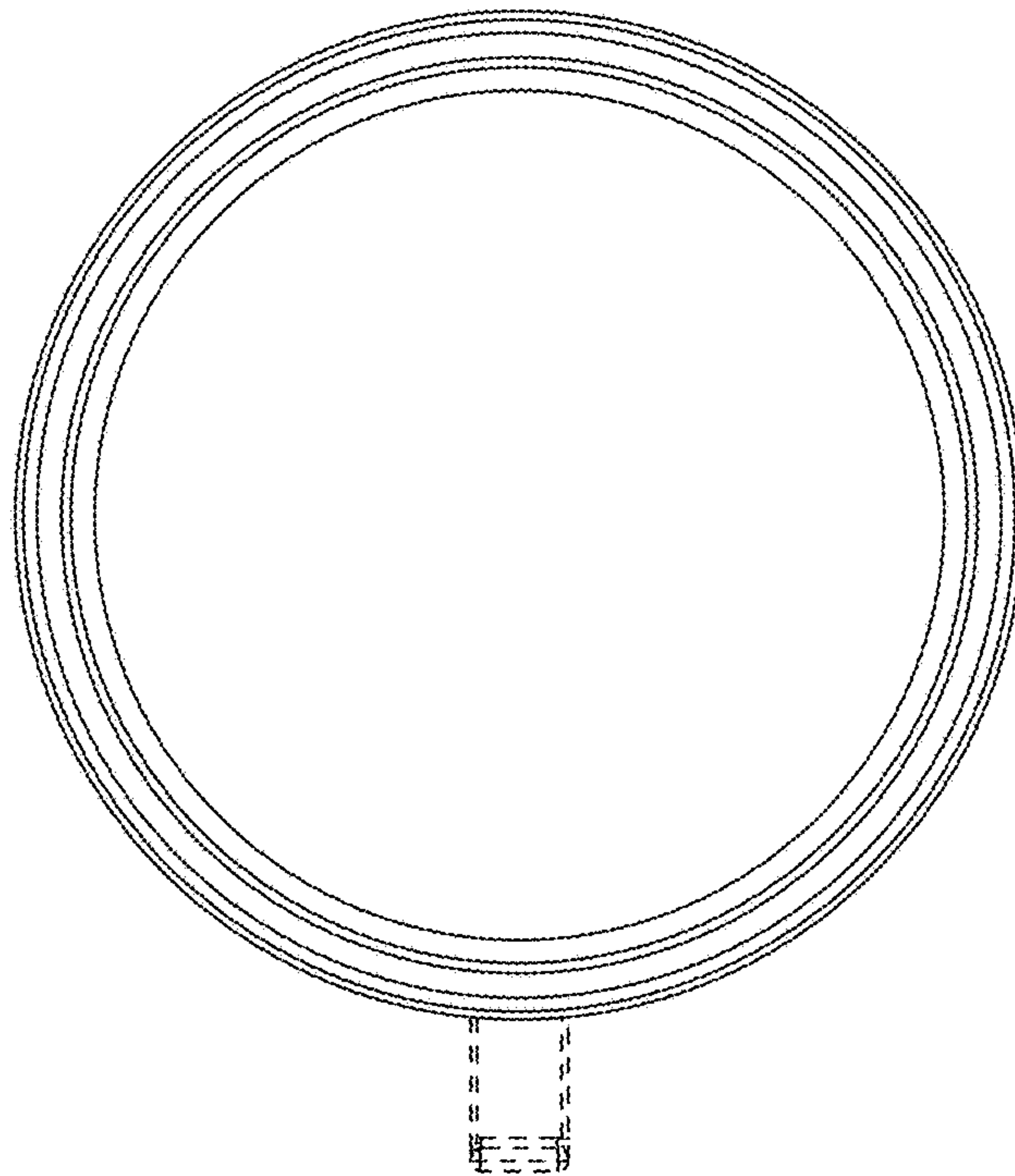


FIG. 8

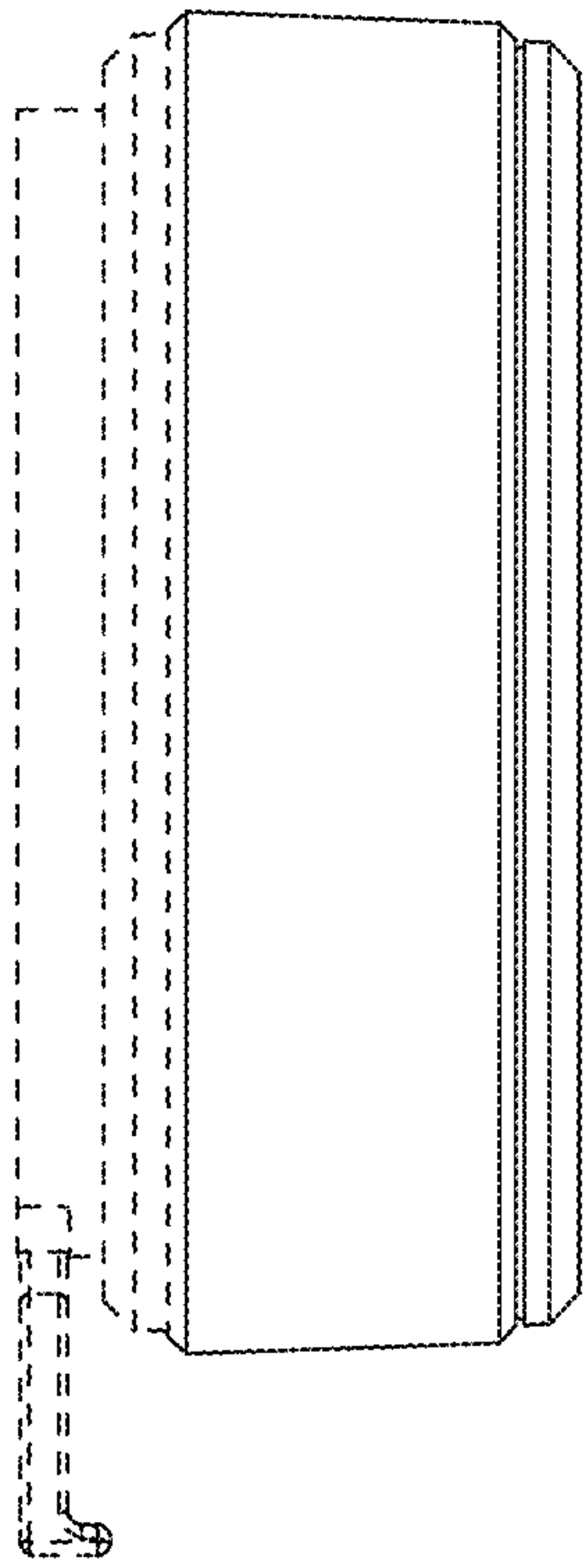


FIG. 9

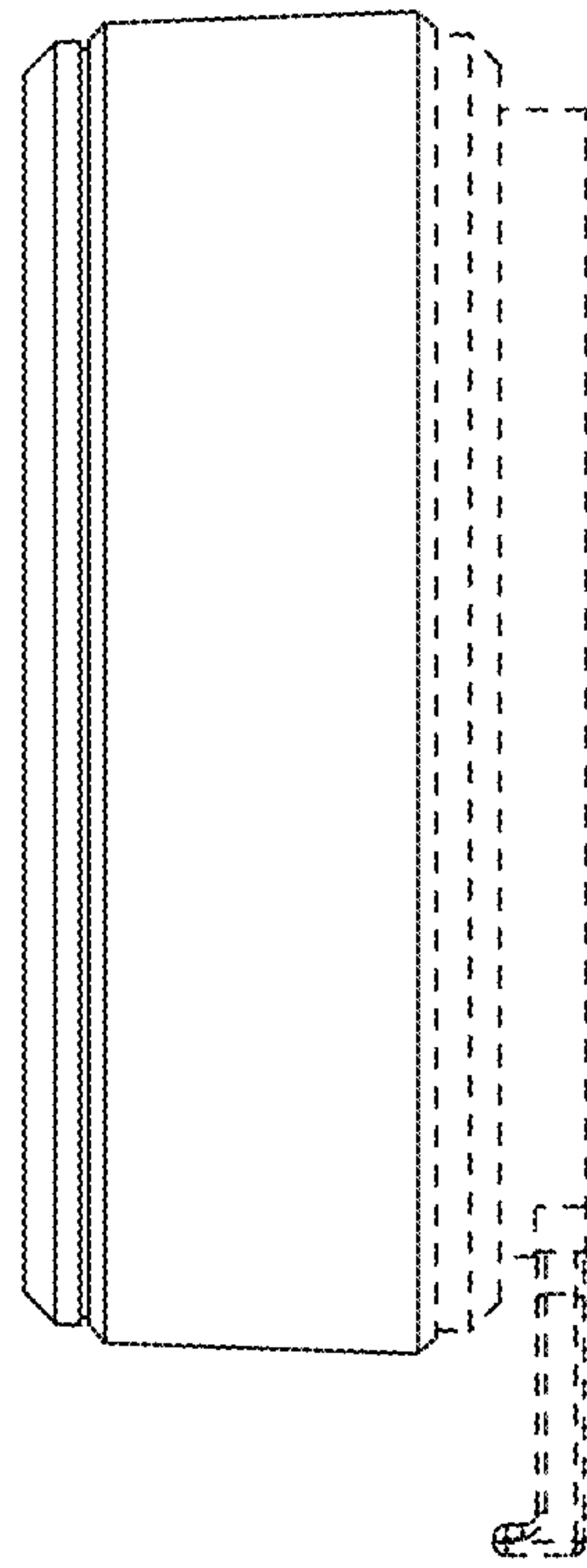


FIG. 10

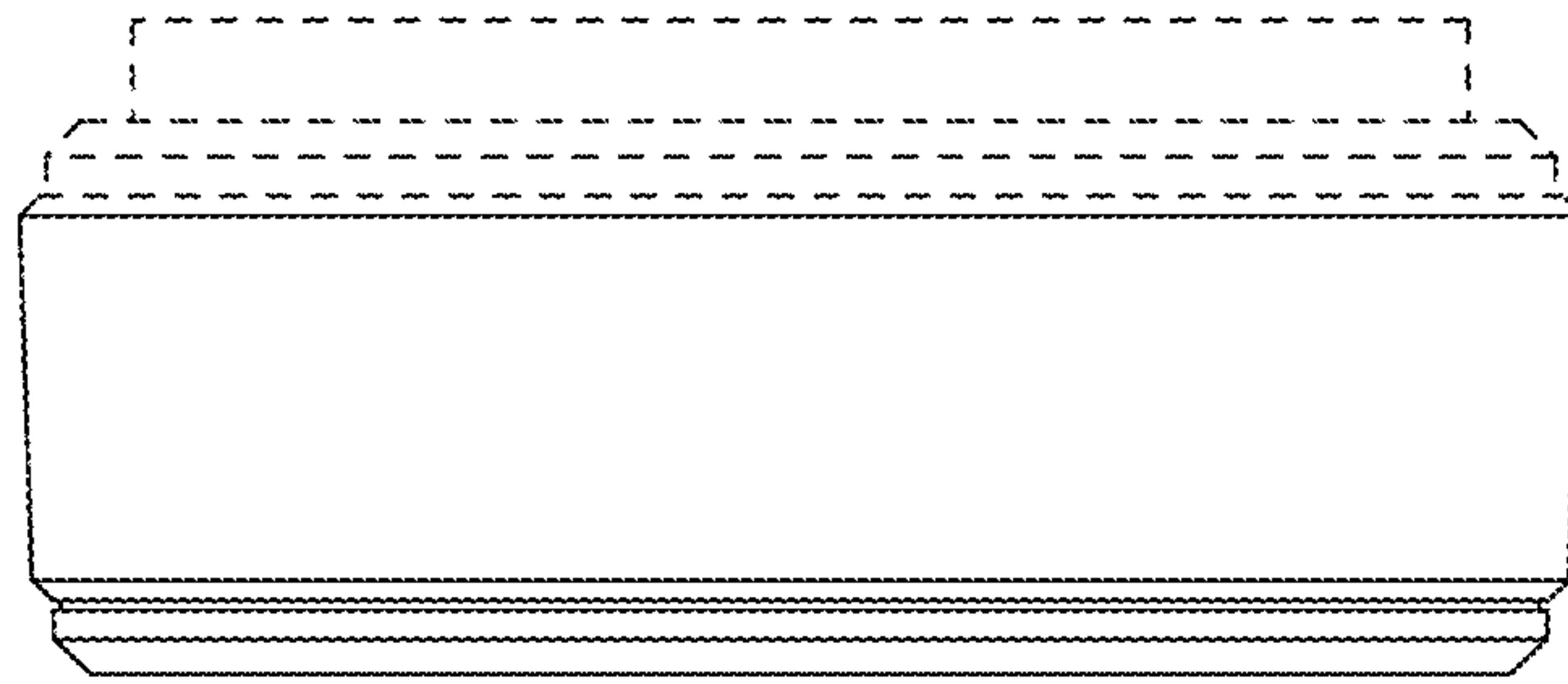


FIG. 11

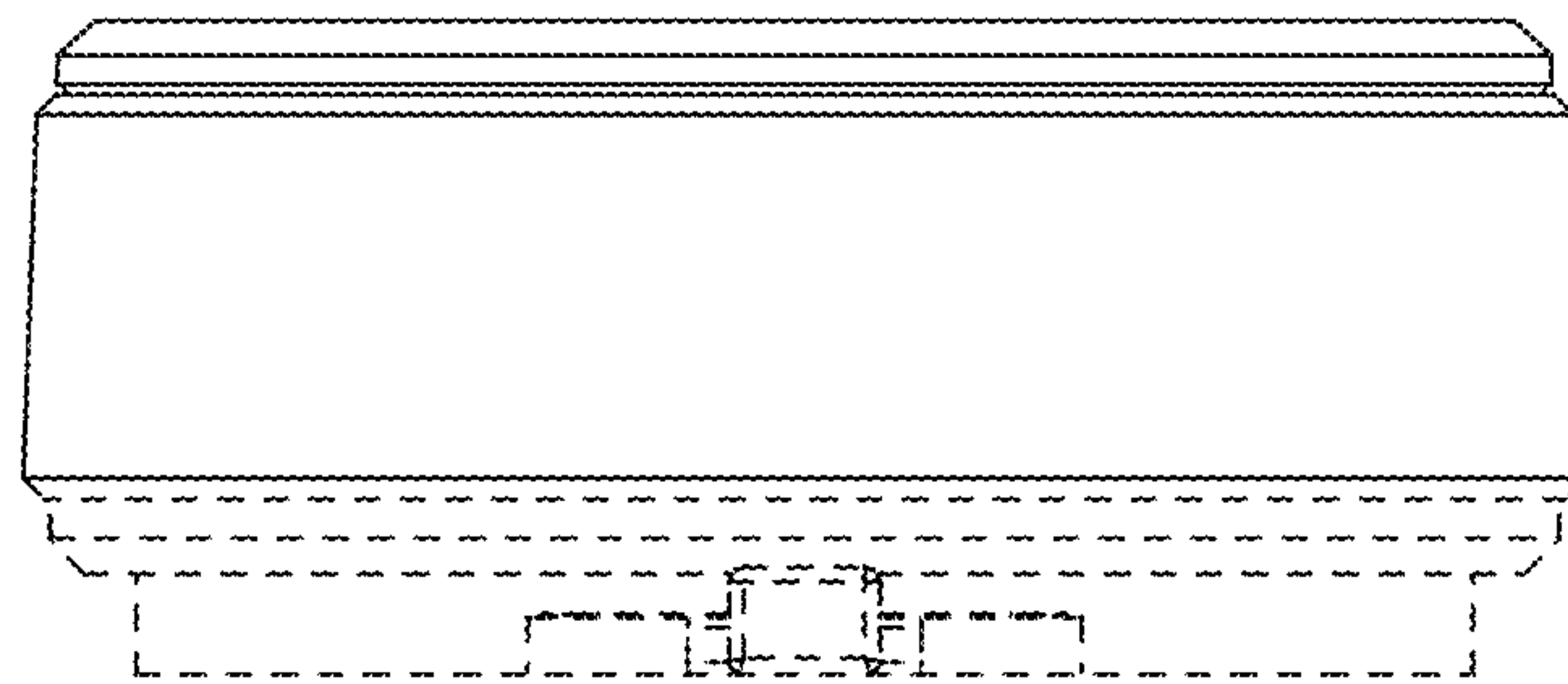


FIG. 12