



US00D868009S

(12) **United States Design Patent** (10) **Patent No.:** **US D868,009 S**  
**Dimberg et al.** (45) **Date of Patent:** **\*\* Nov. 26, 2019**

(54) **ILLUMINATED CONTROL DEVICE**

(71) Applicant: **Lutron Technology Company LLC**,  
Coopersburg, PA (US)

(72) Inventors: **Chris Dimberg**, Easton, PA (US);  
**Jason C. Killo**, Emmaus, PA (US);  
**Daniel L. Twaddell**, Allentown, PA  
(US)

(73) Assignee: **Lutron Technology Company LLC**,  
Coopersburg, PA (US)

(\*\*) Term: **15 Years**

(21) Appl. No.: **29/566,959**

(22) Filed: **Jun. 3, 2016**

(51) **LOC (12) Cl.** ..... **13-03**

(52) **U.S. Cl.**  
USPC ..... **D13/174**

(58) **Field of Classification Search**  
USPC ..... D13/162, 171, 177, 174; D14/487, 489  
CPC .. H01H 3/12; H01H 9/02; H01H 9/16; H01H  
9/18; H01H 9/181; H01H 9/182; H01H  
13/04; H01H 13/14; H01H 2009/187;  
H05B 33/0803; H05B 33/0863; H05B  
37/02; H05B 37/0254; H05B 37/0272;  
H05B

(Continued)

(56) **References Cited**

**U.S. PATENT DOCUMENTS**

5,392,388 A \* 2/1995 Gibson ..... G06F 3/04845  
345/684  
D558,692 S \* 1/2008 Neveu ..... D13/174  
D669,499 S \* 10/2012 Gardner ..... D14/495

(Continued)

**OTHER PUBLICATIONS**

Legrand® / Pass & Seymour®, P&S Dimmers—DR Series Bro-  
chure, 2010, 2 pages.

(Continued)

*Primary Examiner* — Selina Sikder

(74) *Attorney, Agent, or Firm* — Saidman DesignLaw  
Group, LLC

(57) **CLAIM**

The ornamental design for an illuminated control device, as  
shown and described.

**DESCRIPTION**

FIG. 1 is a front perspective view for an illuminated control  
device showing a first state in a sequence showing our new  
design;

FIG. 2 is a front view thereof;

FIG. 3 is a left side view thereof;

FIG. 4 is a right side view thereof;

FIG. 5 is a top view thereof;

FIG. 6 is a bottom view thereof;

FIG. 7 shows a second state thereof;

FIG. 8 shows a third state thereof;

FIG. 9 shows a fourth state thereof;

FIG. 10 shows a fifth state thereof;

FIG. 11 shows a sixth state thereof;

FIG. 12 shows a first state in a sequence comprising a second  
embodiment thereof;

FIG. 13 shows a second state thereof;

FIG. 14 shows a third state thereof;

FIG. 15 shows a fourth state thereof;

FIG. 16 shows a fifth state thereof; and,

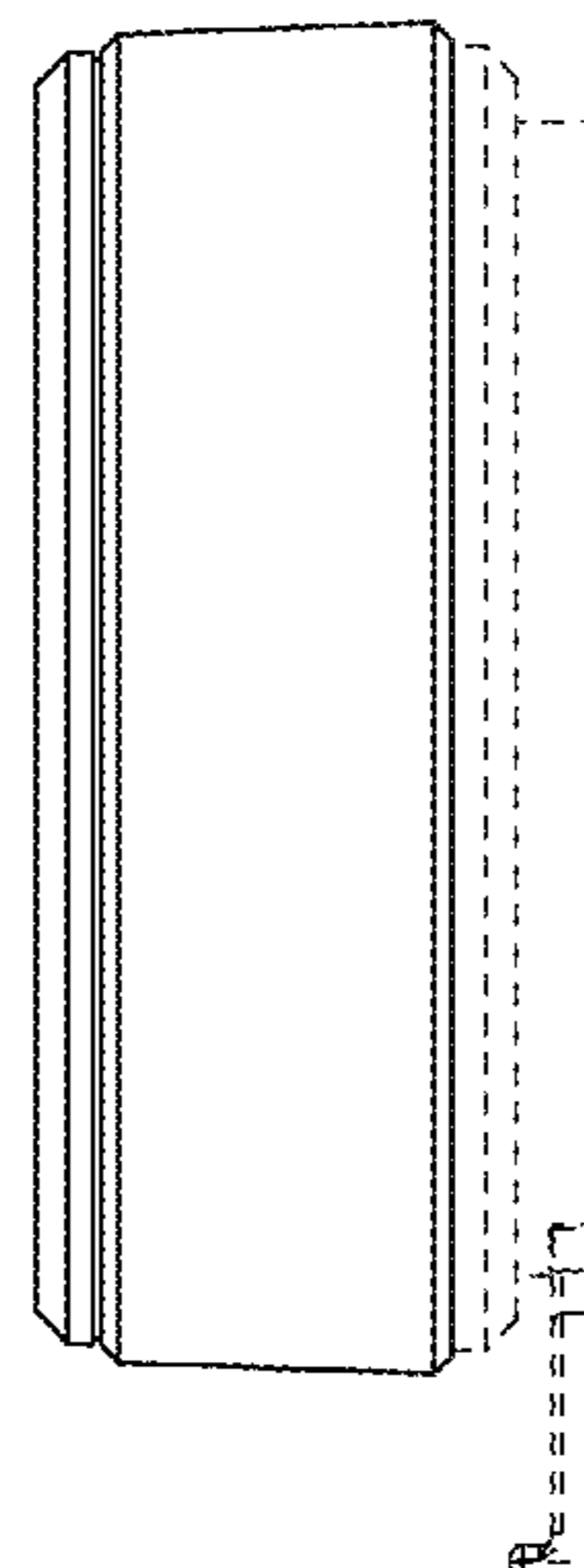
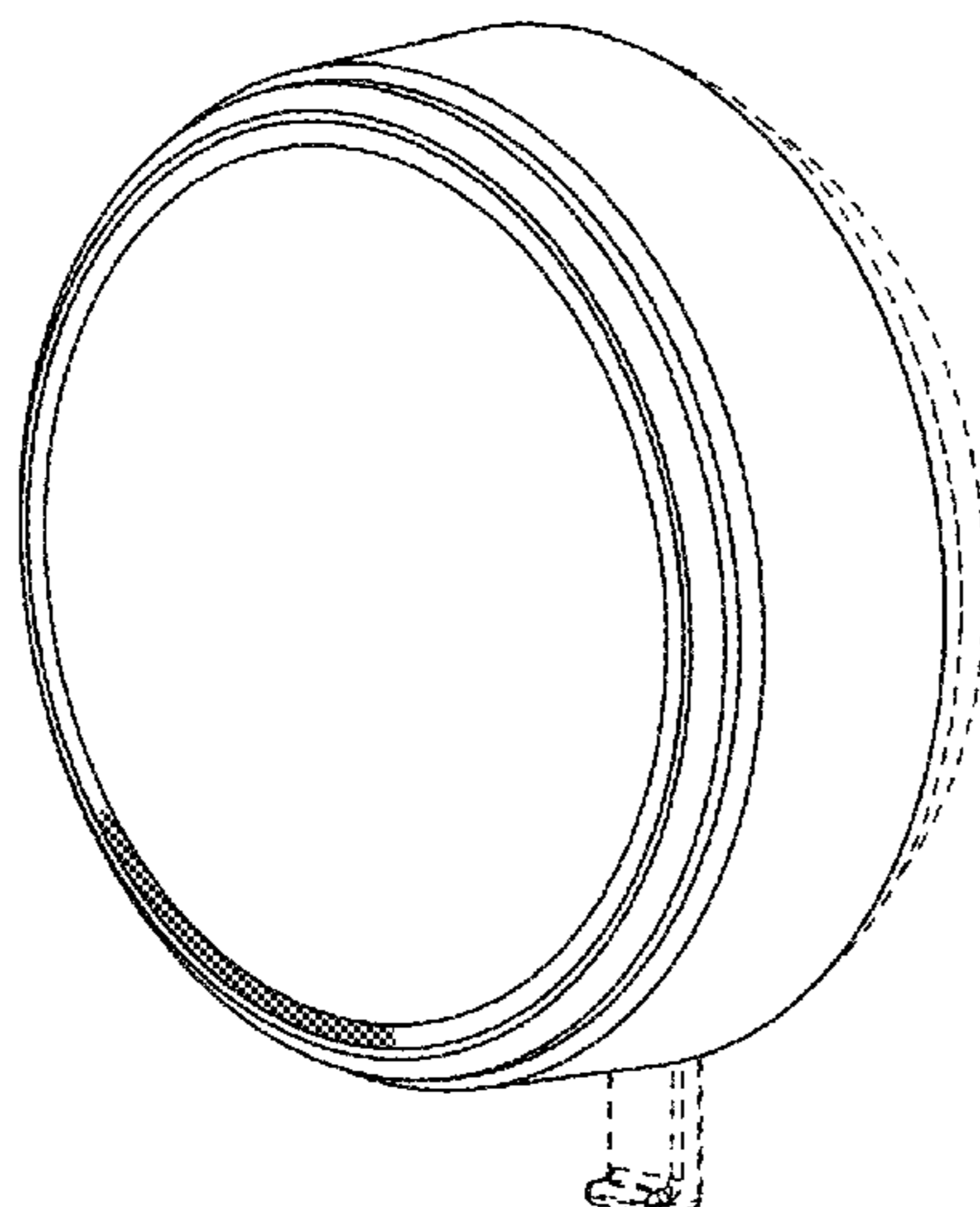
FIG. 17 shows a sixth state thereof.

The gray shaded elements represent illumination.

The dashed broken lines represent structure or features  
which form no part of the claimed design; the broken lines  
themselves form no part of the claimed design.

In each of the embodiments, the claimed design sequentially  
transitions from the first state to the last state in the  
sequence. The period with which one image transitions to  
another image forms no part of the claimed design.

**1 Claim, 9 Drawing Sheets**



(58) **Field of Classification Search**

CPC ..... 39/02; H05B 39/04; H05B 39/085; H05B 39/086; H05B 39/088; G08C 17/02  
See application file for complete search history.

(56) **References Cited**

U.S. PATENT DOCUMENTS

8,786,196	B2	7/2014	Biery et al.	
D727,928	S *	4/2015	Allison .....	D14/485
D739,872	S *	9/2015	Bang .....	D14/488
D744,535	S *	12/2015	Shin .....	D14/489
D748,648	S *	2/2016	Kim .....	D14/486
D752,072	S *	3/2016	Song .....	D14/486
D755,037	S *	5/2016	Czerwinski, Jr. ....	D8/300
D761,277	S *	7/2016	Harvell .....	D14/485
D761,812	S *	7/2016	Motamedi .....	D14/485
D762,716	S *	8/2016	Yang .....	D14/489
D763,308	S *	8/2016	Wang .....	D14/486
D776,717	S *	1/2017	Asai .....	D14/494
D777,200	S *	1/2017	Luo .....	D14/488
D786,932	S *	5/2017	Kim .....	D14/488
9,746,159	B1 *	8/2017	Fletcher .....	F21V 15/01
2007/0057922	A1 *	3/2007	Schultz .....	G06F 3/03547 345/173
2007/0136679	A1 *	6/2007	Yang .....	H04N 5/44513 715/772
2010/0175971	A1 *	7/2010	Kim .....	B60R 25/04 200/313
2013/0328500	A1 *	12/2013	Toda .....	H05B 33/0863 315/292
2014/0117871	A1	5/2014	Swatsky et al.	
2015/0371534	A1	12/2015	Dimberg et al.	
2016/0128586	A1 *	5/2016	Parton .....	A61B 5/02405 600/479
2016/0196635	A1 *	7/2016	Cho .....	G06T 3/40 345/660
2016/0212368	A1 *	7/2016	Zhang .....	H04N 5/4403
2017/0185240	A1 *	6/2017	Delrosario .....	G06F 3/0482

OTHER PUBLICATIONS

Legrand®, Dimmers Brochure, 2015, 18 pages.  
Lumenpulse™, Lumentone™ Specification Sheet, 2013, 4 pages.  
Lumenpulse™, Lumentone™ Installation Instructions, 2013, 1 page.  
Lumenpulse™, Lumentone™ Quick Reference Guide, 2015, 3 pages.  
LTECH, LED Controller Touch RGB DMX/RF 4 Zones—DX8, <http://ltechled.eu/en/dmx/1293ledcontrollertouchdx8dmx.html>, available at least as early as Jun. 3, 2016.

Diode LED, DMX Wall Mount Controller, <https://www.diodeled.com/dmxwallmountcontroller.html>, available at least as early as Jun. 3, 2016.

Fontana Fountains, Glass-Touch RGB Controller, <http://www.fontanafountains.com/products/underwater-illumination/thSMARTLED-luminaires/glass-touch-rgb-controller>, available at least as early as Jun. 3, 2016.

Super Bright LEDs Inc., Wall Mount Touch Color RGB Controller, <https://www.superbrightleds.com/moreinfo/controllers/wall-mount-touch-color-rgb-controller-dynamic-color-changing-modes-3-amps-per-channel/1484/#/tab/Reviews>, available at least as early as Jun. 3, 2016.

Milight, RGBW Remote, <http://www.milight.com/milight-rgbw-remote/>, available at least as early as Jun. 3, 2016.

RGBZONE, DC 12V-24V Wall-mounted Touch Panel Switch Controller Full Color LED Dimmer, [https://www.amazon.com/RGBZONE-12V-24V-Wall-mounted-Switch-Controller/dp/BooRCEHNOI/ref=pd\\_sbs\\_60\\_2?\\_encoding=UTF8&pd\\_rd\\_i=BooRCEHNOI&pd\\_rd\\_r=XAXCT73G8T7VPDoHJDWK&pd\\_rd\\_w=2Fpri&pd\\_rd\\_wg=q5f29&pvc=1&refRID=XAXCT73G8T7VPDoHJDWK](https://www.amazon.com/RGBZONE-12V-24V-Wall-mounted-Switch-Controller/dp/BooRCEHNOI/ref=pd_sbs_60_2?_encoding=UTF8&pd_rd_i=BooRCEHNOI&pd_rd_r=XAXCT73G8T7VPDoHJDWK&pd_rd_w=2Fpri&pd_rd_wg=q5f29&pvc=1&refRID=XAXCT73G8T7VPDoHJDWK), available at least as early as Jun. 3, 2016.

EPBOWPT, DC 12-24V Wall-mounted Glass Touch Panel Full-color Dimmer Controller, [https://www.aliexpress.com/store/product/DUMVOIN-Wall-mounted-Glass-Touch-Panel-Full-color-Dimmer-Controller-Wall-Switch-DC-12-24V-for/1916528\\_32542963626.html](https://www.aliexpress.com/store/product/DUMVOIN-Wall-mounted-Glass-Touch-Panel-Full-color-Dimmer-Controller-Wall-Switch-DC-12-24V-for/1916528_32542963626.html), available at least as early as Jun. 3, 2016.

Google Developers, ‘Bridging the physical and digital. Imagine the possibilities. ATAP—Google I/O 2016,’ youtube.com [online], May 20, 2016 [retrieved May 5, 2017]. Retrieved from Internet: <<https://www.youtube.com/watch?v=8LO59eN9om4>>.

A Studios, ‘A Studios Lumenpulse lighting tutorial 1,’ youtube.com [online], Apr. 23, 2016 [retrieved May 5, 2017]. Retrieved from Internet: <<https://www.youtube.com/watch?v=1Hv4-TkgYZQ>>.

U.S. Appl. No. 62/345,449, filed Jun. 3, 2016 (unpublished).

U.S. Appl. No. 62/345,222, filed Jun. 3, 2016 (unpublished).

U.S. Appl. No. 29/566,966, filed Jun. 3, 2016 (unpublished).

U.S. Appl. No. 29/569,814, filed Jun. 30, 2016 (unpublished).

U.S. Appl. No. 29/569,786, filed Jun. 30, 2016 (unpublished).

U.S. Appl. No. 29/594,200, filed Feb. 16, 2017 (unpublished).

U.S. Appl. No. 29/594,202, filed Feb. 16, 2017 (unpublished).

U.S. Appl. No. 29/597,335, filed Mar. 16, 2017 (unpublished).

Electronic Theatre Controls, Inc., Echo Inspire® Station Programming Guide, Software Version 2.0.1, Feb. 2015, 44 pages.

Electronic Theatre Controls, Inc., Echo Inspire® Control Stations, <URL:<https://www.etcconnect.com/Products/Architectural-Systems/Echo/Control-Stations/Inspire-Control-Stations/Features.aspx>>, available from the Internet at least as early as Jul. 15, 2014 [site visited May 9, 2018].

Electronic Theatre Controls, Inc., Echo Inspire® Control Station: 4-Button with Fader Knob, photograph taken on May 8, 2018.

\* cited by examiner



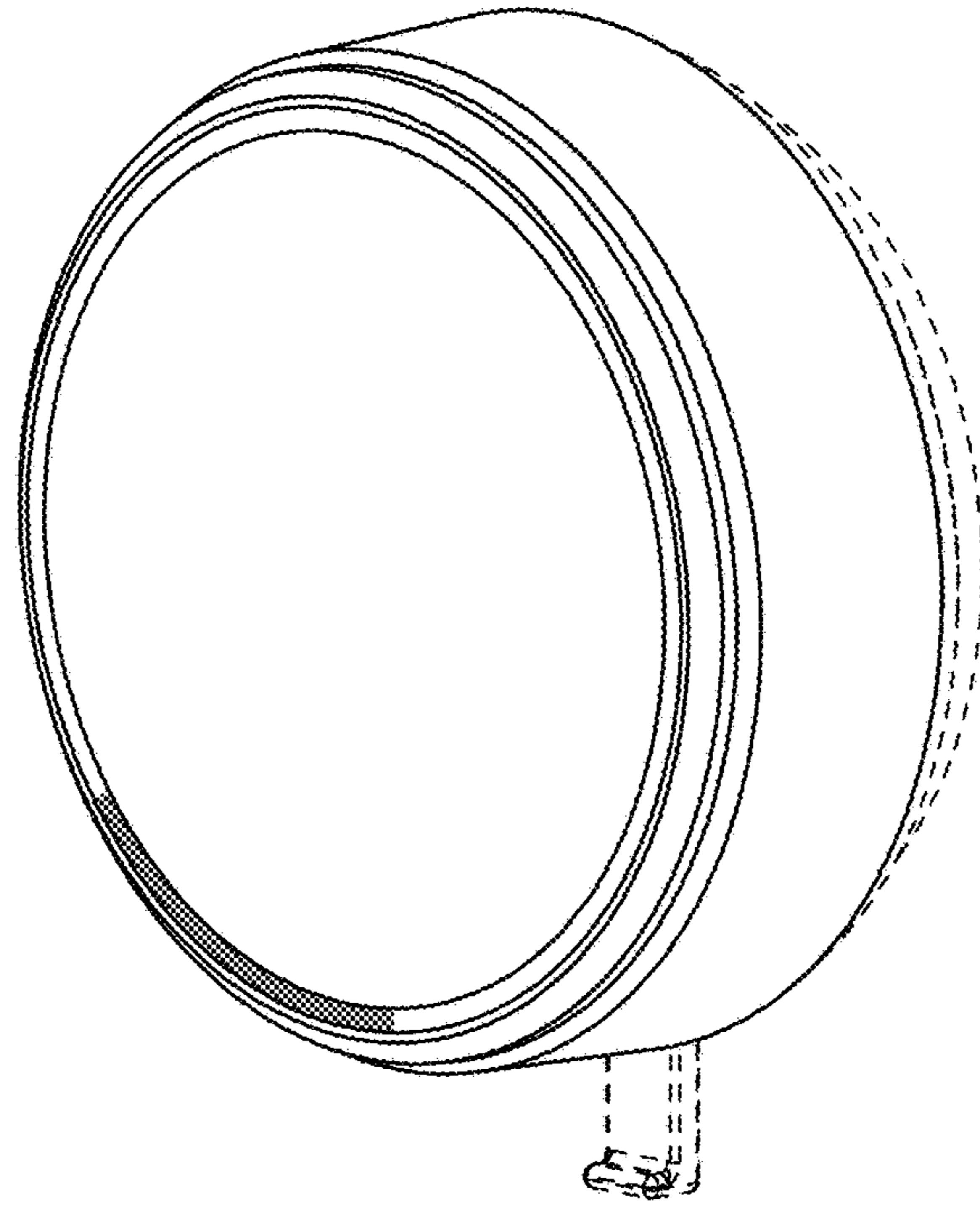


FIG. 1

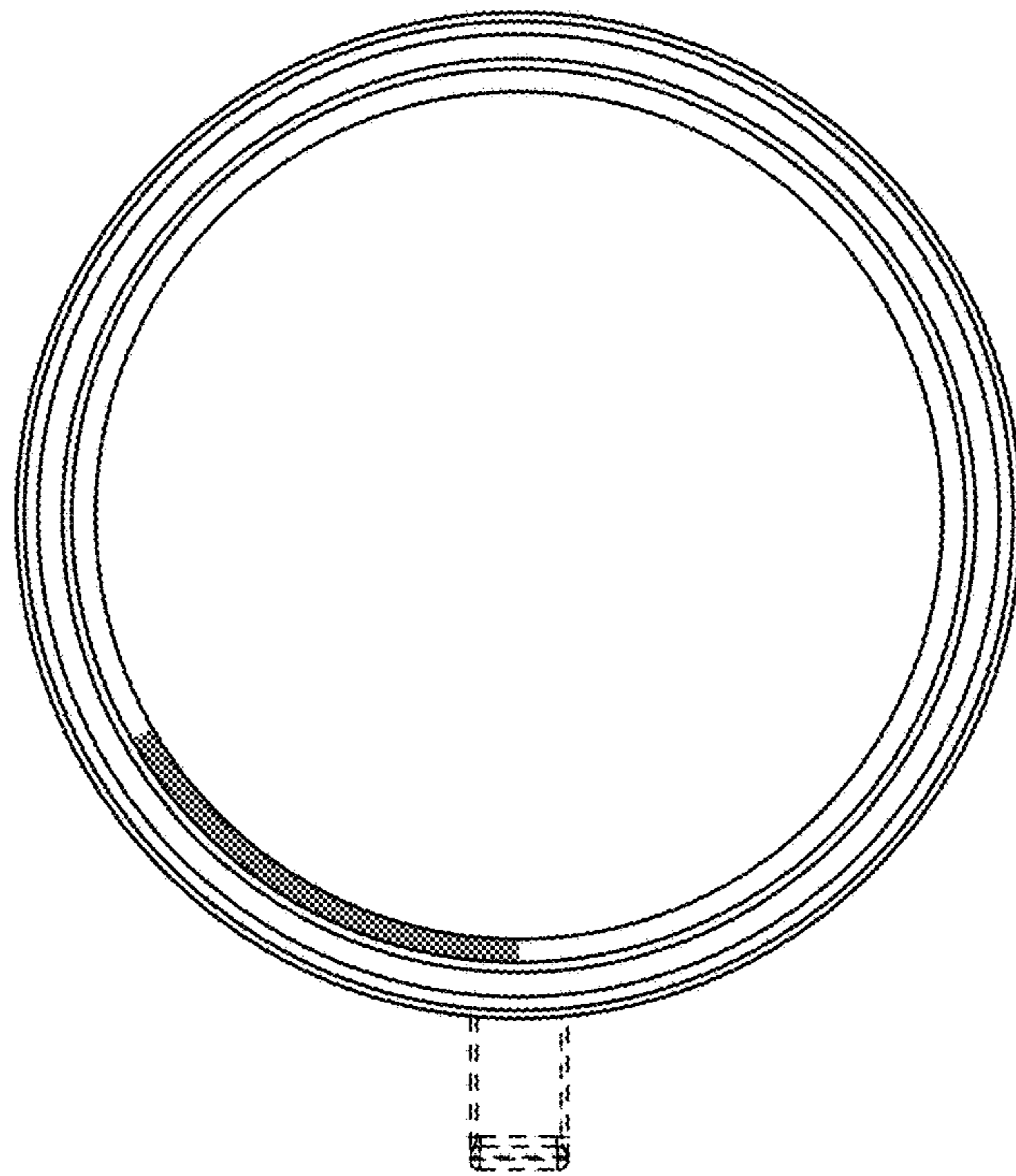


FIG. 2

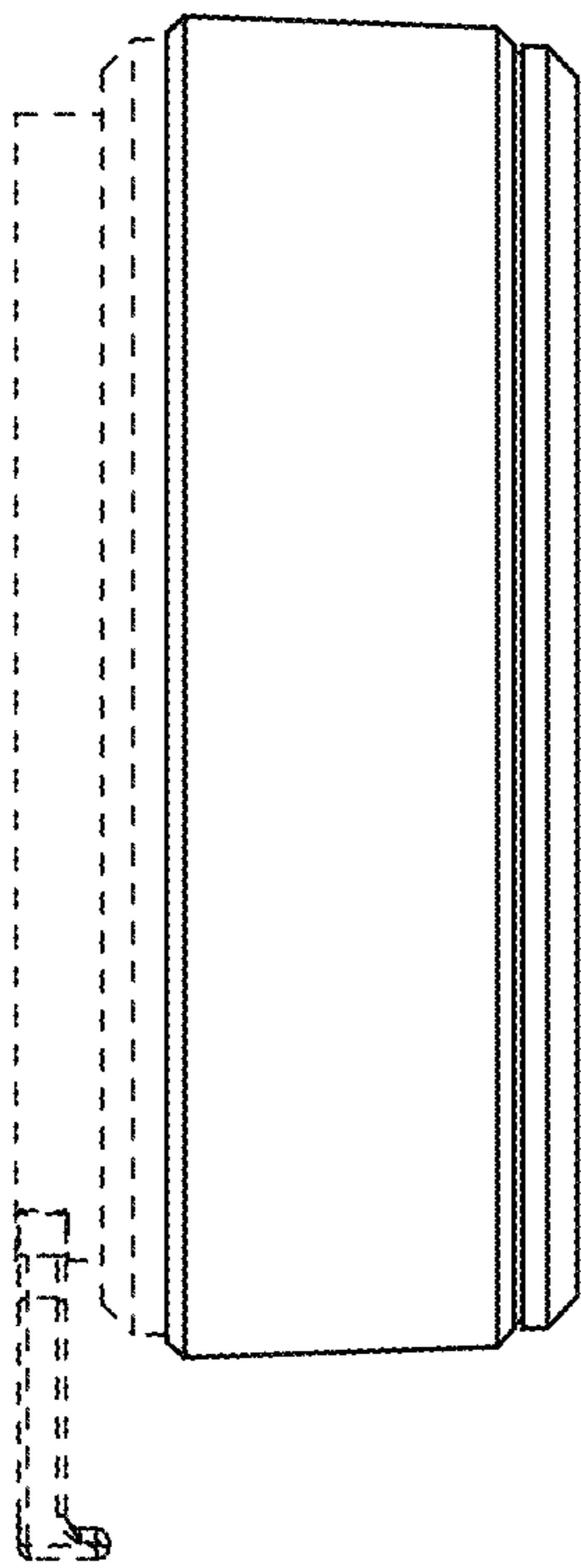


FIG. 3

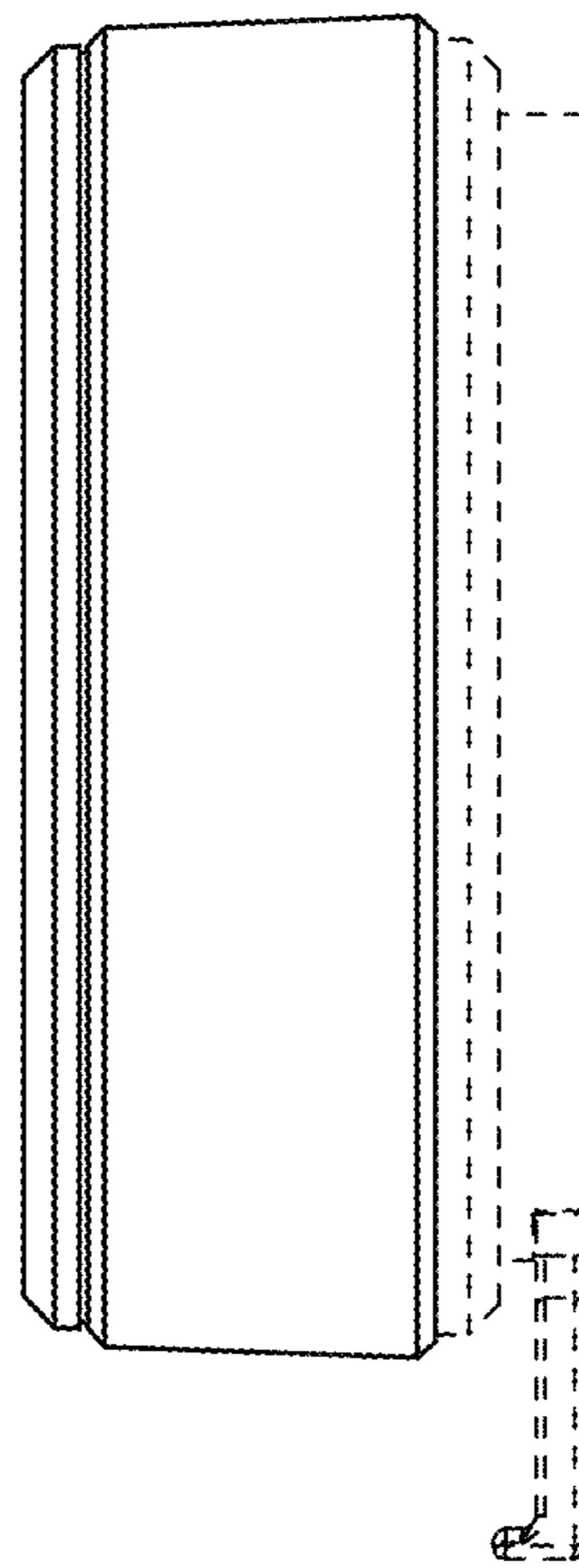


FIG. 4

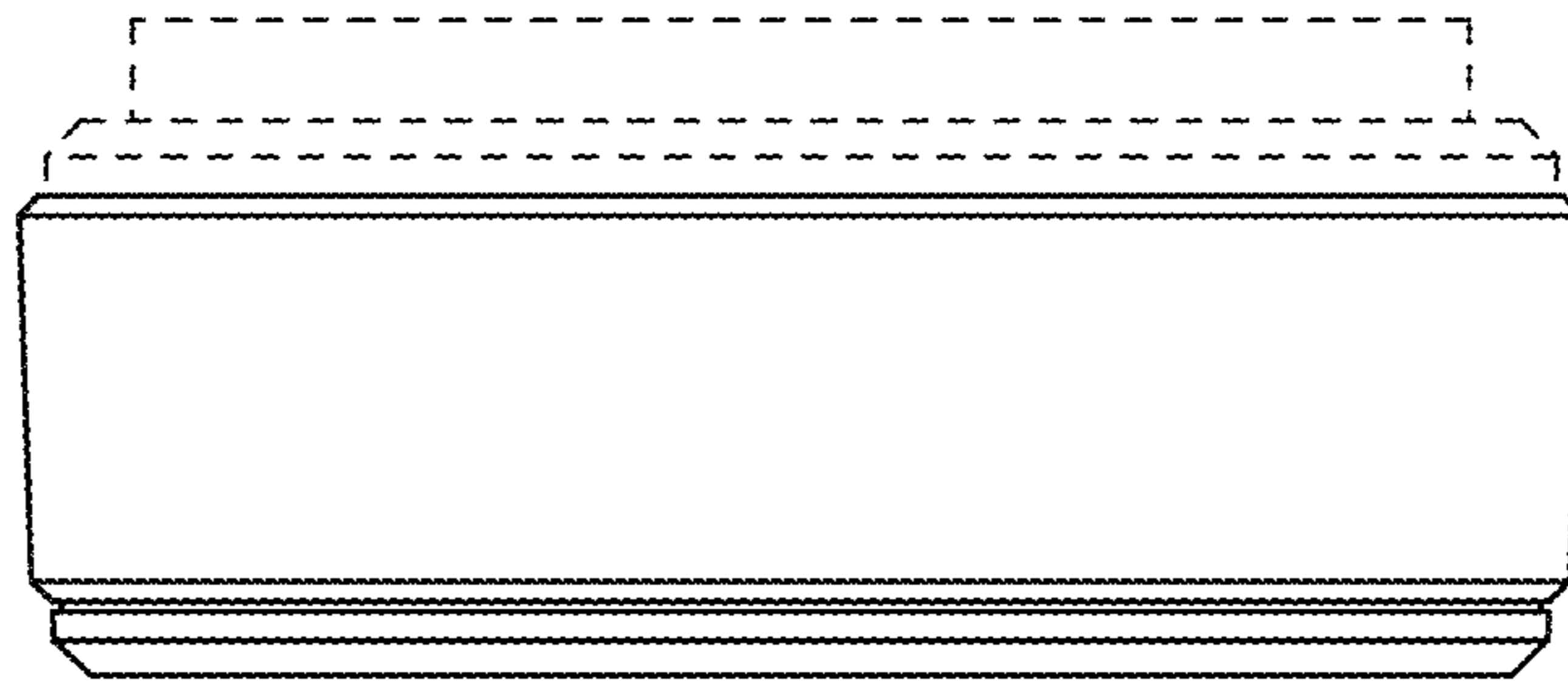


FIG. 5



FIG. 6

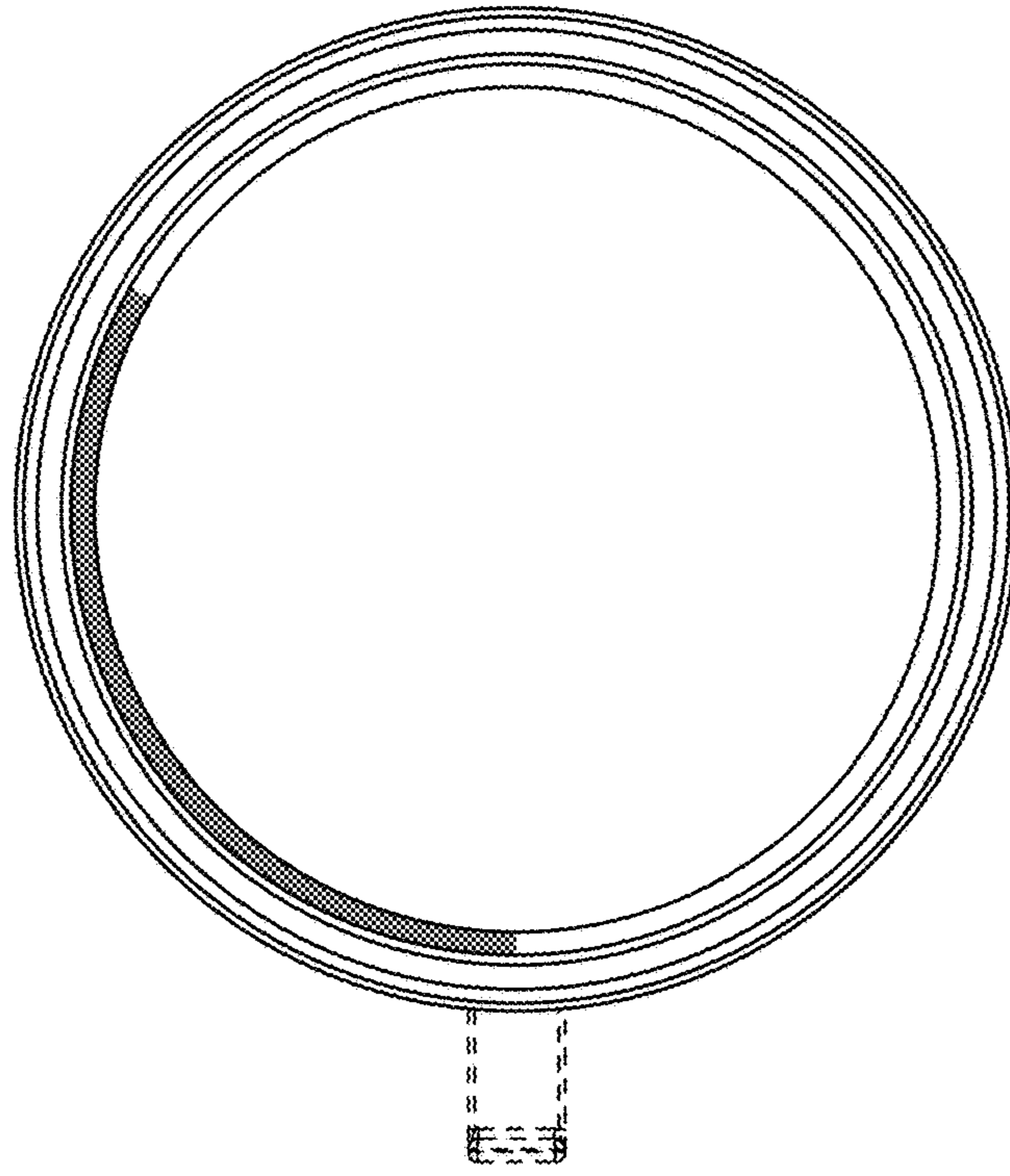


FIG. 7

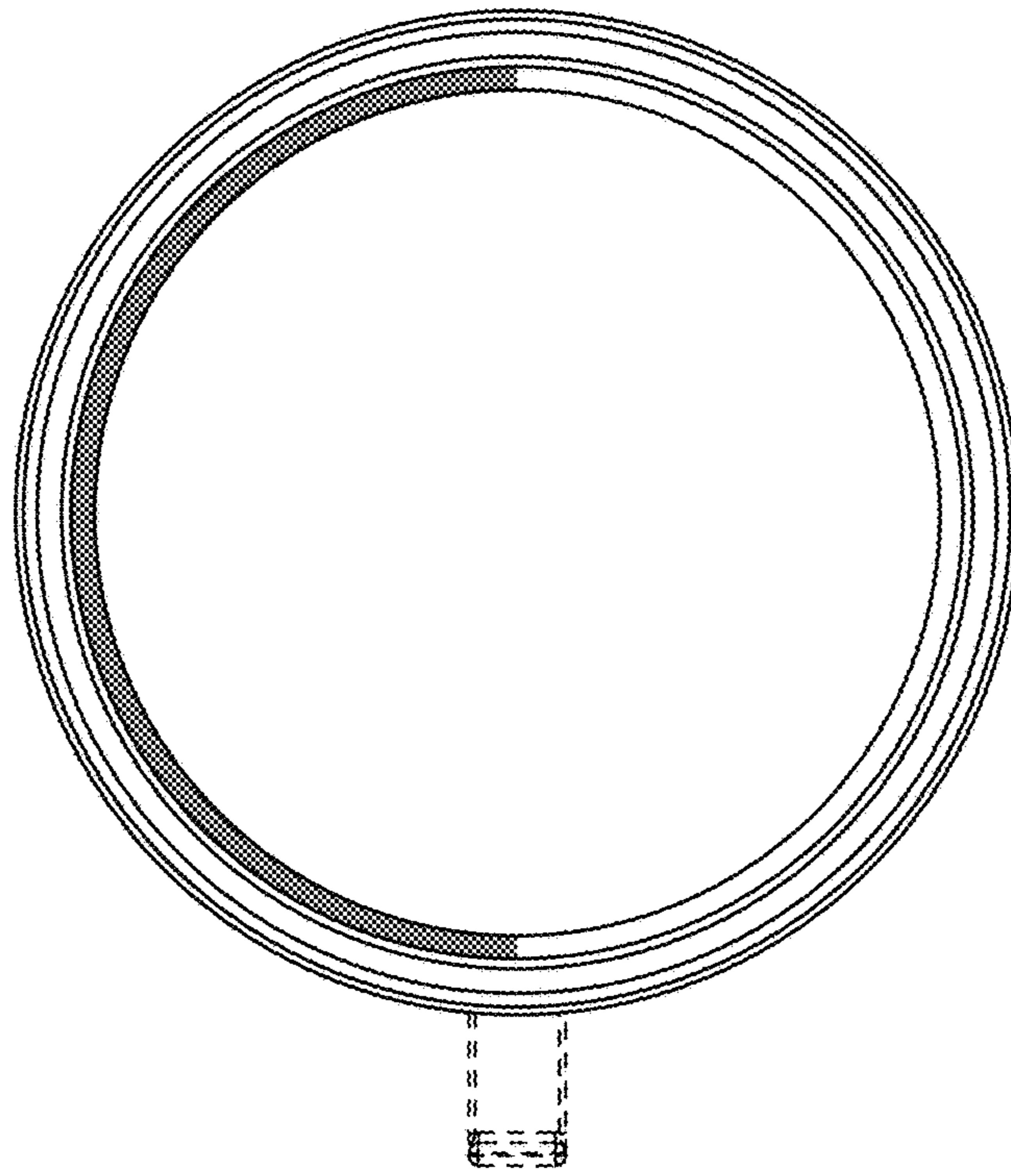


FIG. 8

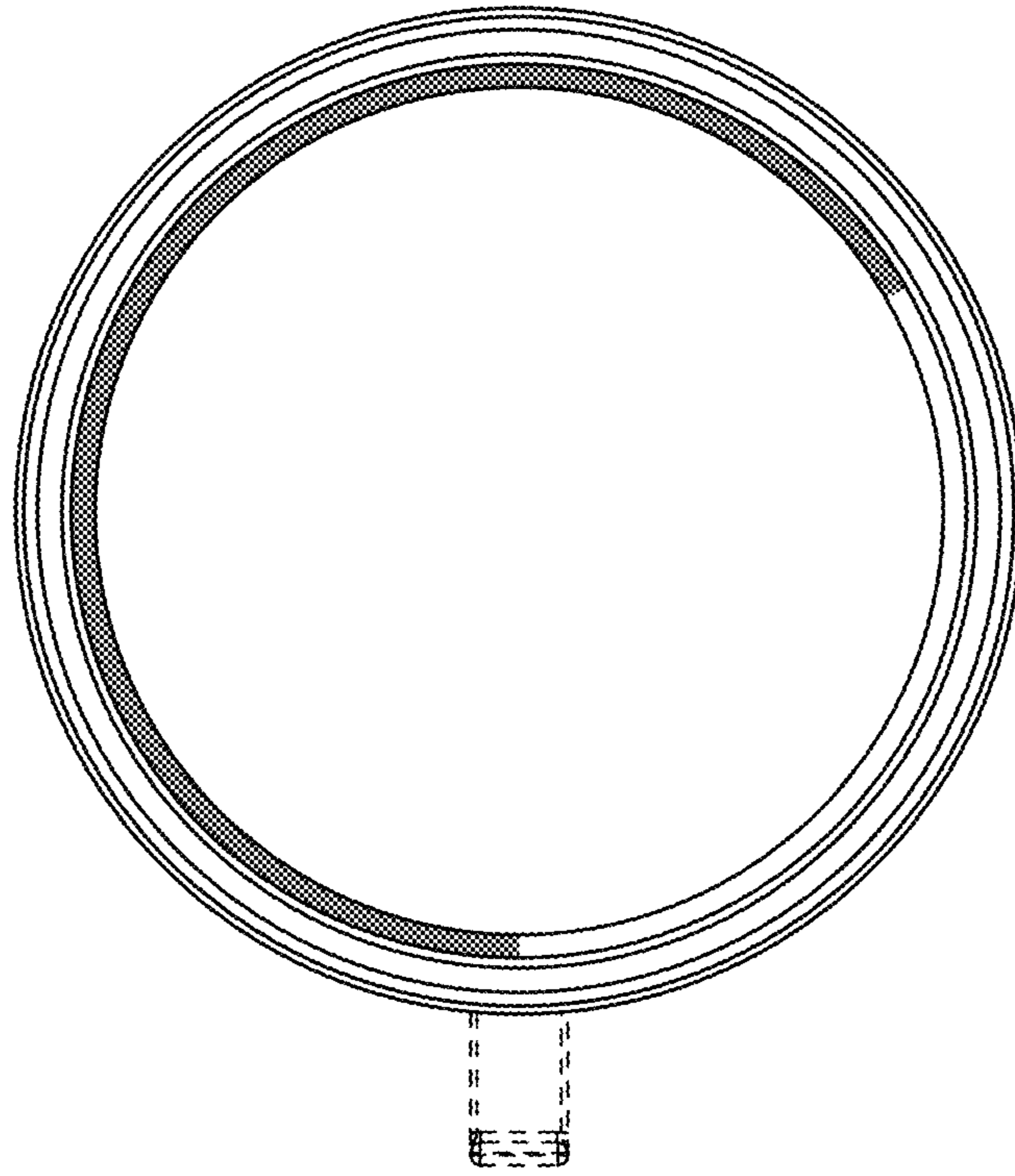


FIG. 9

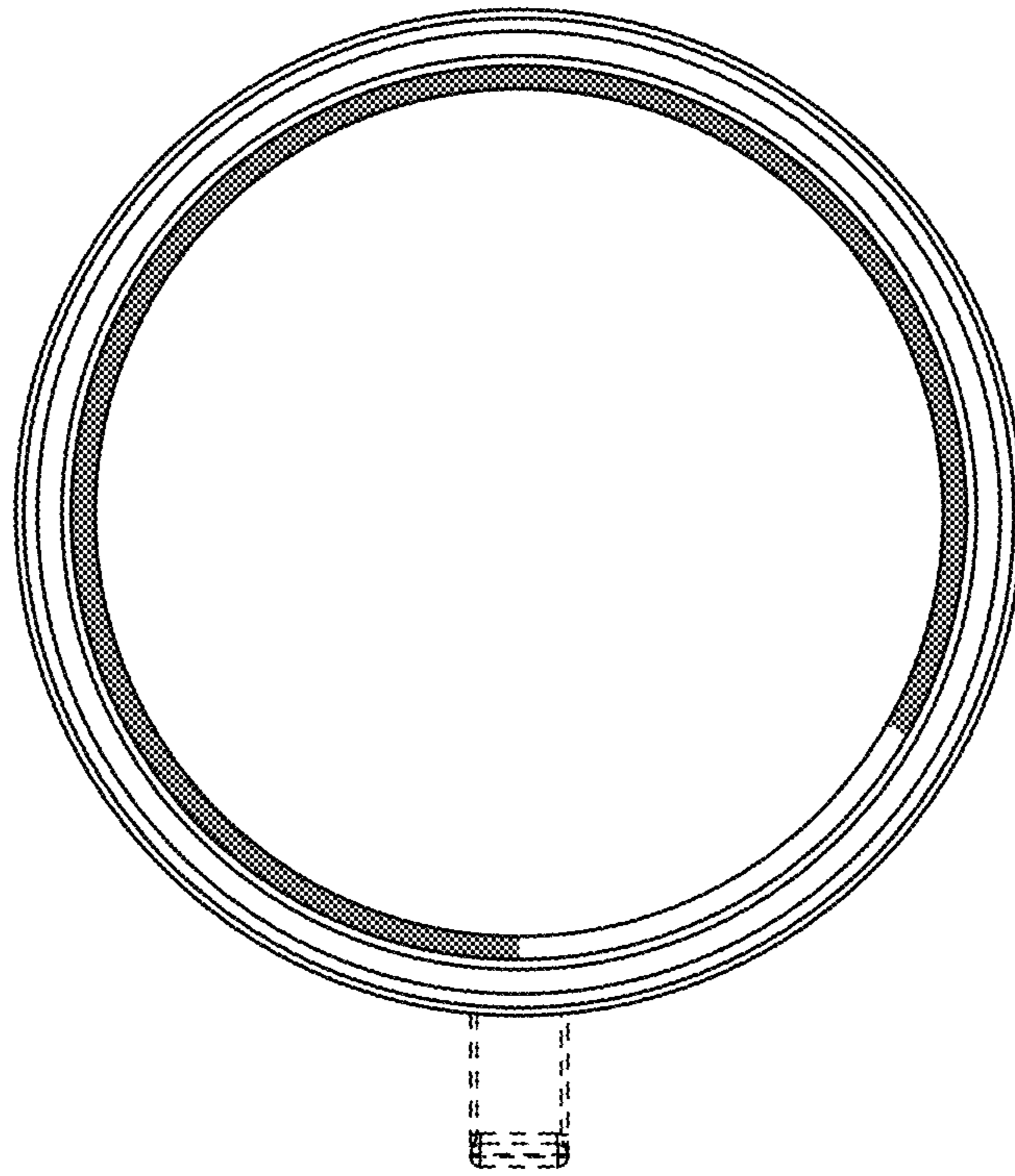


FIG. 10



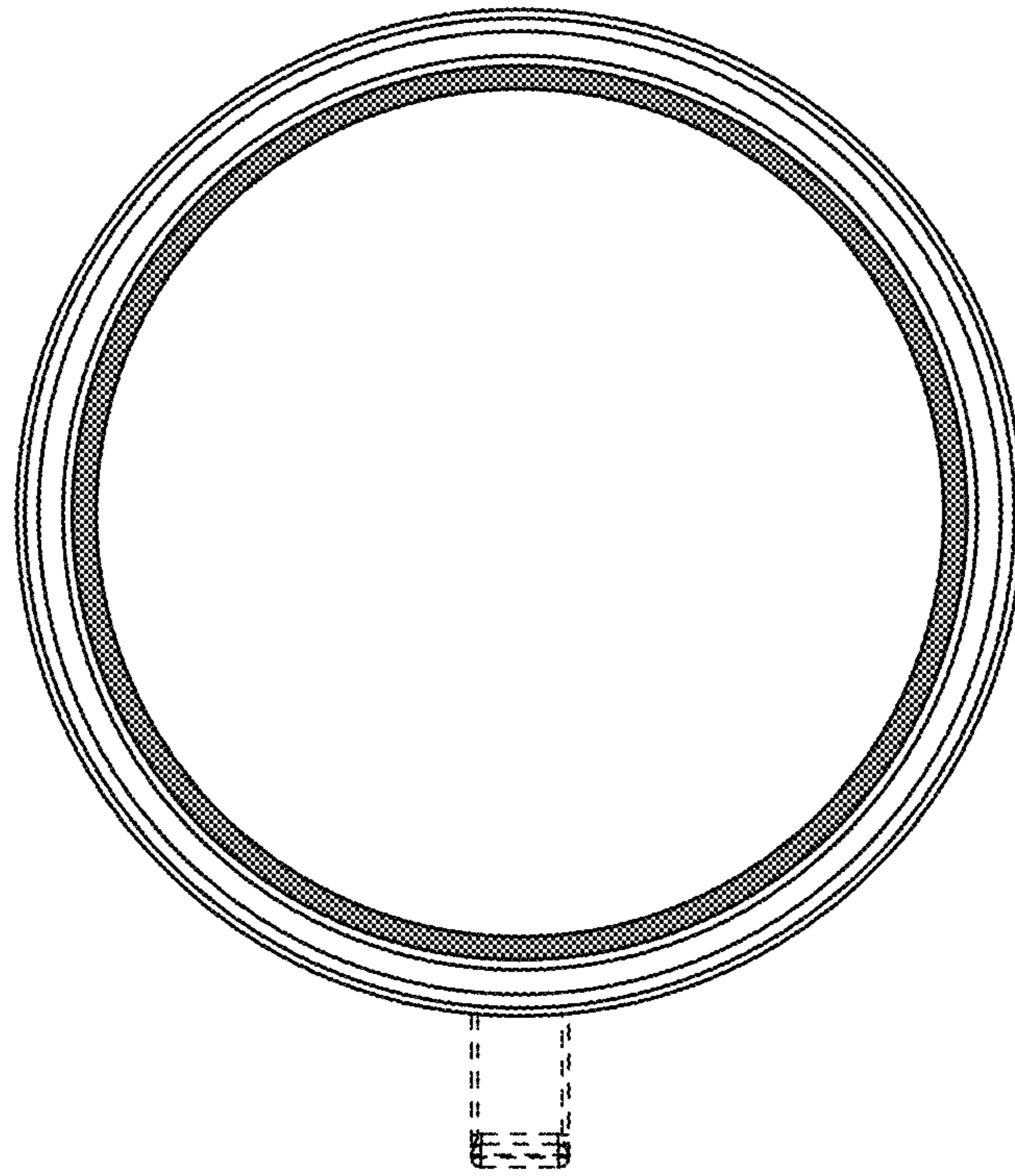


FIG. 11

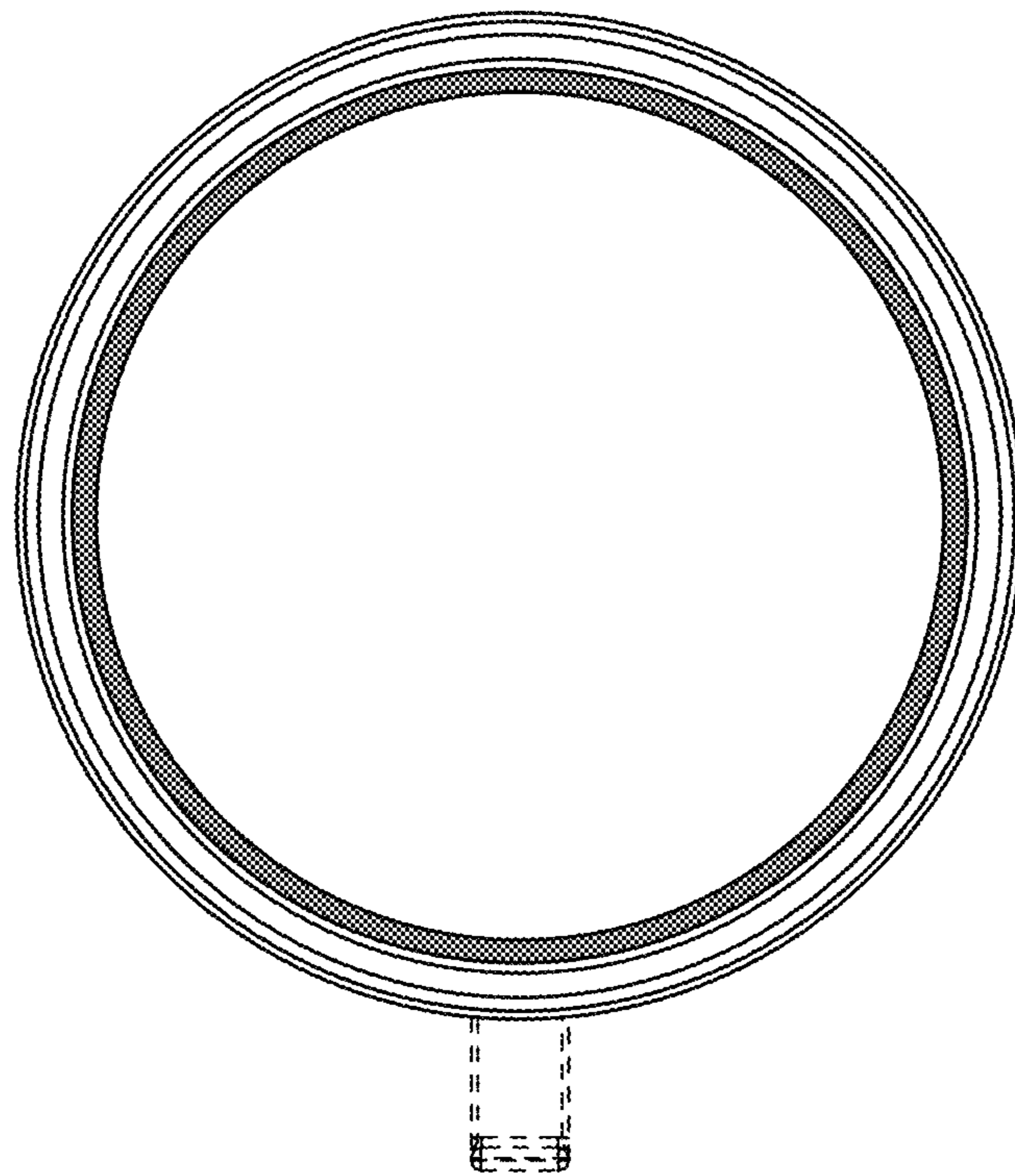


FIG. 12



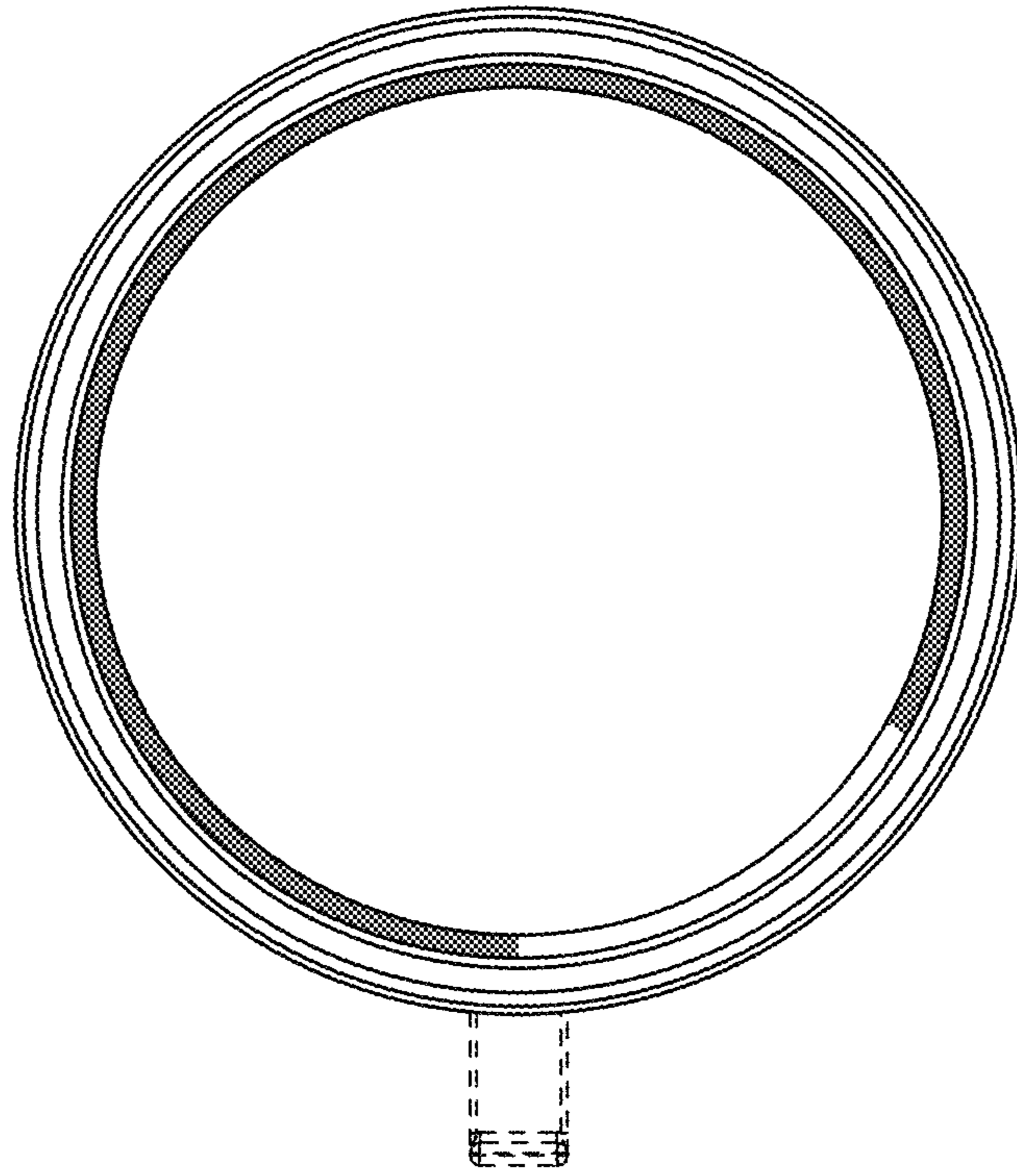


FIG. 13

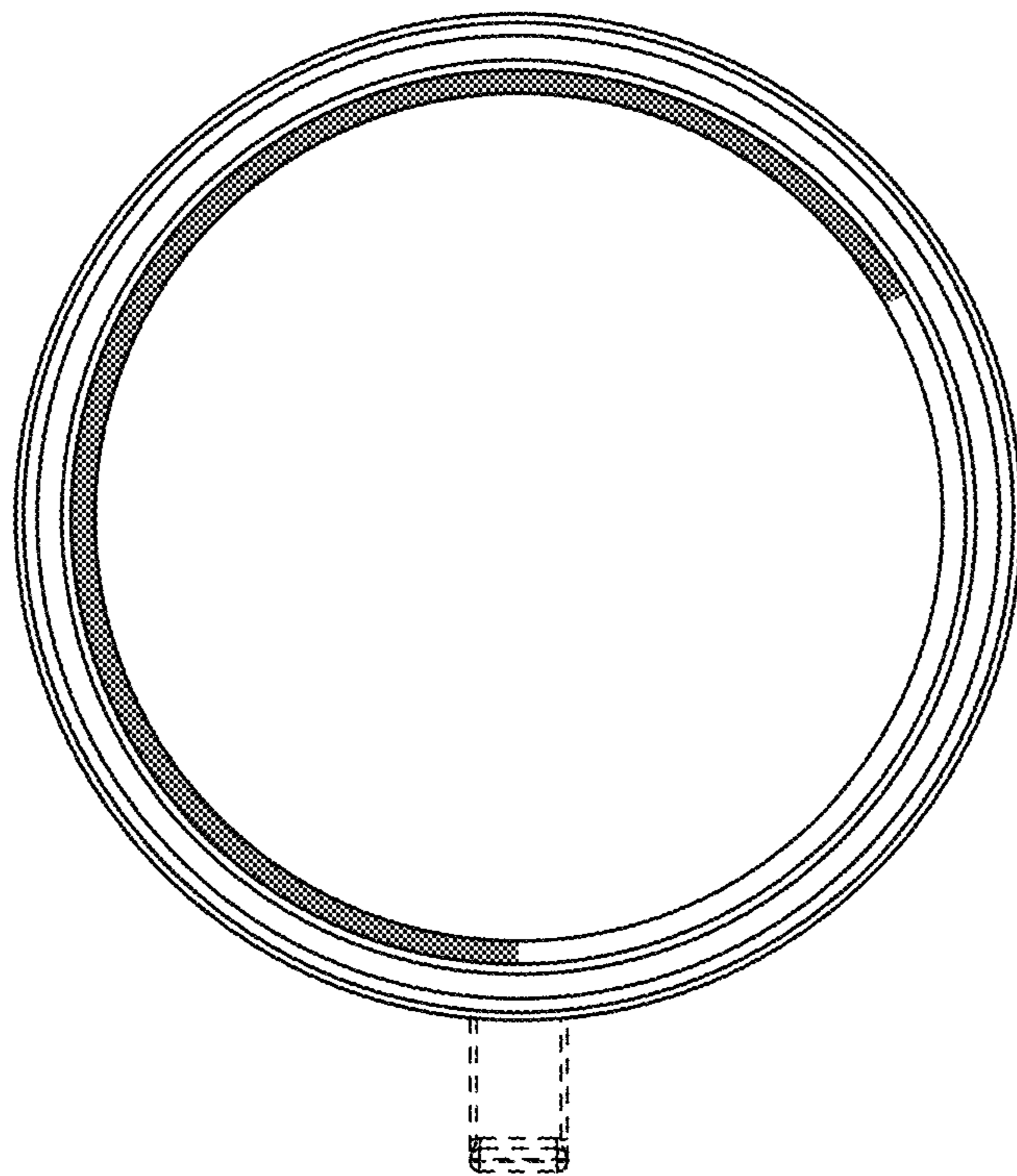


FIG. 14

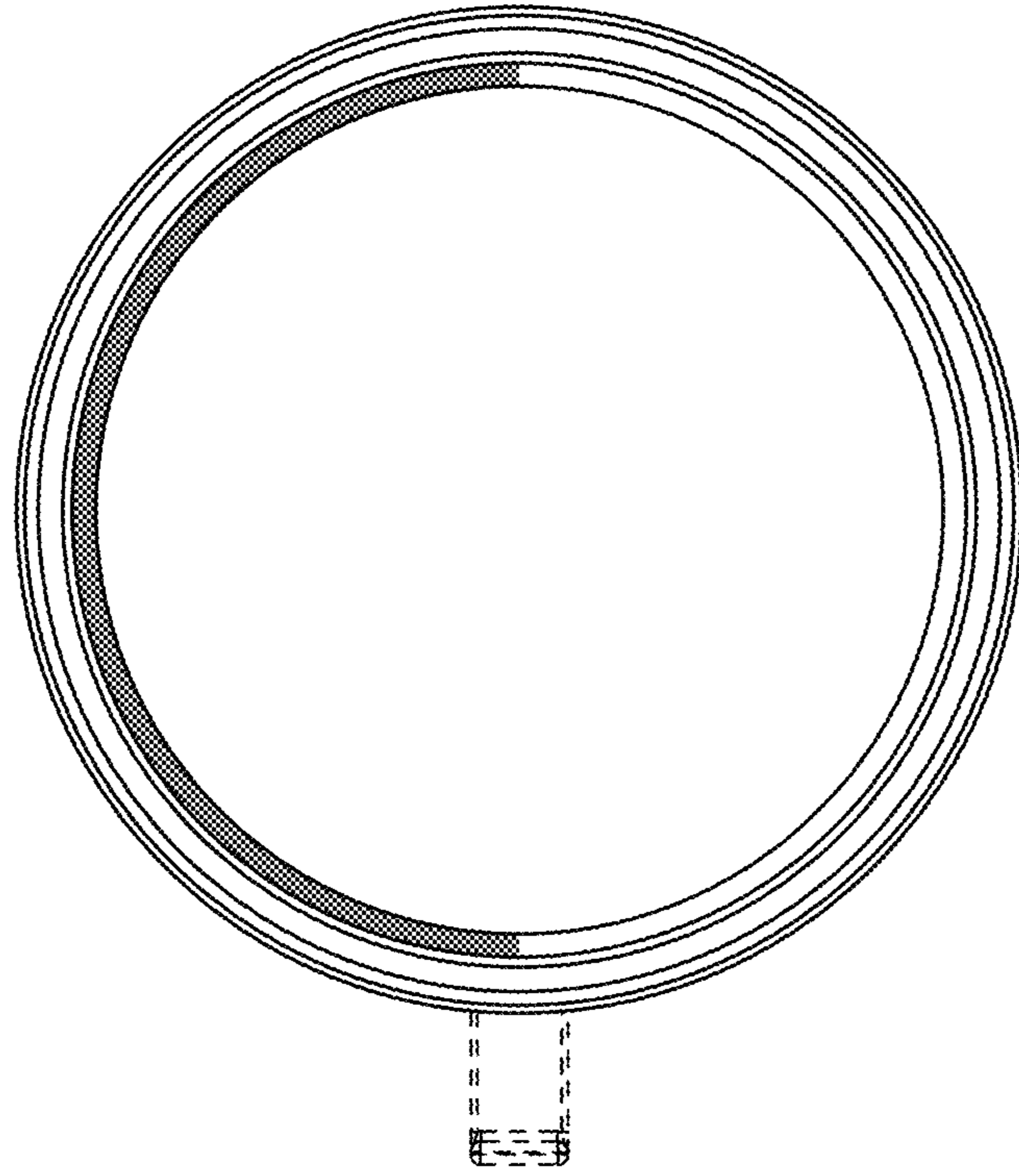


FIG. 15

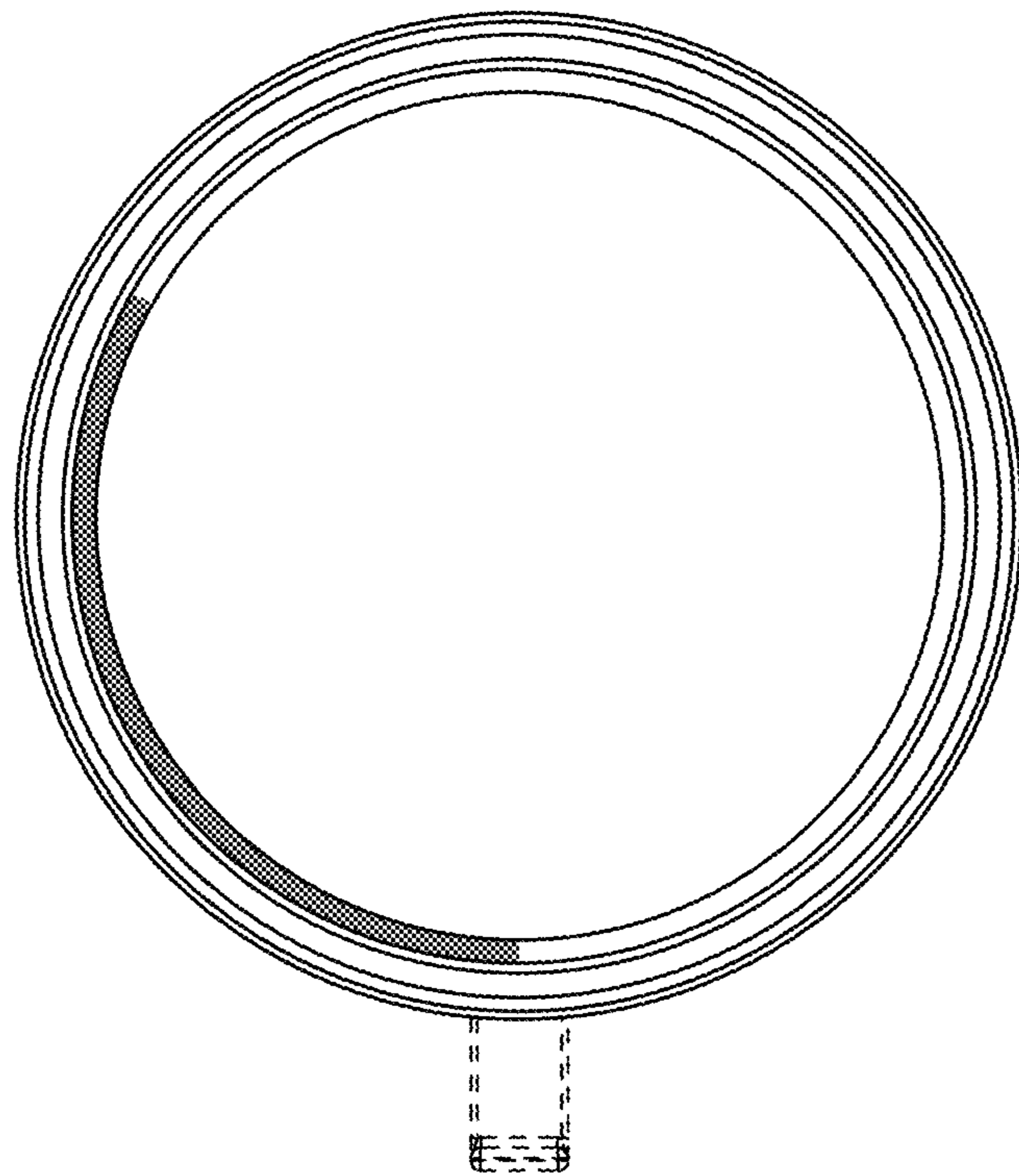


FIG. 16

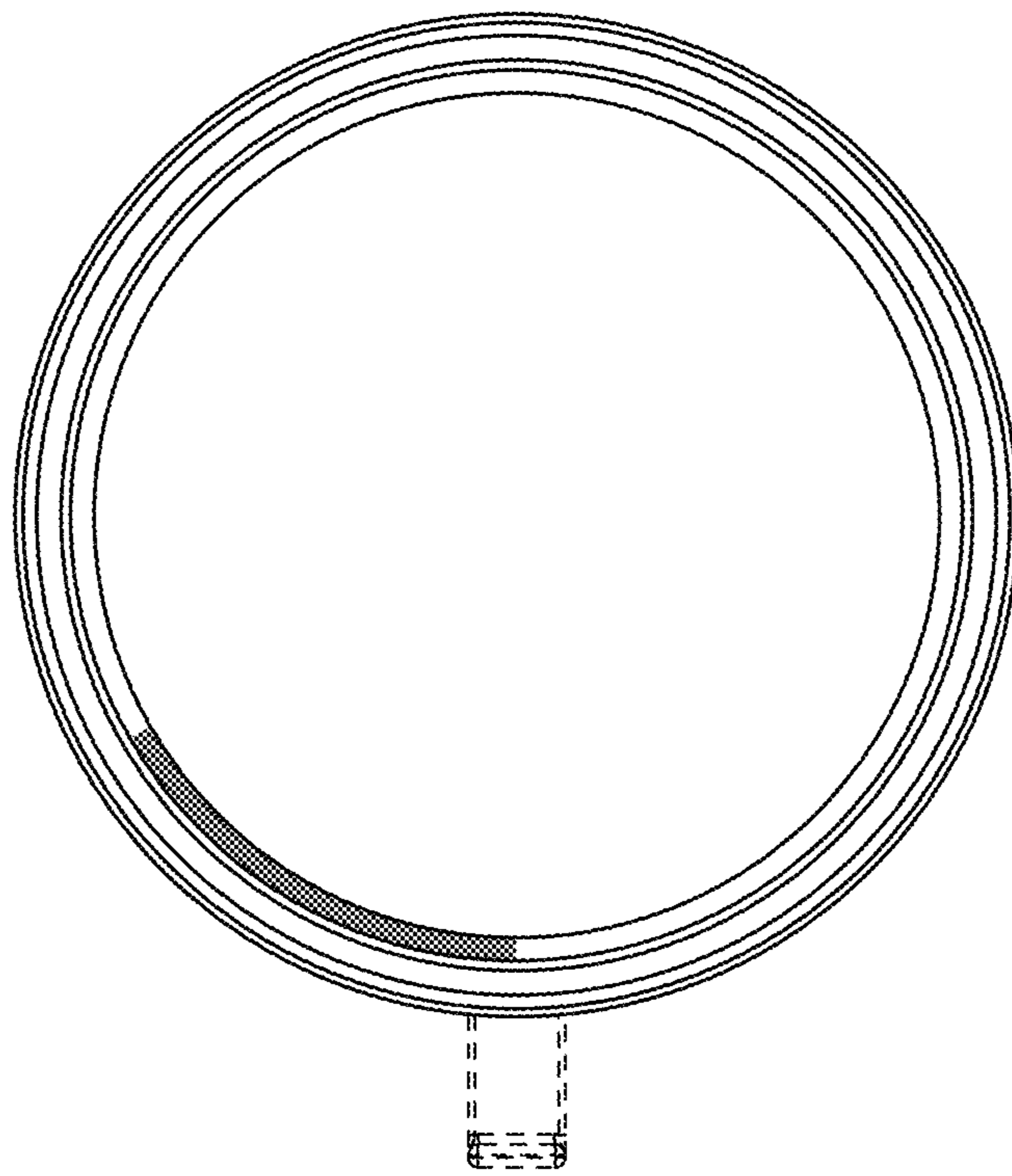


FIG. 17