



US00D868008S

(12) **United States Design Patent**  
**Tang et al.**

(10) **Patent No.:** **US D868,008 S**

(45) **Date of Patent:** **\*\* Nov. 26, 2019**

(54) **CONTROL DEVICE**

(71) Applicant: **eMoMo Technology Co., Ltd.**,  
Shenzhen (CN)

(72) Inventors: **Wenji Tang**, Shenzhen (CN); **Dasheng Hu**, Shenzhen (CN); **Ming Kong**, Shenzhen (CN); **Wei Zhou**, Shenzhen (CN); **Xiaolian Zhou**, Shenzhen (CN); **Wei Liu**, Shenzhen (CN)

(73) Assignee: **eMoMo Technology Co., Ltd.**,  
Shenzhen (CN)

(\*\*) Term: **15 Years**

(21) Appl. No.: **29/616,316**

(22) Filed: **Sep. 5, 2017**

(51) **LOC (12) Cl.** ..... **13-03**

(52) **U.S. Cl.**  
USPC ..... **D13/171; D13/162**

(58) **Field of Classification Search**  
USPC ..... **D13/162, 164, 171, 173, 174; D14/344; D10/98**

(Continued)

(56) **References Cited**

**U.S. PATENT DOCUMENTS**

7,102,507 B1 \* 9/2006 Lauren ..... G07C 9/00182  
340/12.55

D720,305 S \* 12/2014 Wenji ..... D13/174

(Continued)

*Primary Examiner* — Selina Sikder

(74) *Attorney, Agent, or Firm* — Bass, Berry & Sims,  
PLC

(57) **CLAIM**

The ornamental design for a control device, as shown and described.

**DESCRIPTION**

FIG. 1 is a first perspective view of a first embodiment of the control device showing our new design;

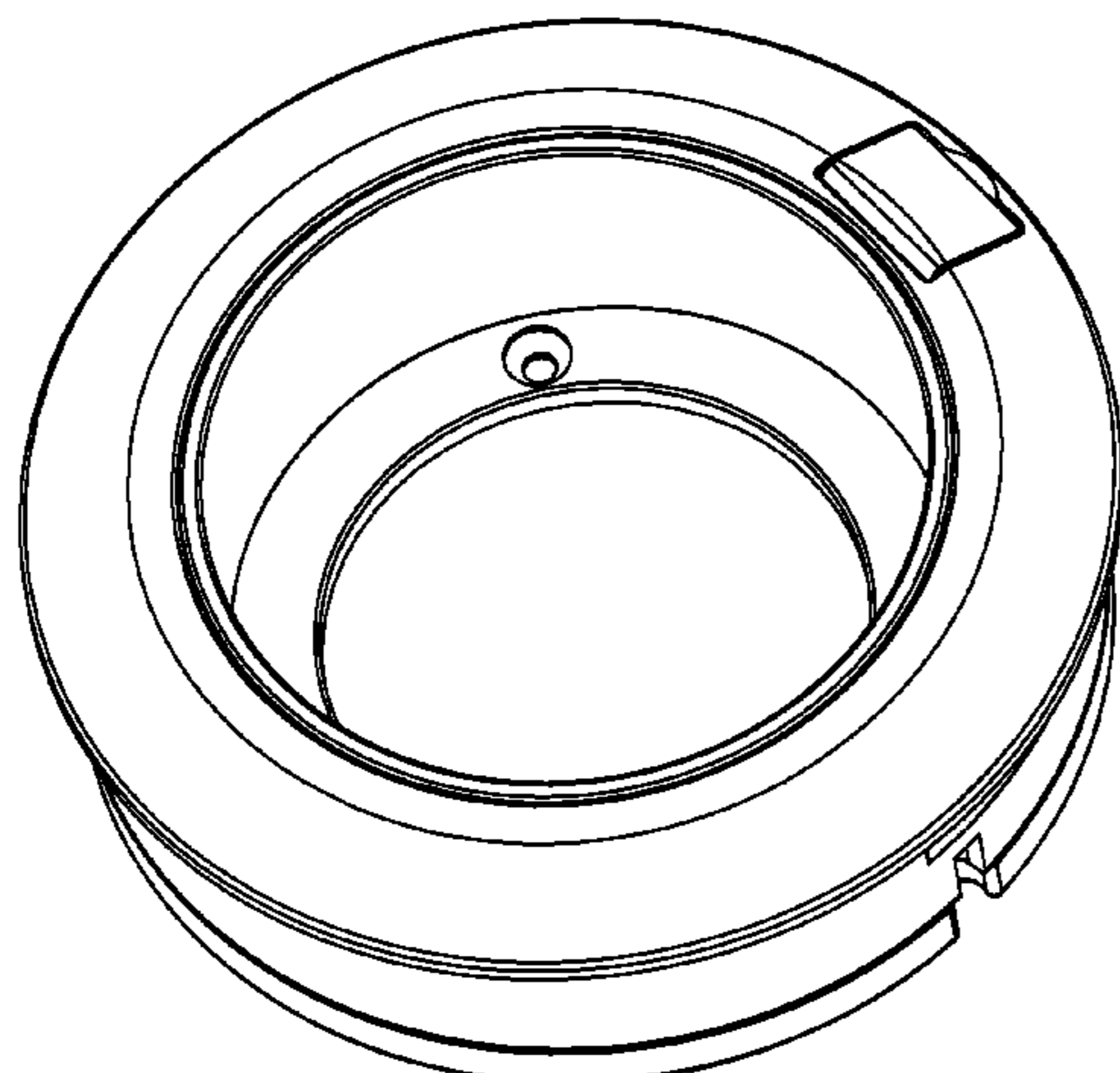


FIG. 2 is a second perspective view thereof, showing an inner tabular wall in an upward extended position;

FIG. 3 is a third perspective view thereof, showing a universal serial bus (USB) port with its cover open;

FIG. 4 is a top plan view thereof, showing the control device in use;

FIG. 5 is a bottom plan view thereof;

FIG. 6 is a first side view thereof, showing the inner tabular wall in an upward extended position;

FIG. 7 is a second side view thereof, showing the inner tabular wall in an upward extended position;

FIG. 8 is a sectional view thereof, showing the inner tabular wall in an upward extended position taken along line 8-8 in FIG. 5;

FIG. 9 is a first perspective view of a second embodiment of the control device;

FIG. 10 is a second perspective view thereof, showing the inner tabular wall in an upward extended position and the USB port cover open;

FIG. 11 is a top plan view thereof, showing the control device;

FIG. 12 is a bottom plan view thereof;

FIG. 13 is a first side view thereof;

FIG. 14 is a second side view thereof;

FIG. 15 is a left side view thereof;

FIG. 16 is a right side view thereof;

FIG. 17 is a third side view thereof, showing the inner tabular wall in an upward extended position;

FIG. 18 is a fourth side view thereof, showing the inner tabular wall in an upward extended position the USB port cover open;

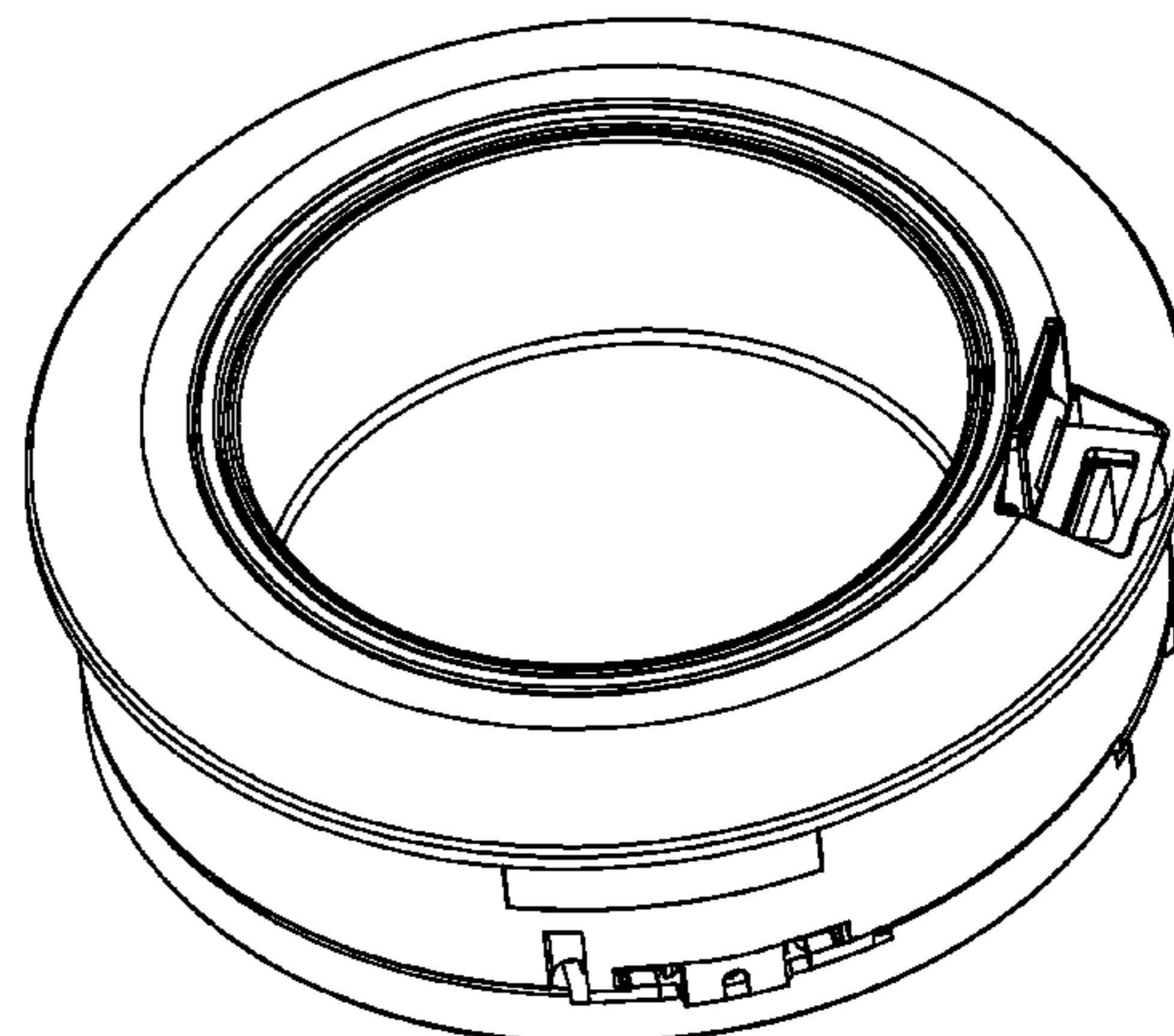
FIG. 19 is a left side view thereof, showing the inner tabular wall in an upward extended position the USB port cover open;

FIG. 20 is a right side view thereof, showing the inner tabular wall in an upward extended position the USB port cover open; and,

FIG. 21 is a sectional view thereof, showing the inner tabular wall in an upward extended position taken along line 21-21 in FIG. 12.

In the drawings, the broken lines depict a portion of the control device, which form no part of the claim.

**1 Claim, 21 Drawing Sheets**



(58) **Field of Classification Search**

CPC ..... H01H 3/02; H01H 3/022; H01H 3/12;  
H01H 3/122; H01H 9/02; H01H 9/0235;  
H01H 13/023; H01H 13/04; H01H 13/06;  
H01H 13/063; H01H 13/10; H01H 13/12;  
H01H 13/14; H01H 13/36; H01H 13/70;  
H01H 13/86; H01H 21/24; H01H 25/065;  
A47C 1/0345; A47C 1/035; A47C 7/506;  
A61B 5/6801; A61B 5/681; A61B  
5/6824; A61B 5/6825; A61B 5/683

See application file for complete search history.

(56) **References Cited**

U.S. PATENT DOCUMENTS

D726,572 S \* 4/2015 Walters ..... D11/3  
D733,652 S \* 7/2015 Wenji ..... D13/123  
D760,034 S \* 6/2016 Tang ..... D7/624.1  
9,493,102 B2 \* 11/2016 Tang ..... B60N 3/104  
D777,082 S \* 1/2017 Tang ..... D12/419  
D791,765 S \* 7/2017 von Badinski ..... D14/344  
9,744,943 B1 \* 8/2017 Hiatt ..... B60R 25/04  
D804,471 S \* 12/2017 von Badinski ..... D14/344  
D812,607 S \* 3/2018 Mistry ..... D14/344  
D818,973 S \* 5/2018 Tang ..... D13/171  
10,113,791 B2 \* 10/2018 Wenji ..... F25D 31/006  
2005/0241925 A1 \* 11/2005 Altmann ..... H01H 9/08  
200/11 R  
2012/0186951 A1 \* 7/2012 Wu ..... H01H 25/008  
200/4  
2014/0042002 A1 \* 2/2014 Chu ..... H03K 17/9622  
200/313

\* cited by examiner

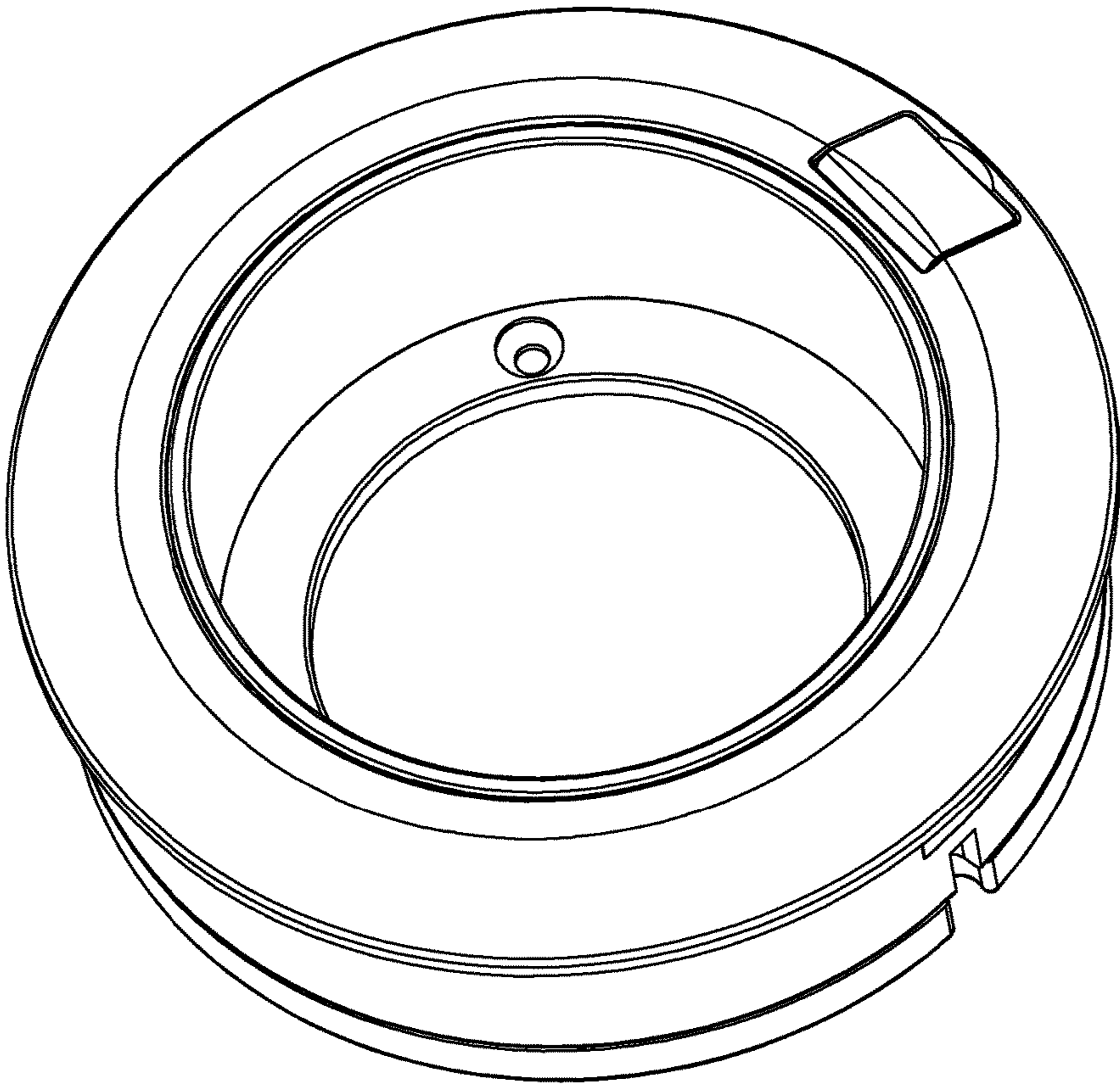


FIG. 1

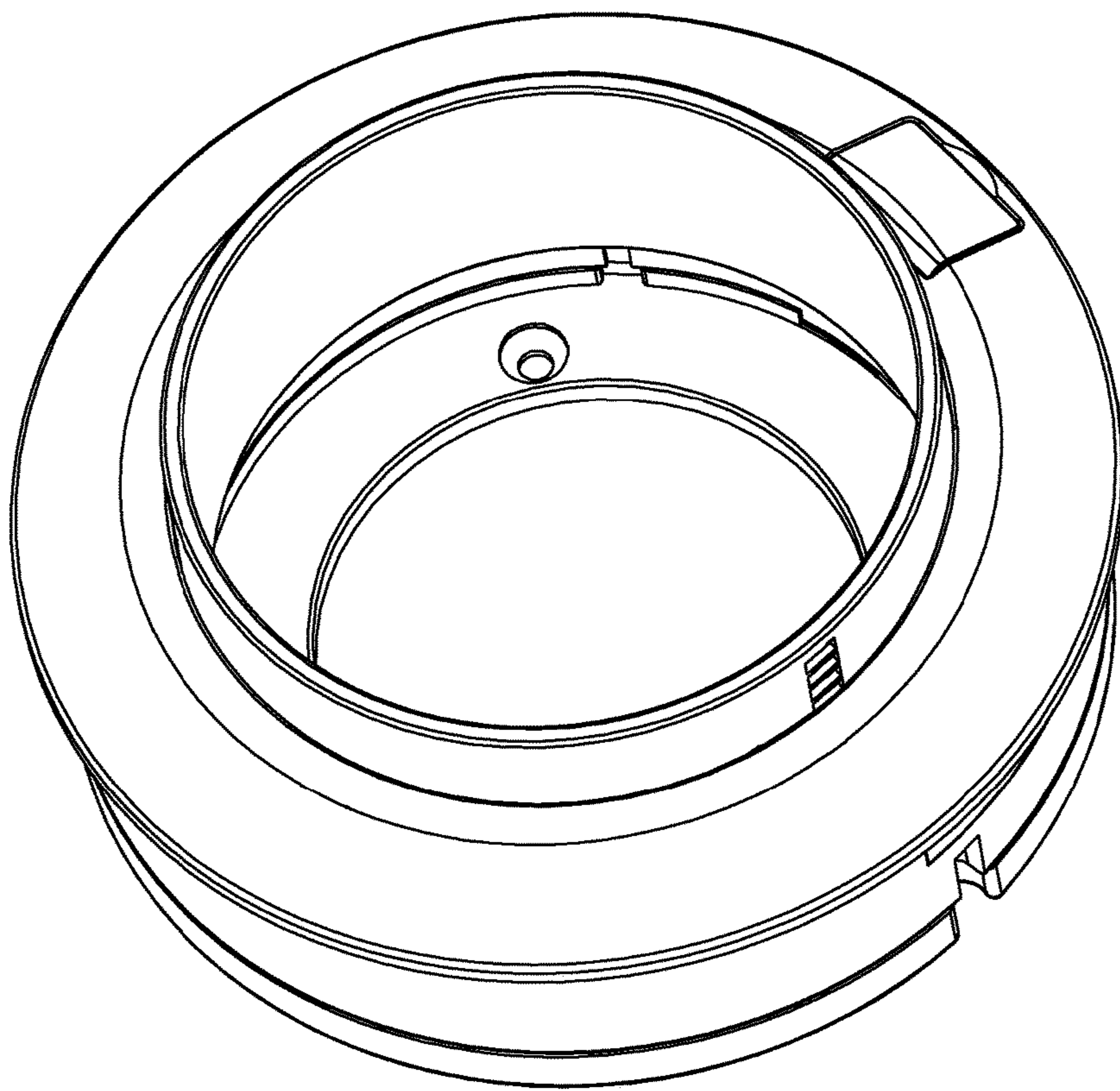


FIG. 2

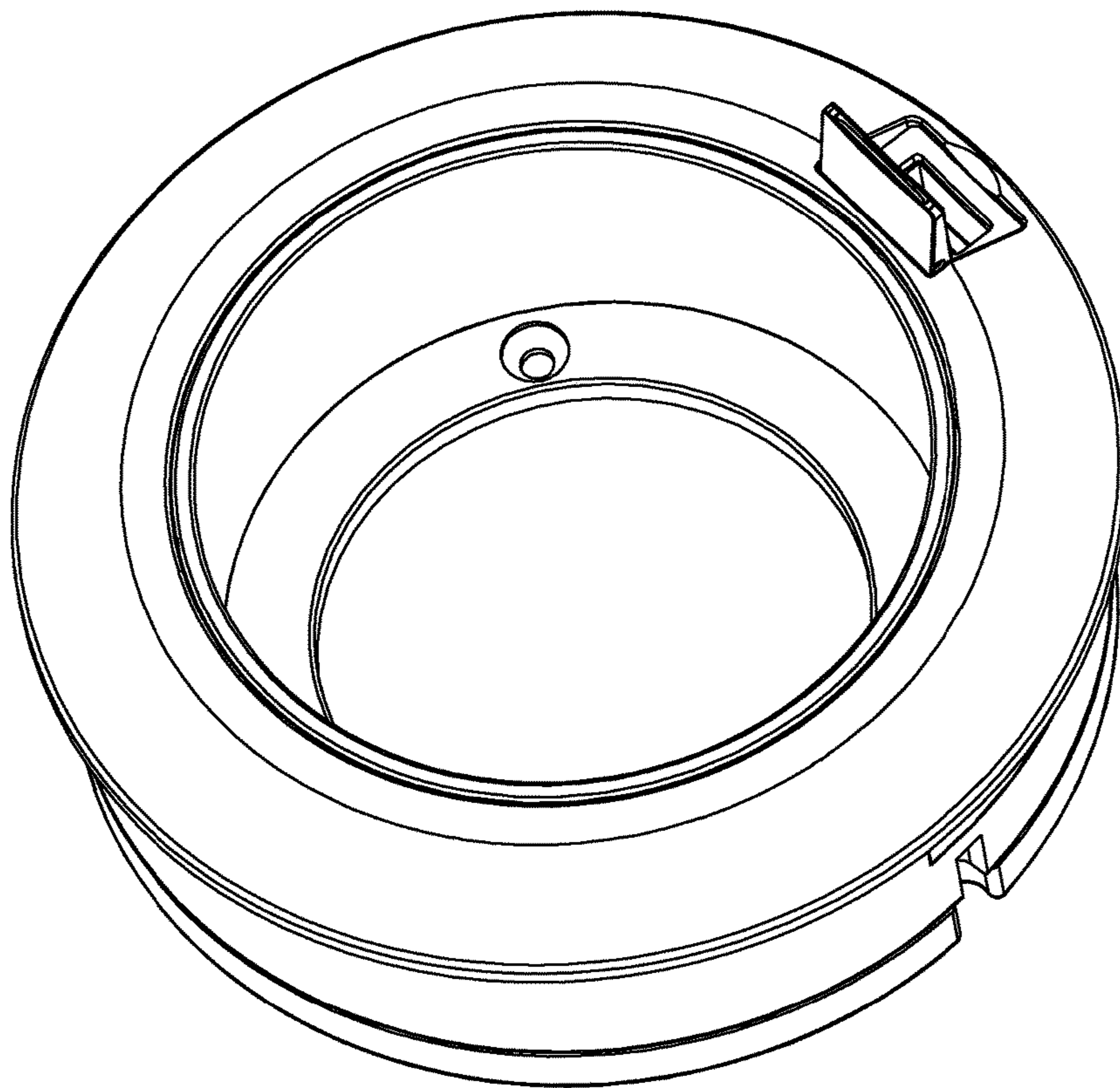


FIG. 3

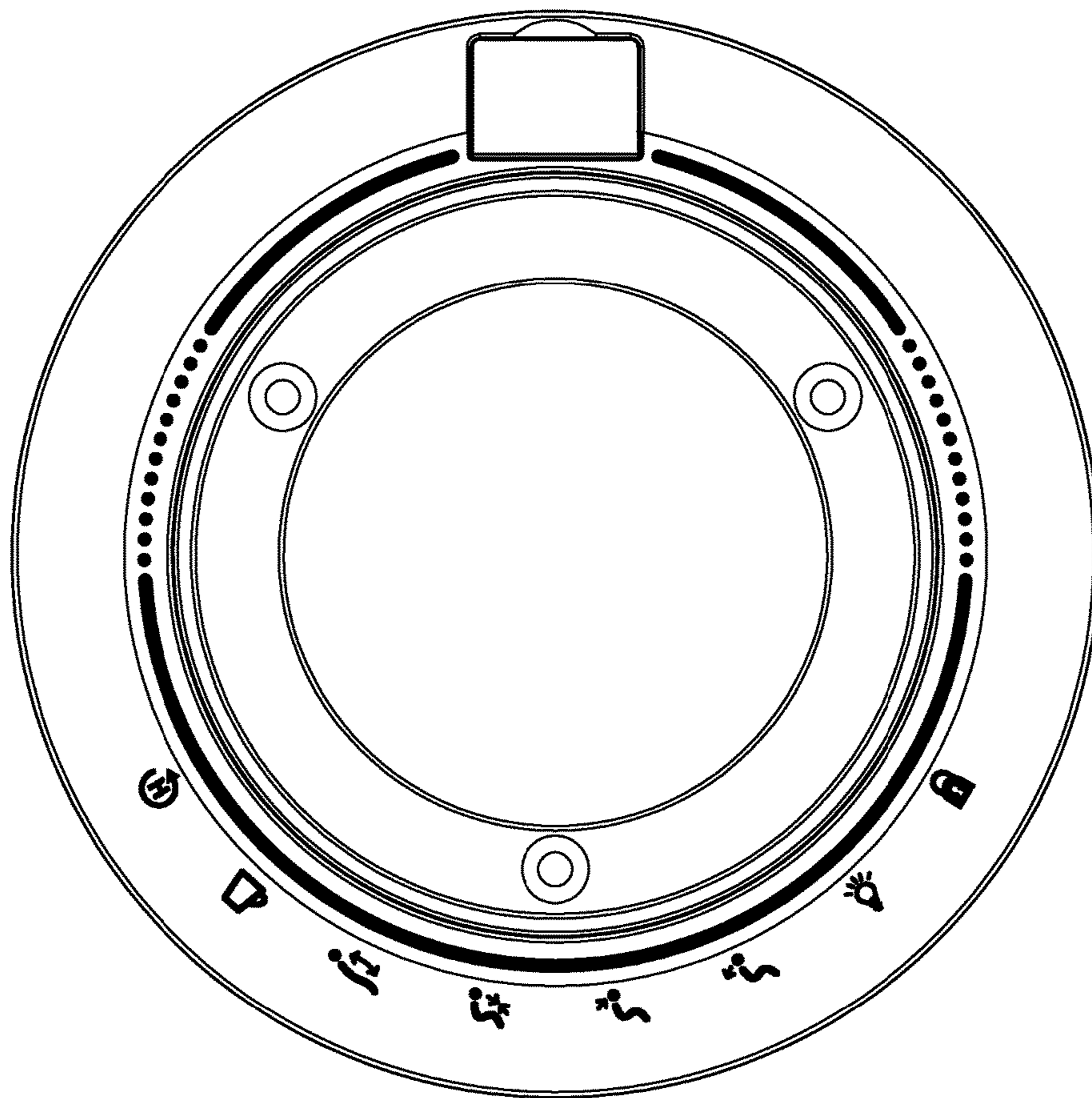


FIG. 4

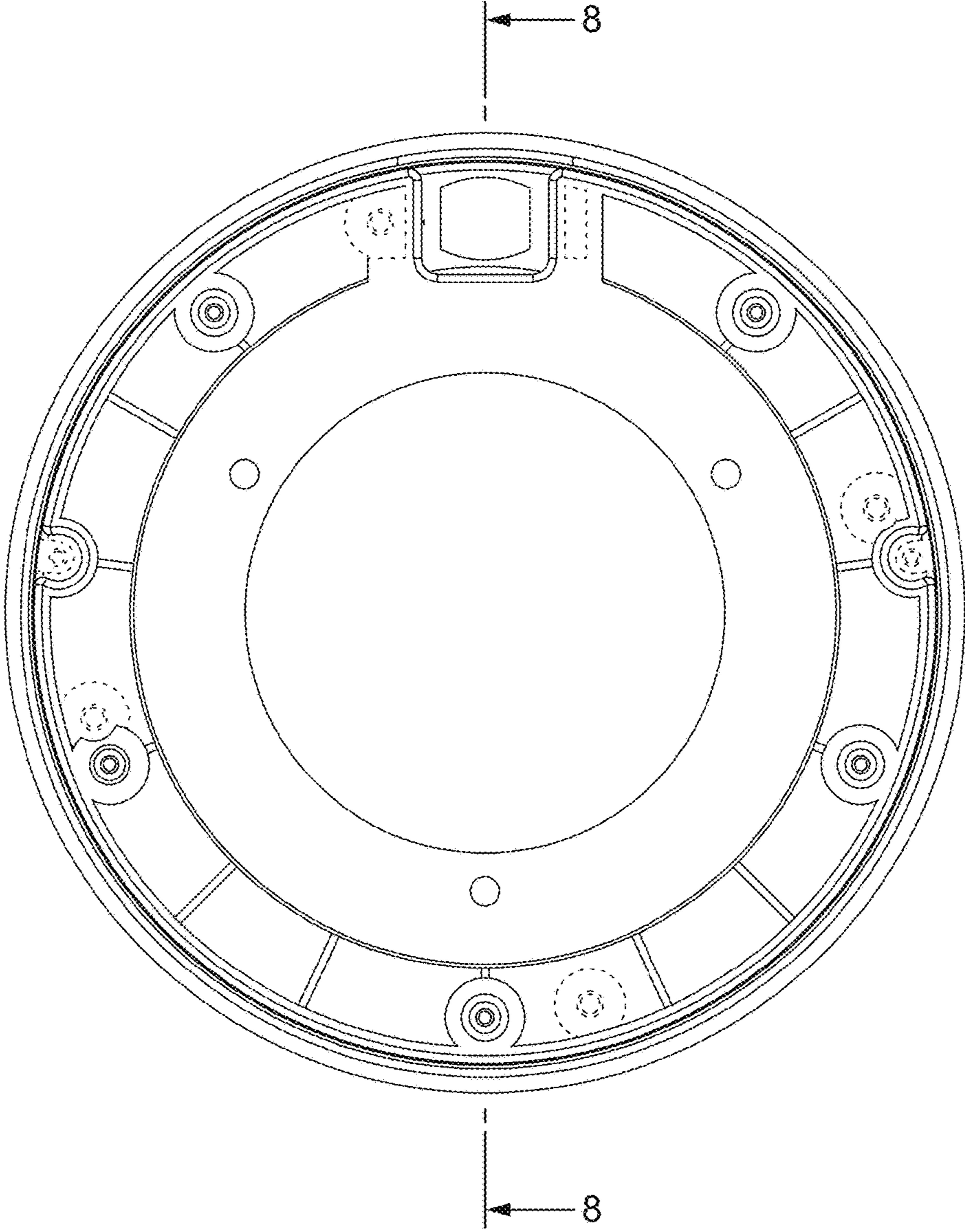


FIG. 5

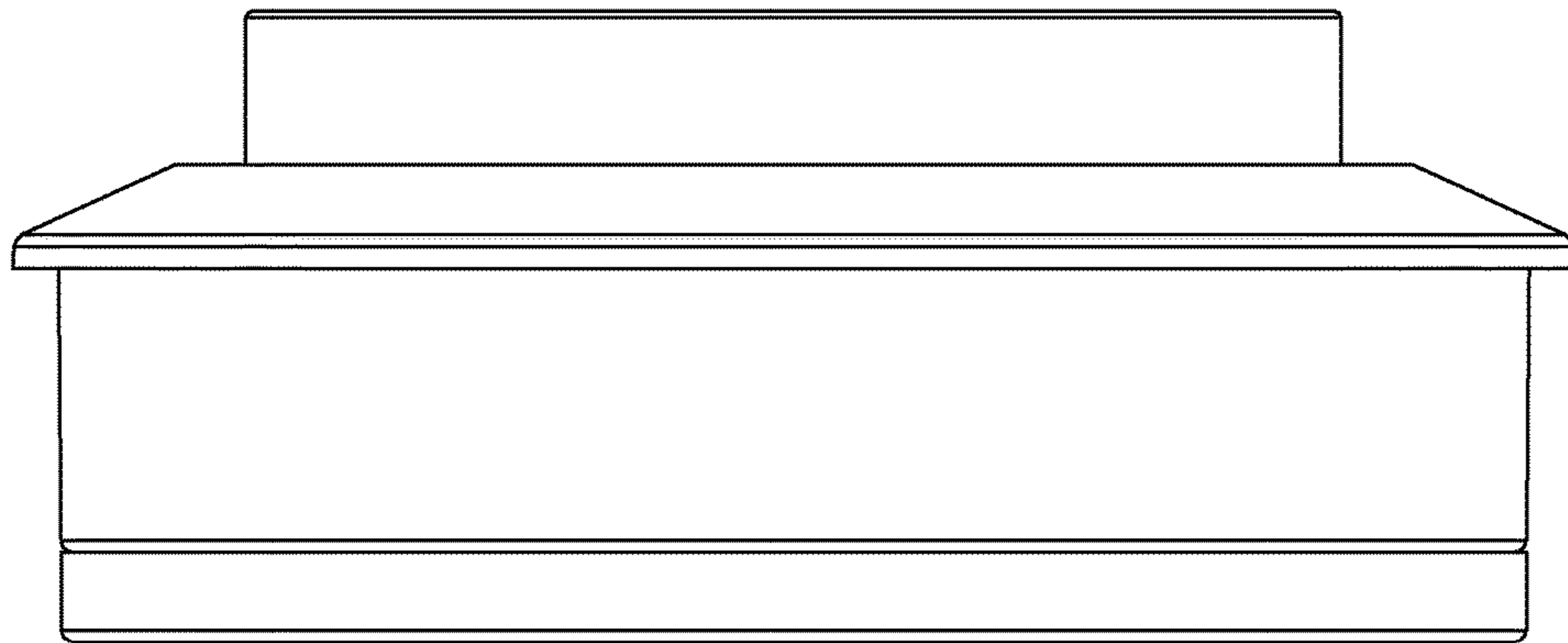


FIG. 6



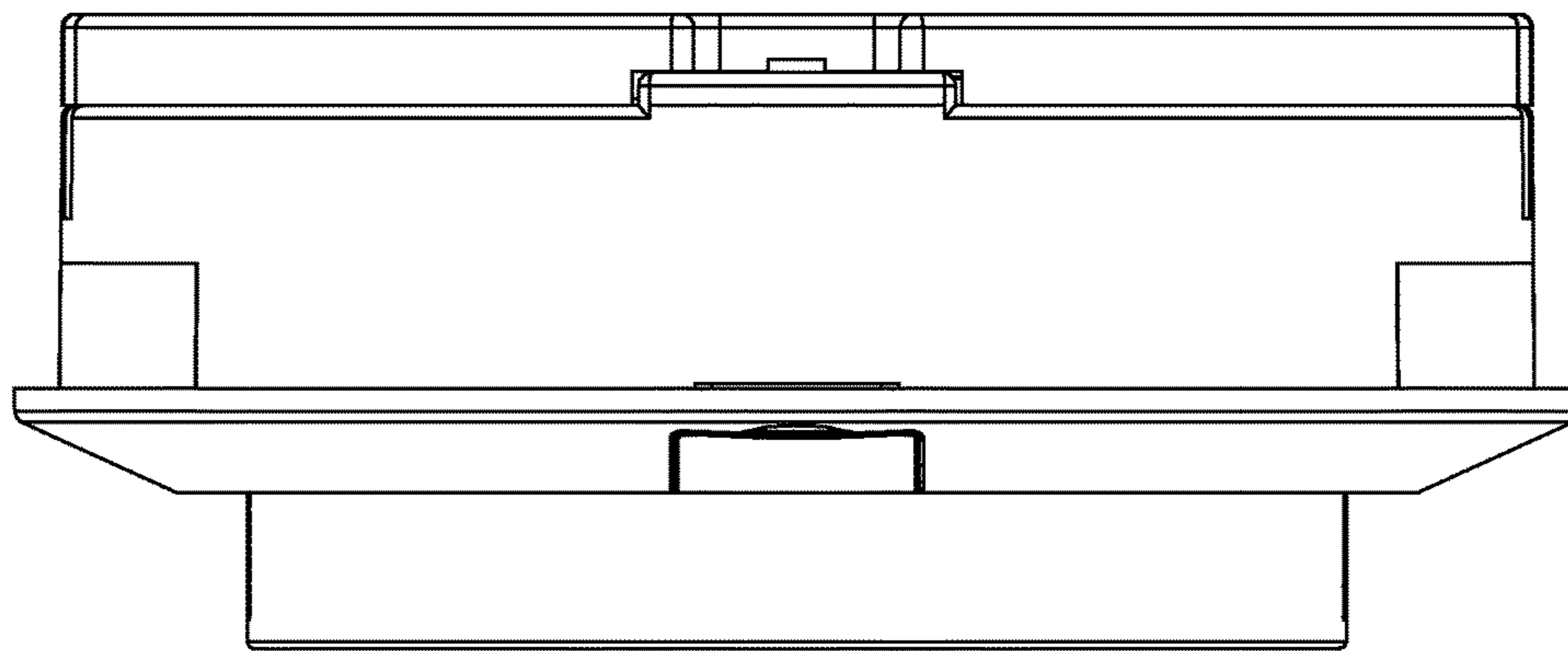


FIG. 7

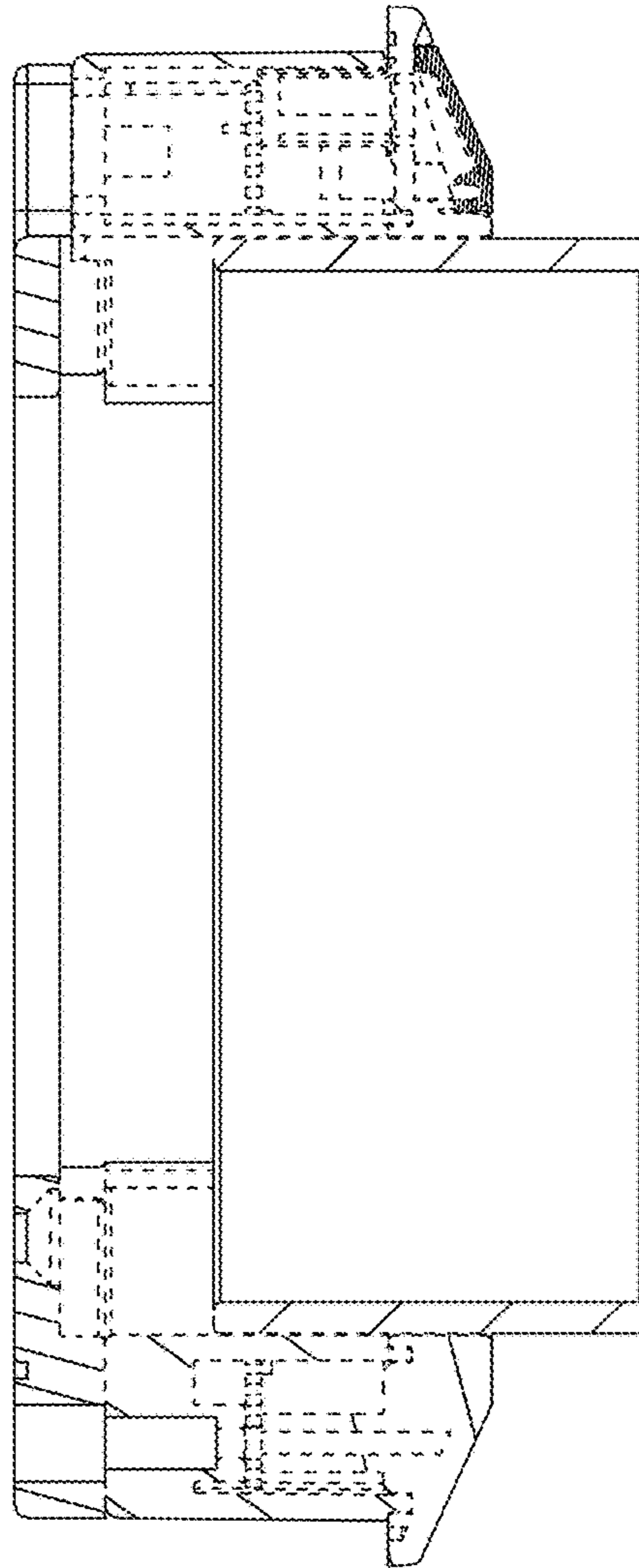


FIG. 8

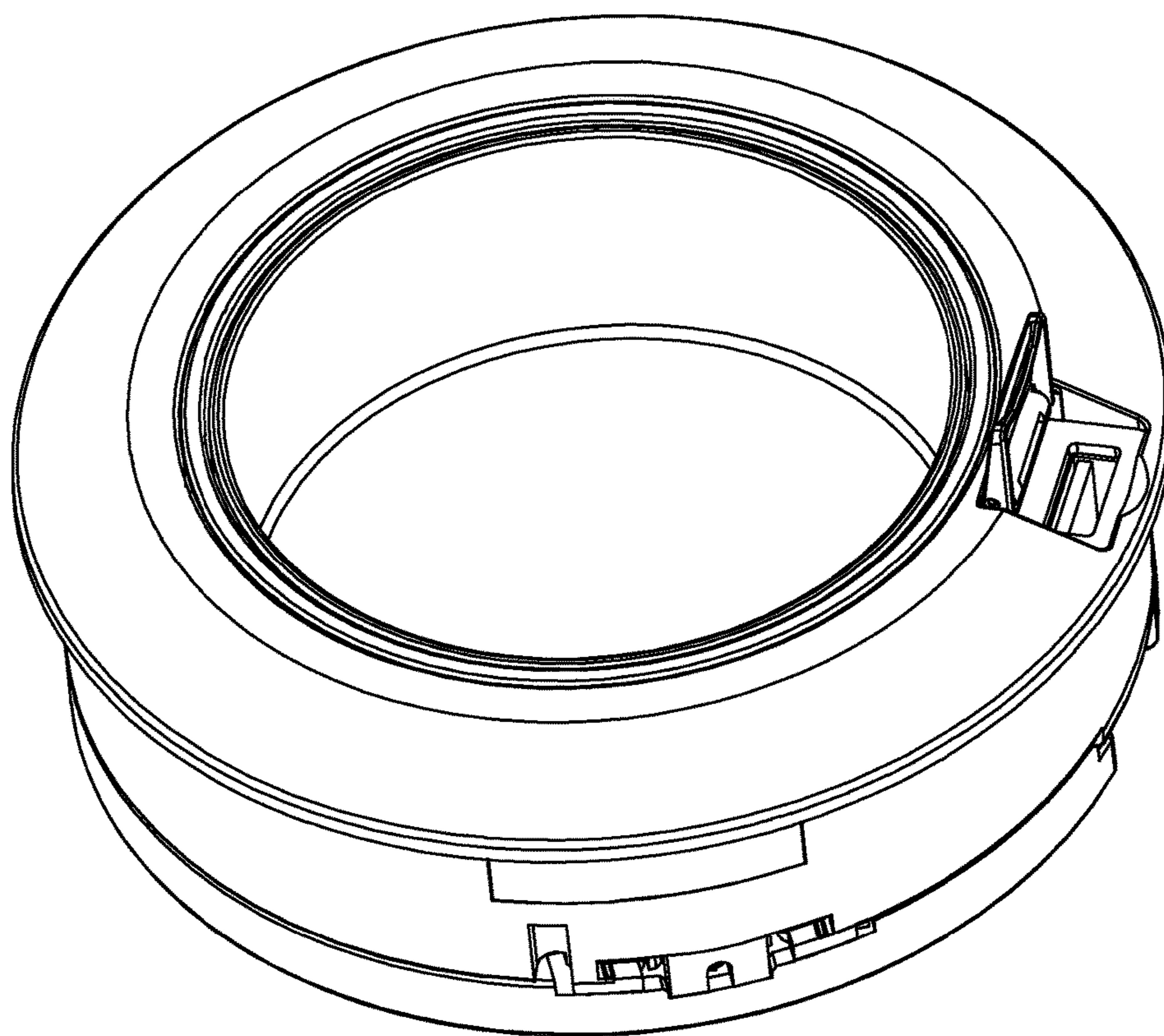


FIG. 9

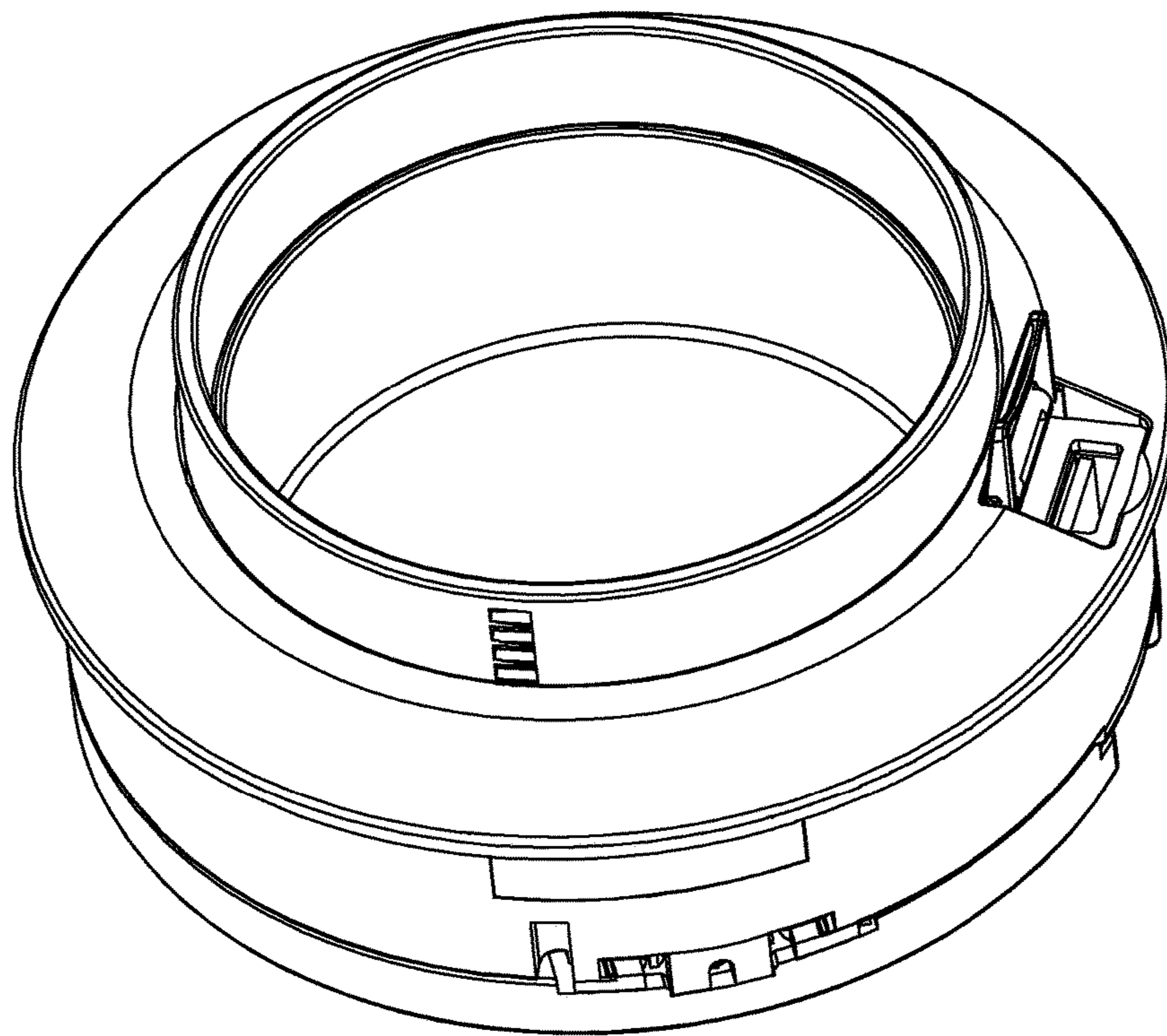


FIG. 10

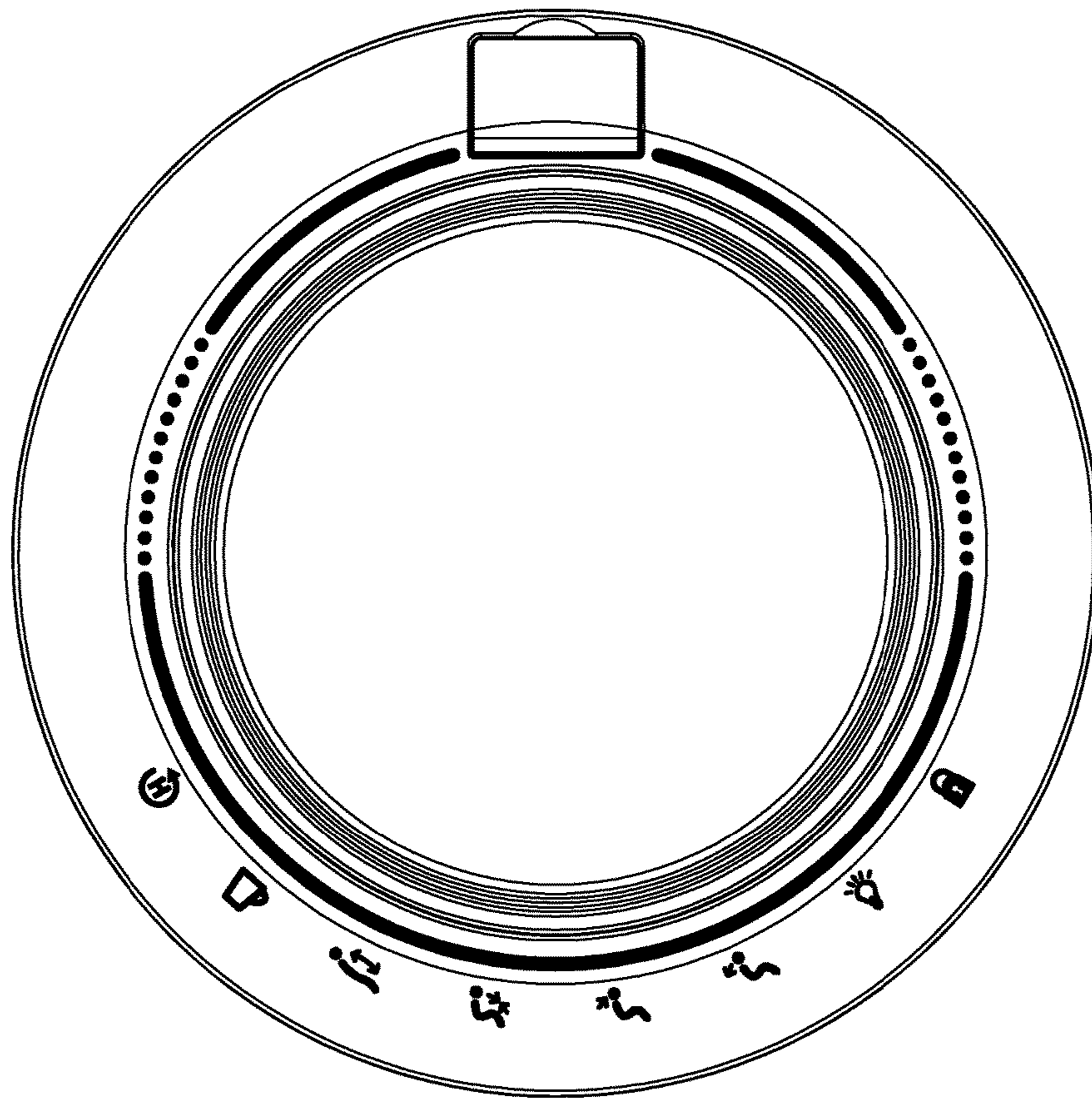


FIG. 11

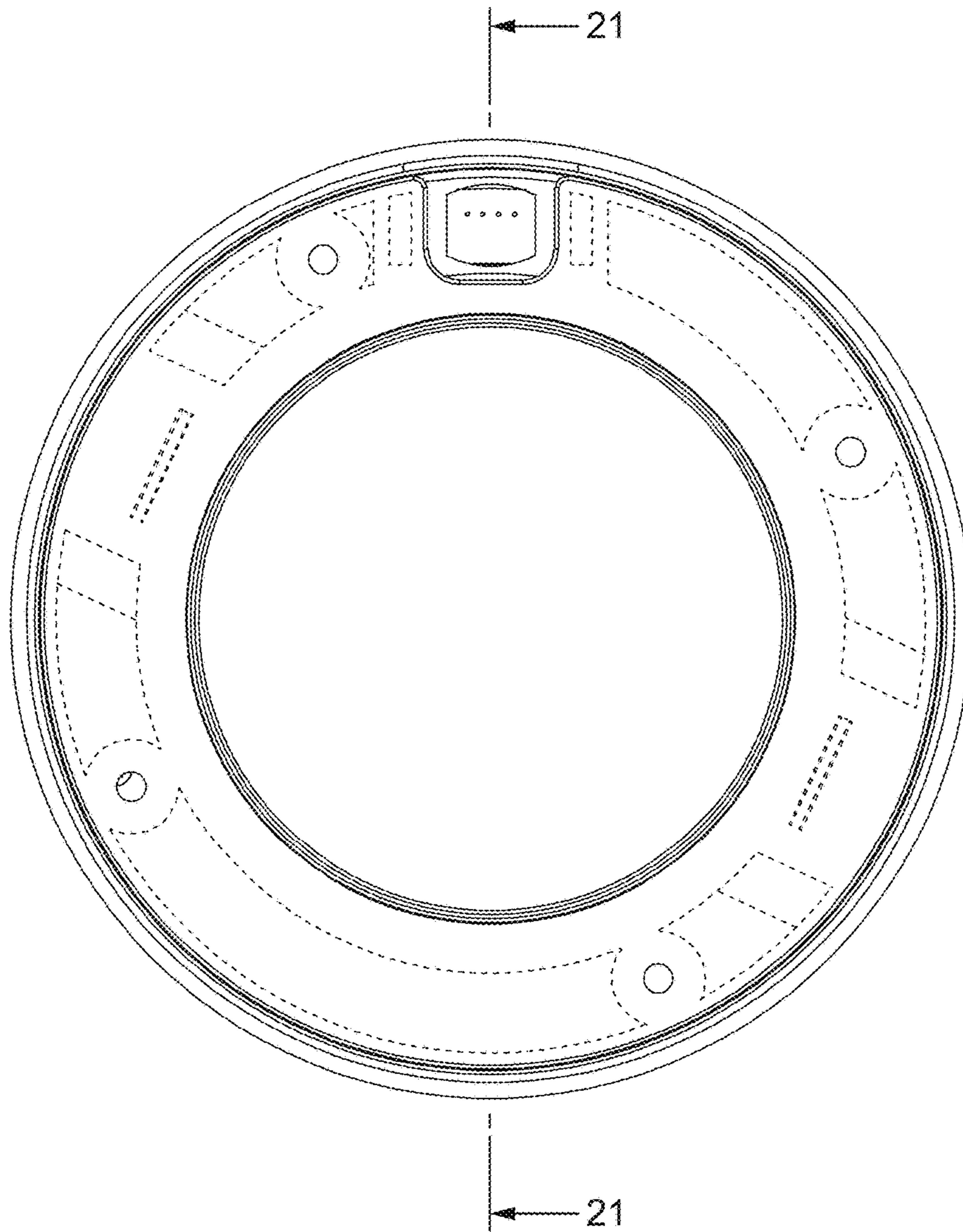


FIG. 12

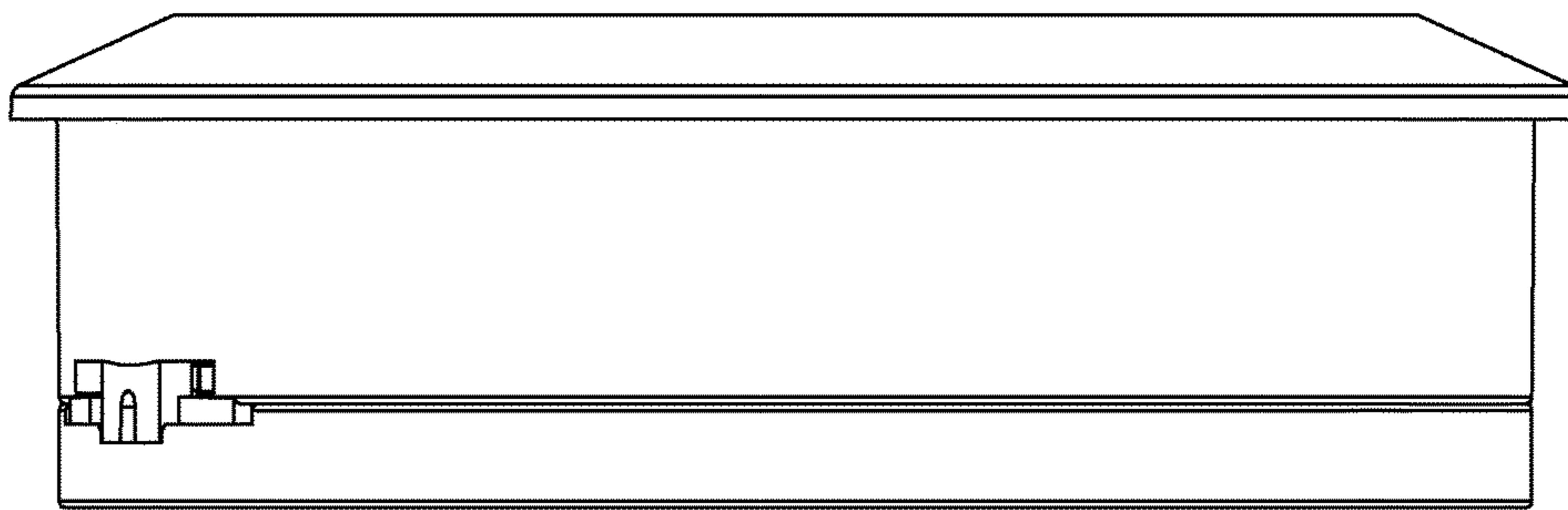


FIG. 13

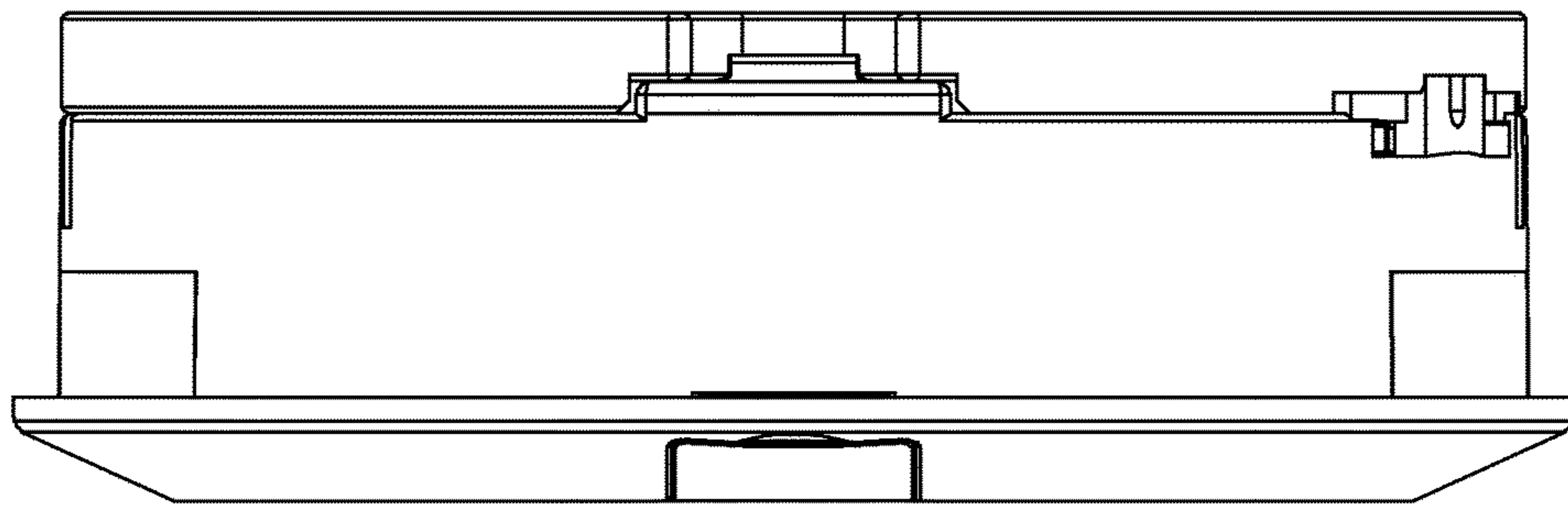


FIG. 14



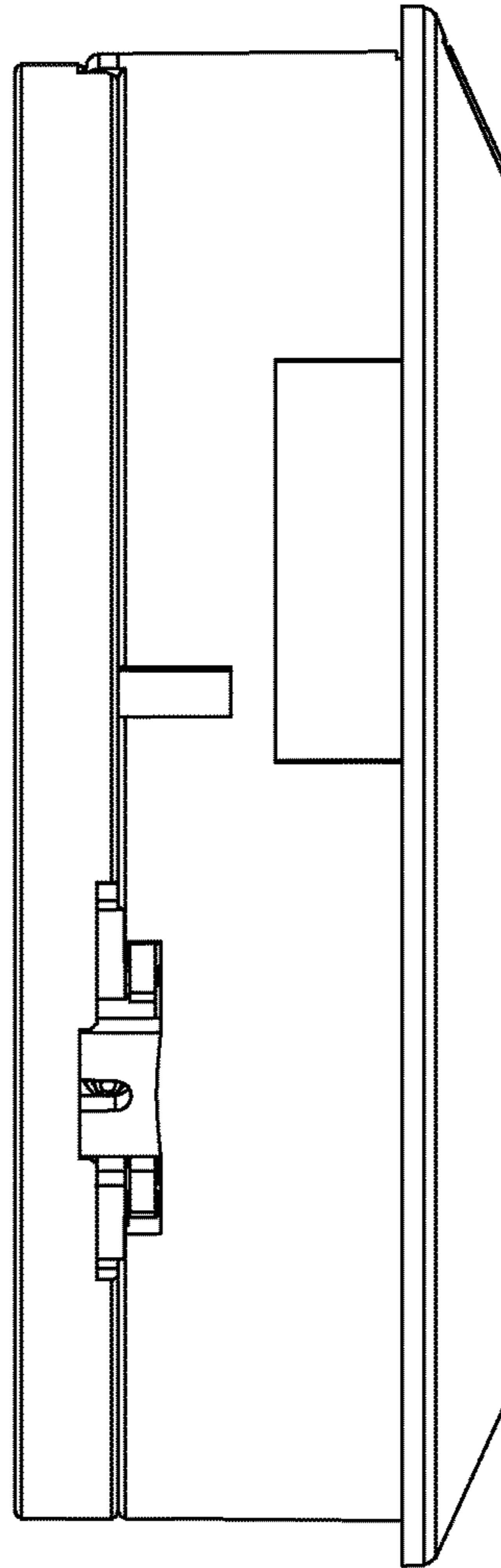


FIG. 15

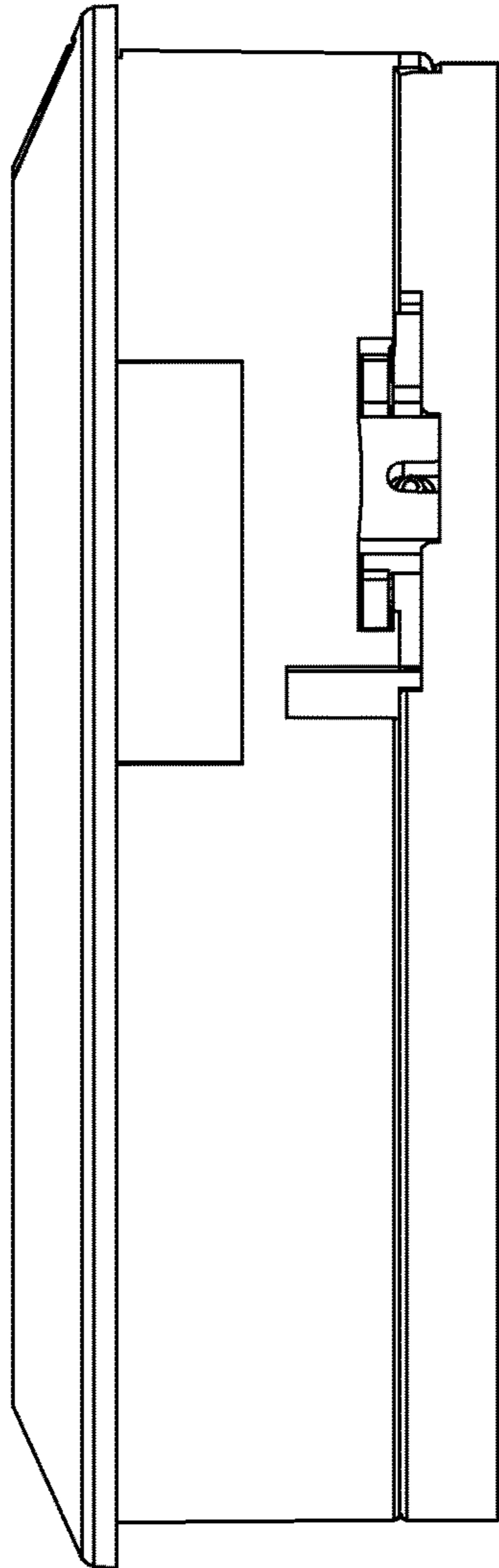


FIG. 16

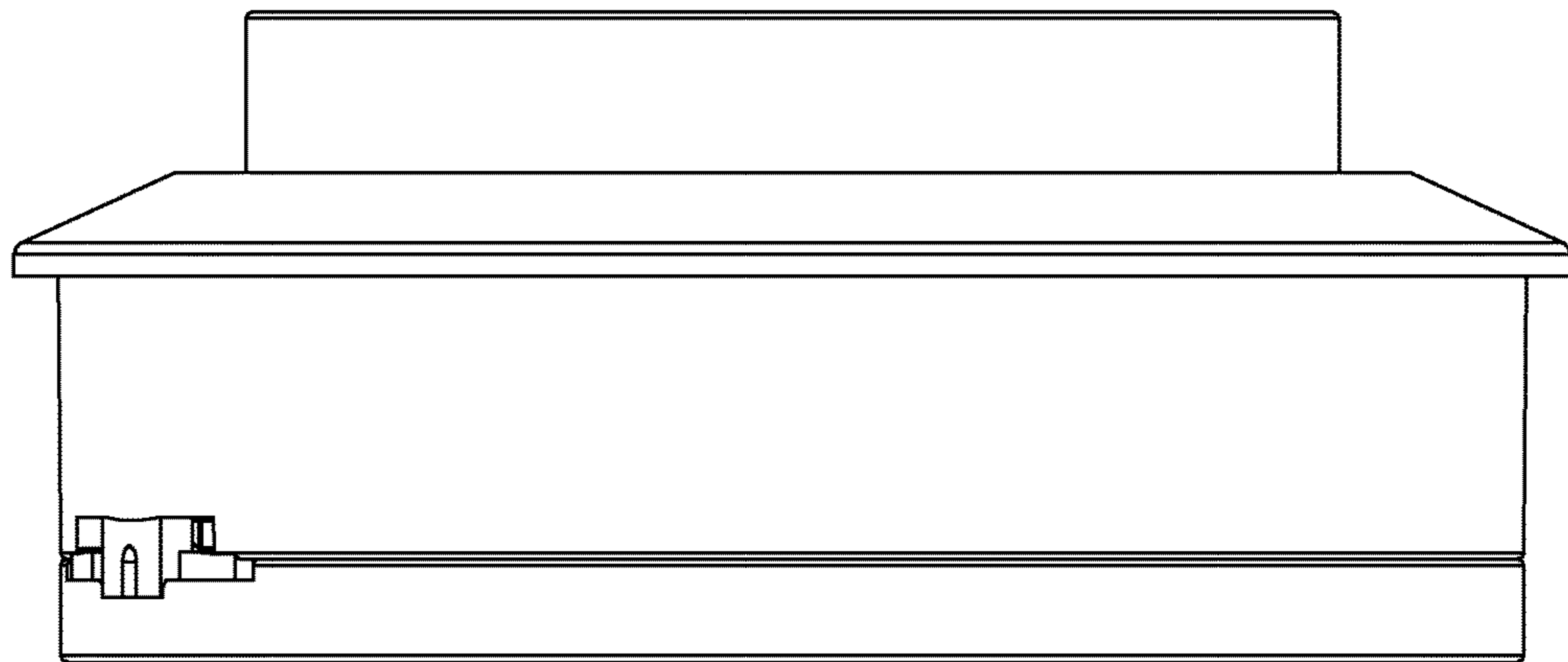


FIG. 17

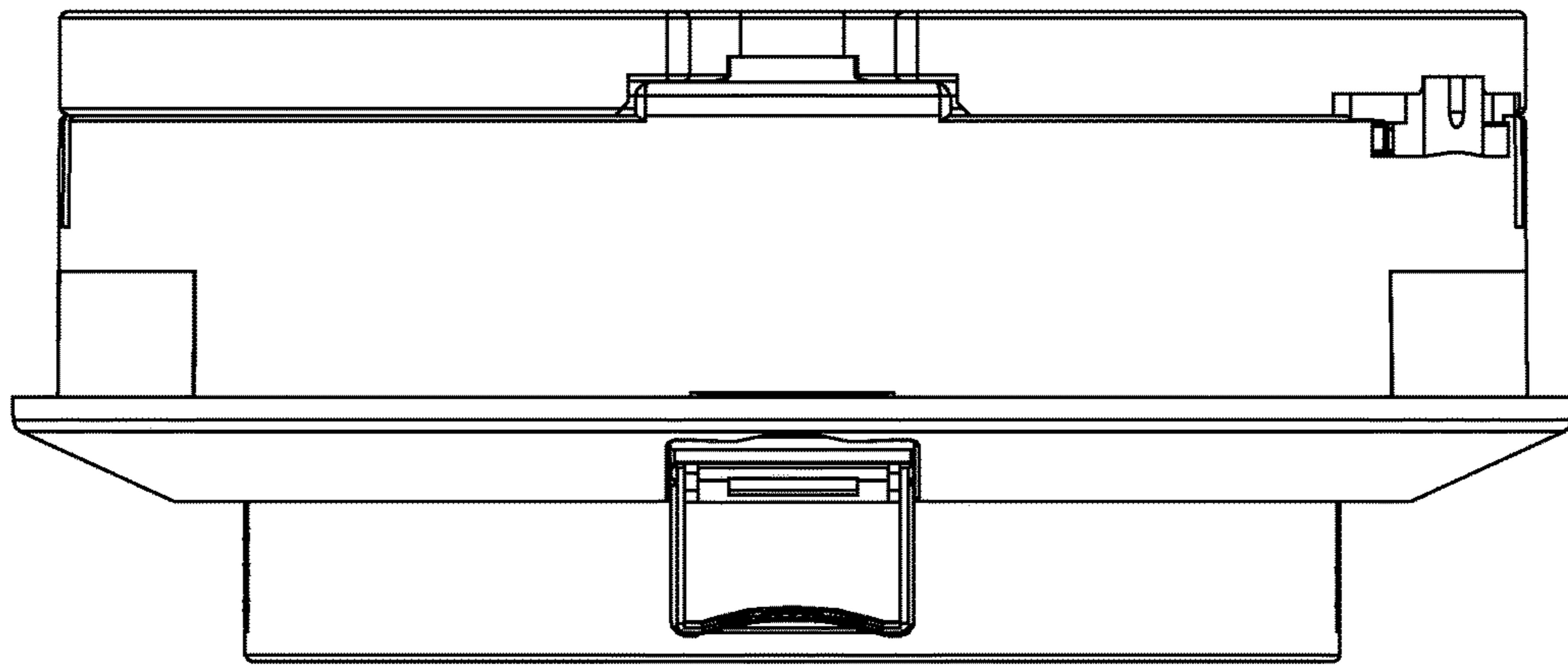


FIG. 18

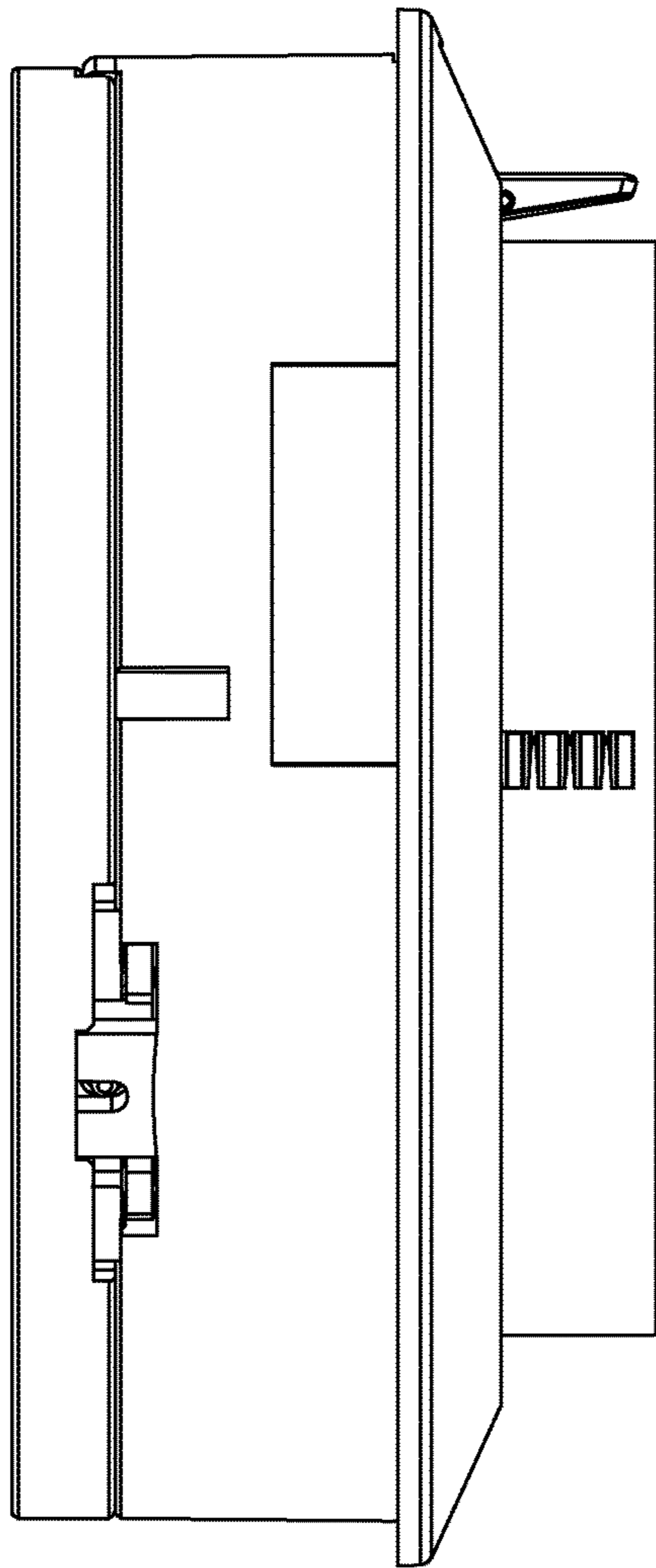


FIG. 19

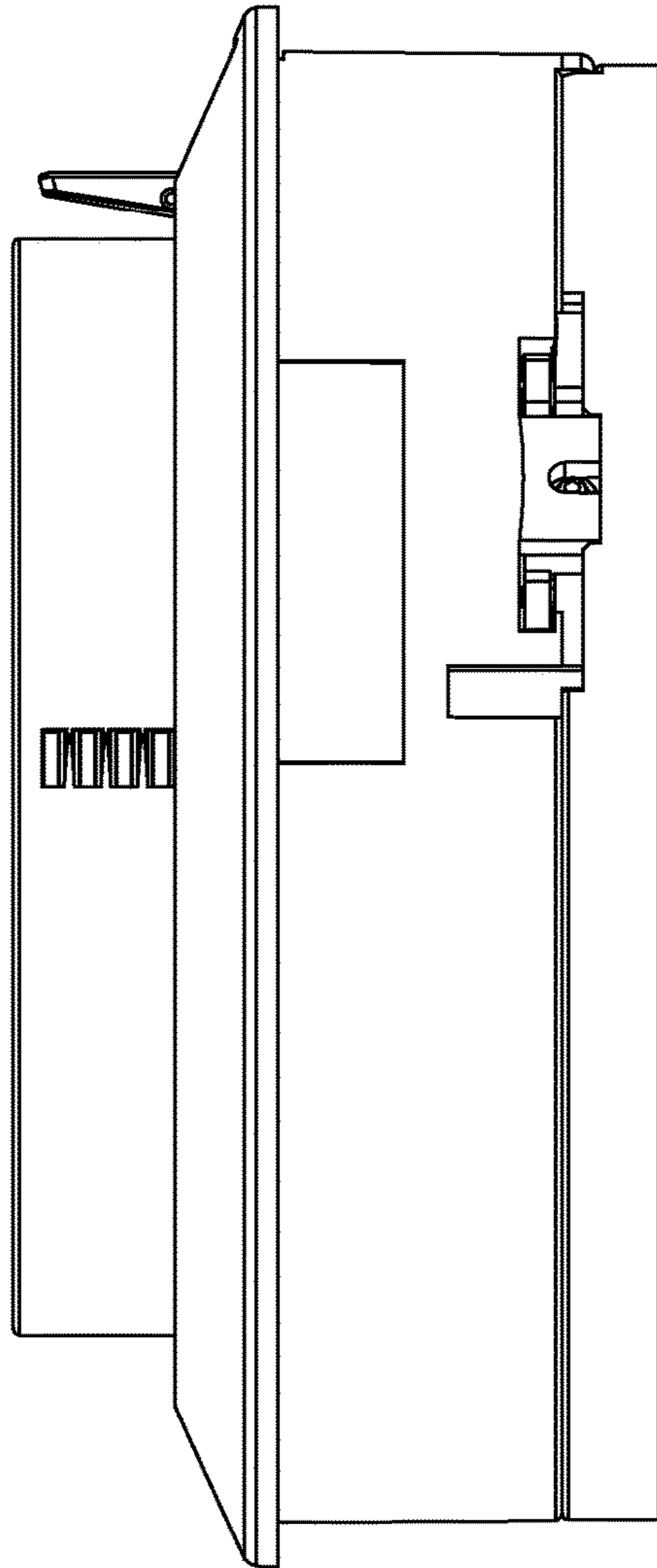


FIG. 20

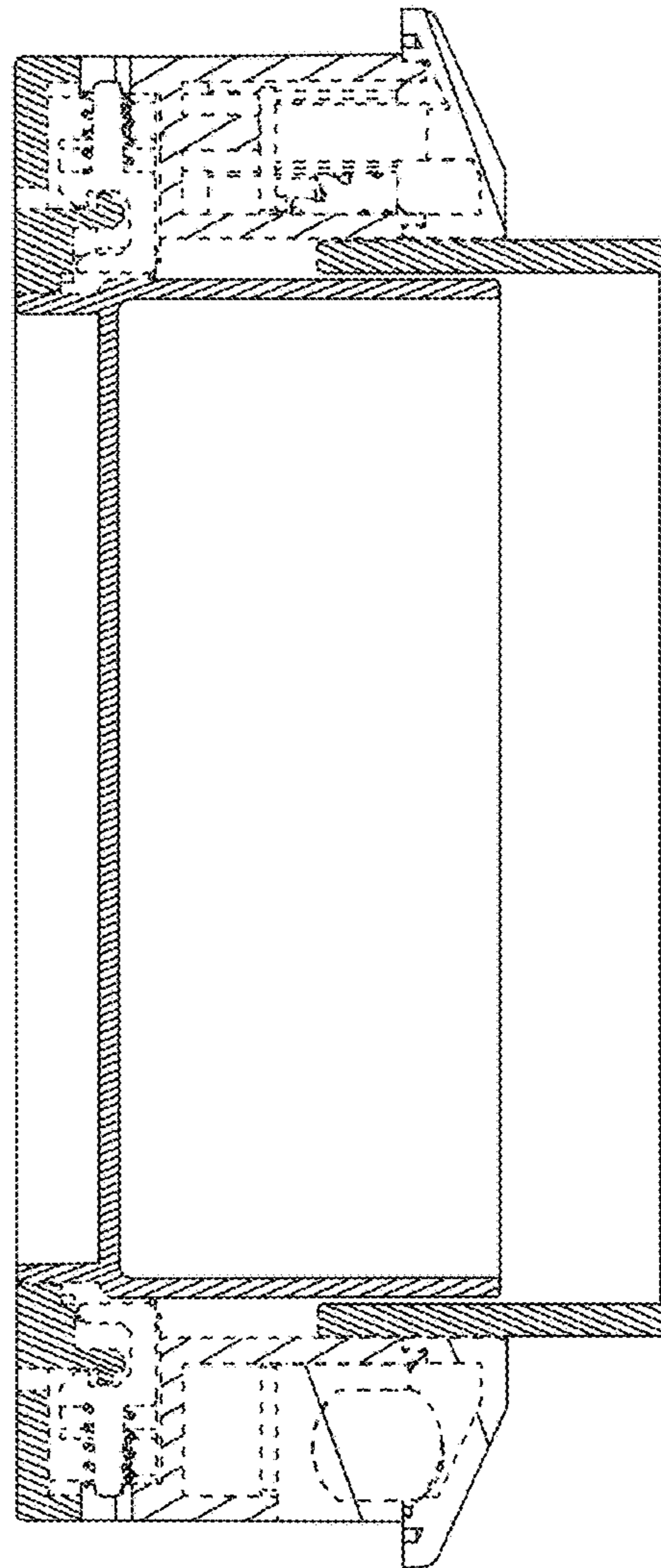


FIG. 21