



US00D868007S

(12) **United States Design Patent** (10) **Patent No.:** **US D868,007 S**
Felsch v. Wild et al. (45) **Date of Patent:** **** Nov. 26, 2019**

(54) **FOOT SWITCH**
(71) Applicant: **Karl Storz SE & Co. KG**, Tuttlingen (DE)
(72) Inventors: **Christian Felsch v. Wild**, Braunschweig (DE); **Matthias Oberländer**, Bad Oeynhausen (DE); **Ralf Twellmann**, Obernkirchen (DE); **Alexander Sabo**, Tuttlingen (DE)

D341,567 S 11/1993 Acker et al.
5,264,824 A 11/1993 Hour
D342,720 S 12/1993 Phleps et al.
D345,756 S * 4/1994 Clothier 84/312 P
5,422,521 A 6/1995 Neer et al.
5,423,231 A 6/1995 Helfrich et al.
(Continued)

(73) Assignee: **Karl Storz SE & Co. KG**, Tuttlingen (DE)

FOREIGN PATENT DOCUMENTS

DE 102004060240 A1 * 2/2006 H01H 3/14

(**) Term: **15 Years**

(21) Appl. No.: **29/600,907**

(22) Filed: **Apr. 17, 2017**

OTHER PUBLICATIONS

Steute Brochure; "Intuitive Bediensysteme Fur Die Medizintechnik/ Intuitive Operating Systems for Medical Equipment" Schallgeräte GmbH & Co. KG Brückenstraße 91 32584 Löhne, Deutschland/ Germany <http://www.steute.de/de/meditec.html> 2 pages.
(Continued)

(30) **Foreign Application Priority Data**

Oct. 18, 2016 (EM) 003422419-0001

Primary Examiner — Sheryl Lane
Assistant Examiner — Samantha N Wood
(74) *Attorney, Agent, or Firm* — Whitmyer IP Group LLC

(51) **LOC (12) Cl.** **13-03**

(52) **U.S. Cl.**
USPC **D13/167**

(57) **CLAIM**

The ornamental design for a foot switch, as shown and described.

(58) **Field of Classification Search**
USPC D17/22, 23, 99, 20, 21, 9; D13/167, 158, D13/171, 174; D15/4, 17, 72, 78, 69; D24/127, 133, 179
CPC G10C 3/00; G10C 3/26; G10K 11/172; G10K 2210/505; A61B 2017/00973; A61B 2017/00977; A61B 2018/0091
See application file for complete search history.

DESCRIPTION

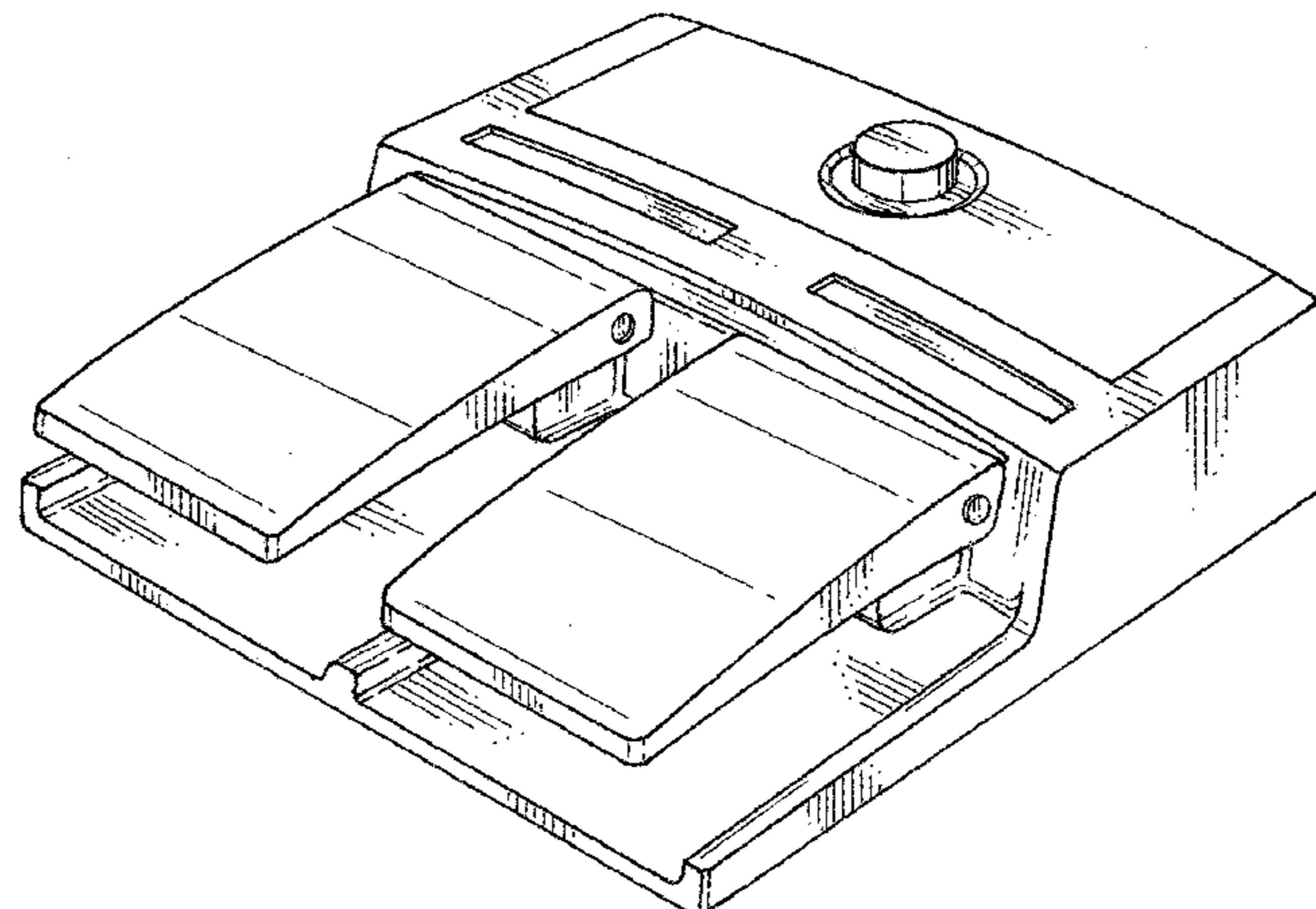
FIG. 1 is a front left side isometric view of a foot switch in accordance with the new design;
FIG. 2 is a left side elevational view thereof;
FIG. 3 is a right side elevational view thereof;
FIG. 4 is a front elevational view thereof;
FIG. 5 is a rear elevational view thereof;
FIG. 6 is a top plan view thereof; and,
FIG. 7 is a bottom plan view thereof.
The broken lines are included for the purpose of illustrating portions of the foot switch and form no part of the claimed design.

(56) **References Cited**

U.S. PATENT DOCUMENTS

D148,589 S * 2/1948 Stone D13/167
2,964,227 A 12/1960 Goldsholl
D248,375 S 7/1978 Bergstein
4,638,682 A 1/1987 Michiyama
D303,500 S 9/1989 Colla

1 Claim, 7 Drawing Sheets



(56)

References Cited

U.S. PATENT DOCUMENTS

D369,389	S	4/1996	Beyer	
5,635,777	A	6/1997	Telymonde et al.	
5,705,990	A	1/1998	Messier	
D391,923	S	3/1998	Tracey	
5,838,131	A	11/1998	Telymonde	
5,865,067	A	2/1999	Knapp	
5,996,440	A	12/1999	Nawata et al.	
D450,661	S	11/2001	Weisz et al.	
6,313,421	B1	11/2001	Abrahamsen	
D463,381	S	9/2002	Westermann	
D494,860	S	8/2004	Bacon	
7,012,203	B2	3/2006	Hanson et al.	
D520,553	S *	5/2006	Bogdan	D13/167
D557,602	S	12/2007	Terrasi	
D559,200	S *	1/2008	Schurg	D13/167
D589,460	S *	3/2009	Yang	D13/167
D592,157	S	5/2009	Shields et al.	
D713,529	S *	9/2014	Li	D13/167
D768,091	S *	10/2016	Lewis	D13/167
2012/0028218	A1	2/2012	Villette et al.	

OTHER PUBLICATIONS

Variohbm Eurosensor—6225 Fußschalter Brochure; “Für IPX2 ein & zwei-polig schaltbar UL Zulassung / IEC 60601”; Hans-Bunte-Straße 8—D-69123-Heidelberg-Germany Published: Jul. 2016 sensor@variohm.de; www.variohm.de; 2 pages.

Bernstein Brochure; “Checkliste Fußschalter für die Medizintechnik MF1-4” Published: Feb. 2013 2 pages.

Bernstein Brochure; “Foot-Operated Switches for Medical Applications” <http://www.bernstein-ag.de/cms/site/en/products/switches/foot-operated-switches-for-medical-applications/>; Sep. 2009; 14 pages.

* cited by examiner

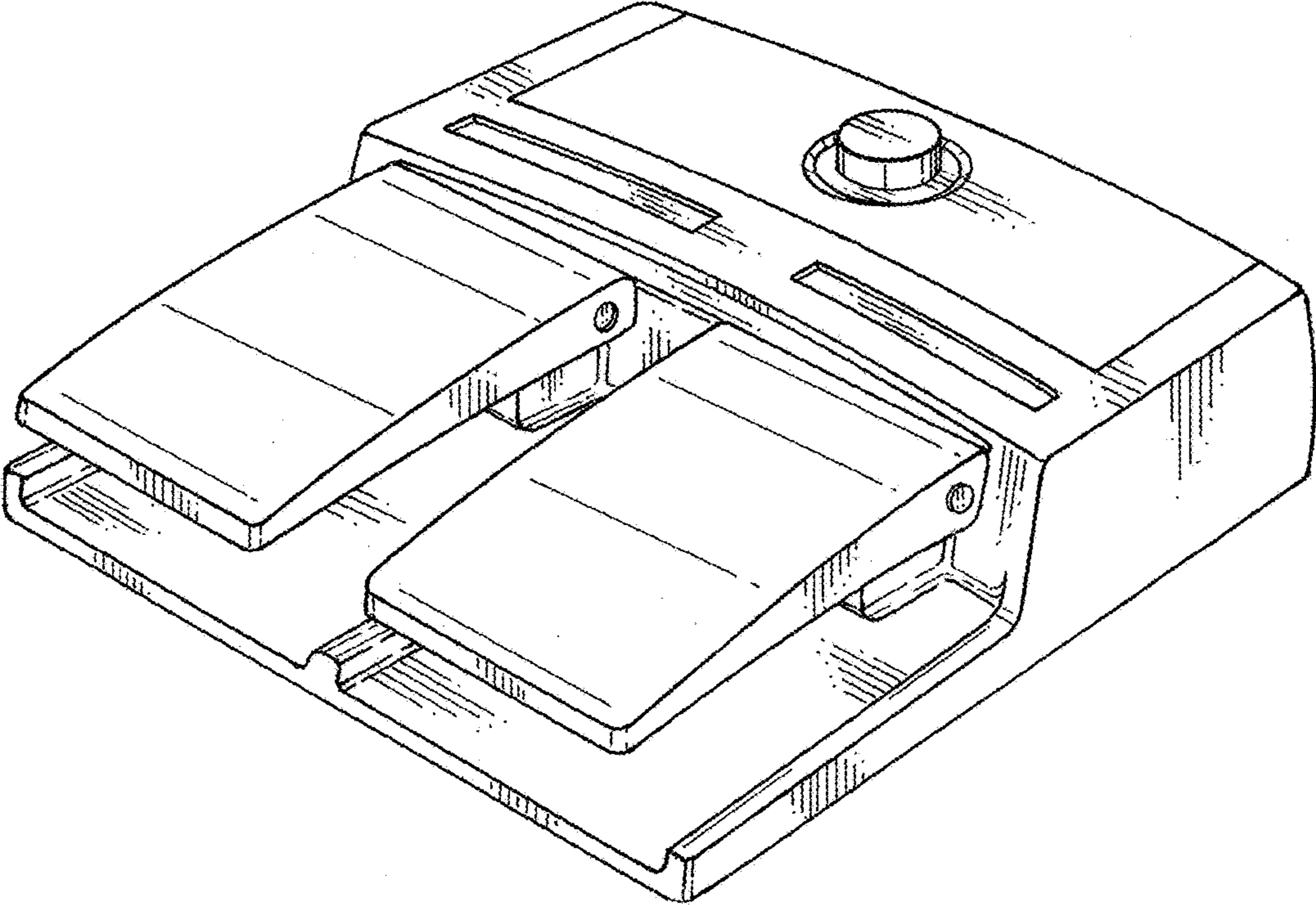


FIG. 1

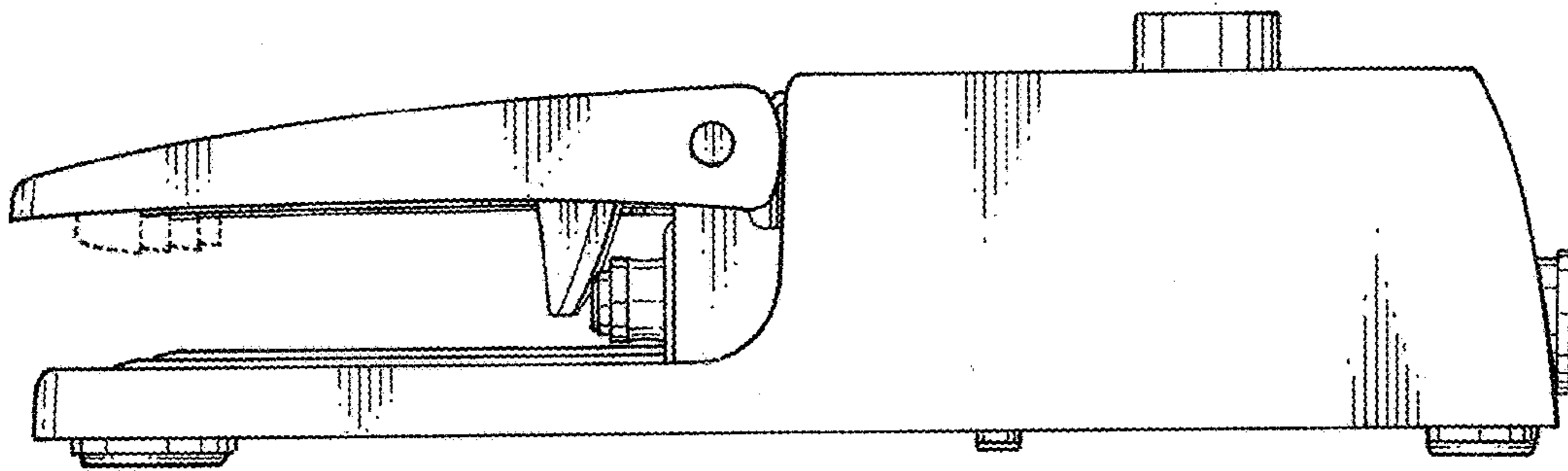


FIG. 2

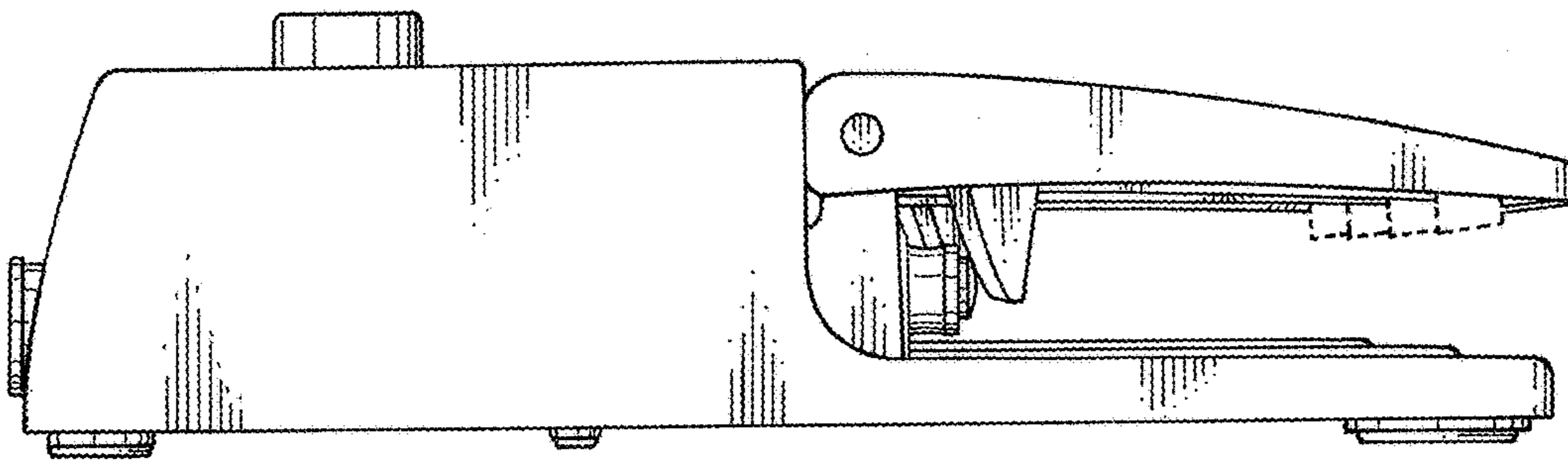


FIG. 3

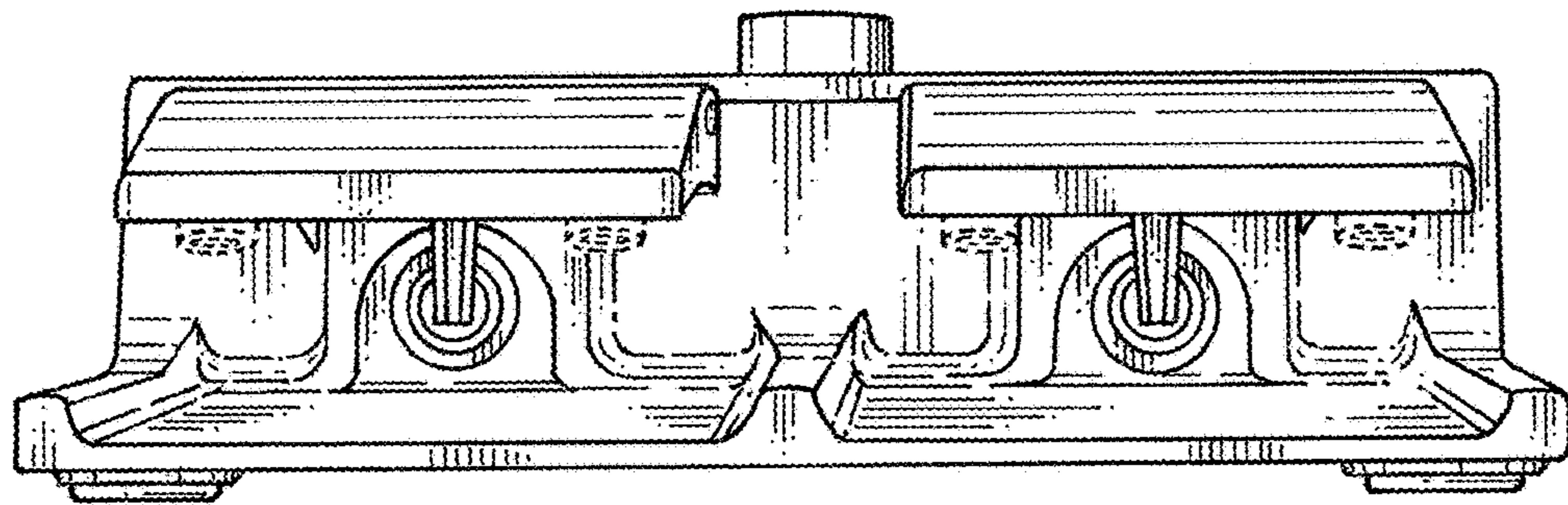


FIG. 4

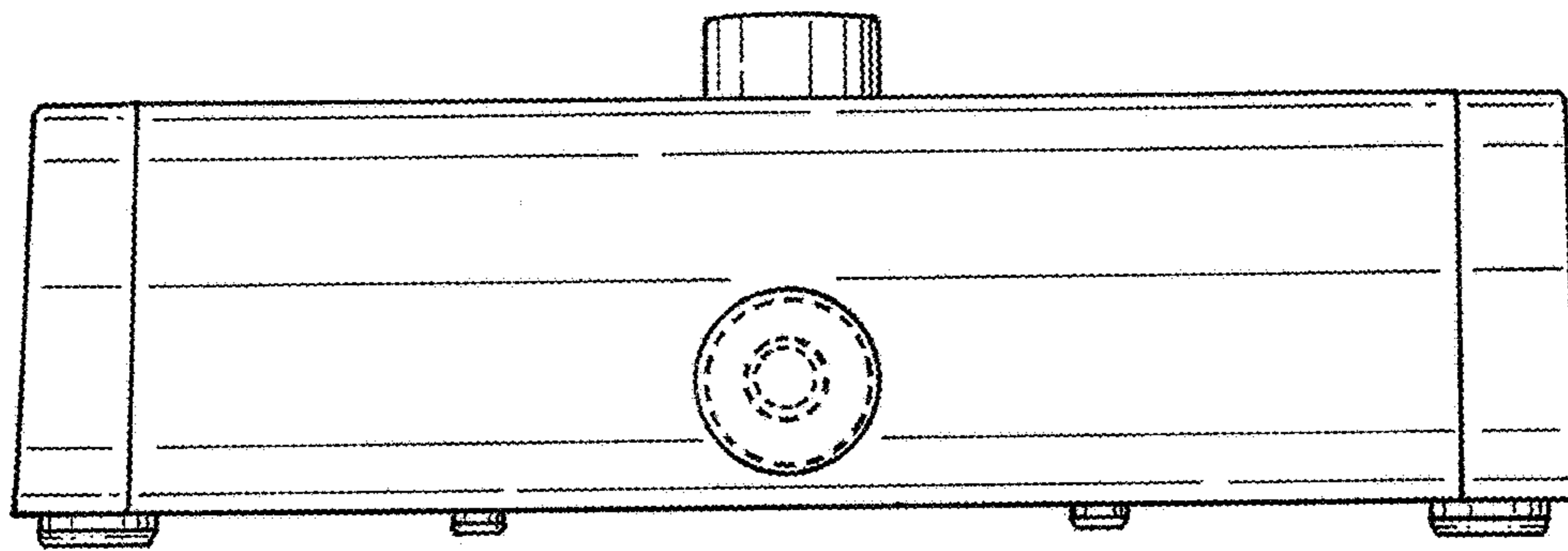


FIG. 5

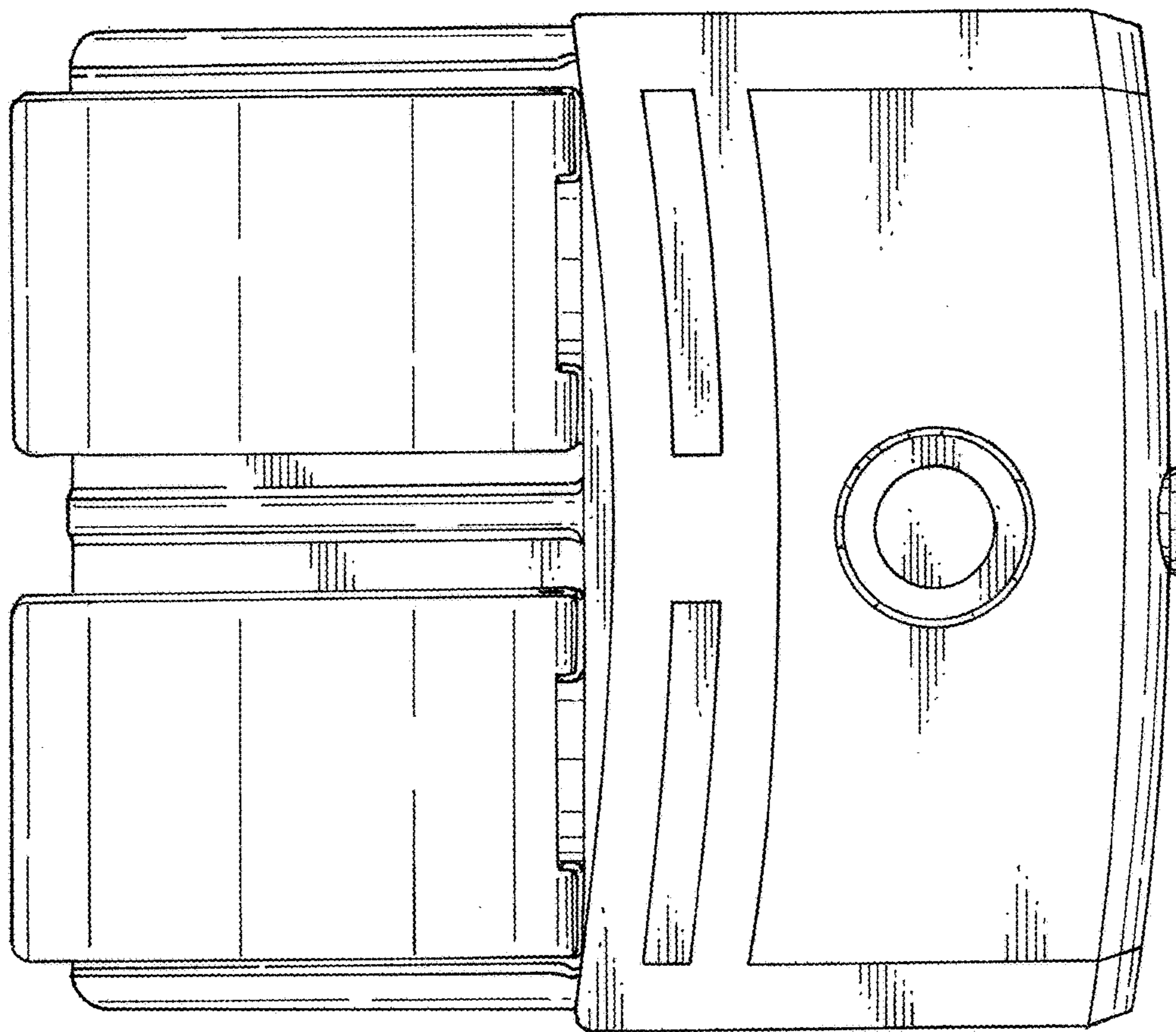


FIG. 6

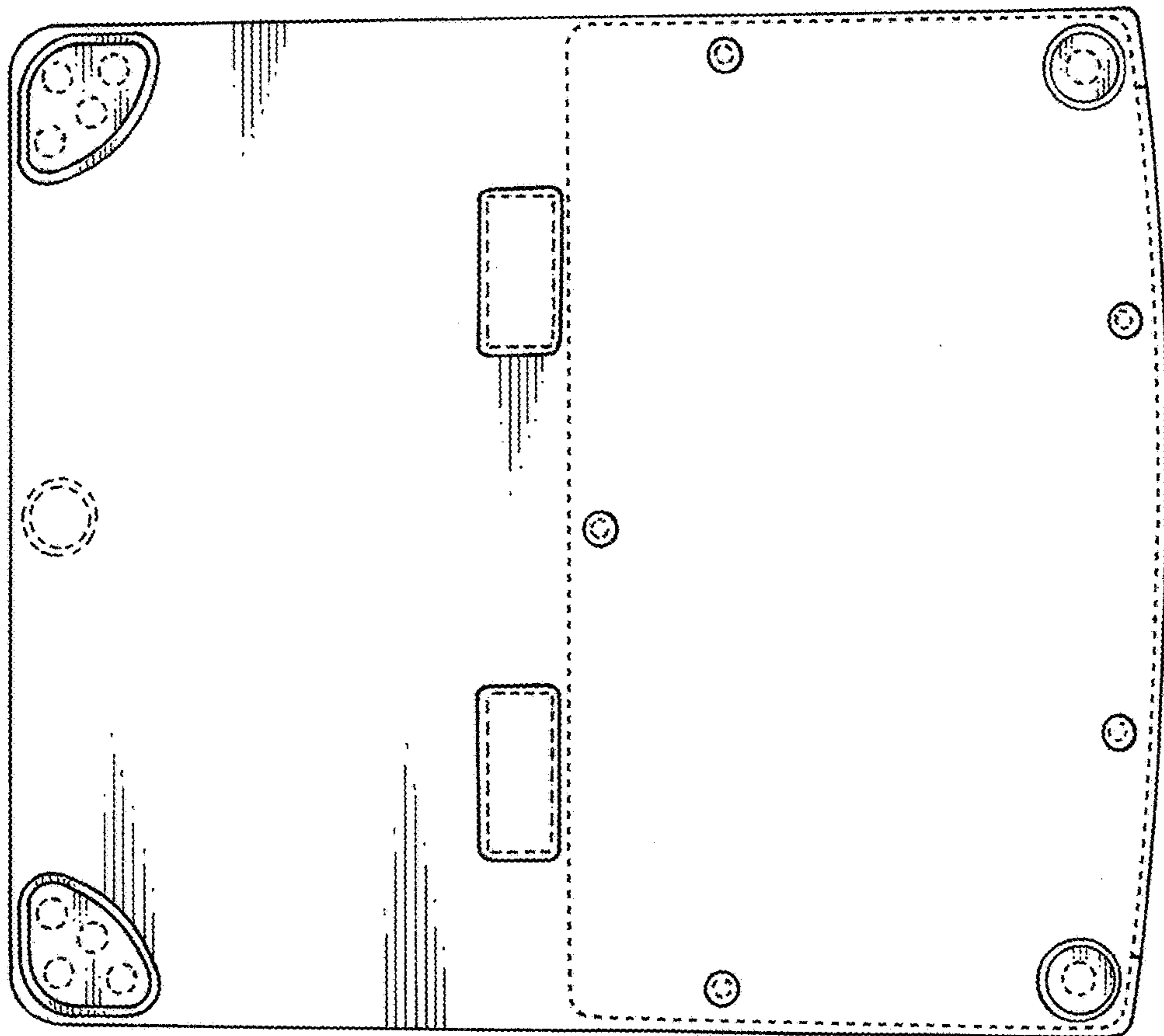


FIG. 7