



US00D868006S

(12) **United States Design Patent**
Ueda et al.

(10) **Patent No.:** **US D868,006 S**
(45) **Date of Patent:** **** *Nov. 26, 2019**

(54) **PROGRAMMABLE CONTROLLER WITH SAFETY CONTROLLER**

9,699,930 B2 * 7/2017 Miura H05K 7/1474
D815,606 S * 4/2018 Nada D13/162.1
10,194,553 B1 * 1/2019 Chakraborty H01R 13/6272

(71) Applicant: **OMRON Corporation**, Kyoto-shi, Kyoto (JP)

(Continued)

(72) Inventors: **Hiroaki Ueda**, Otsu (JP); **Sadahito Otsu**, Kusatsu (JP); **Yoshimi Azuma**, Moriyama (JP); **Heita Nada**, Ritto (JP)

(73) Assignee: **OMRON Corporation**, Kyoto (JP)

(*) Notice: This patent is subject to a terminal disclaimer.

(**) Term: **15 Years**

(21) Appl. No.: **29/645,795**

(22) Filed: **Apr. 30, 2018**

(30) **Foreign Application Priority Data**

Nov. 24, 2017 (JP) 2017-026206

(51) **LOC (12) Cl.** **13-03**

(52) **U.S. Cl.**
USPC **D13/162.1**

(58) **Field of Classification Search**

USPC D13/123, 162, 162.1, 184
CPC G05B 9/02; G05B 19/05; G05B 19/054;
G05B 19/056; G06F 1/182; G06F 1/183;
H05K 7/1462; H05K 7/1467; H05K 7/1474

See application file for complete search history.

(56) **References Cited**

U.S. PATENT DOCUMENTS

D307,263 S * 4/1990 Ishida D13/162.1
D309,446 S * 7/1990 Russell D13/162.1
D325,900 S * 5/1992 Shimizu D13/162.1
D482,663 S * 11/2003 Droulin D13/162.1
D527,349 S * 8/2006 Lee D13/162.1
D559,205 S * 1/2008 Takahashi D13/162.1
D770,975 S * 11/2016 Nada D13/110

OTHER PUBLICATIONS

NPL 1: google image; GE Automation RX3i PLC, prior to Apr. 30, 2017, 1 pg.; https://www.google.com/search?hl=en&biw=1536&bih=813&tbs=cdr%3A1%2Ccd_max%3A4%2F30%2F2017&tbm=isch&sa=1&ei=1QO2XPrPNpDI_Qb5npSQBg&q=programmable+automation+controller&oq=automation+controller&gs_l=img.1.1.0j0i5i3014.201431.217966..221246...2.0.*

(Continued)

Primary Examiner — Selina Sikder

(74) *Attorney, Agent, or Firm* — Capitol City TechLaw

(57) **CLAIM**

The ornamental design for a programmable controller with safety controller, as shown and described.

DESCRIPTION

FIG. 1 is a top, front, and right side perspective view of a programmable controller with safety controller showing our new design;

FIG. 2 is a front view thereof;

FIG. 3 is a left side view thereof;

FIG. 4 is a right side view thereof;

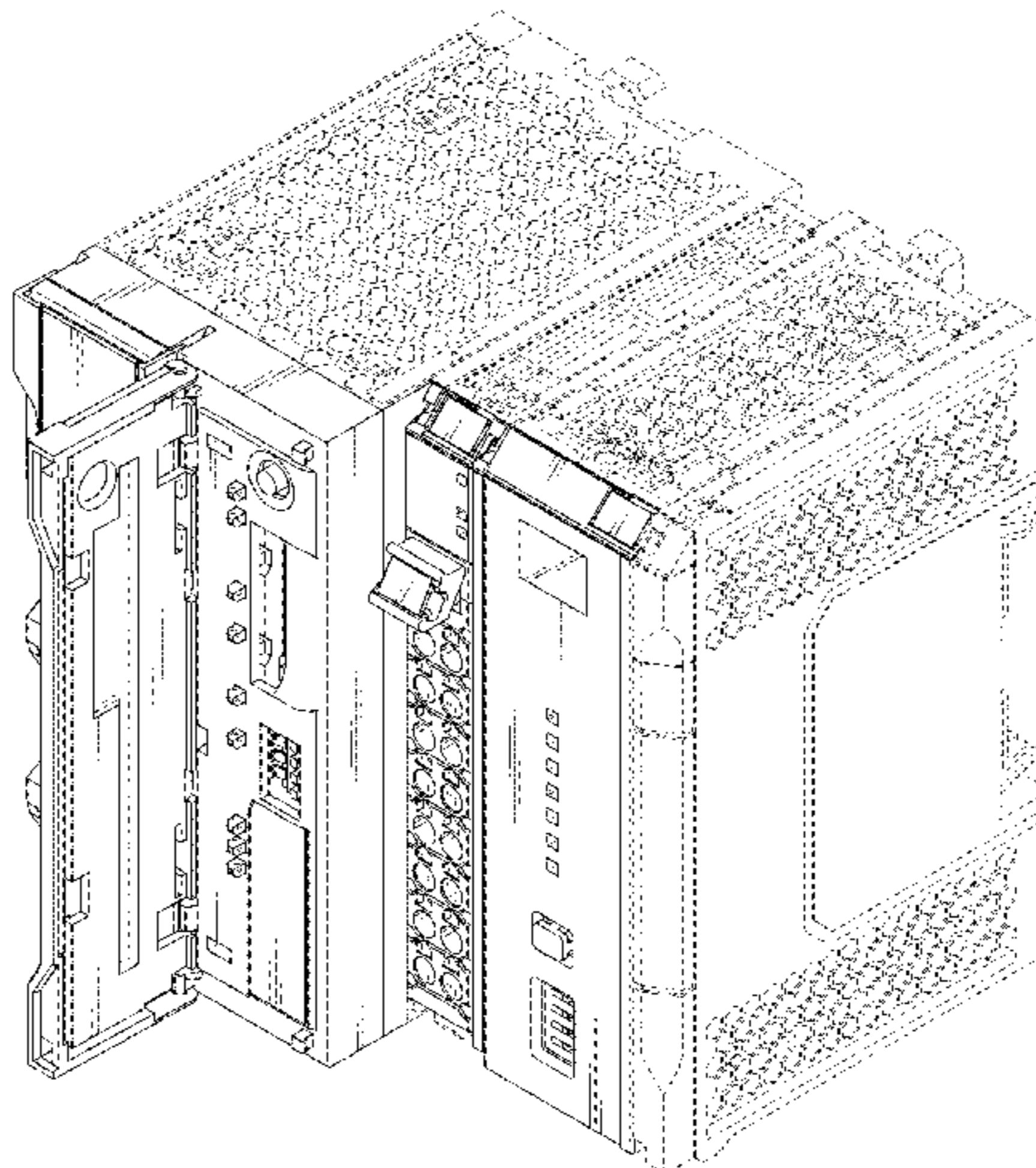
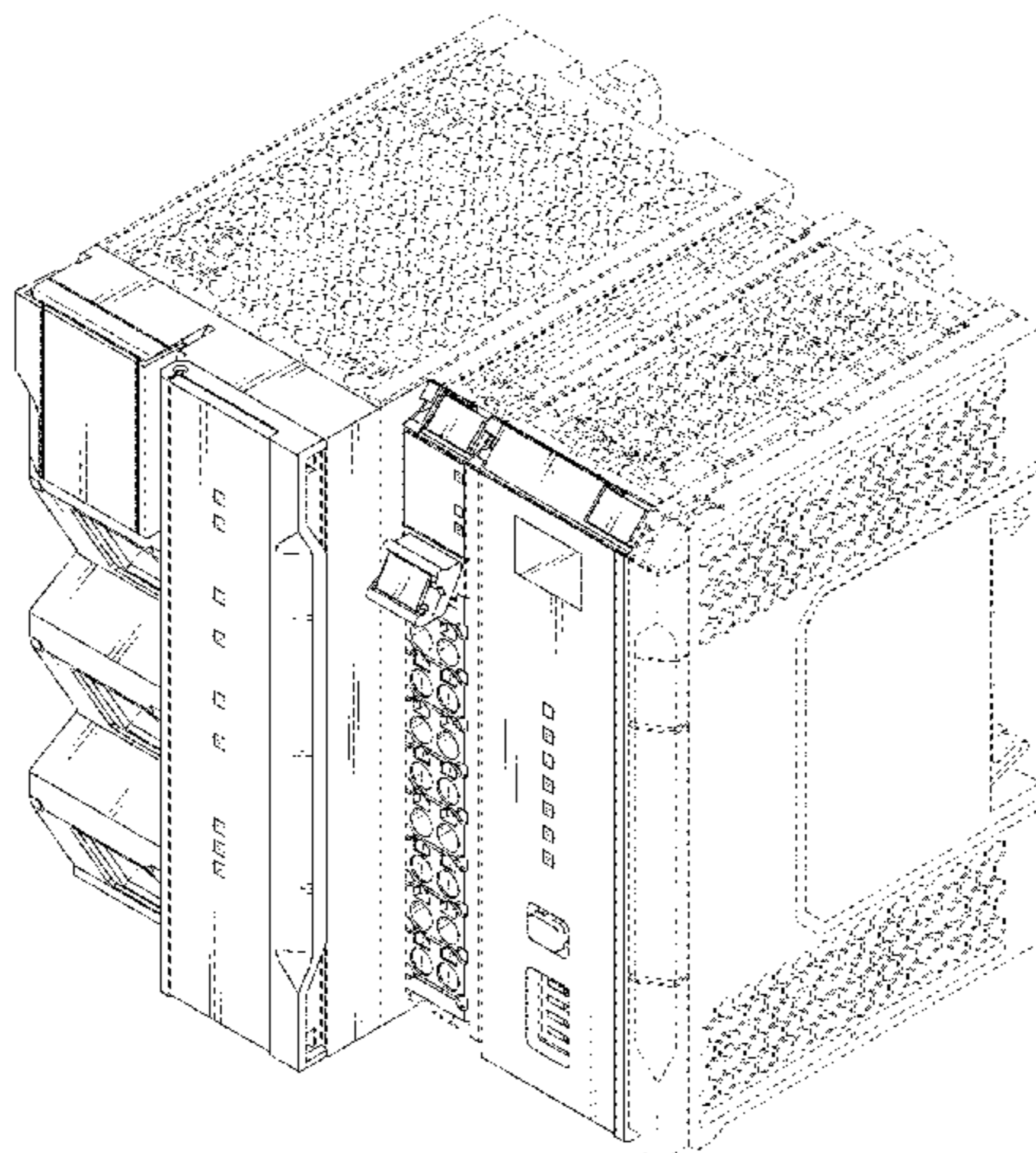
FIG. 5 is a top view thereof;

FIG. 6 is a bottom view thereof; and,

FIG. 7 is a top, front, and right side perspective view in an opened condition.

The dashed broken lines in the figures show portions of the programmable controller with safety controller that form no part of the claimed design. The dot-dashed broken lines in FIGS. 1 and 7 show boundary that forms no part of the claimed design. The boundary extends from a bottom surface to an inside corner at the intersection between the right side of main body of programmable controller and the circular terminals.

1 Claim, 5 Drawing Sheets



(56)

References Cited

U.S. PATENT DOCUMENTS

2007/0073912 A1* 3/2007 Ozaki G05B 19/054
710/8
2016/0170922 A1* 6/2016 Rose G05B 19/054
710/305
2016/0205801 A1* 7/2016 Miura H05K 7/1474
361/679.01
2017/0244197 A1* 8/2017 Takahashi H01R 13/514
2018/0098453 A1* 4/2018 Ueda H01R 13/2492
2018/0132382 A1* 5/2018 Baran F04D 25/0613

OTHER PUBLICATIONS

NPL 2: google image; 5 levels of programmable logic controller, prior to Apr. 30, 2017., 1 pg.; https://www.google.com/search?hl=en&biw=1536&bih=813&tbs=cdr%3A1%2Ccd_max%3A5%2F24%2F2017&tbm=isch&sa=1&ei=8Ae2XN7oAYOc_QbMp6WwBQ&q=programmable+logic+controller&oq=pr&gs_l=img.1.1.0i6713j017.9500.9974..14654..0.0..0.55.*

NPL 3: google image; CompactLogix 5370 L3 Programmable Automation Controller, prior to Apr. 30, 2017; 1pg. https://www.google.com/search?hl=en&biw=1536&bih=813&tbs=cdr%3A1%2Ccd_max%3A5%2F24%2F2017&tbm=isch&sa=1&ei=Zwq2XLqLNMm7ggfGjLLIBw&q=programmable+automation+controller&oq=programmable+automation+controller&gs_l=img.*

NPL 4: google image, VIPA Programmable Logic Controller, prior to Apr. 30, 2018; 1 pg.; https://www.google.com/search?hl=en&biw=1536&bih=813&tbs=cdr%3A1%2Ccd_max%3A4%2F30%2F2018&tbm=isch&sa=1&ei=gA22XK0tDouzggfW_5_wBQ&q=programmable+logic+controller&oq=programmable+&gs_l=img.1.1.0i67j016j0i67j012.182237.211965..216634.*

Hiroaki Ueda et al., Safety Controller With Gateway, Design U.S. Appl. No. 29/645,784, filed Apr. 30, 2018.

* cited by examiner

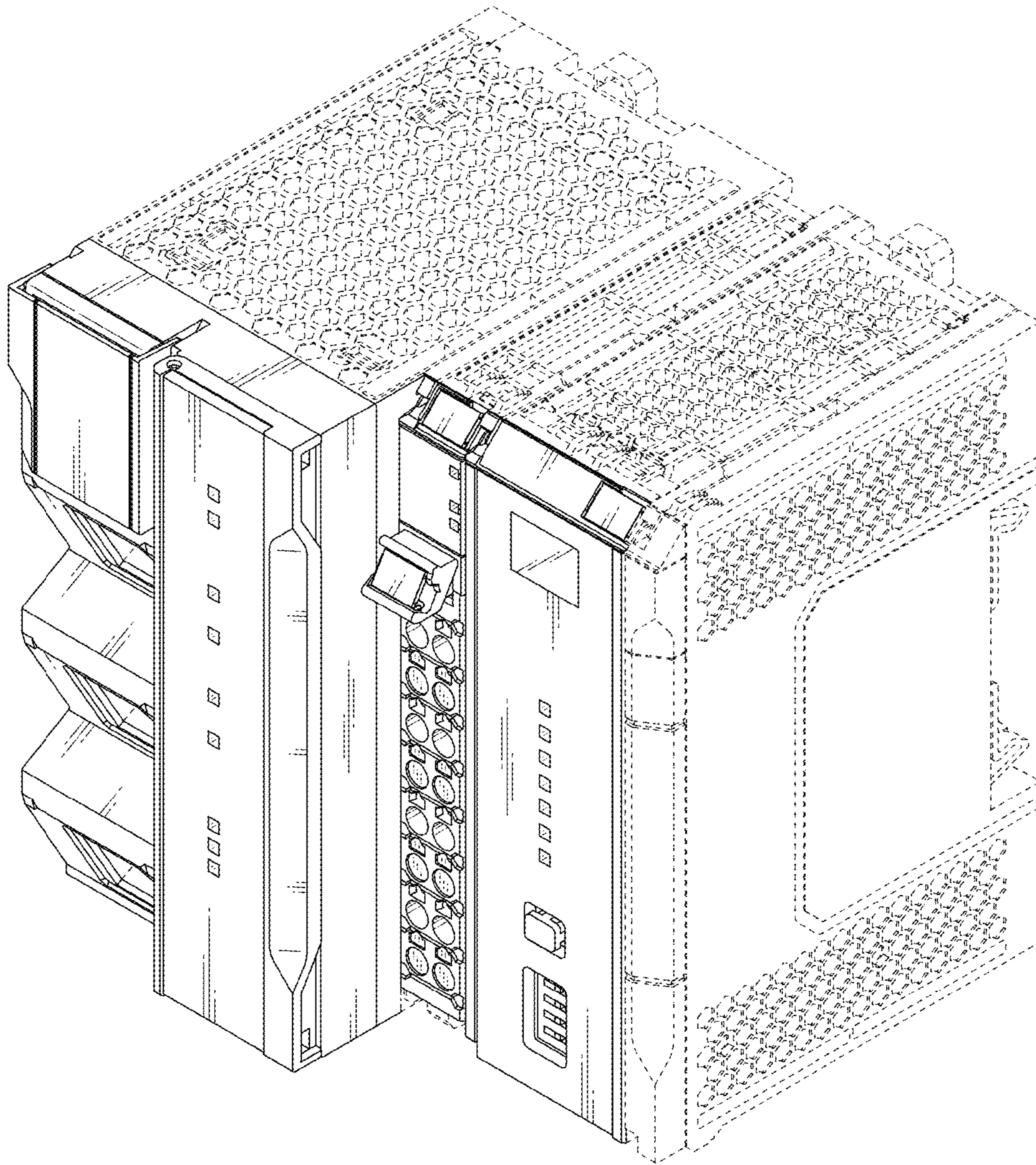


FIG. 1

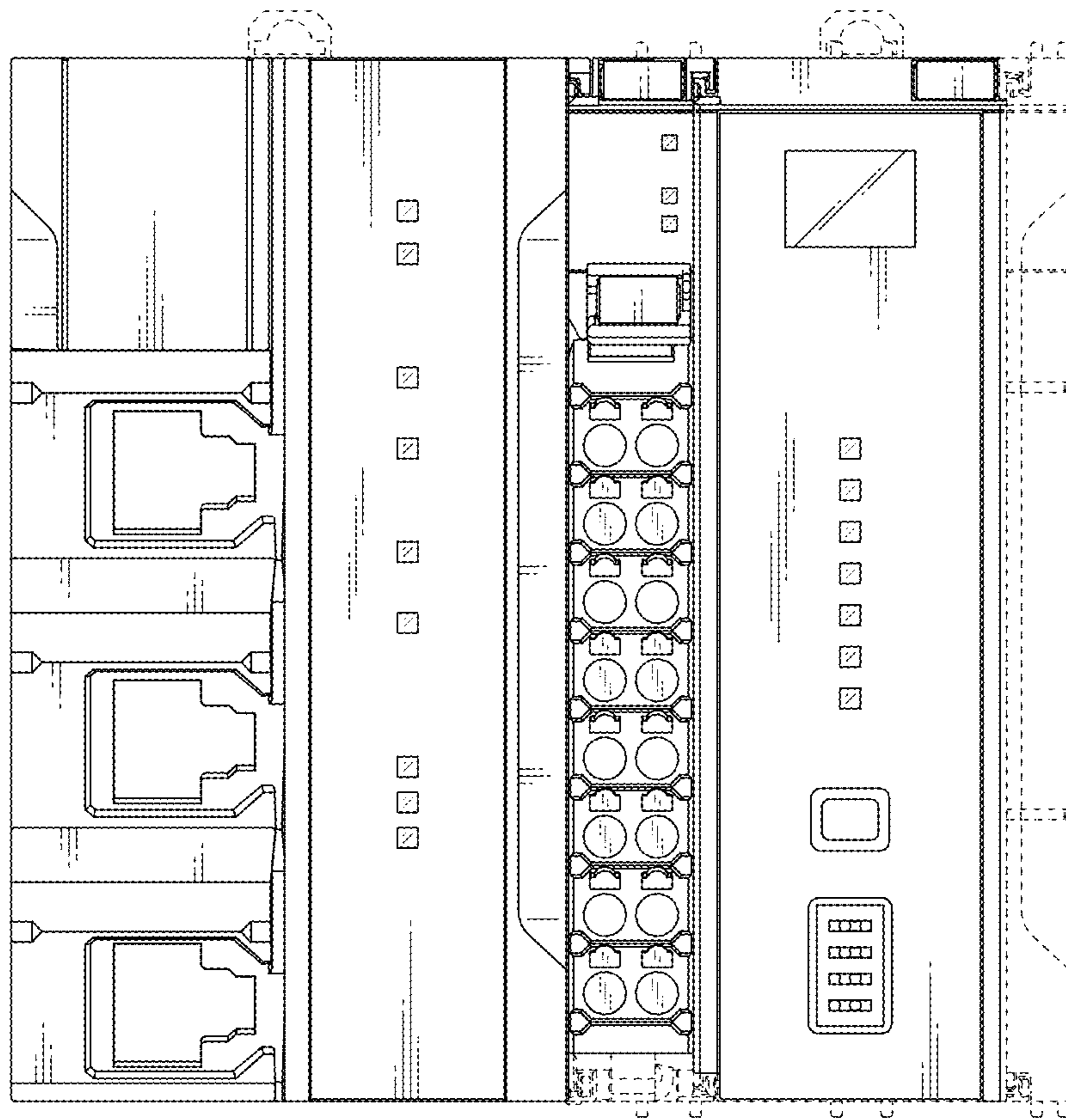


FIG. 2

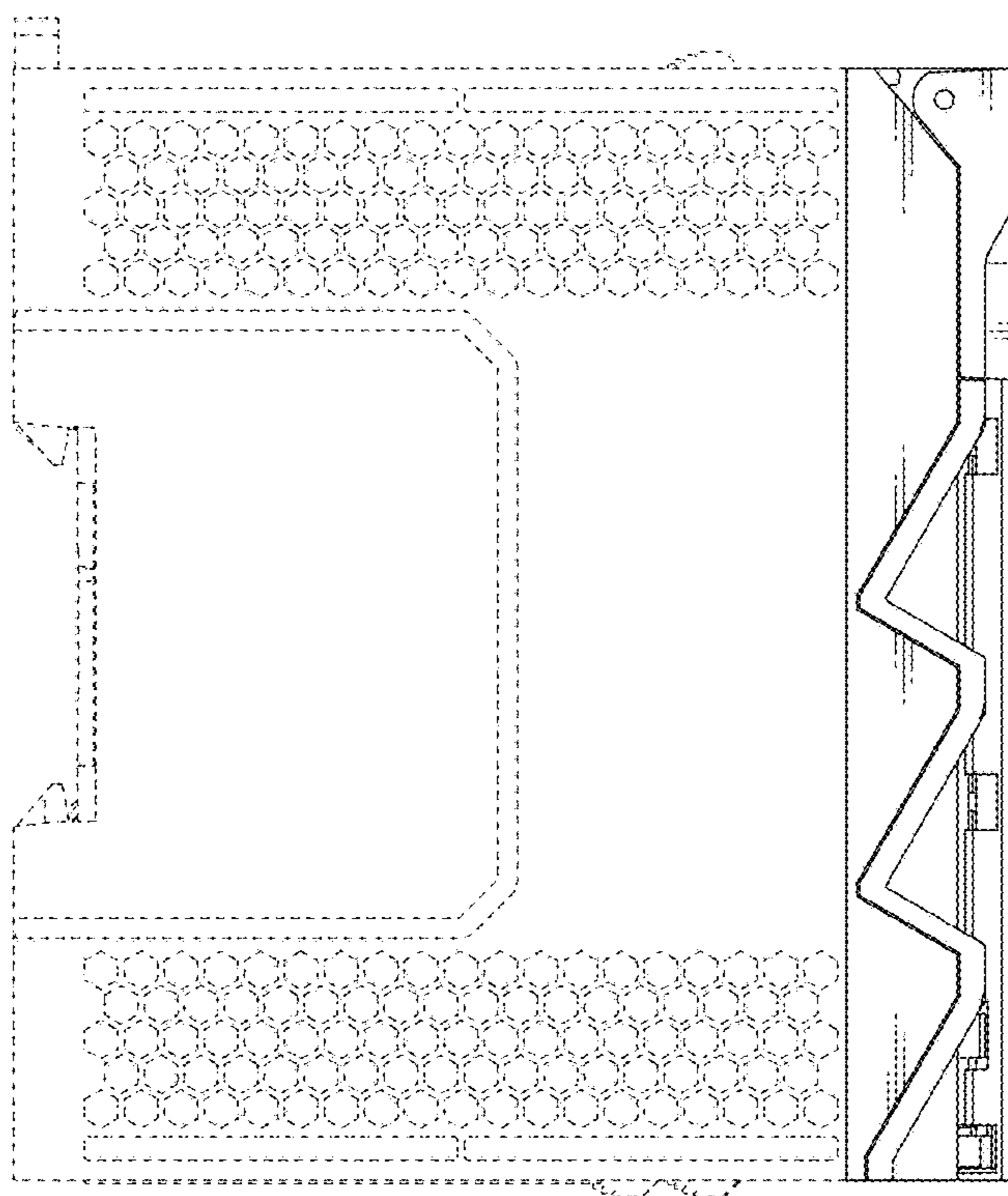


FIG. 3

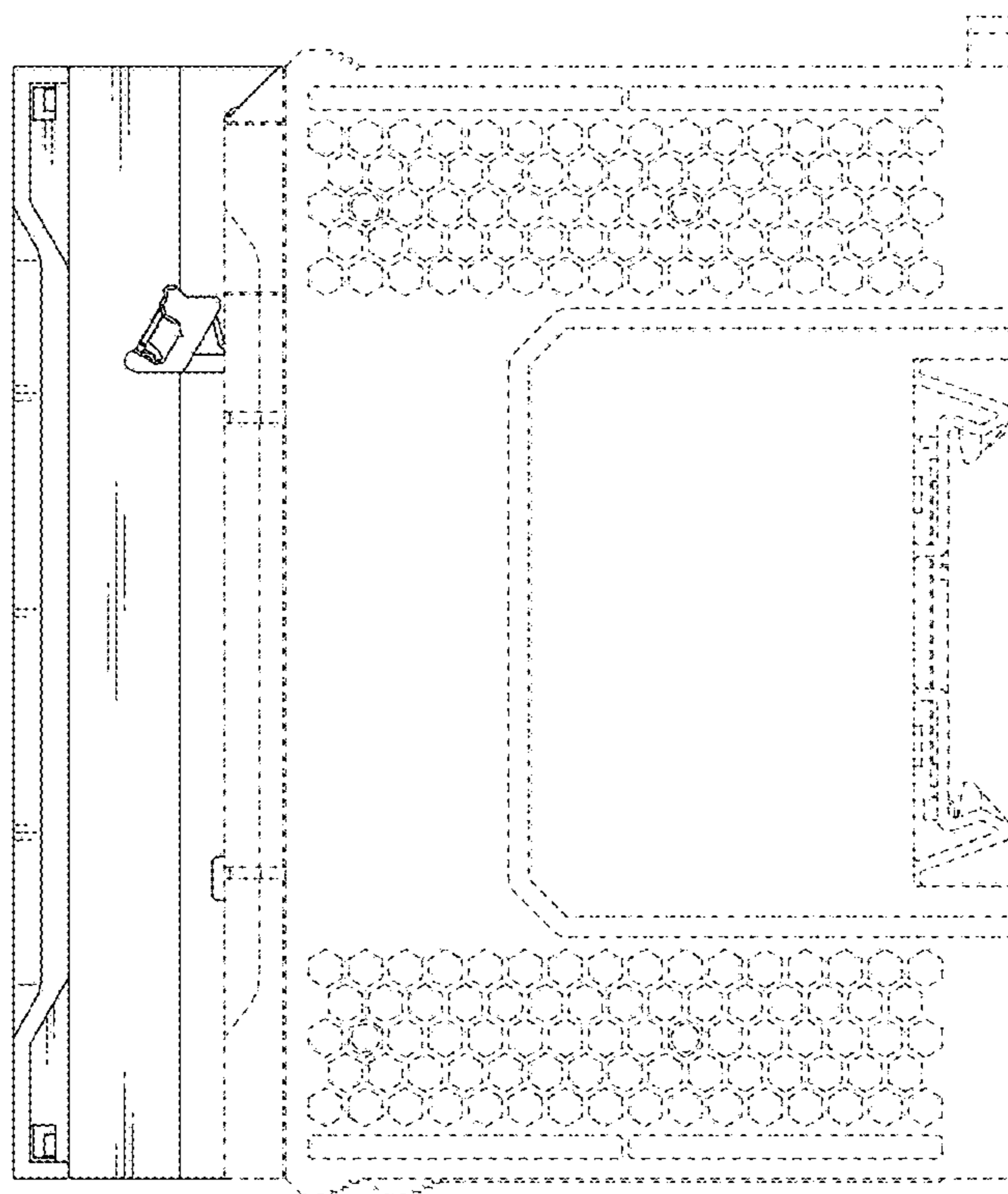


FIG. 4

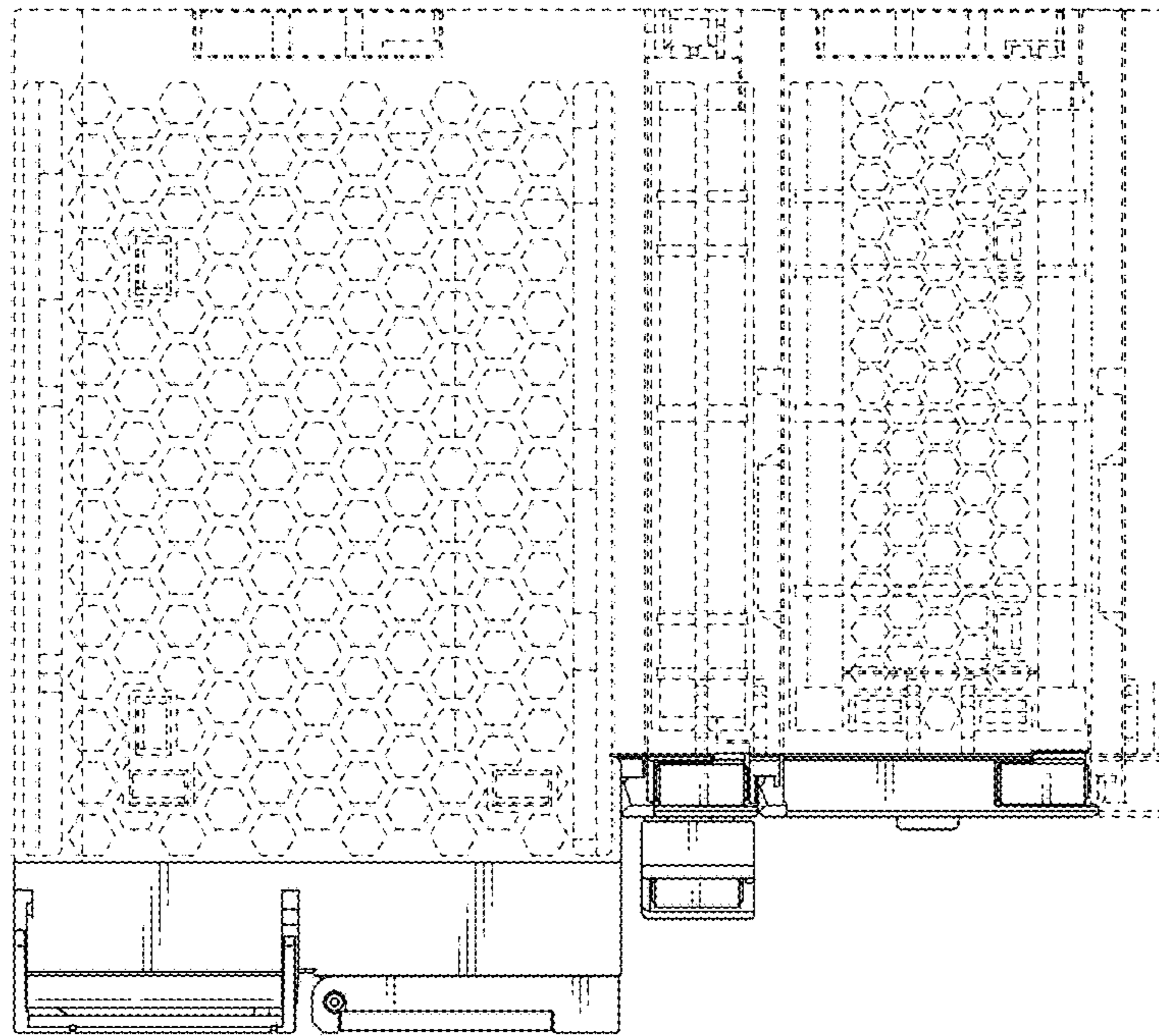


FIG. 5

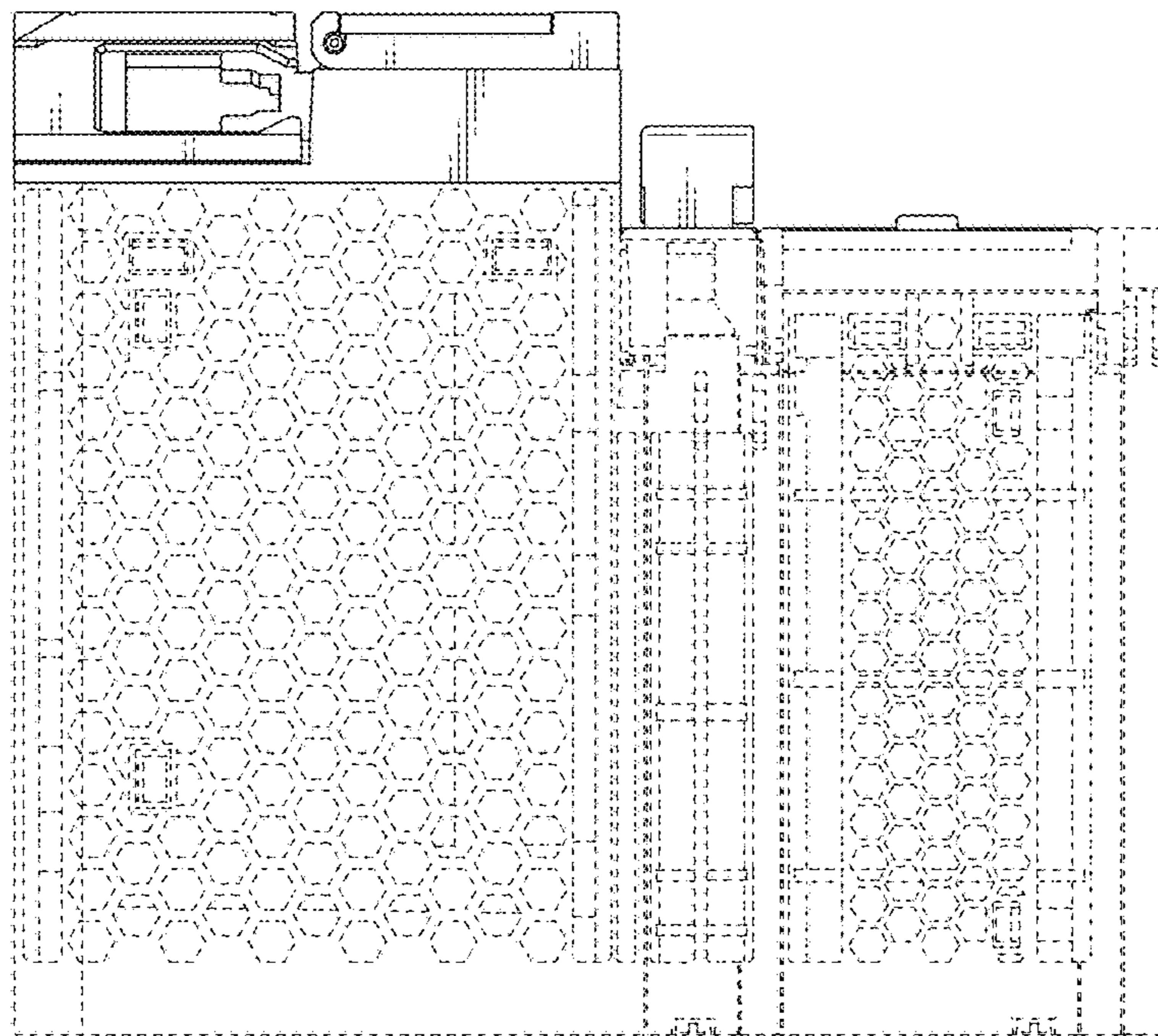


FIG. 6

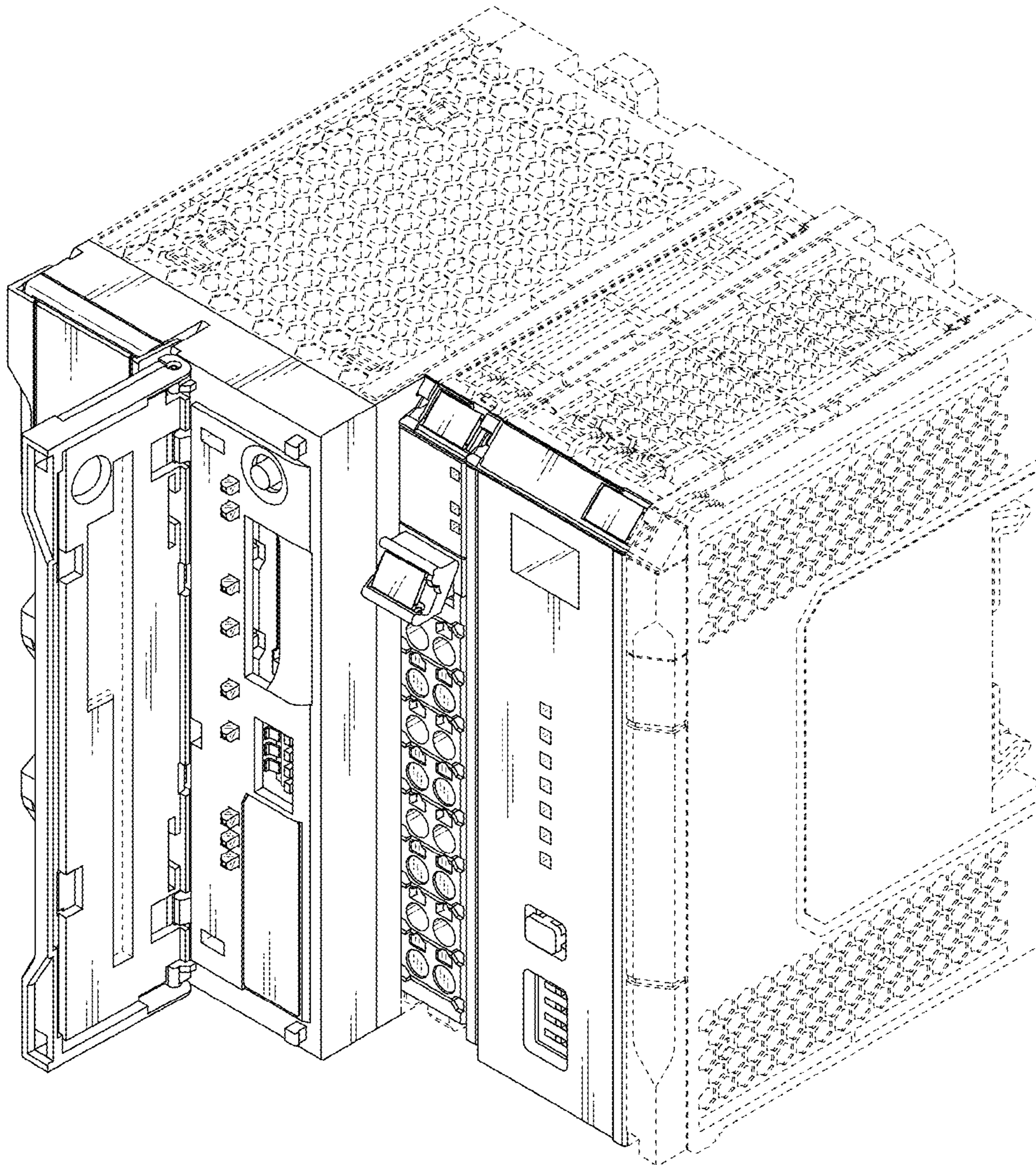


FIG. 7