



US00D868003S

(12) **United States Design Patent** (10) **Patent No.:** **US D868,003 S**  
**Hood** (45) **Date of Patent:** **\*\* Nov. 26, 2019**

(54) **WIRE COVER END CAP WITH WIRE PASSAGE**  
(71) Applicant: **David C. Hood**, Lincoln, CA (US)  
(72) Inventor: **David C. Hood**, Lincoln, CA (US)  
(\*\*) Term: **15 Years**

4,433,200 A 2/1984 Jester et al.  
4,946,117 A \* 8/1990 Liesegang ..... F16L 3/08  
248/65  
5,164,020 A 11/1992 Wagner et al.  
D340,564 S \* 10/1993 Ledingham ..... D34/28  
D346,546 S \* 5/1994 Tesmar, Jr. .... D8/356  
(Continued)

(21) Appl. No.: **29/607,445**  
(22) Filed: **Jun. 13, 2017**

FOREIGN PATENT DOCUMENTS

JP 2015158101 A 9/2015  
KR 101562850 B1 10/2015

**Related U.S. Application Data**

(63) Continuation of application No. 15/488,275, filed on Apr. 14, 2017, now Pat. No. 10,187,007.

PCT/US/2017/027782—International Search Report and Written Opinion dated Sep. 20, 2017, 10 pages.  
(Continued)

(51) **LOC (12) Cl.** ..... **13-03**  
(52) **U.S. Cl.**  
USPC ..... **D13/153**

OTHER PUBLICATIONS

(58) **Field of Classification Search**  
USPC ..... D13/108, 110, 123, 133, 137.1–137.4, D13/138.1–138.2, 139.1–139.8, 152–154, D13/146, 147, 156, 158, 177, 184, 199; D14/432, 433, 435.1; D8/350–353, 356; D25/102, 122, 124; D26/74  
CPC ..... H01R 11/00; H01R 9/00; H01R 25/00; H01R 25/006; H01R 13/6675; H01R 13/44; H01R 13/627; H01R 13/447; H01R 13/73; H01R 13/66; H01R 13/60; H01R 13/5845; H01R 13/72; H01R 13/46; H01R 31/065; H01R 31/06; H01R 24/28; H01R 27/00; H02J 2007/0062; H01B 7/2806; F21S 8/02; F21V 23/00; F21V 23/01; F16J 13/10; F16B 5/02; F16L 3/12; H02S 40/34; H02S 30/10  
See application file for complete search history.

*Primary Examiner* — Rosemary K Tarcza  
*Assistant Examiner* — Christy M Nemeth  
(74) *Attorney, Agent, or Firm* — Haynes Beffel & Wolfeld LLP; James F. Hann; Andrew L. Dunlap

(57) **CLAIM**

The ornamental design for a wire cover end cap with wire passage, as shown and described.

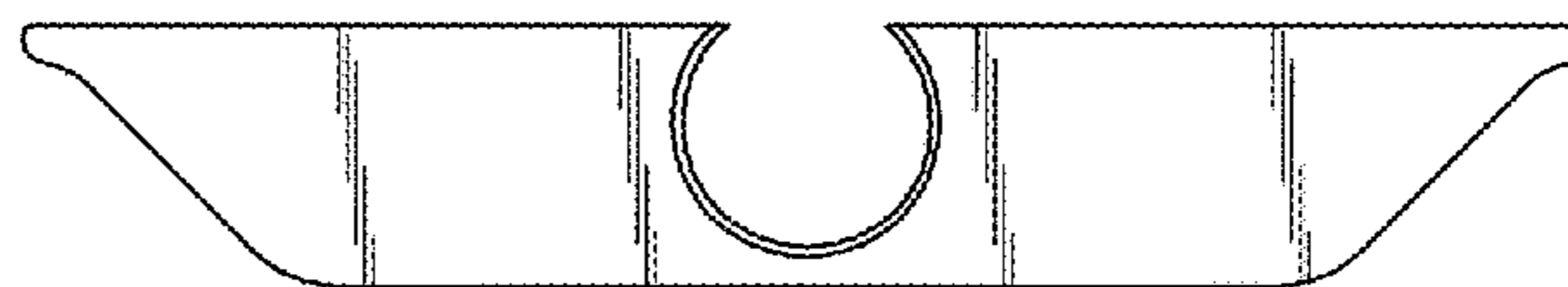
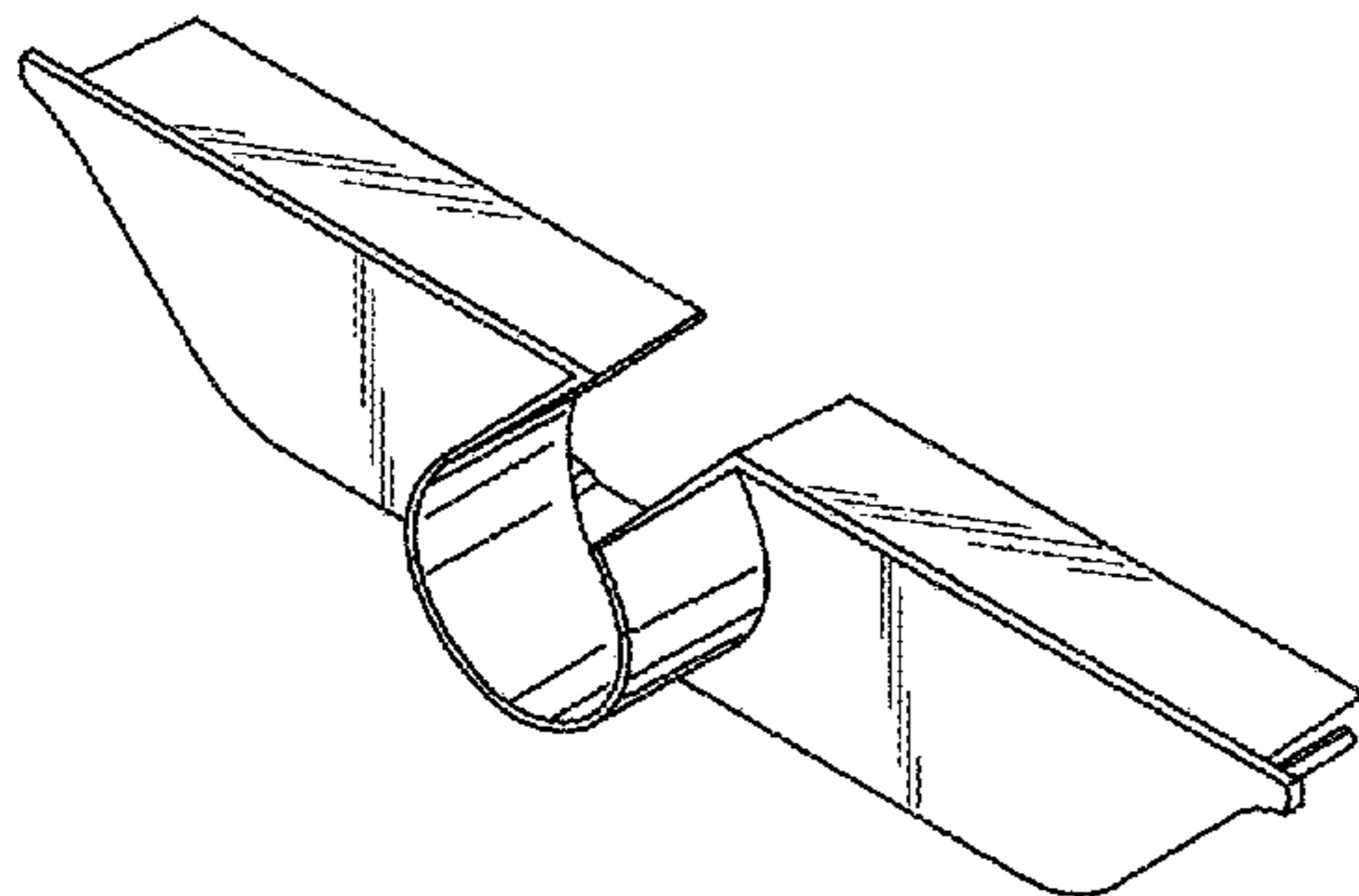
**DESCRIPTION**

FIG. 1 is a front, top, right side perspective view of a wire cover end cap with wire passage showing my new design; FIG. 2 is a top plan view thereof; FIG. 3 is a front elevation view thereof; FIG. 4 is a right side elevation view thereof; FIG. 5 is a left side elevation view thereof; FIG. 6 is a rear elevation view thereof; and, FIG. 7 is a bottom plan view thereof. The broken lines in the drawings are for the purpose of illustrating portions of the wire cover end cap with wire passage that form no part of the claimed design.

(56) **References Cited**  
U.S. PATENT DOCUMENTS

2,815,556 A 12/1957 Neil  
4,143,498 A 3/1979 Martin, Jr.

**1 Claim, 2 Drawing Sheets**



(56)

References Cited

U.S. PATENT DOCUMENTS

D382,984 S \* 8/1997 Junell ..... D25/135  
 D393,289 S \* 4/1998 Suzuki ..... D13/158  
 D493,693 S \* 8/2004 Lord ..... D8/352  
 D749,402 S \* 2/2016 Veilleux ..... D8/376  
 D755,436 S \* 5/2016 Jackson ..... D26/113  
 D768,097 S \* 10/2016 Powers ..... D13/199  
 D823,787 S 7/2018 Hood  
 D835,033 S \* 12/2018 Sorias ..... D13/108  
 10,177,707 B2 1/2019 Hood  
 10,187,007 B2 1/2019 Hood  
 2003/0070368 A1 4/2003 Shingleton  
 2011/0088740 A1 4/2011 Mittan et al.  
 2011/0265860 A1 11/2011 Ciasulli et al.  
 2011/0303262 A1 12/2011 Wolter  
 2012/0192925 A1 8/2012 Grushkowitz et al.  
 2014/0048498 A1 2/2014 Kuan  
 2014/0137927 A1 5/2014 Kim et al.

2014/0246077 A1 9/2014 Poulakis  
 2014/0329420 A1 11/2014 Magno  
 2016/0268965 A1 9/2016 Stearns et al.  
 2017/0207743 A1 7/2017 Lemos et al.  
 2017/0353147 A1\* 12/2017 Hood ..... H02S 30/10  
 2018/0076760 A1\* 3/2018 Hood ..... H02S 30/10  
 2018/0131319 A1\* 5/2018 Hood ..... H02G 3/0431

OTHER PUBLICATIONS

U.S. Appl. No. 29/607,442—Design Application filed Jun. 13, 2017, 3 pages.  
 U.S. Appl. No. 29/607,437—Design Patent Application filed Jun. 13, 2017, 4 pages.  
 U.S. Appl. No. 15/622,882—Non-Provisional Application filed Jun. 14, 2017, 29 pages.  
 U.S. Appl. No. 15/634,323—Non-Provisional Application filed Jun. 27, 2017, 18 pages.

\* cited by examiner

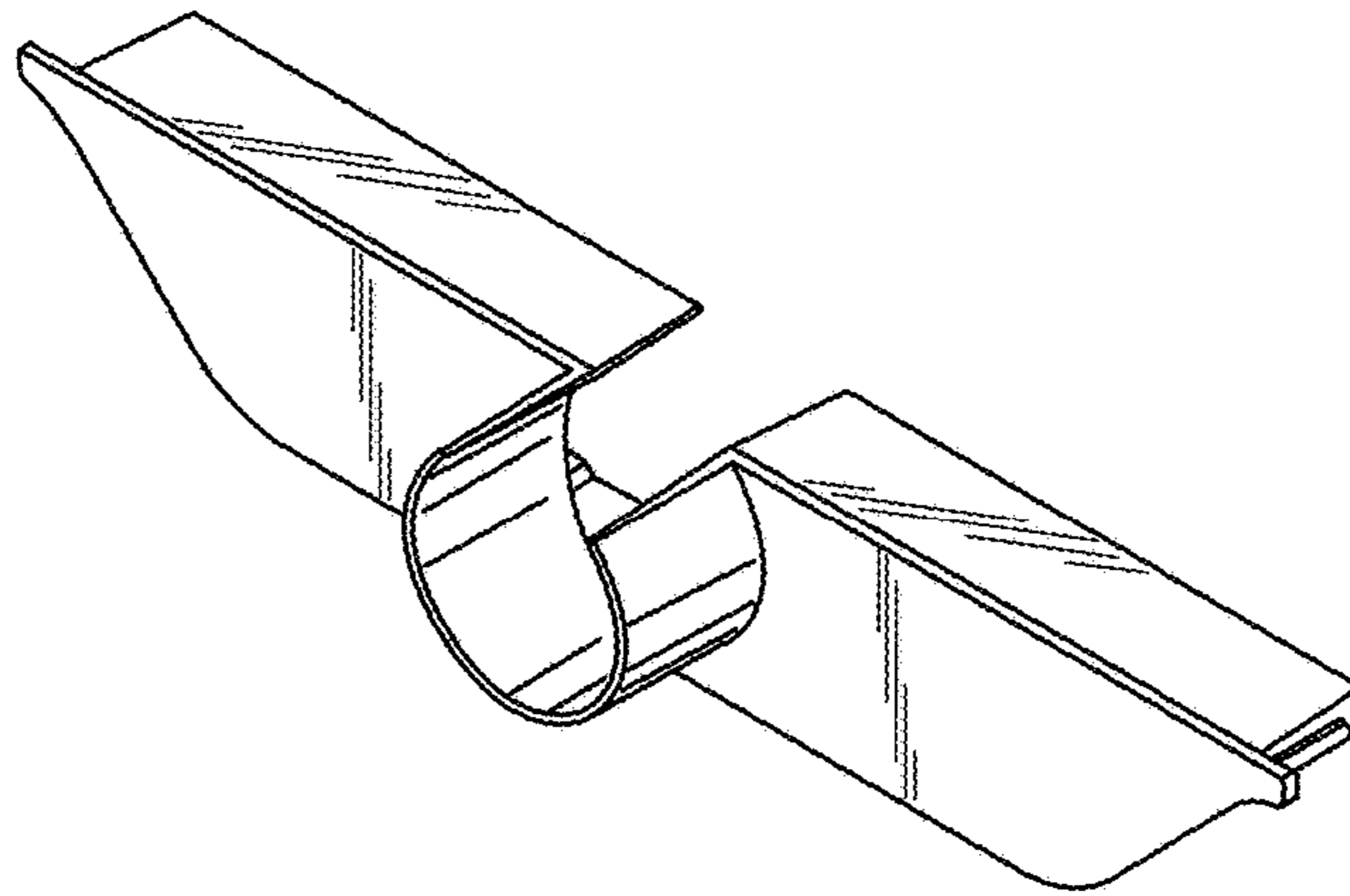


FIG. 1

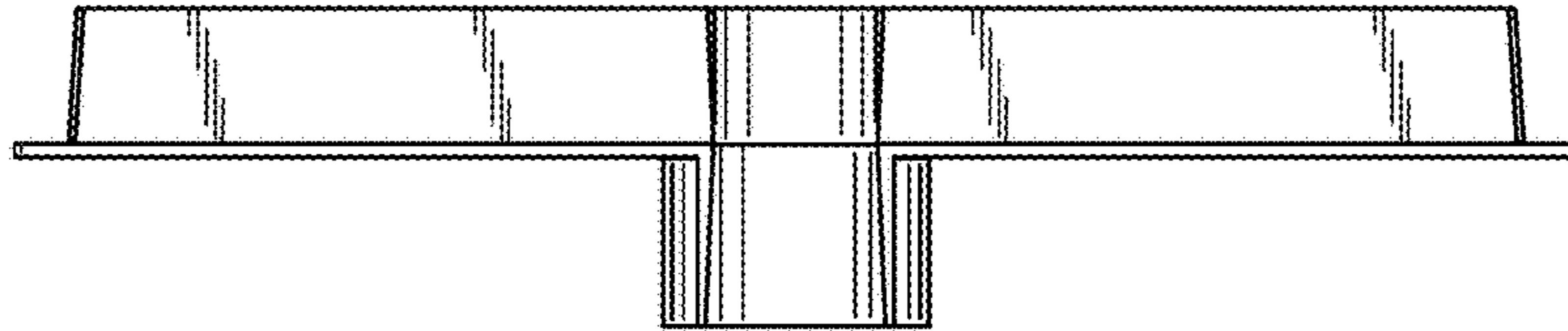


FIG. 2

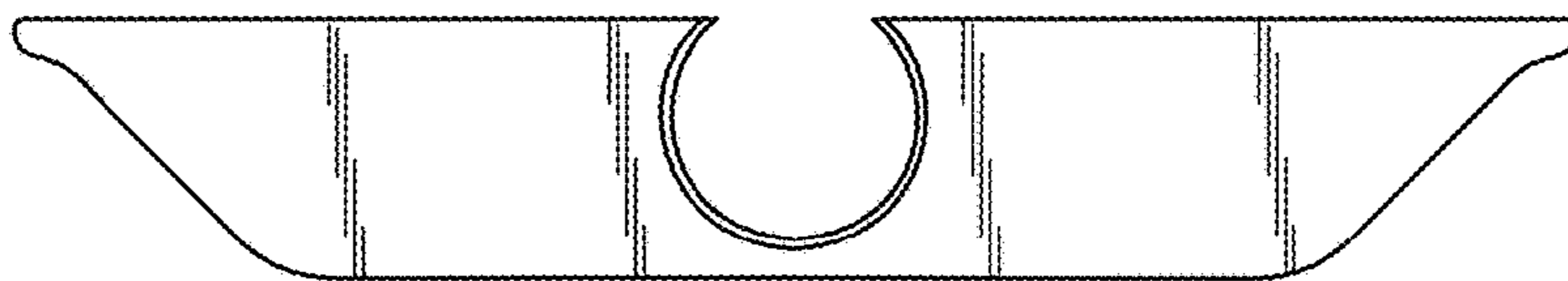


FIG. 3

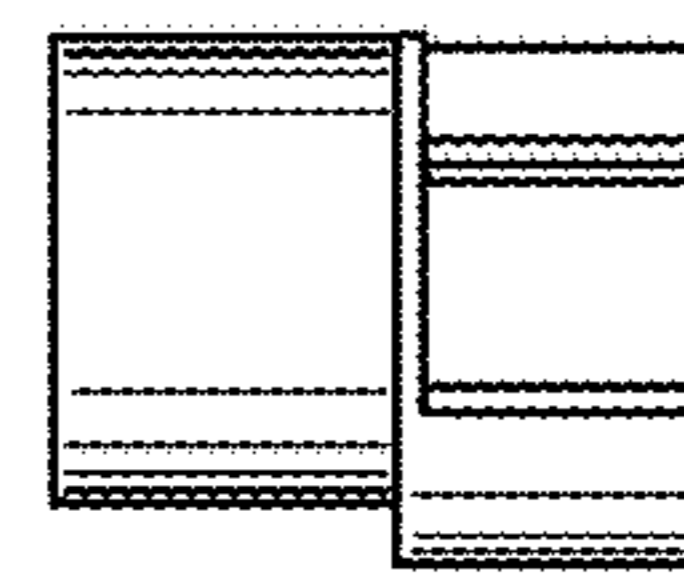


FIG. 4

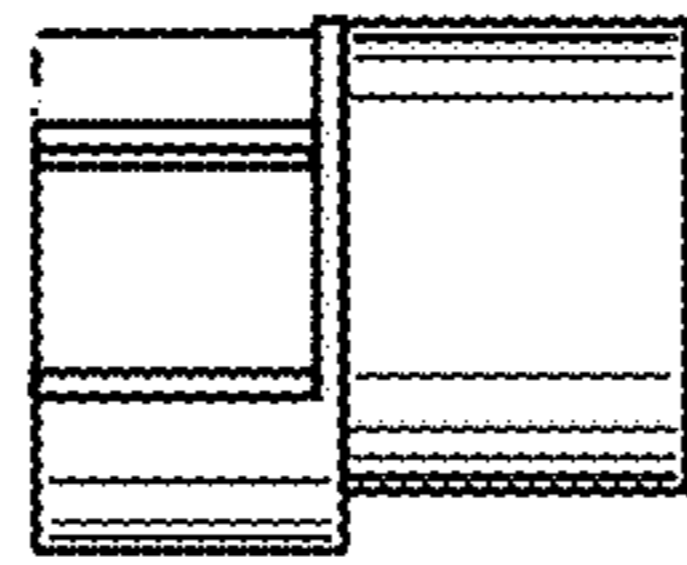


FIG. 5

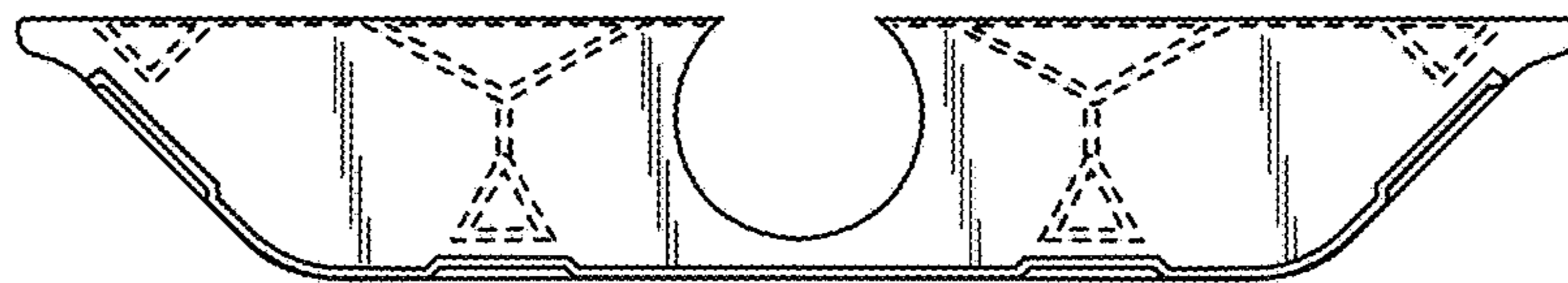


FIG. 6

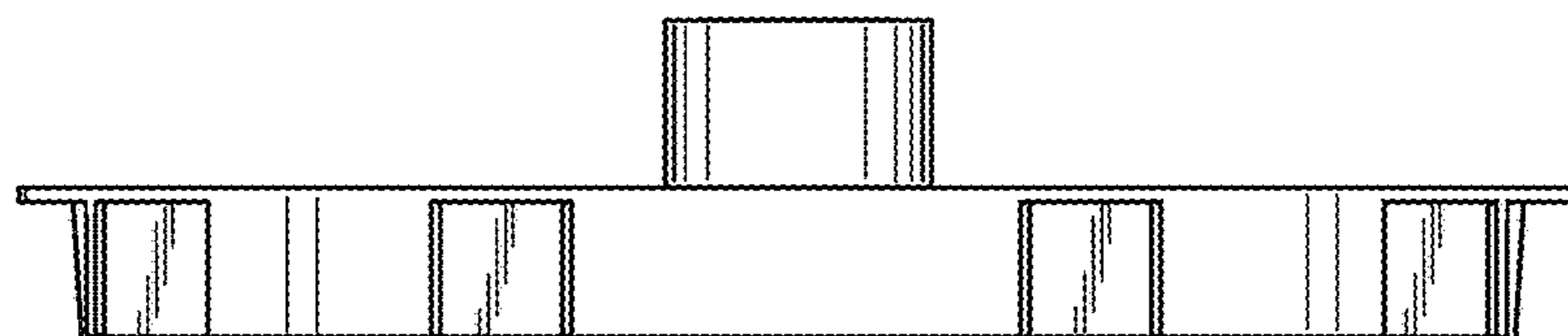


FIG. 7