



US00D868000S

(12) **United States Design Patent** (10) **Patent No.:** **US D868,000 S**
Joniak et al. (45) **Date of Patent:** **** Nov. 26, 2019**

(54) **SOCKET CONNECTOR**
(71) Applicant: **Molex, LLC**, Lisle, IL (US)
(72) Inventors: **Jeffrey Alan Joniak**, Homer Glen, IL (US); **Chiuming Lu**, Lisle, IL (US)
(73) Assignee: **Molex, LLC**, Lisle, IL (US)
(**) Term: **15 Years**
(21) Appl. No.: **29/655,219**
(22) Filed: **Jun. 30, 2018**
(51) **LOC (12) Cl.** **13-03**
(52) **U.S. Cl.**
USPC **D13/146**
(58) **Field of Classification Search**
USPC D13/118, 123, 133-135, 146, 147, 151, D13/154, 173, 178, 182, 184, 199; D26/1, 2, 23, 26, 113; 439/843
CPC F21V 15/00; F21V 29/00; G02B 6/38; G02B 6/40; H01B 17/30; H01R 13/00; H01R 13/28; H01R 13/436; H01R 13/622; H01R 13/627; H01R 24/38; H01R 12/70; H01R 12/88; H01R 12/91; H01R 13/11; H01R 13/18; H01R 13/187; H01R 13/631; H01R 13/05; H01R 25/16; H01R 25/02
See application file for complete search history.

(56) **References Cited**
U.S. PATENT DOCUMENTS
D55,253 S * 5/1920 Eaton D26/113
D181,356 S * 11/1957 Hertz D13/146
2,941,025 A * 6/1960 Wayman H01B 17/308
174/653
D280,935 S * 10/1985 Alcorn D26/26
7,806,737 B2 10/2010 Mark et al.
D650,518 S * 12/2011 Fletcher D26/138
D685,505 S * 7/2013 Yamamoto D26/2
D685,507 S * 7/2013 Sun D26/2

9,680,268 B1 * 6/2017 Finona H01R 24/38
2013/0095689 A1 * 4/2013 Hayman H01R 13/00
439/359
2013/0286669 A1 * 10/2013 Moser F21V 19/001
362/382
2014/0227900 A1 * 8/2014 Zitsch H01R 13/62
439/359
2016/0230979 A1 * 8/2016 Kwon F21V 31/00
2017/0338606 A1 * 11/2017 Copper H01R 12/55

FOREIGN PATENT DOCUMENTS

WO WO2018063928 * 4/2018
WO WO2018093981 * 5/2018

* cited by examiner

Primary Examiner — Angela J Lee
Assistant Examiner — Shawn T Gingrich
(74) *Attorney, Agent, or Firm* — Banner & Witcoff, Ltd.

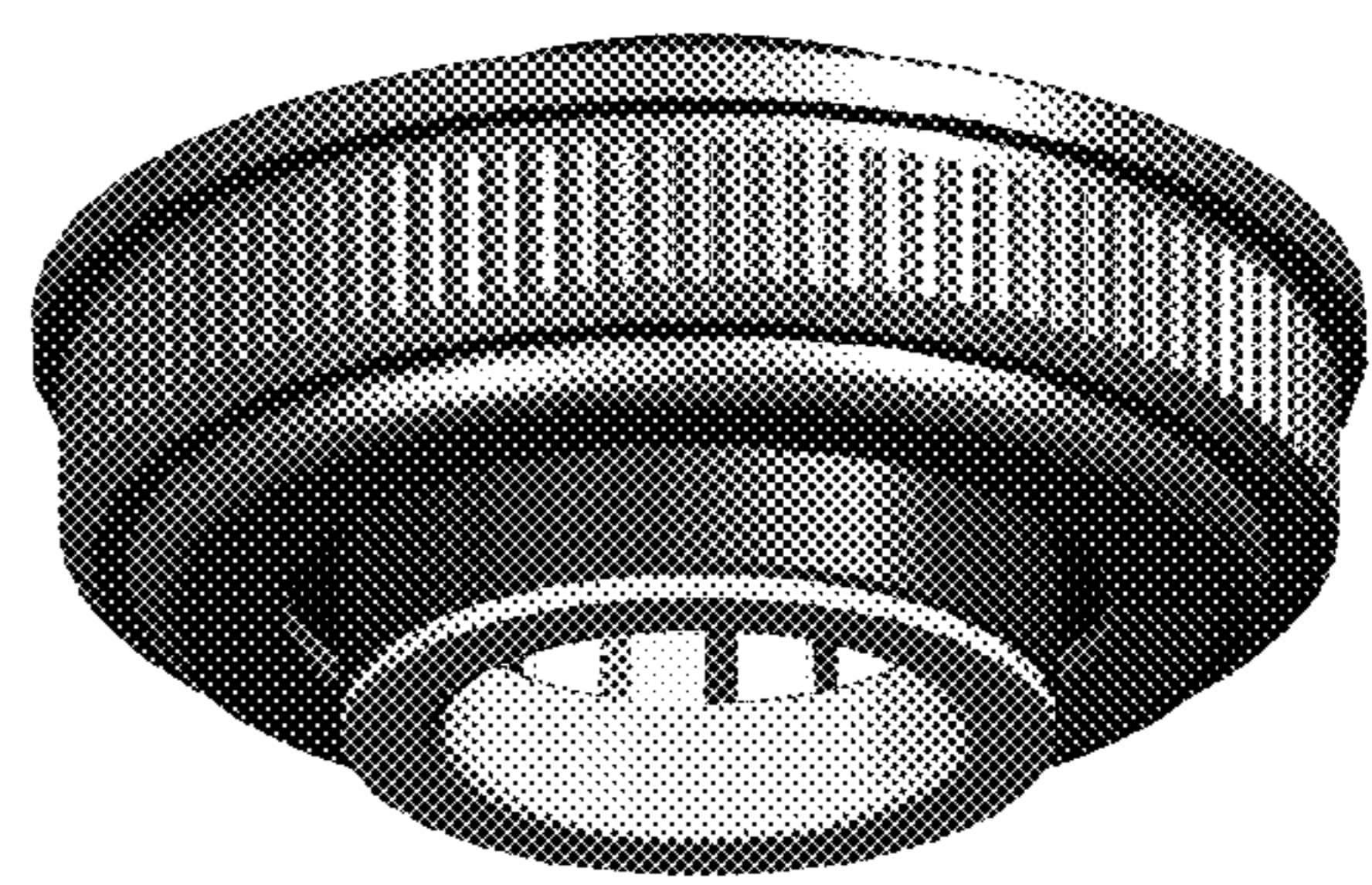
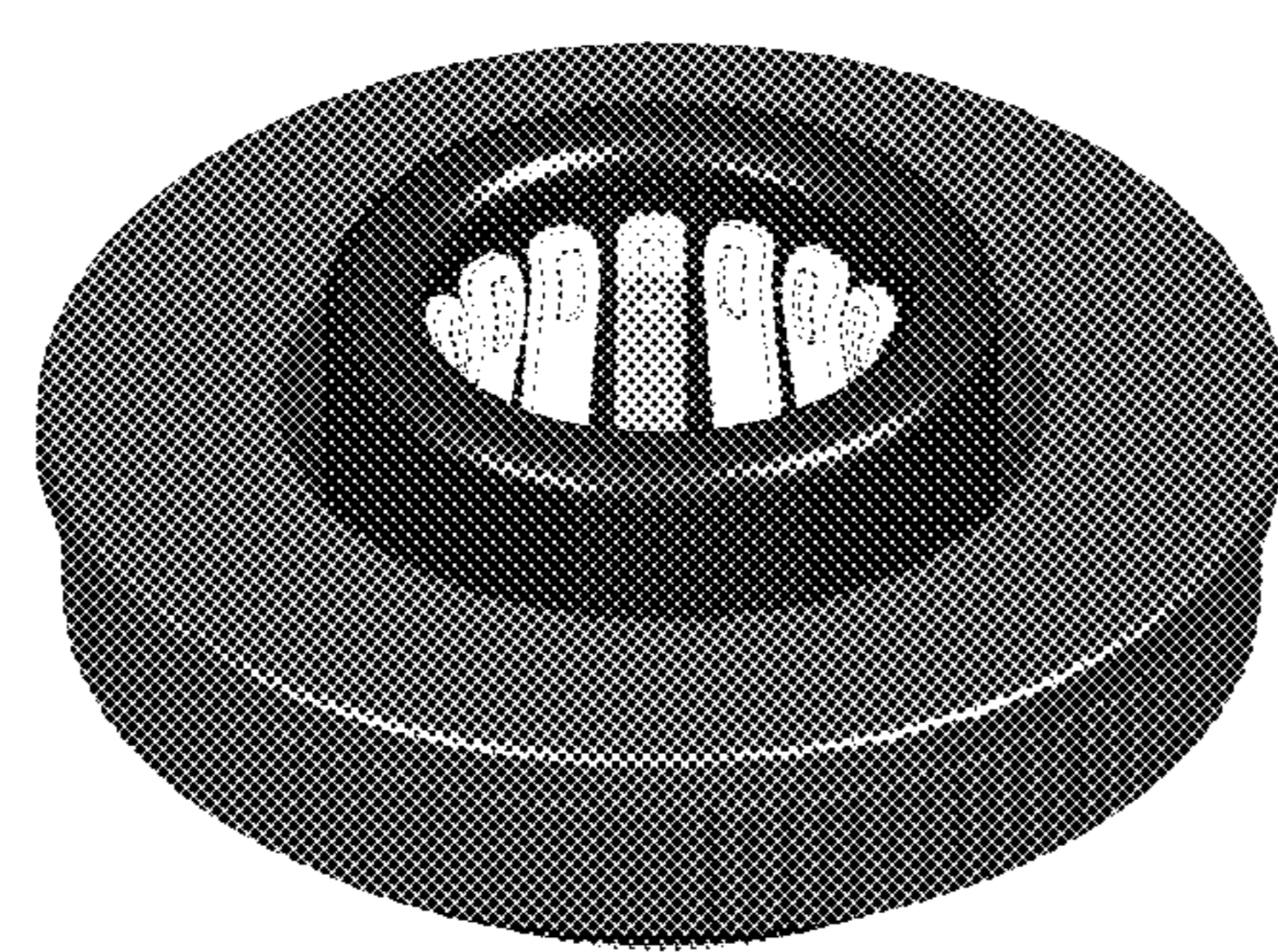
(57) **CLAIM**

The ornamental design for a socket connector, as shown and described.

DESCRIPTION

FIG. 1 is a front perspective view of a socket connector showing our new design;
FIG. 2 is a front view thereof;
FIG. 3 is a rear view thereof;
FIG. 4 is a right side view thereof;
FIG. 5 is a left side view thereof;
FIG. 6 is a bottom view thereof;
FIG. 7 is a top view thereof;
FIG. 8 is a bottom perspective view thereof; and,
FIG. 9 is a cross-section taken through line 9-9 of FIG. 7 thereof.
The broken lines depicting the terminal contacts and internal structure of the socket connector form no part of the claimed design. The grey-fill shading is used as an aid to represent surface contour and to distinguish the surfaces from one another; and no contrast in appearance is hereby claimed.

1 Claim, 9 Drawing Sheets



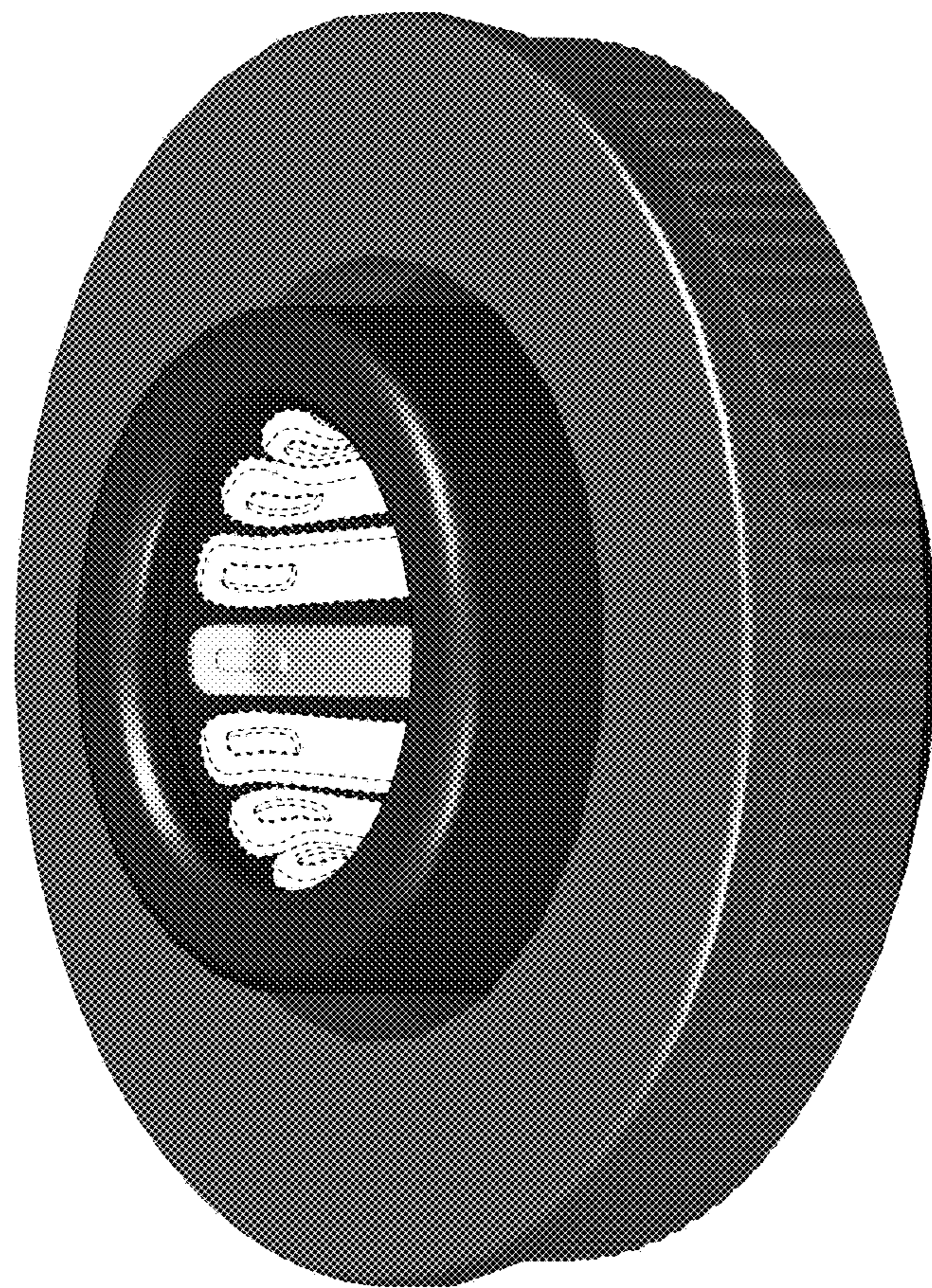


FIG. 1

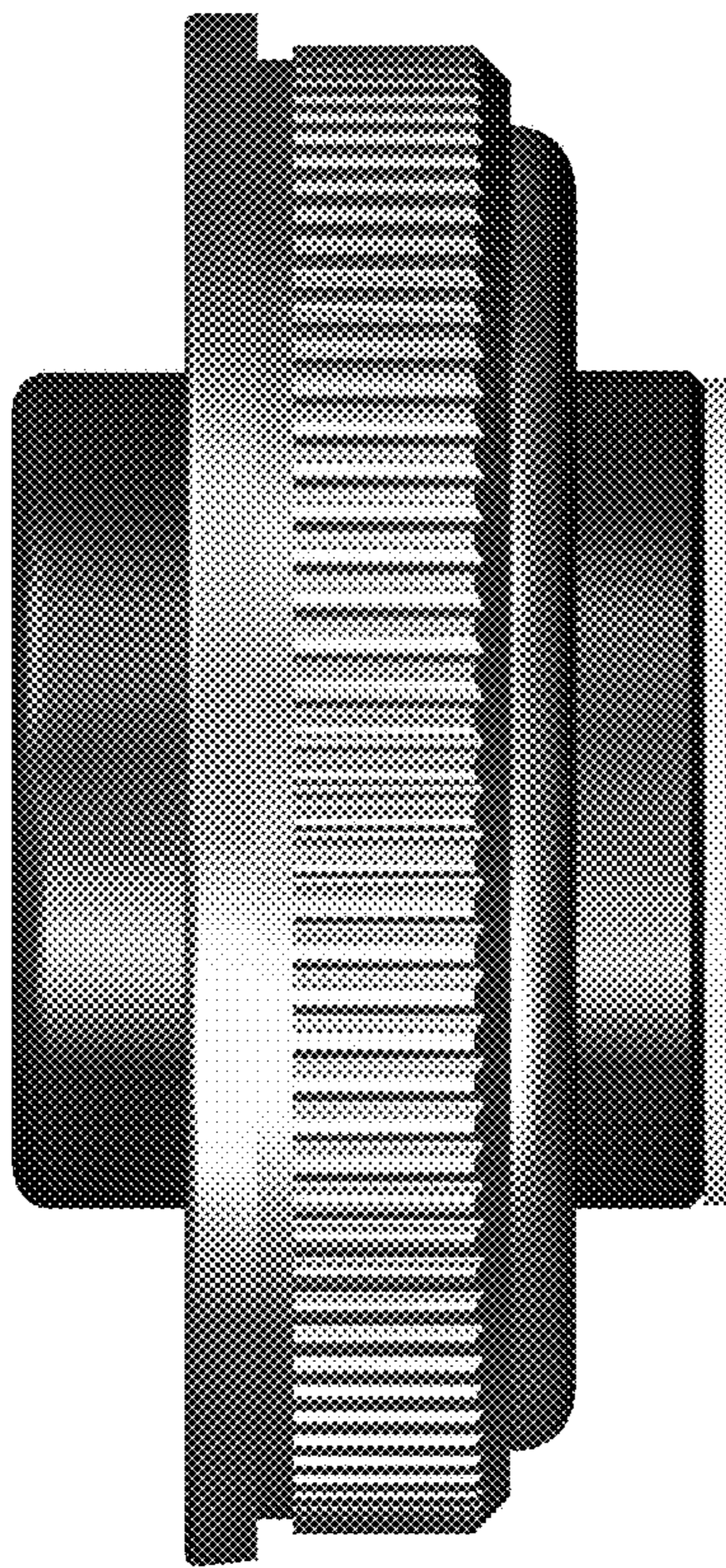


FIG. 2

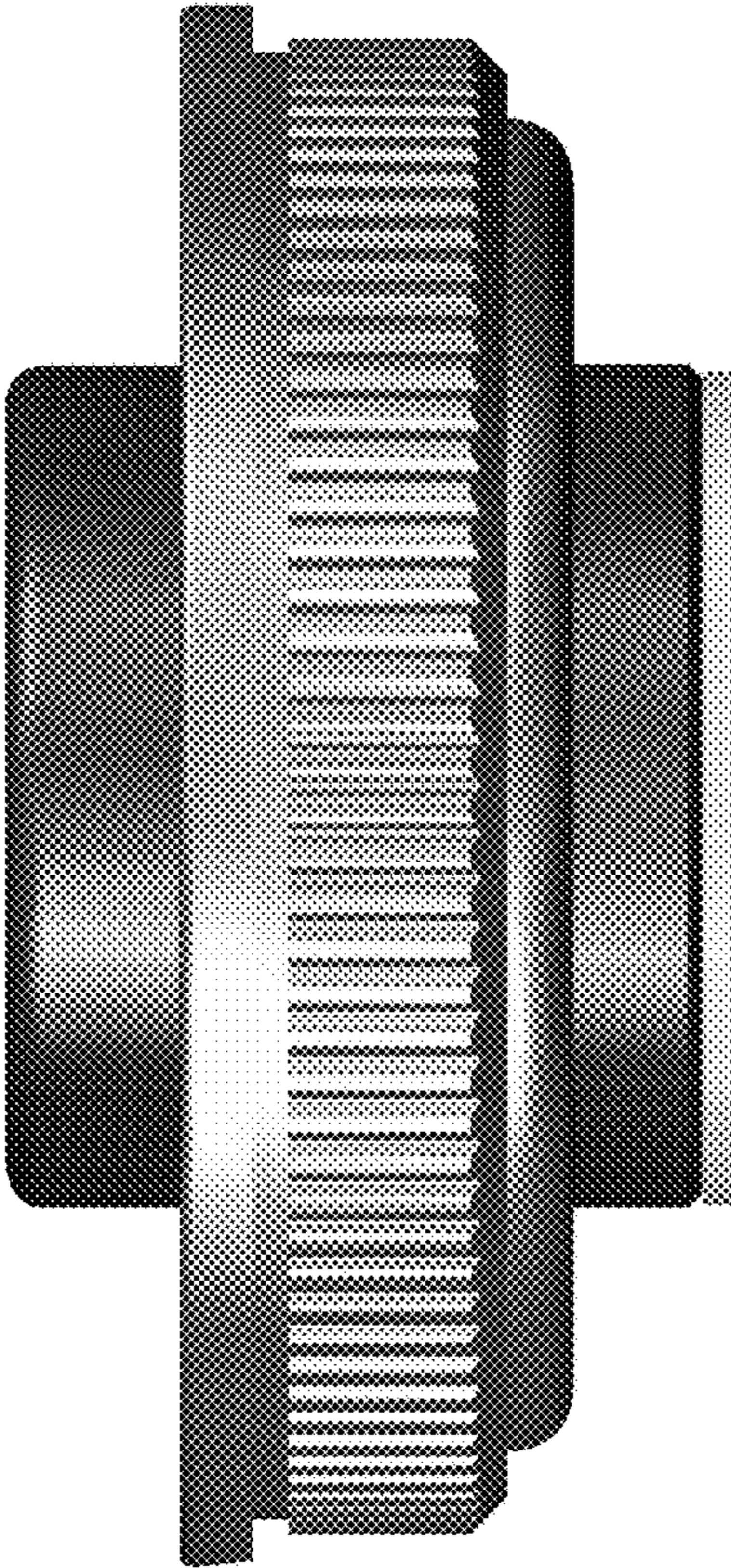


FIG. 3

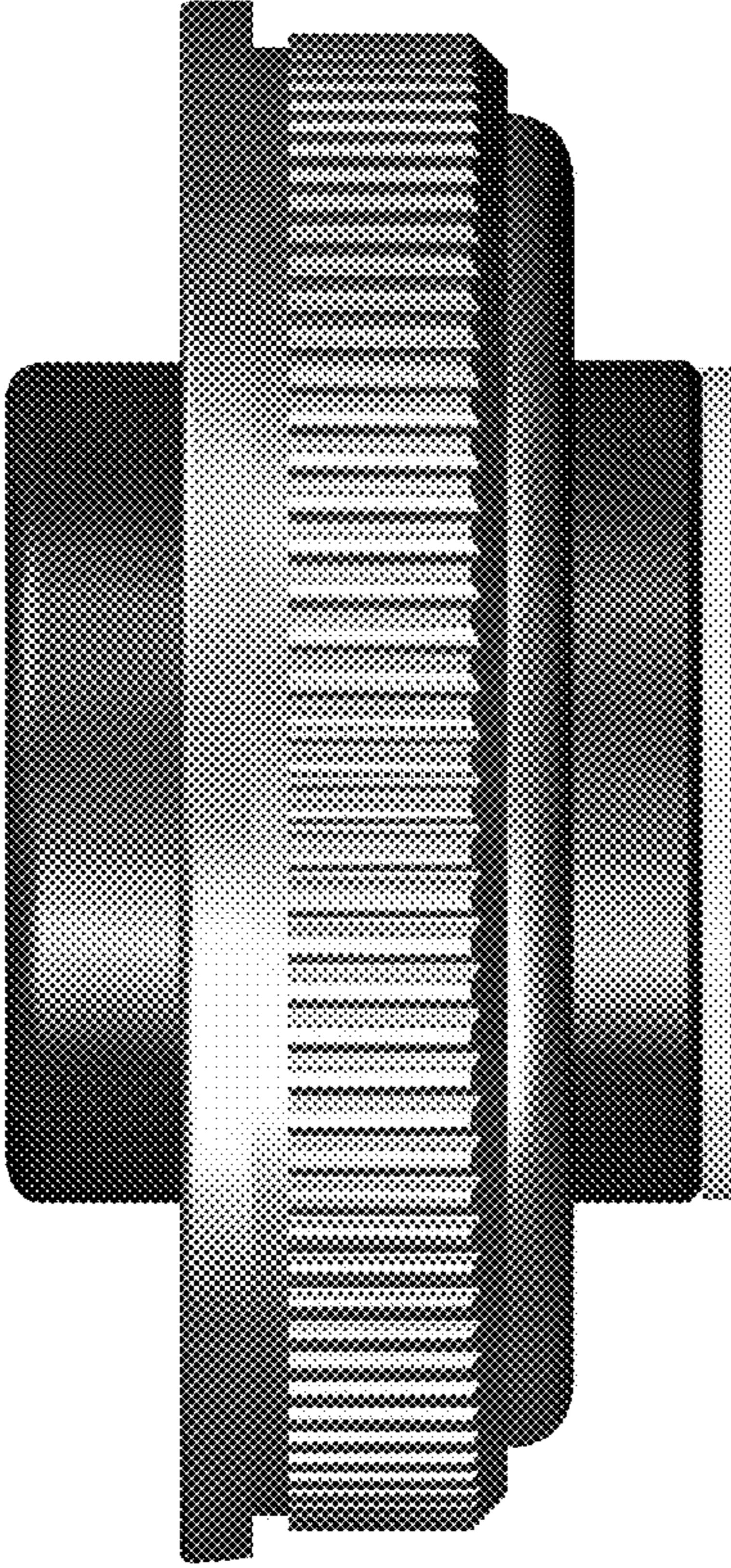


FIG. 4

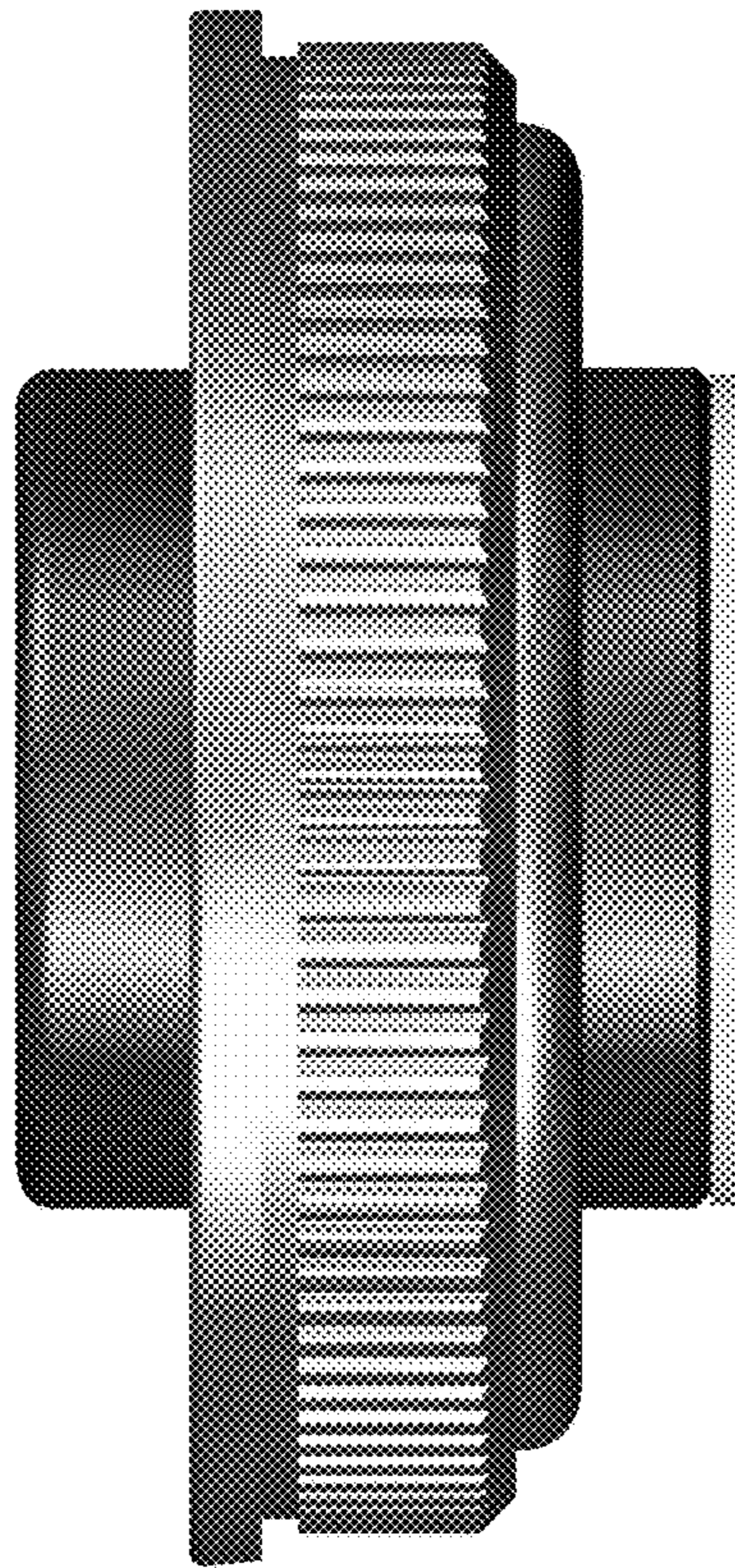


FIG. 5

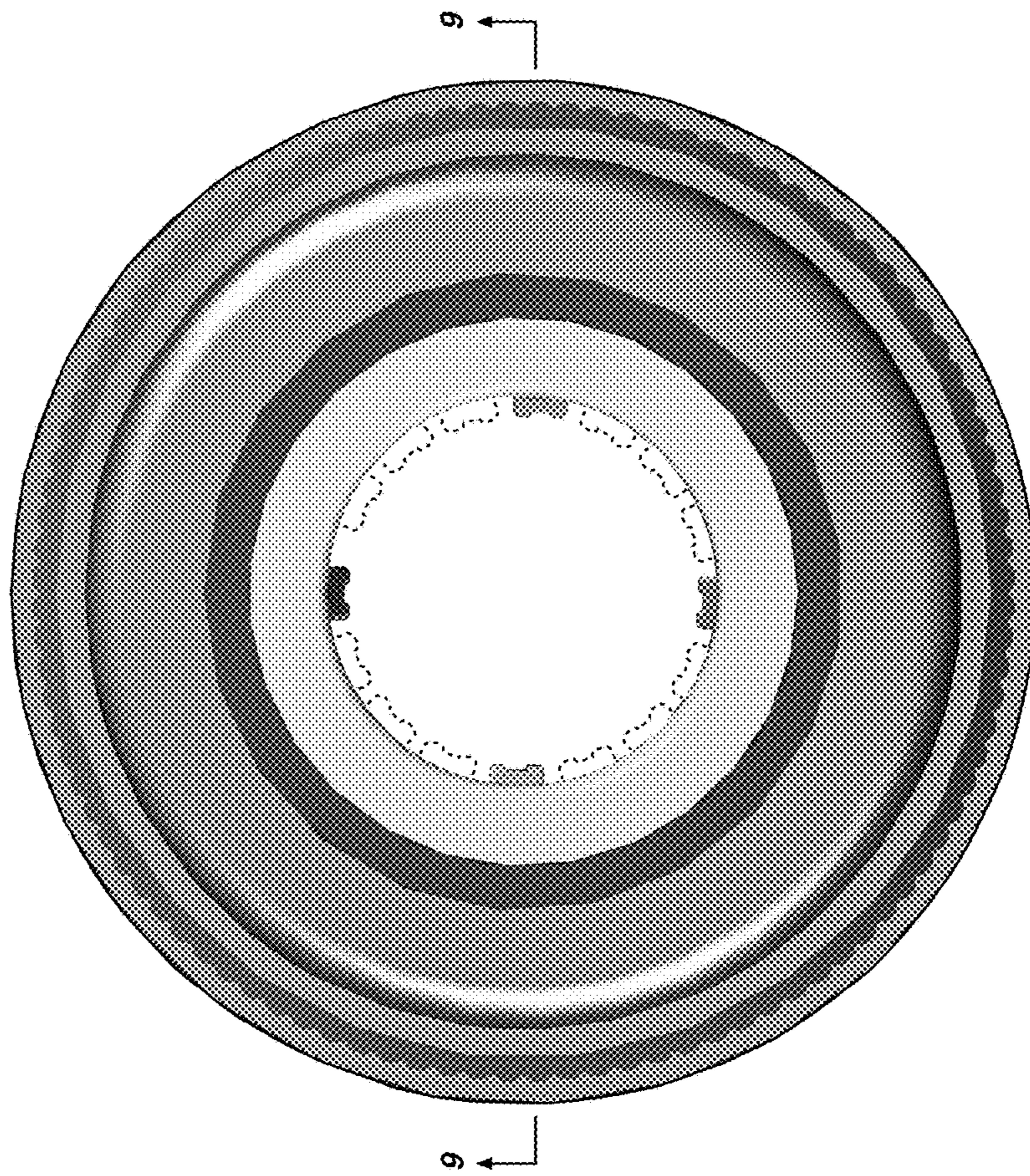


FIG. 6

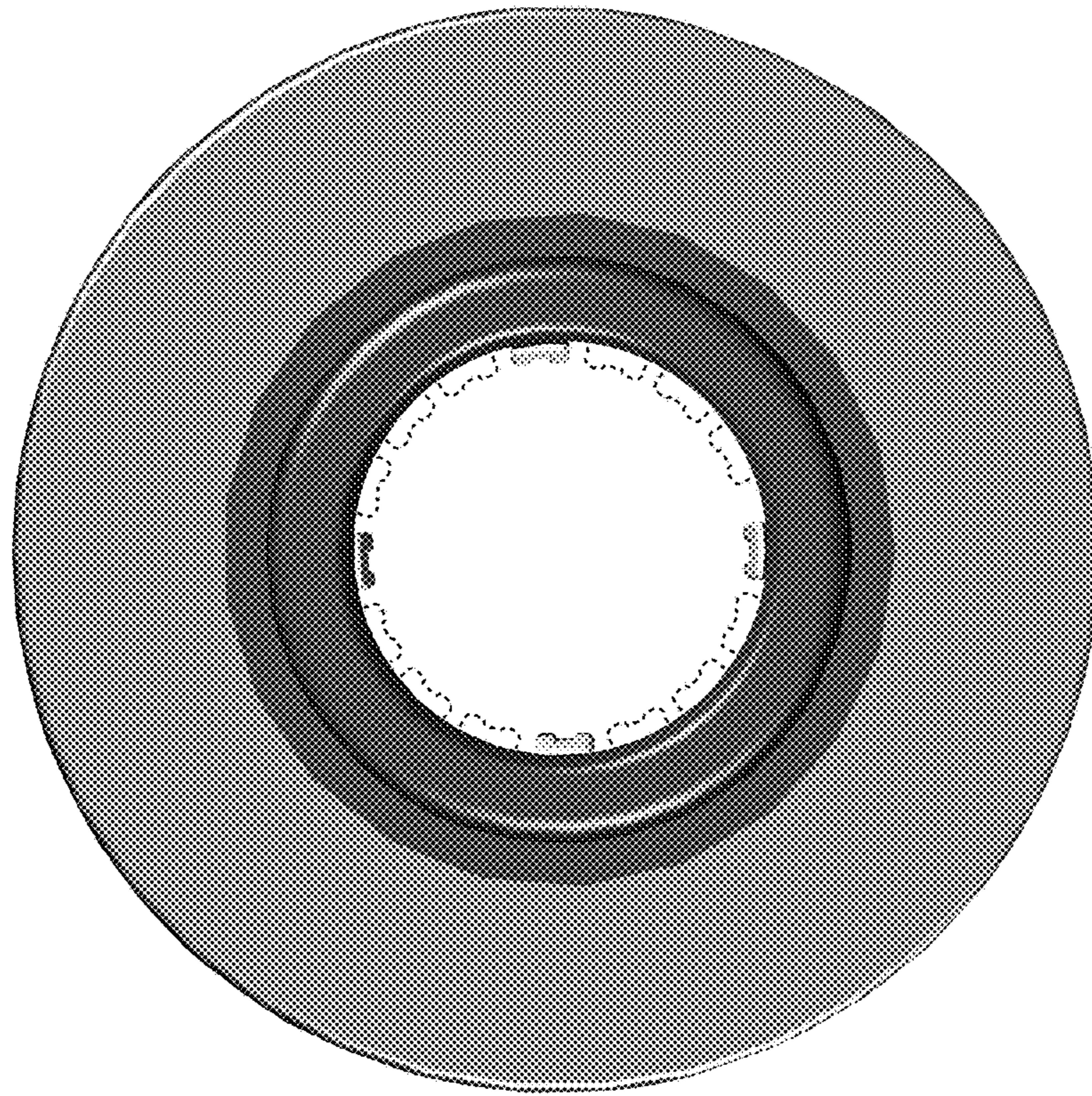


FIG. 7

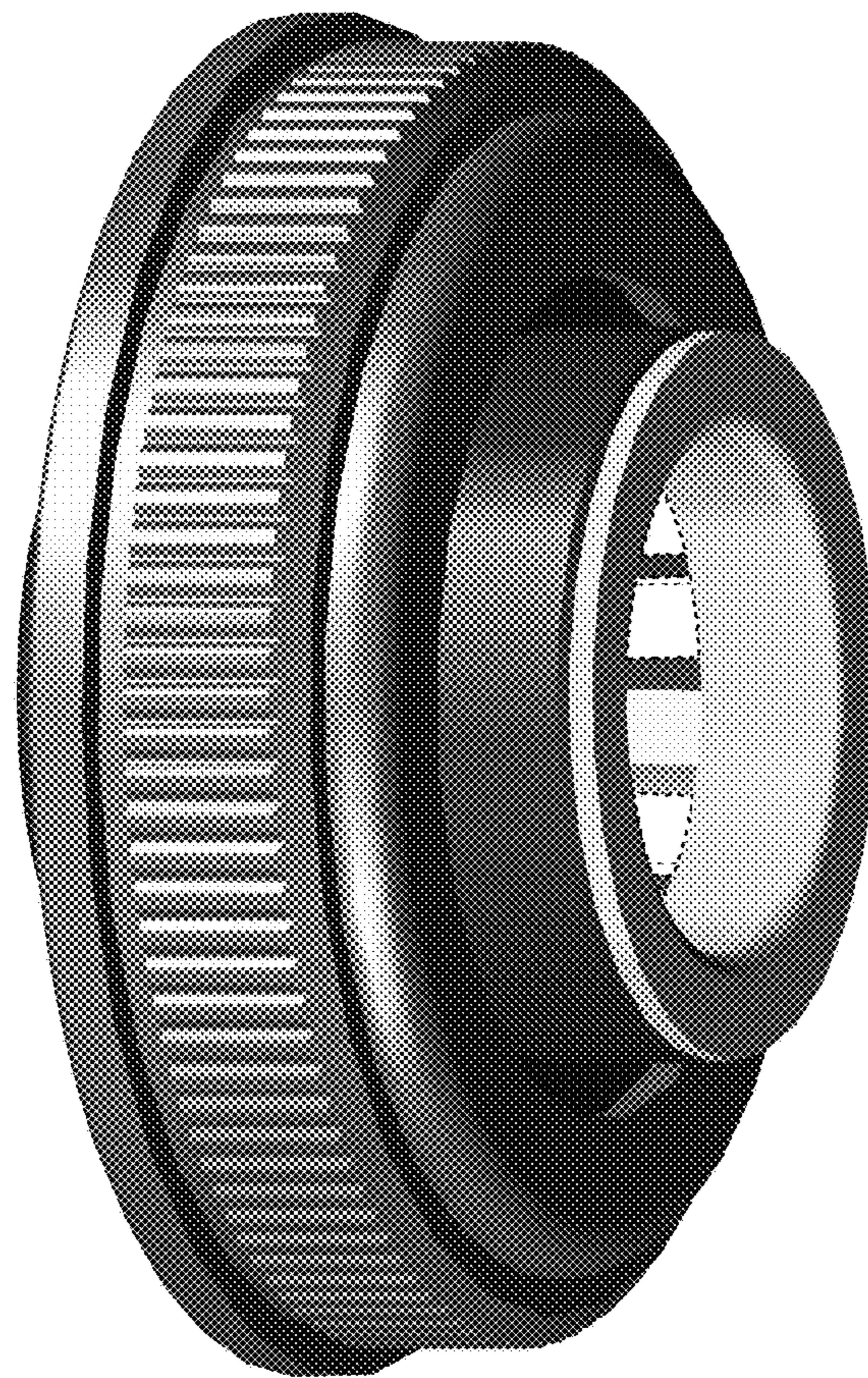


FIG. 8

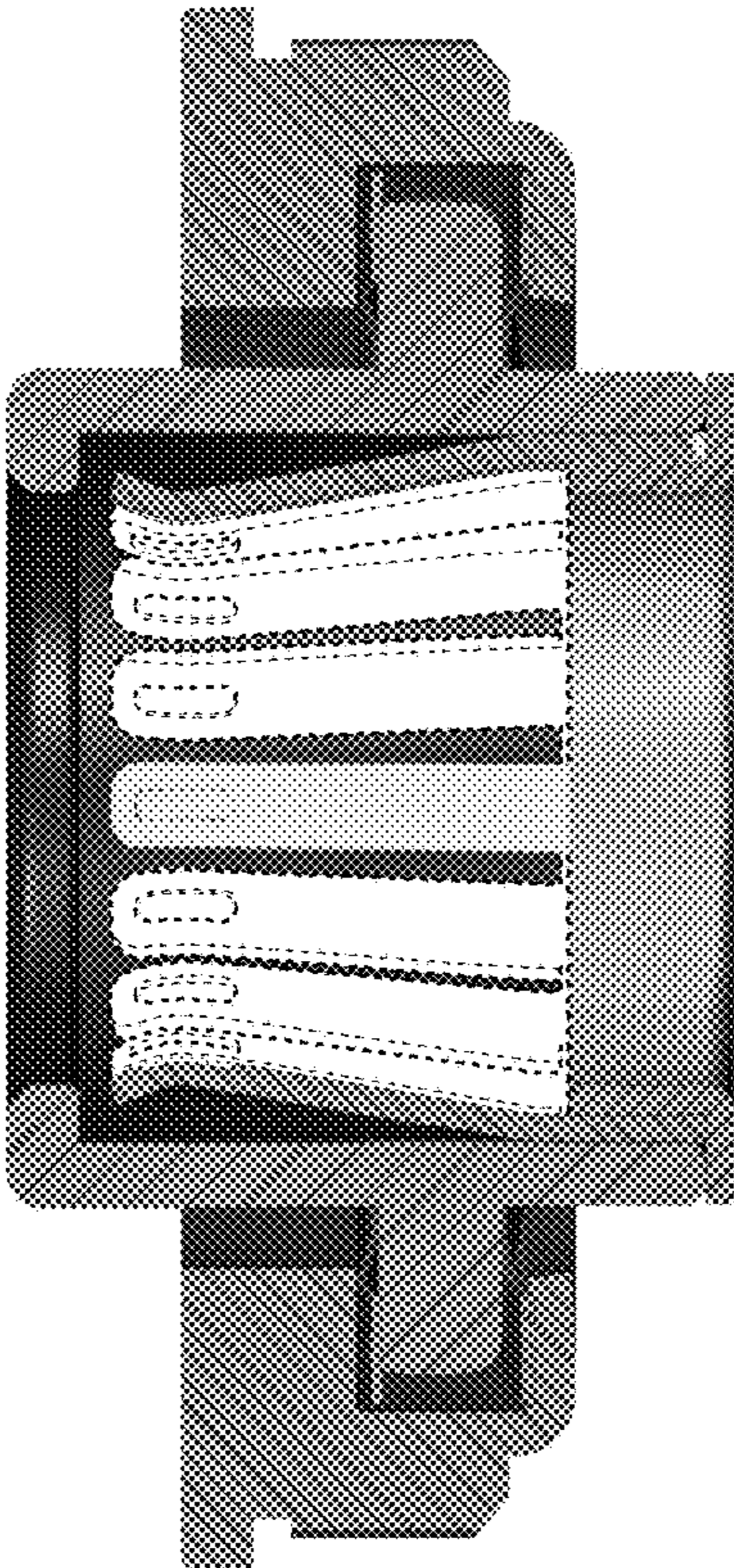


FIG. 9