



US00D867999S

(12) **United States Design Patent** (10) **Patent No.:** **US D867,999 S**
Li (45) **Date of Patent:** **** Nov. 26, 2019**

(54) **ON-VEHICLE CHARGER AND WIRELESS EARPHONE ASSEMBLY**

(71) Applicant: **Shenzhen Winrise Technology Co., Ltd.**, Shenzhen, Guangdong Province (CN)

(72) Inventor: **Shengqiang Li**, Shenzhen (CN)

(73) Assignee: **SHENZHEN WINRISE TECHNOLOGY CO., LTD.**, Shenzhen, Guangdong Province (CN)

(**) Term: **15 Years**

(21) Appl. No.: **29/582,312**

(22) Filed: **Oct. 26, 2016**

(30) **Foreign Application Priority Data**

Apr. 27, 2016 (CN) 2016 3 0147476

(51) **LOC (12) Cl.** **13-03**

(52) **U.S. Cl.**
USPC **D13/144**

(58) **Field of Classification Search**
USPC D13/144, 107, 110, 118, 119, 120, 133, D13/154, 184, 199; D14/155, 217, 433
(Continued)

(56) **References Cited**

U.S. PATENT DOCUMENTS

4,682,139 A * 7/1987 Kuo H01R 13/68
337/186
5,952,916 A * 9/1999 Yamabe B25D 1/00
340/321

(Continued)

OTHER PUBLICATIONS

Amazon.com. Excelvan Bluetooth Earbuds Car Charger Wireless Headphones. <https://www.amazon.com/Excelvan-Bluetooth-Earbuds->

Wireless-Headphones/dp/B0778BHNS9. date first available: Nov. 2017. Accessed Dec. 2018. (Year: 2017).*

Primary Examiner — Derrick E Holland
Assistant Examiner — Jennifer O King
(74) *Attorney, Agent, or Firm* — Cheng-Ju Chiang

(57) **CLAIM**

The ornamental design for an “on-vehicle charger and wireless earphone assembly” as shown and described.

DESCRIPTION

FIG. 1 is a rear, top and left side perspective view of an on-vehicle charger and wireless earphone assembly, with the earphone being removed for ease of illustration showing my new design;

FIG. 2 is a front elevational view thereof;

FIG. 3 is a rear elevational view thereof;

FIG. 4 is a left side elevational view thereof, a right side elevational view thereof being symmetrical to the left side elevational view thereof;

FIG. 5 is a top plan view thereof;

FIG. 6 is a bottom plan view thereof;

FIG. 7 is a rear, top and left side perspective view thereof with the charger portion being removed for ease of illustration;

FIG. 8 is a front elevational view thereof, a rear side elevational view thereof being symmetrical to the front elevational view thereof;

FIG. 9 is a left side elevational view thereof, a right side elevational view thereof being symmetrical to the left side elevational view thereof;

FIG. 10 is a top plan view thereof;

FIG. 11 is a bottom plan view thereof;

FIG. 12 is a rear, top and left side perspective view of an on-vehicle charger and wireless earphone assembly showing my new design;

FIG. 13 is a front elevational view thereof;

FIG. 14 is a rear elevational view thereof;

FIG. 15 is a left elevational view thereof, a right side elevational view thereof being symmetrical to the left elevational view thereof;

FIG. 16 is a top plan view thereof; and,

(Continued)

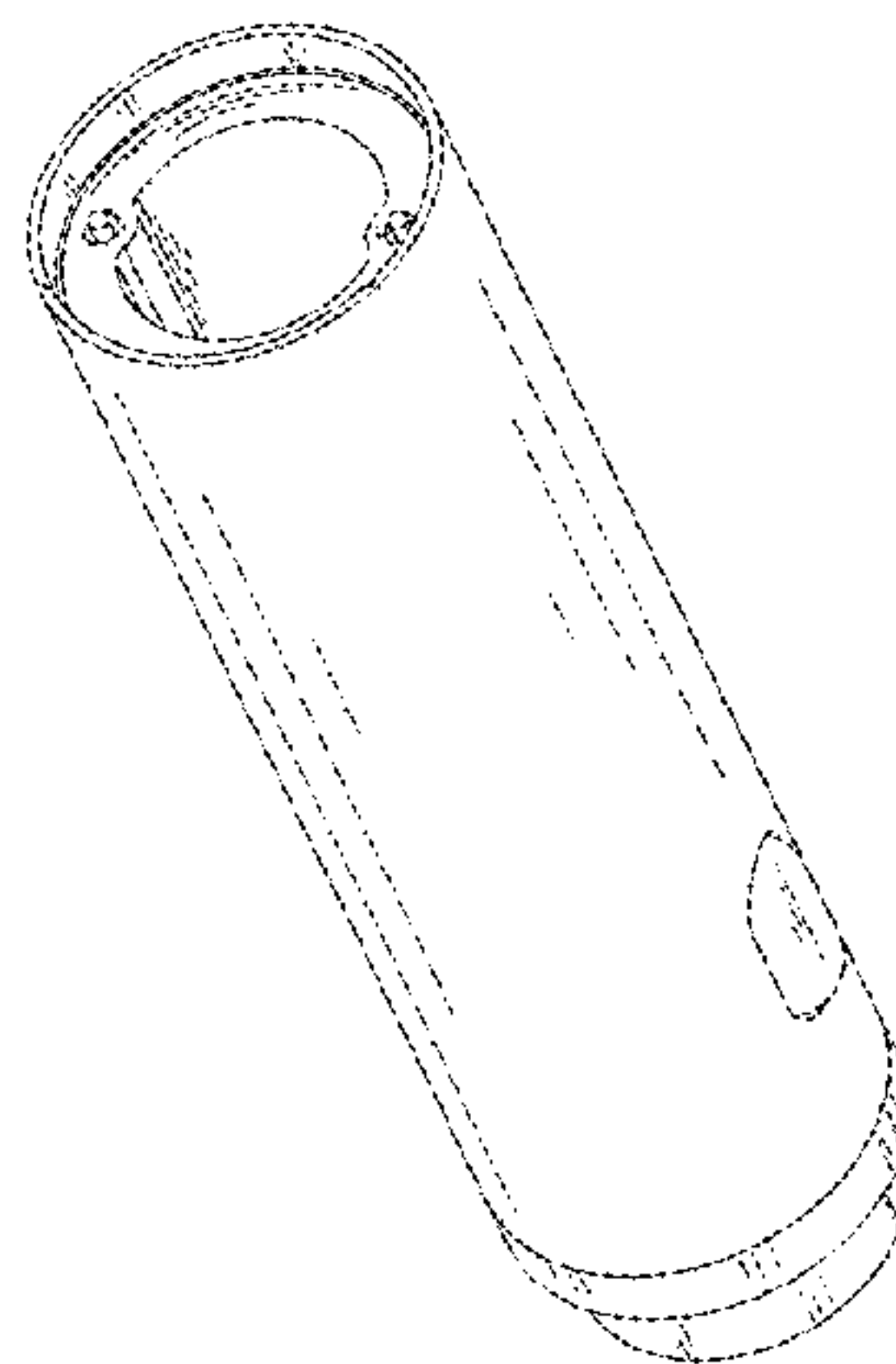


FIG. 17 is a bottom plan view thereof.
The broken lines shown represent portions of the on-vehicle charger and wireless earphone assembly which form no part of the claimed design.

1 Claim, 17 Drawing Sheets

(58) **Field of Classification Search**
CPC H01R 24/58; H01R 2201/26; H01R 31/02
See application file for complete search history.

(56) **References Cited**

U.S. PATENT DOCUMENTS

D592,633	S	*	5/2009	Hynecek	D14/155
7,746,028	B1	*	6/2010	Yang	H04M 1/05
					320/107
D645,816	S	*	9/2011	Sasada	D13/108
D700,572	S	*	3/2014	Esses	D13/108
D720,296	S	*	12/2014	Charnis	D13/144
D780,690	S	*	3/2017	Clapper	D13/108
D818,966	S	*	5/2018	Paterson	D13/153
D827,580	S	*	9/2018	Joseph	D13/144
D833,397	S	*	11/2018	Deng	D13/144
2006/0258412	A1	*	11/2006	Liu	H02J 7/0044
					455/575.2

* cited by examiner

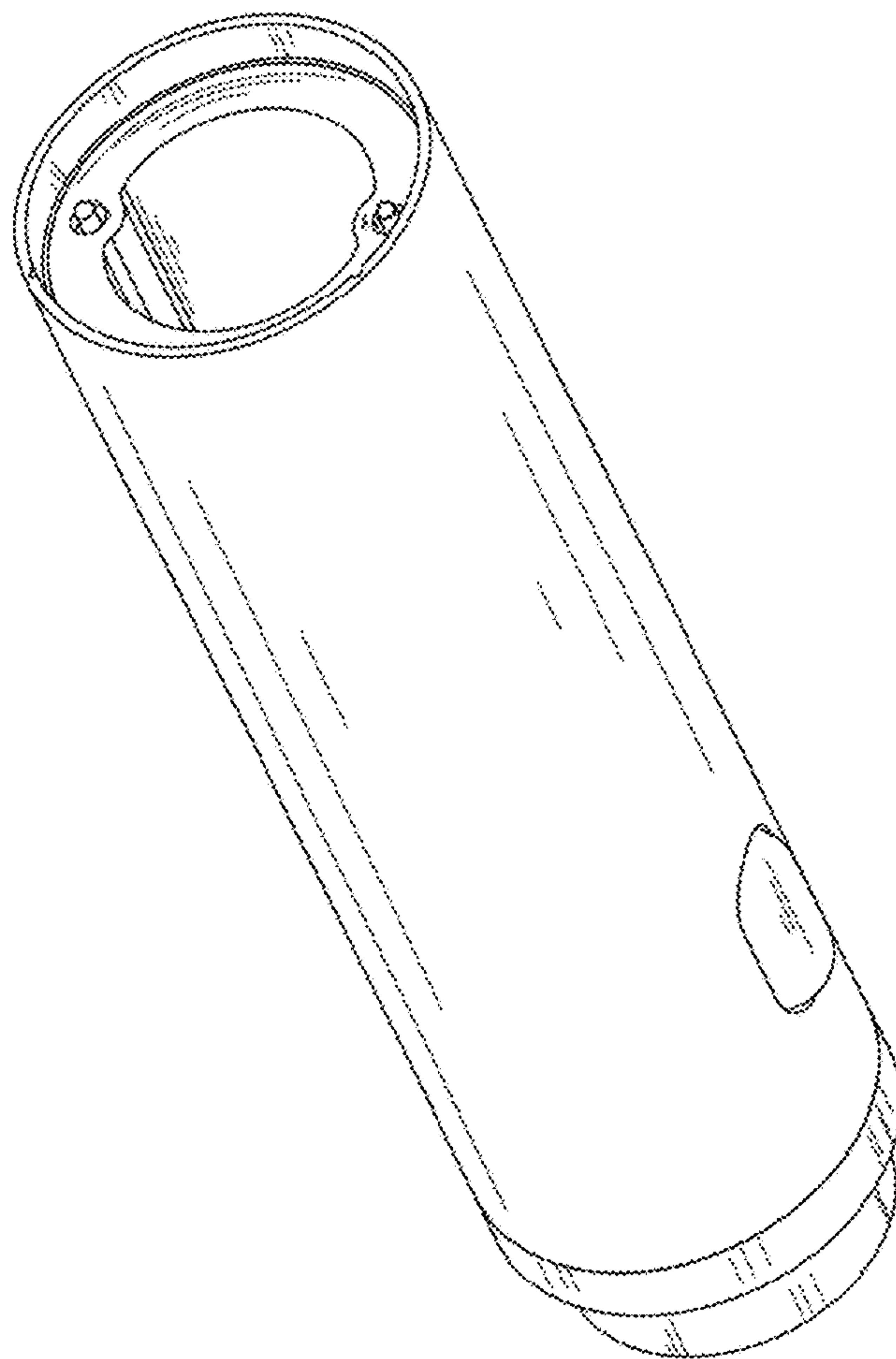


FIG. 1

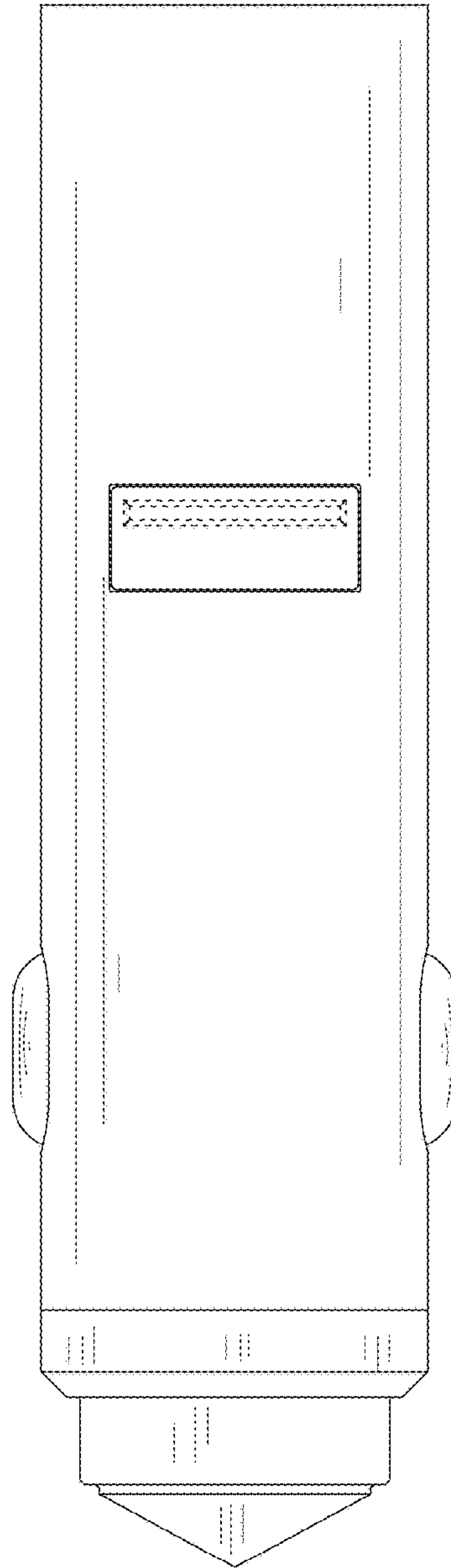


FIG. 2

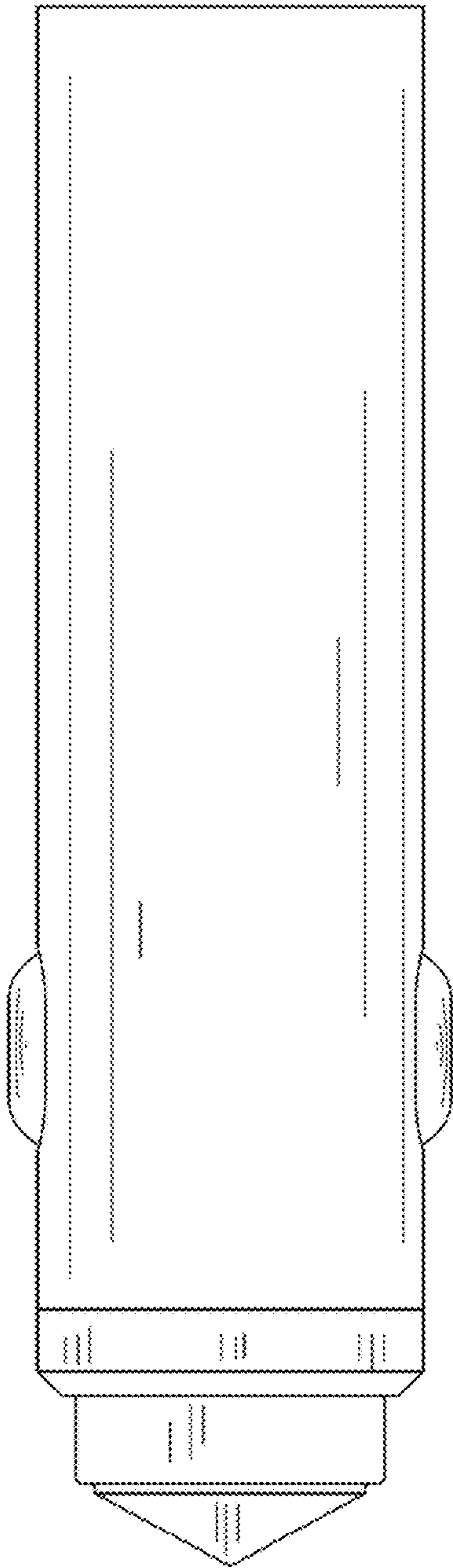


FIG. 3

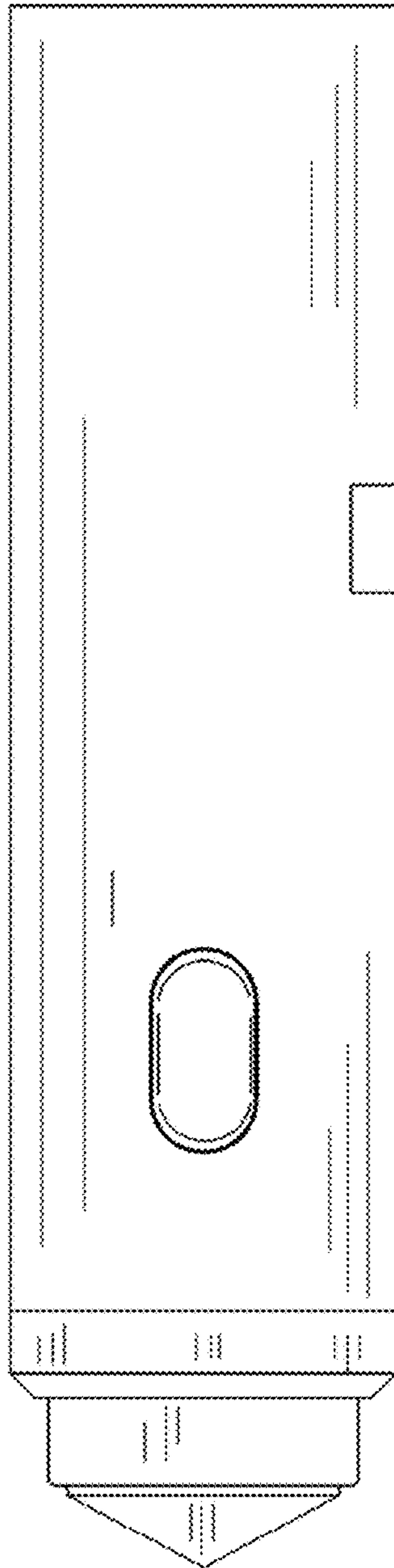


FIG. 4

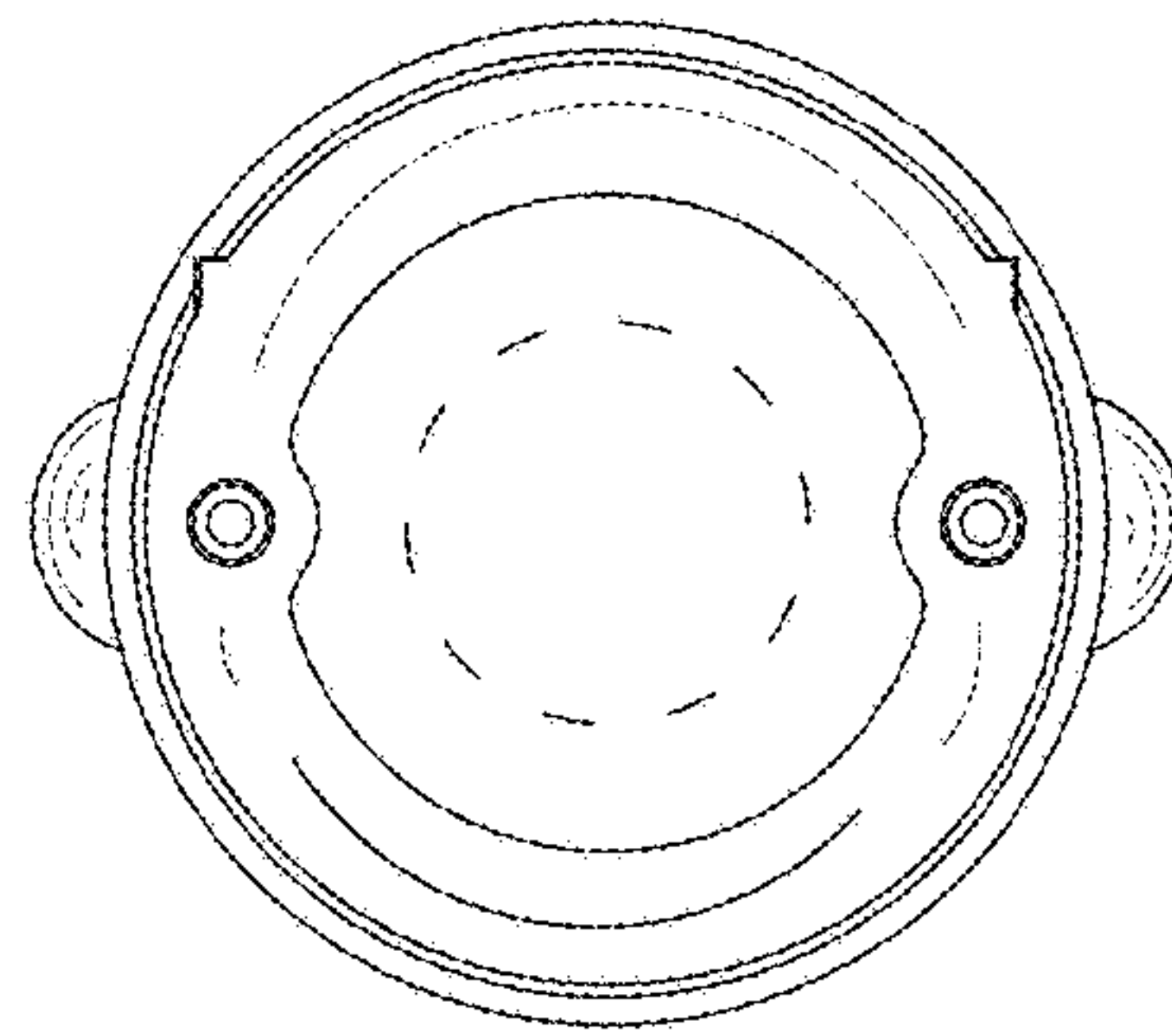


FIG. 5

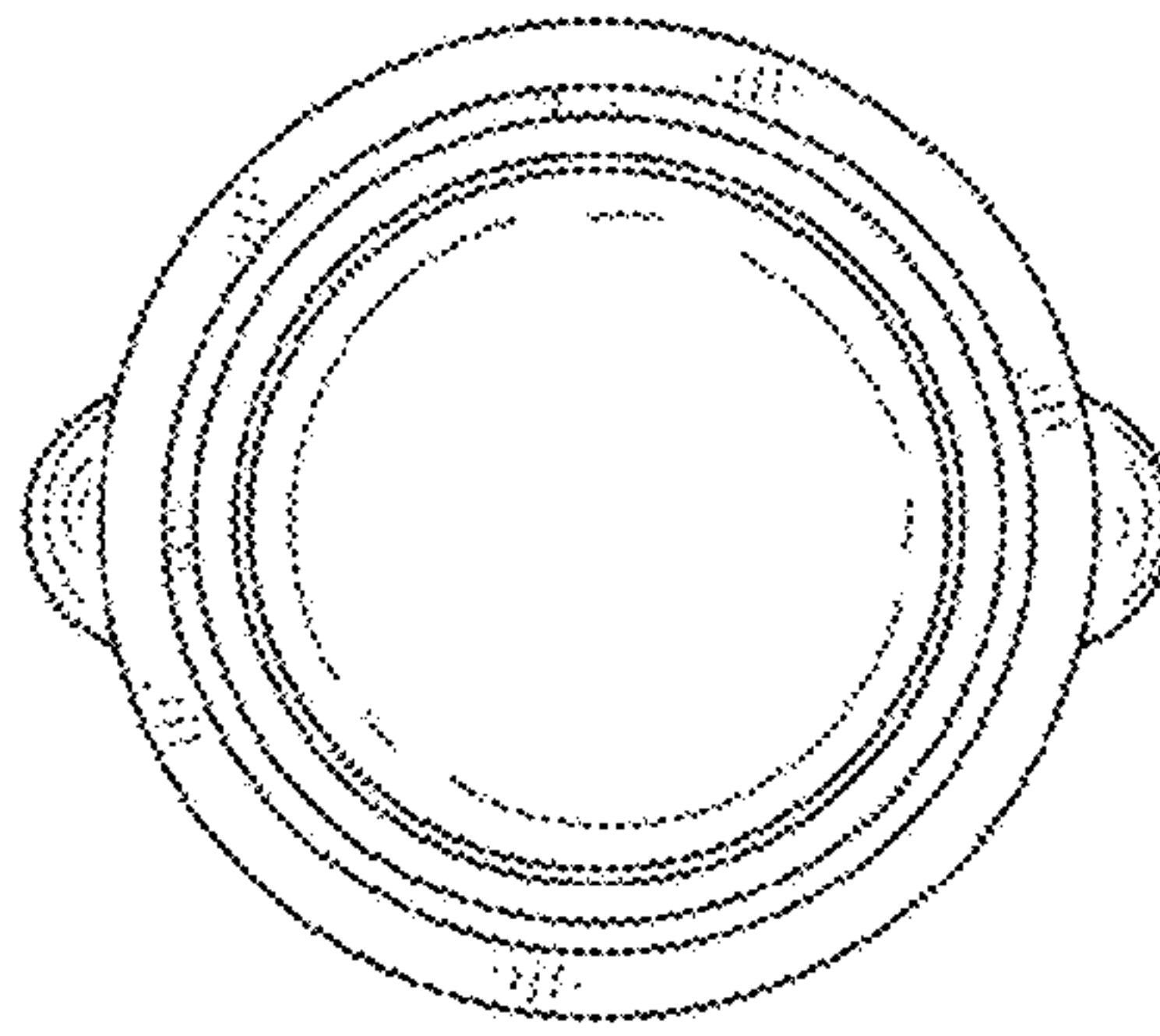


FIG. 6

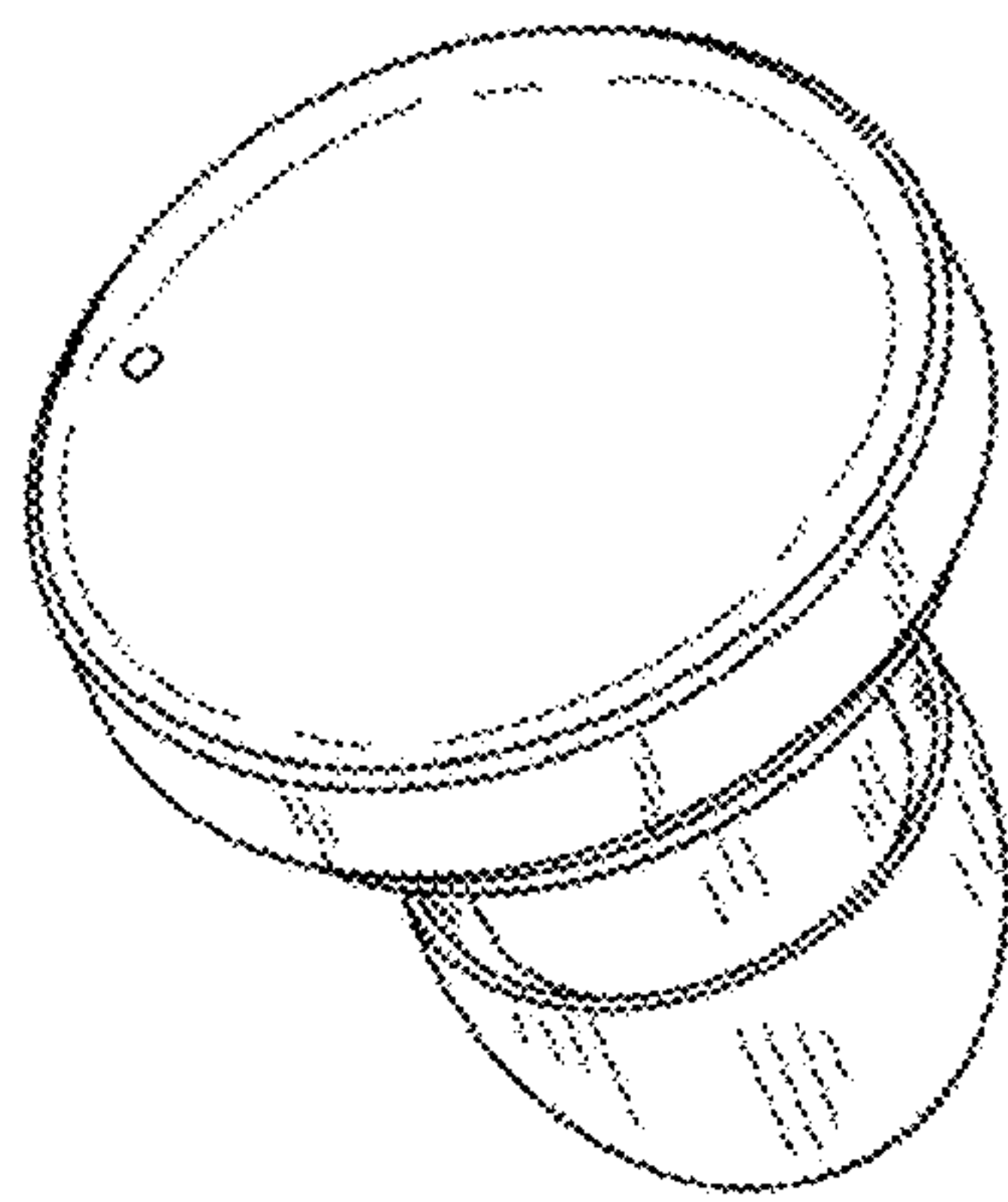


FIG. 7

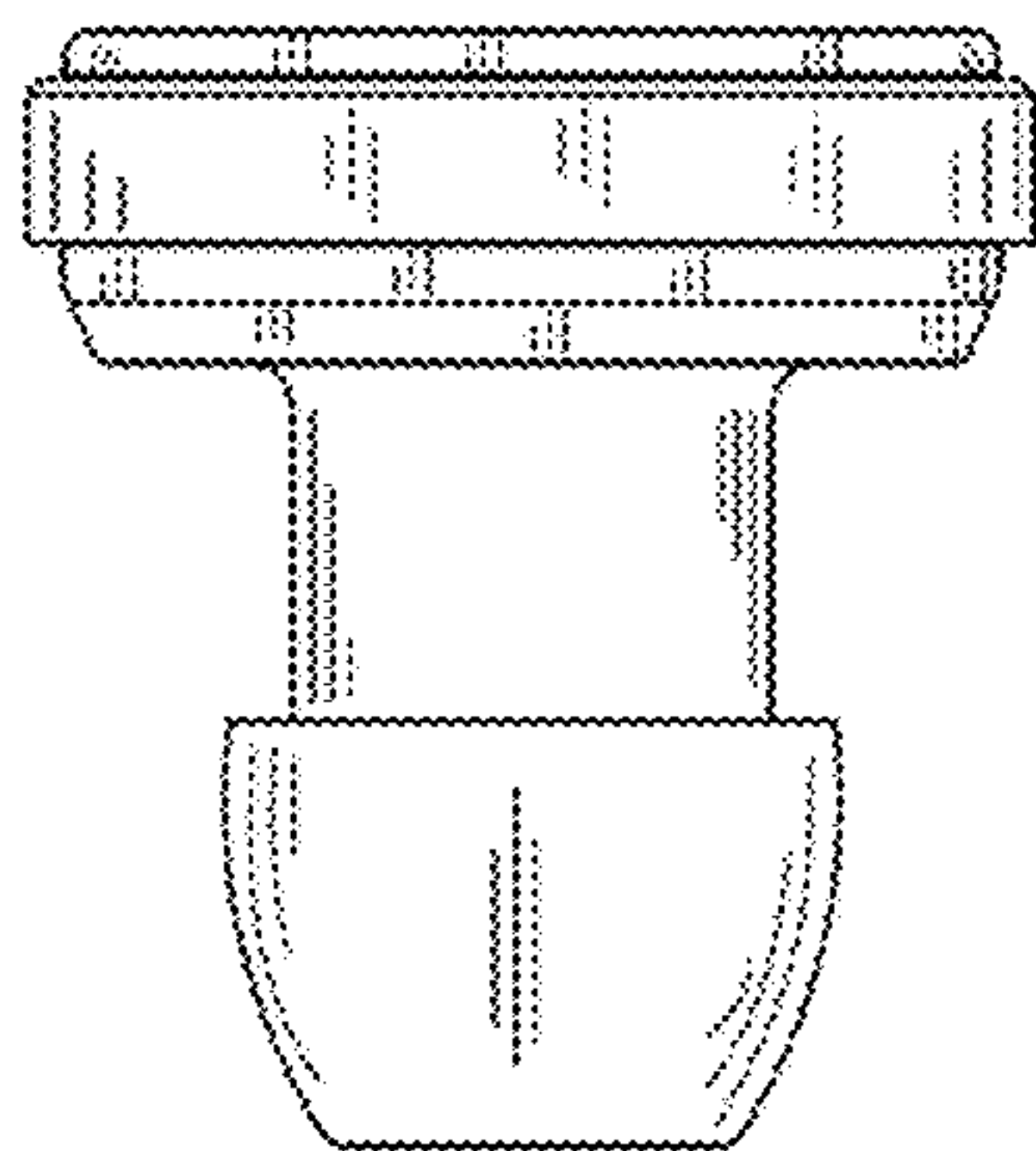


FIG. 8

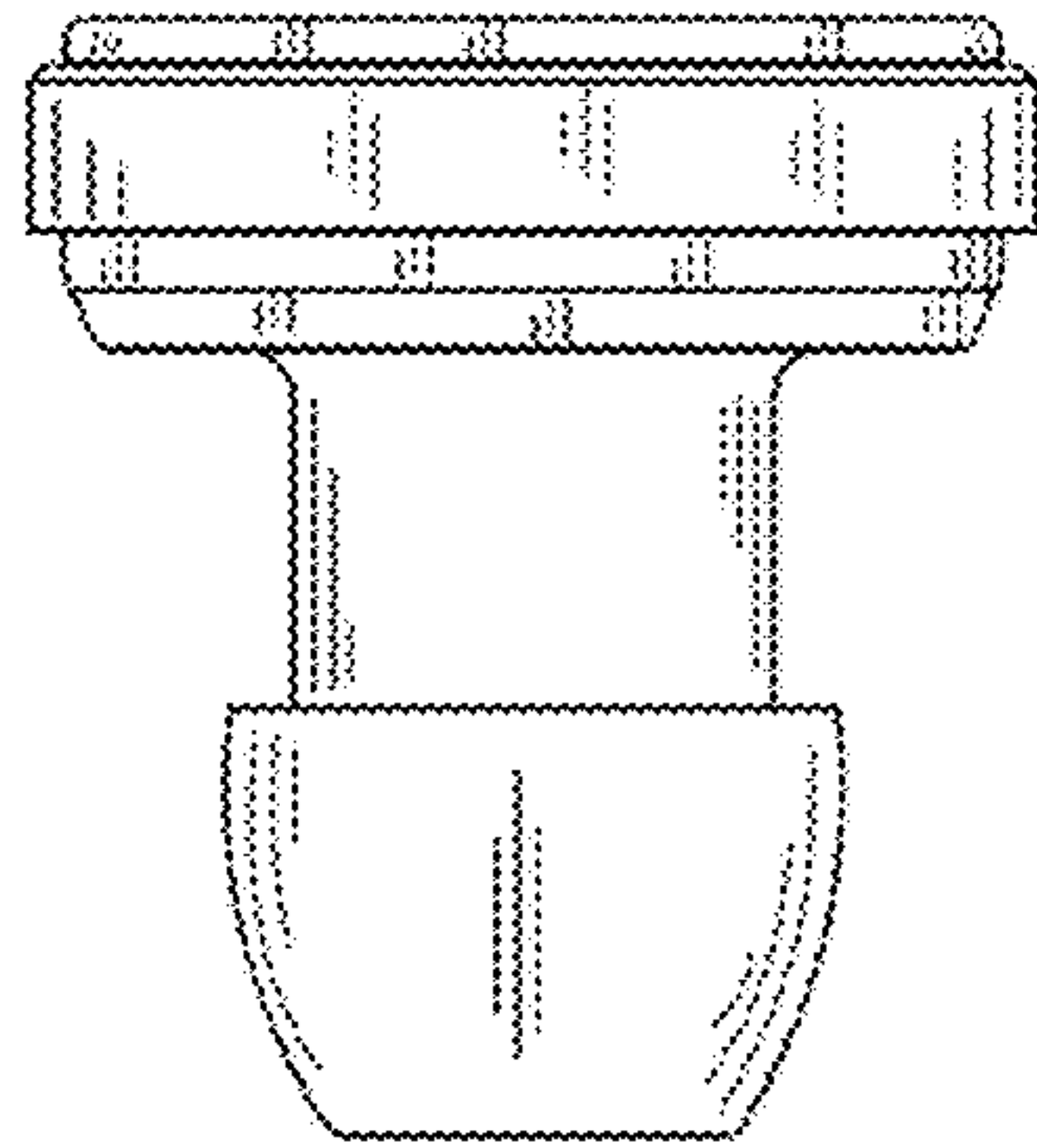


FIG. 9

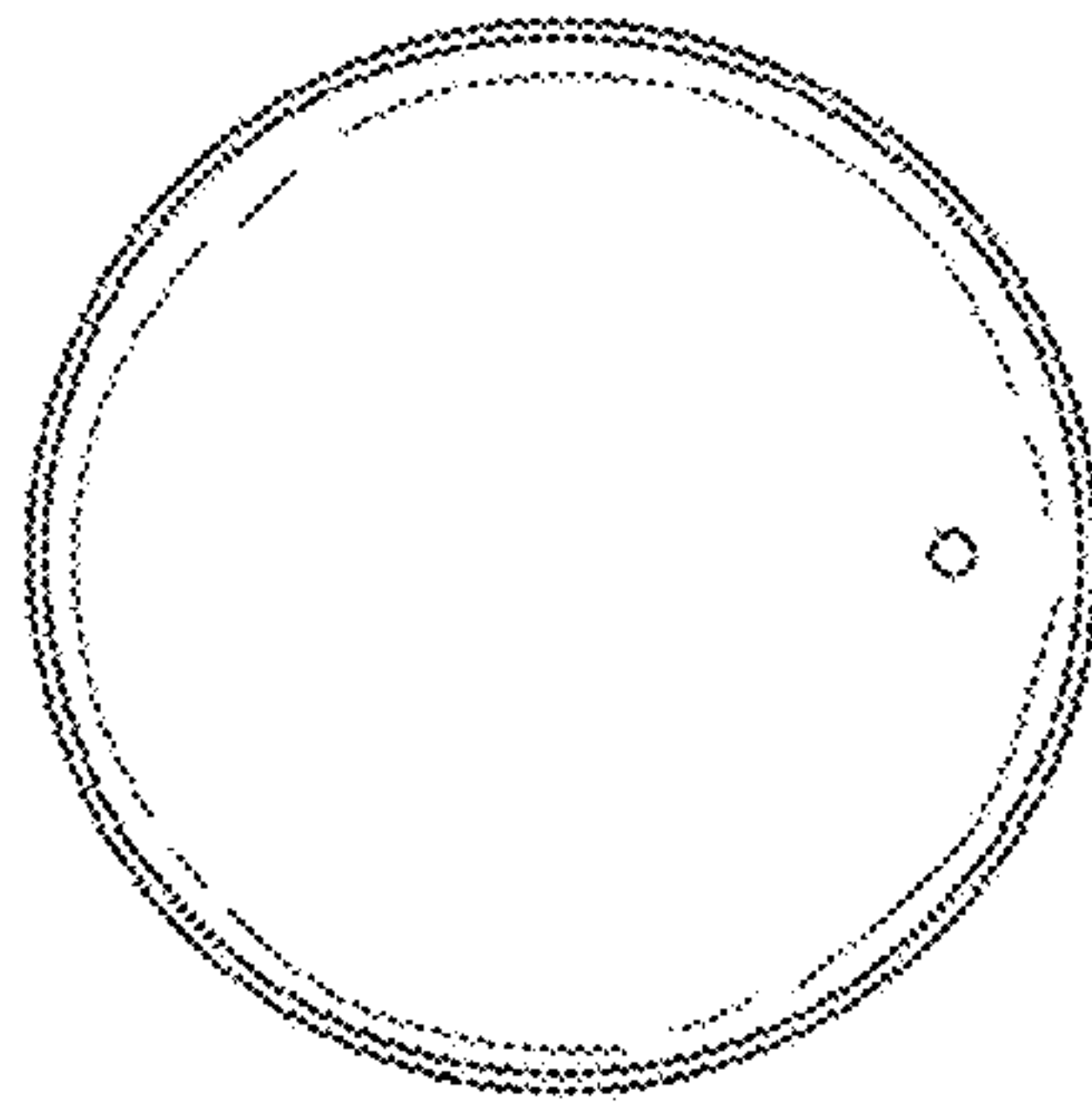


FIG. 10

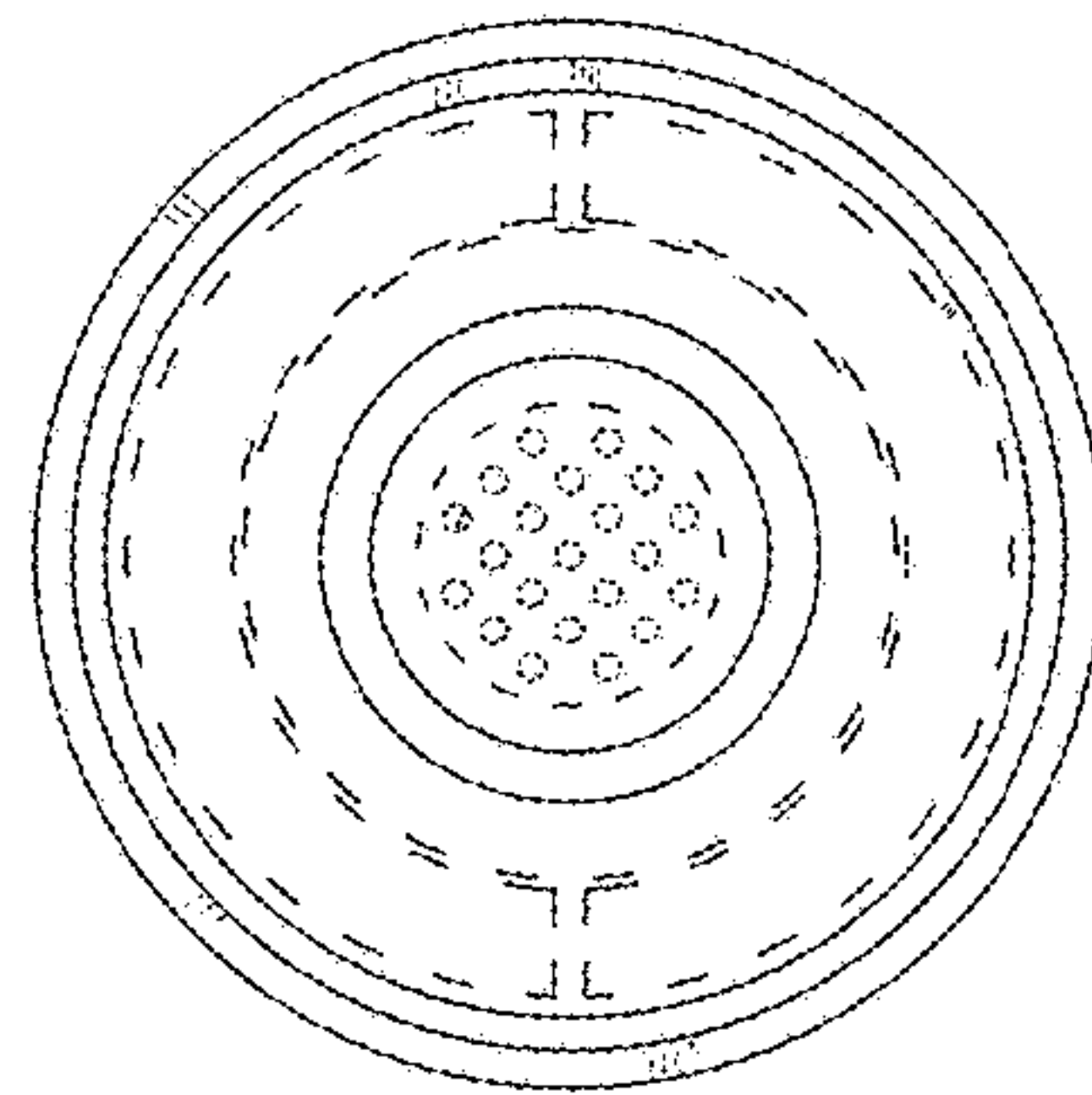


FIG. 11

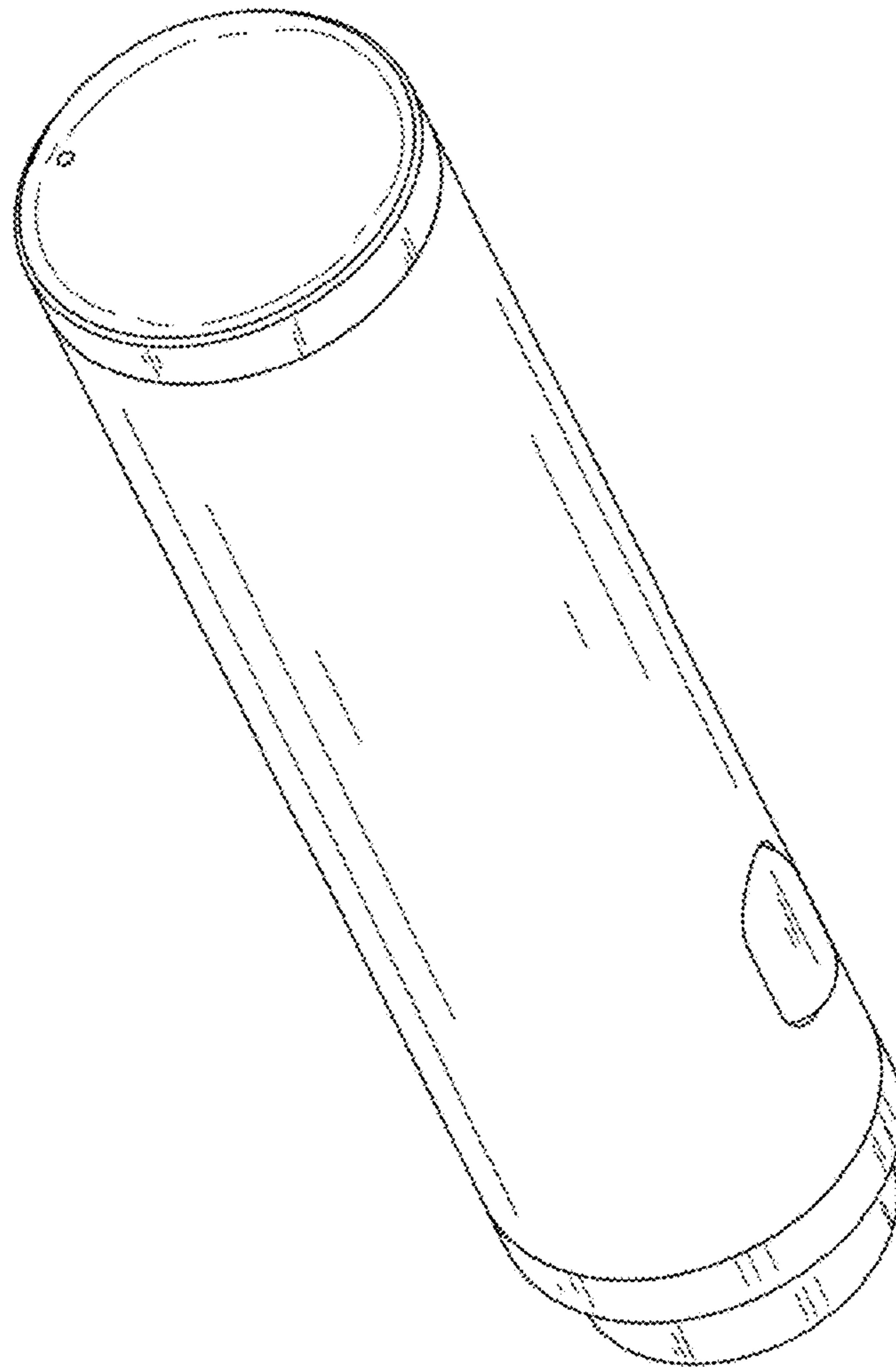


FIG. 12

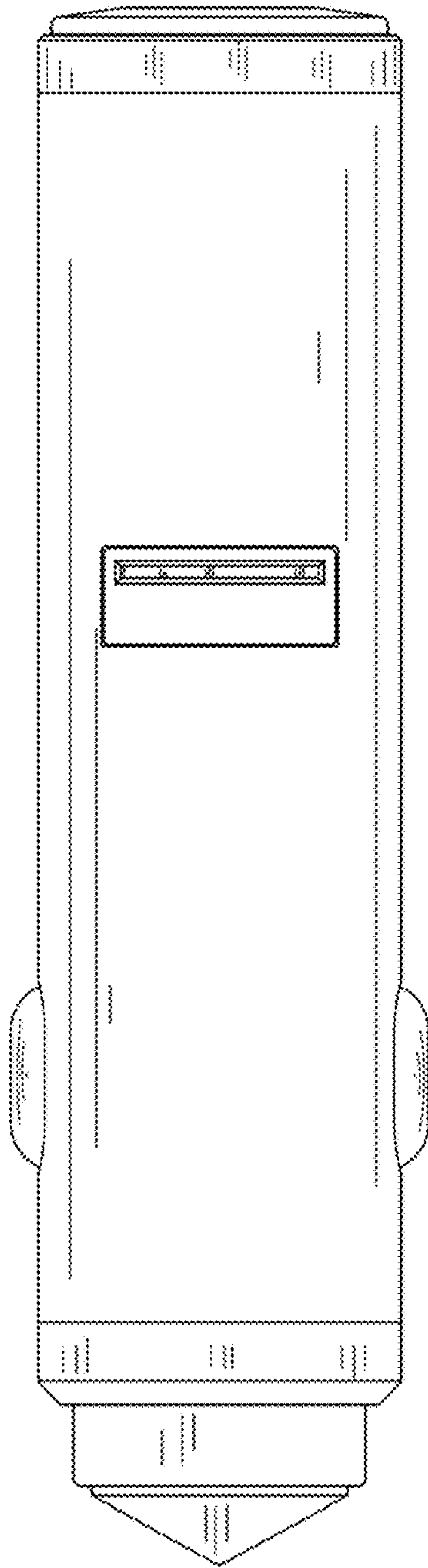


FIG. 13

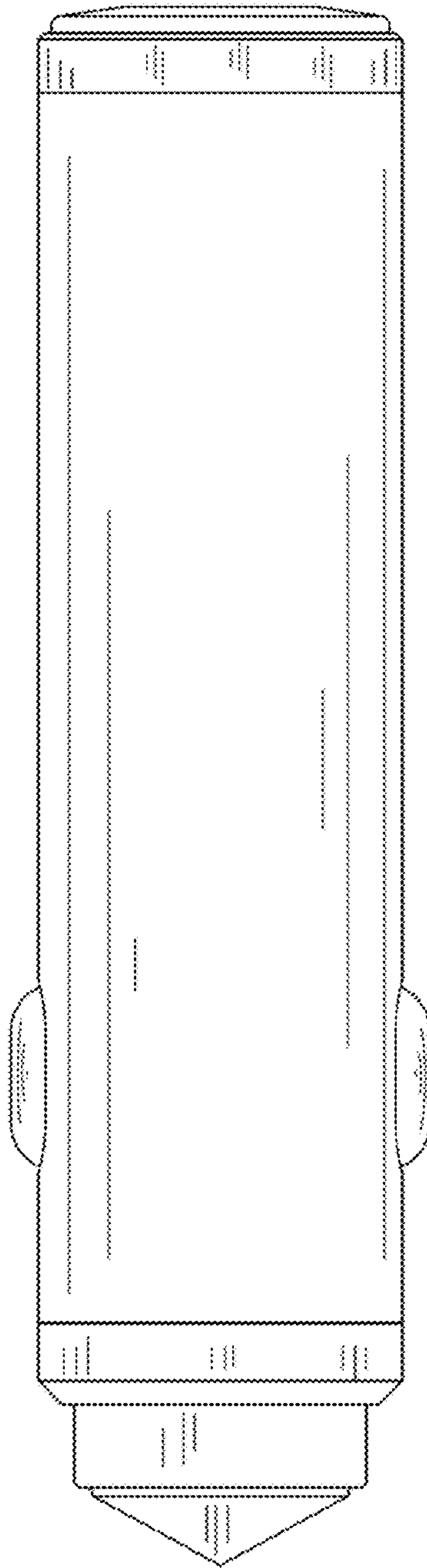


FIG. 14

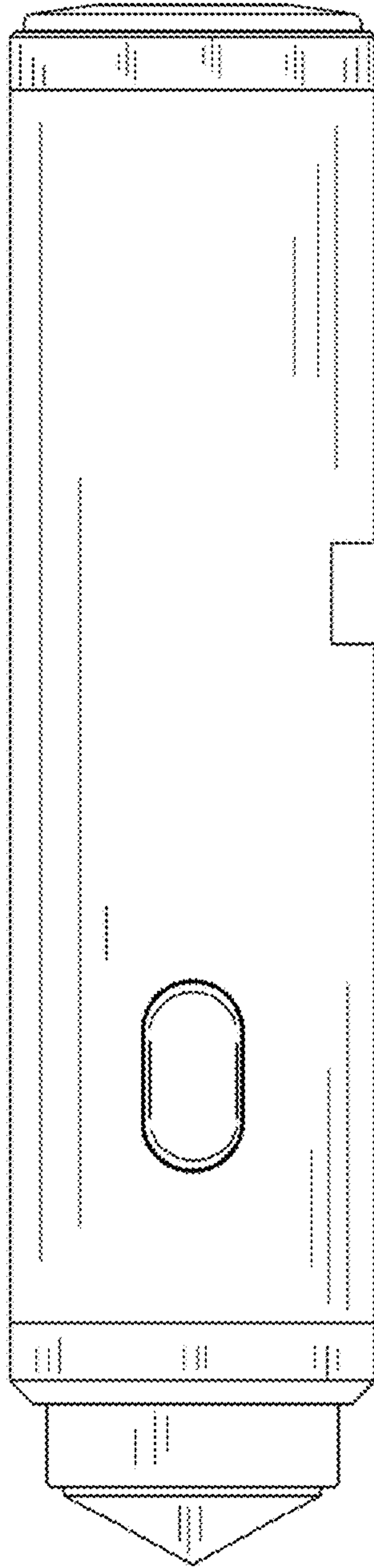


FIG. 15

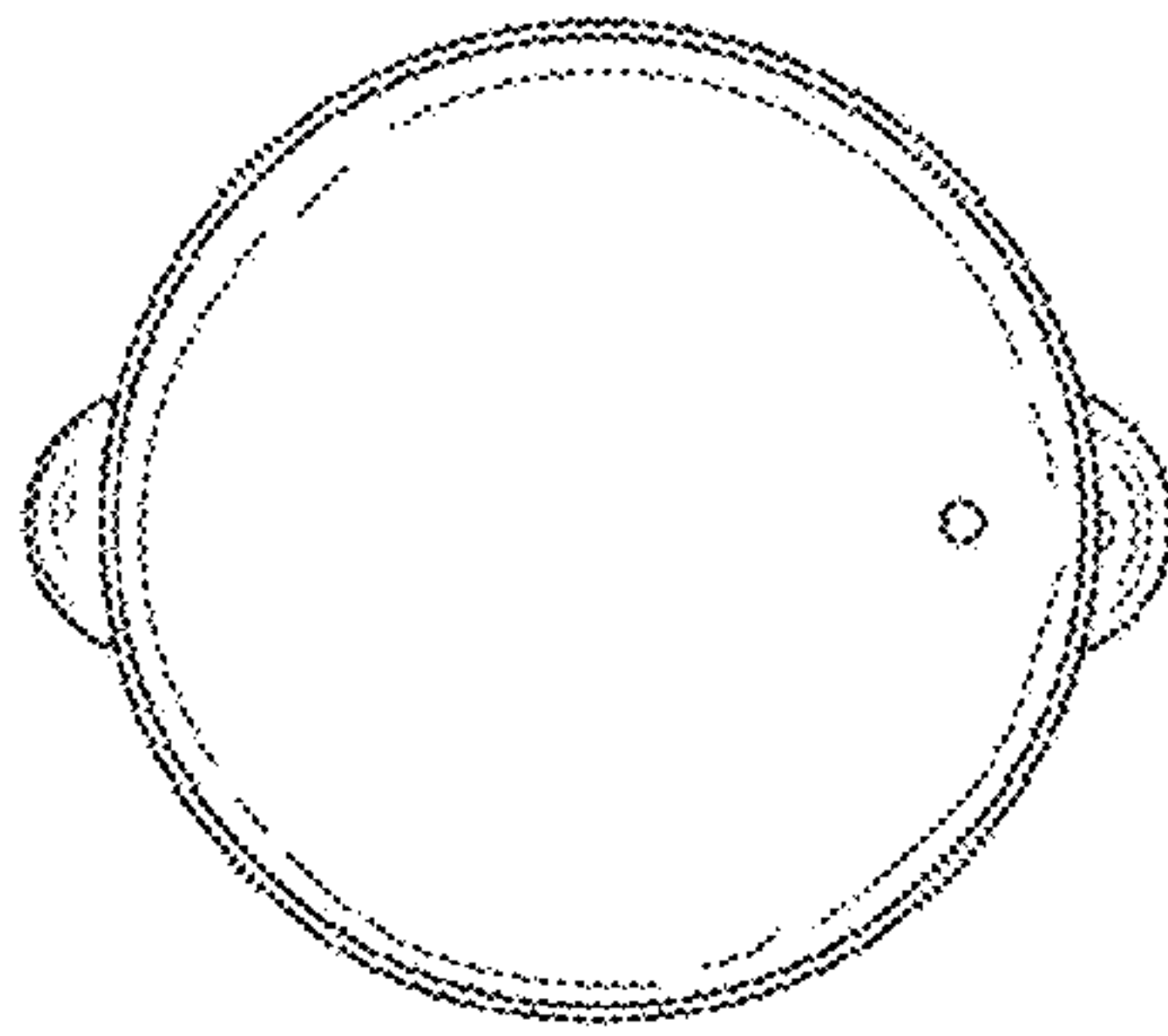


FIG. 16

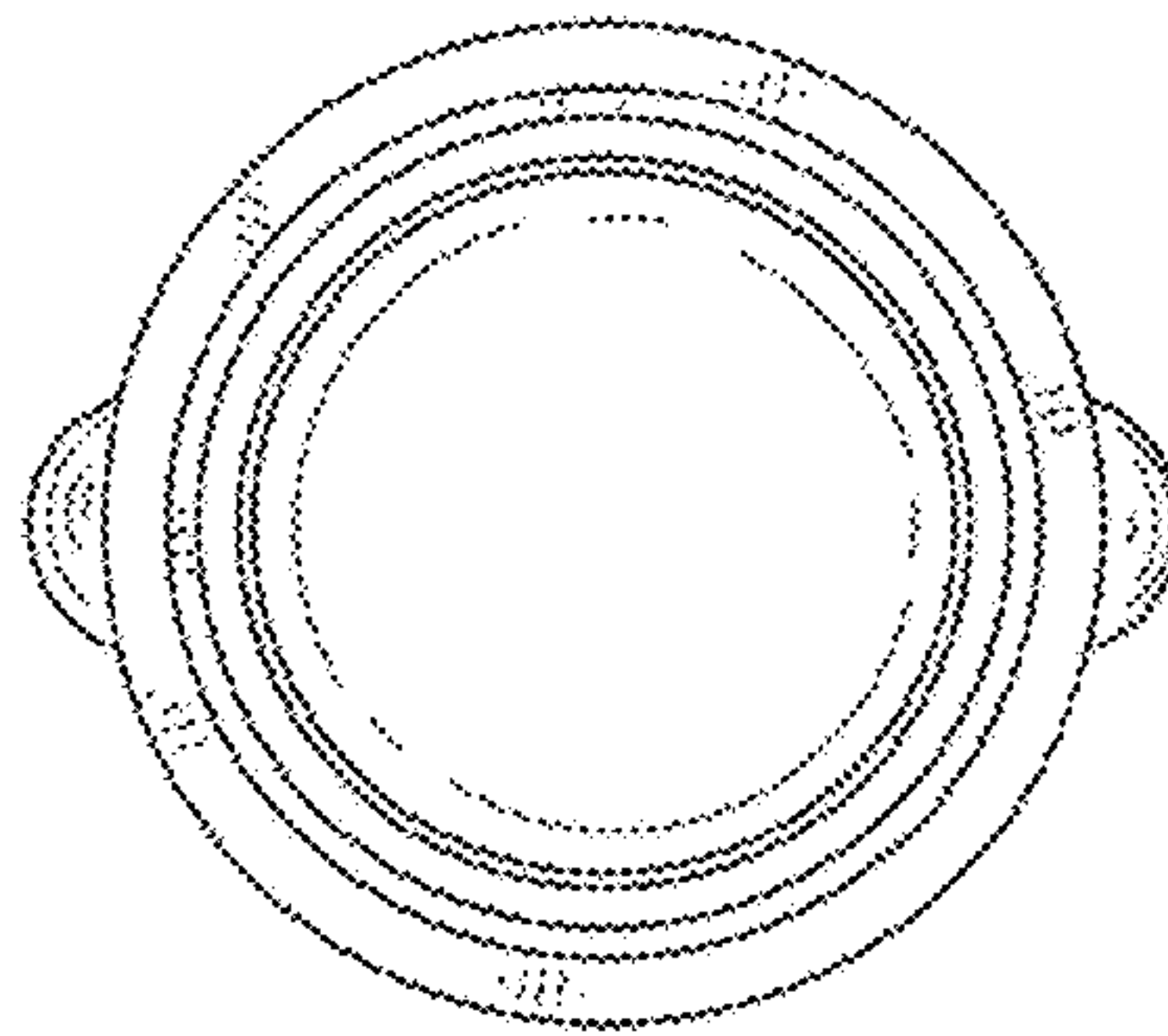


FIG. 17