

US00D867998S

(12) **United States Design Patent**  
**Gorretta et al.**

(10) **Patent No.:** **US D867,998 S**

(45) **Date of Patent:** **\*\* Nov. 26, 2019**

(54) **POWER STRIP**

(71) Applicant: **Datto, Inc.**, Norwalk, CT (US)

(72) Inventors: **Steven Gorretta**, Portland, OR (US);  
**Jeff Miller**, Portland, OR (US)

(73) Assignee: **DATTO, INC.**, Norwalk, CT (US)

(\*\*) Term: **15 Years**

(21) Appl. No.: **29/634,833**

(22) Filed: **Jan. 25, 2018**

(51) **LOC (12) Cl.** ..... **13-03**

(52) **U.S. Cl.**  
USPC ..... **D13/139.8**

(58) **Field of Classification Search**  
USPC ..... D13/108, 110, 123, 133, 137.1–137.4,  
D13/138.1–138.2, 139.1–139.8, 152, 154;  
D14/433

CPC .. H01R 25/00; H01R 25/006; H01R 13/6675;  
H01R 13/10; H01R 13/44; H01R 13/66;  
H01R 13/652; H01R 31/065; H01R  
31/00; H01R 11/00; H01R 9/00; H01H  
2207/00; H01H 2207/022  
See application file for complete search history.

(56) **References Cited**

**U.S. PATENT DOCUMENTS**

D662,056 S \* 6/2012 Lee ..... D13/139.8  
D775,081 S \* 12/2016 Xu ..... D13/139.6

D796,445 S \* 9/2017 Xu ..... D13/139.6  
D816,039 S \* 4/2018 Lu ..... D13/139.8  
D828,304 S \* 9/2018 Chen ..... D13/139.8  
D837,736 S \* 1/2019 Liao ..... D13/139.7

\* cited by examiner

*Primary Examiner* — Rosemary K Tarcza

*Assistant Examiner* — Christy M Nemeth

(74) *Attorney, Agent, or Firm* — Fay Sharpe LLP

(57) **CLAIM**

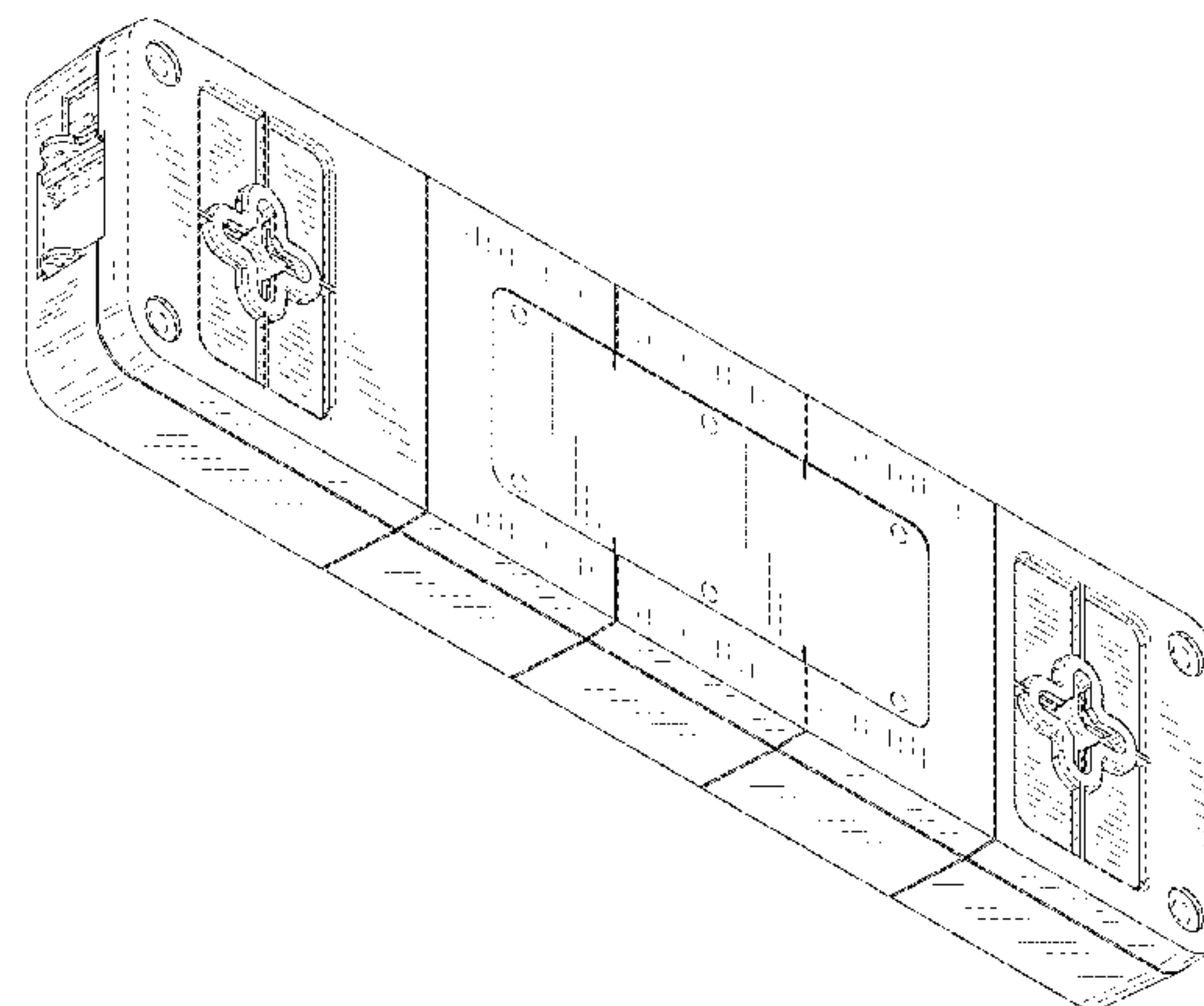
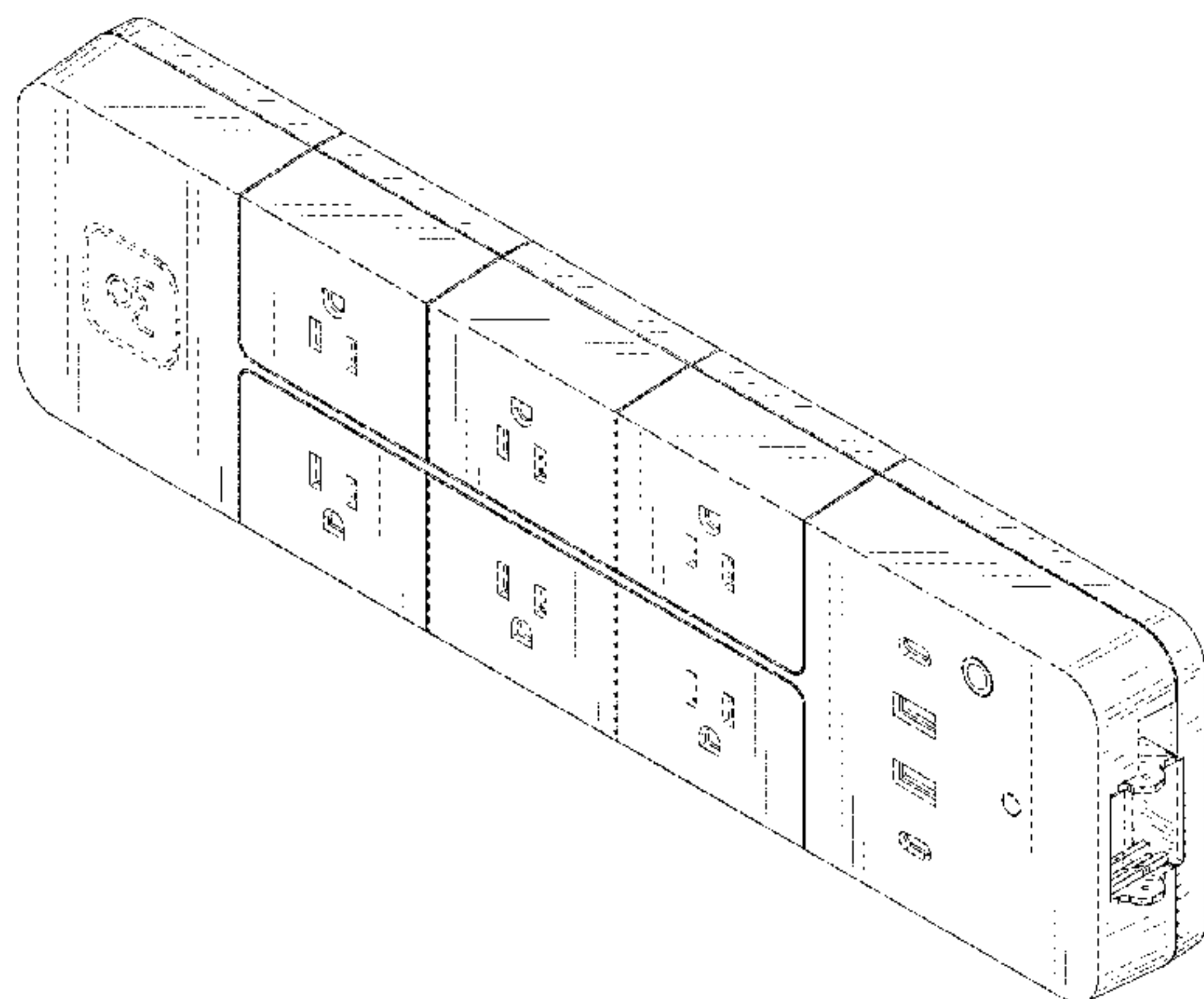
The ornamental design for a power strip, as shown and described.

**DESCRIPTION**

FIG. 1 is a top perspective view of a power strip;  
FIG. 2 is a bottom perspective view thereof;  
FIG. 3 is a top view thereof;  
FIG. 4 is a bottom view thereof;  
FIG. 5 is a left side view thereof;  
FIG. 6 is a right side view thereof;  
FIG. 7 is a front view thereof; and,  
FIG. 8 is a back view thereof.

The broken lines in the drawings are for the purpose of illustration portions of the power strip that form no part of the claimed design.

**1 Claim, 6 Drawing Sheets**



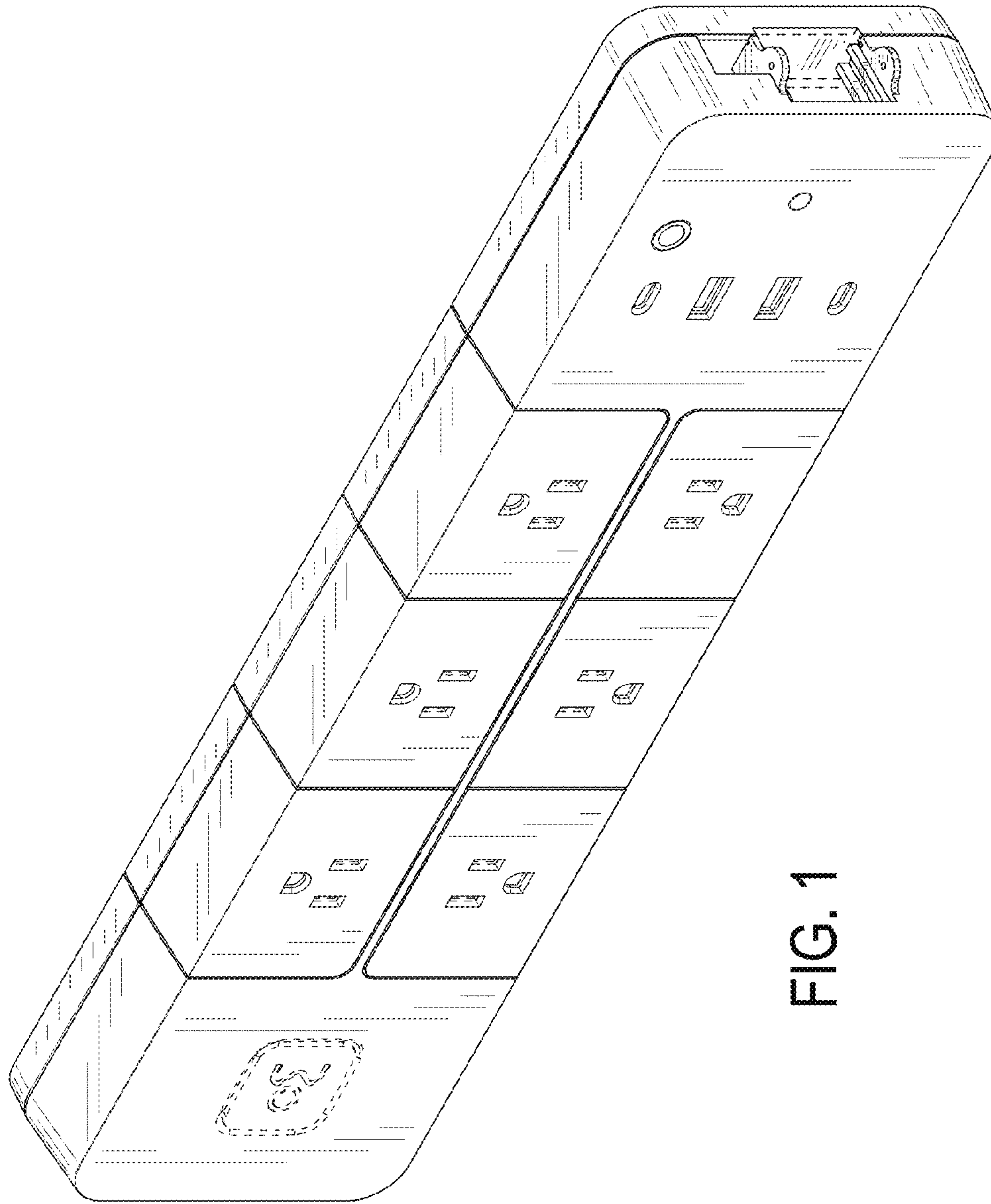


FIG. 1

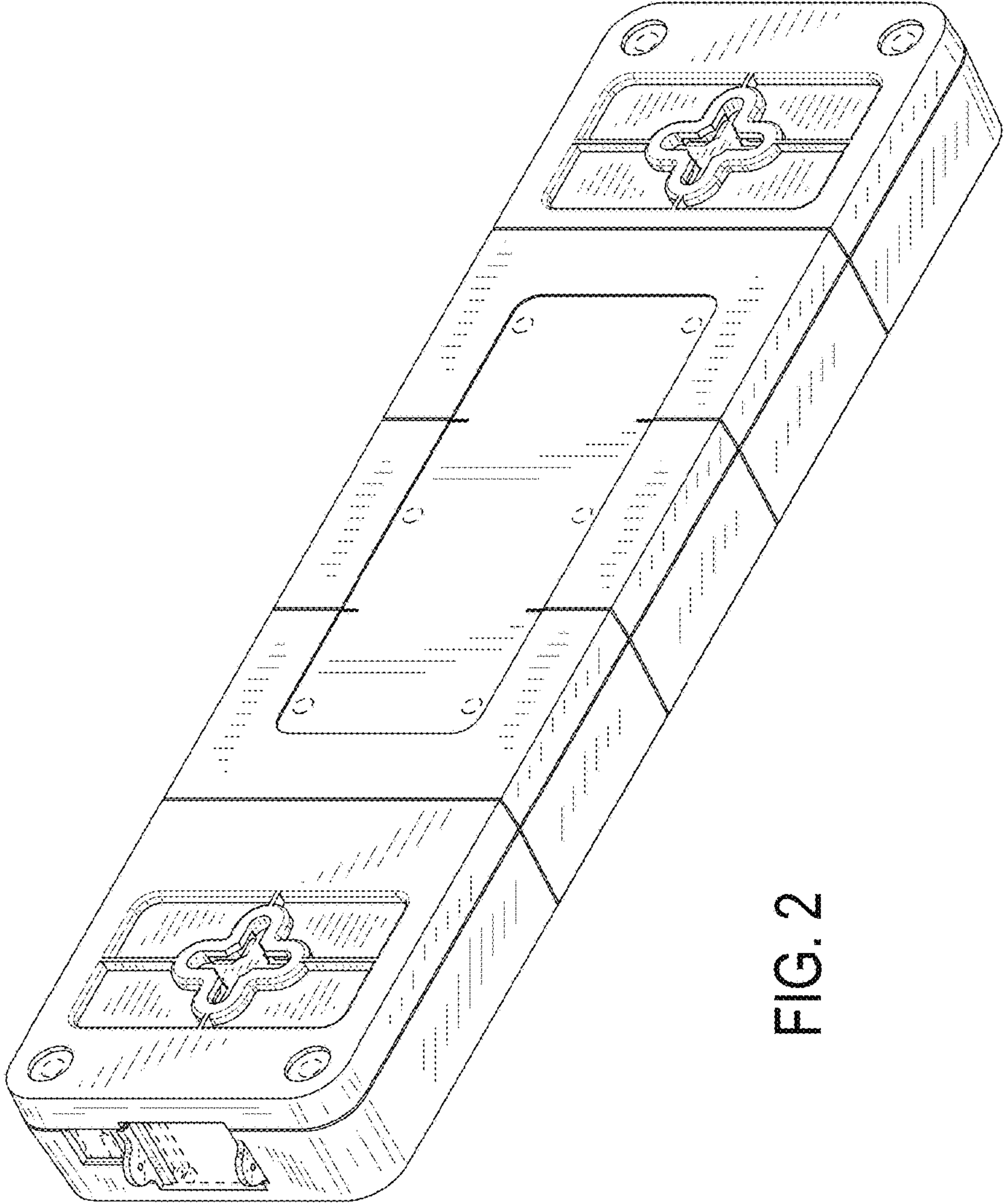


FIG. 2

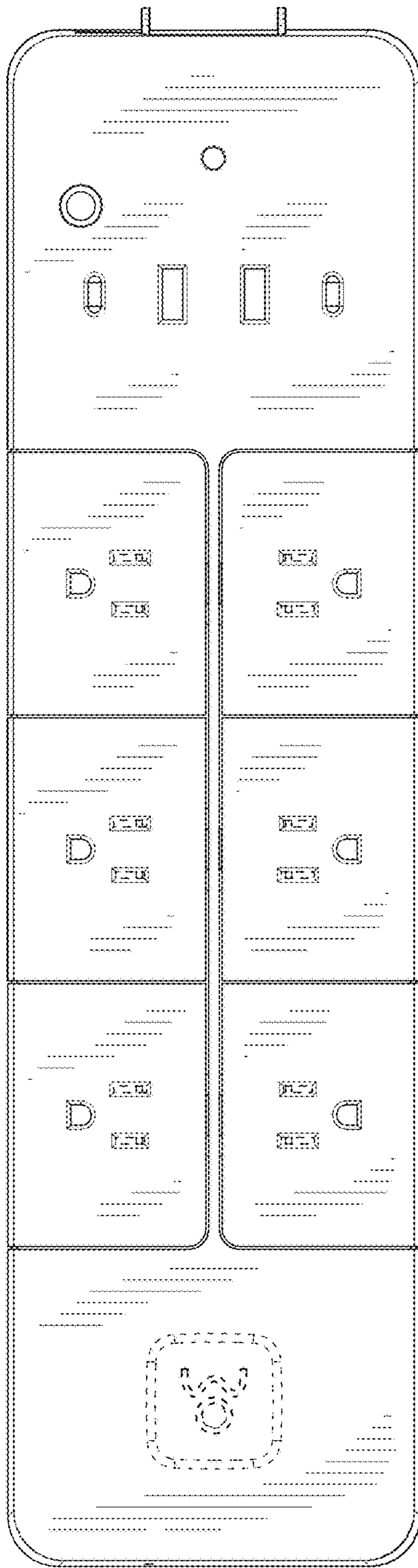


FIG. 3



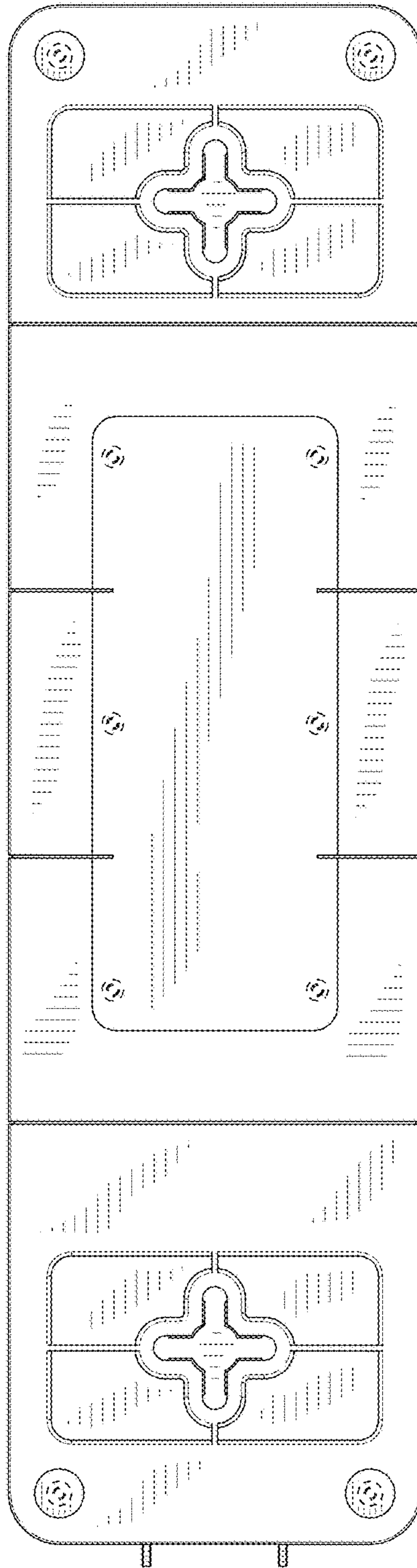


FIG. 4

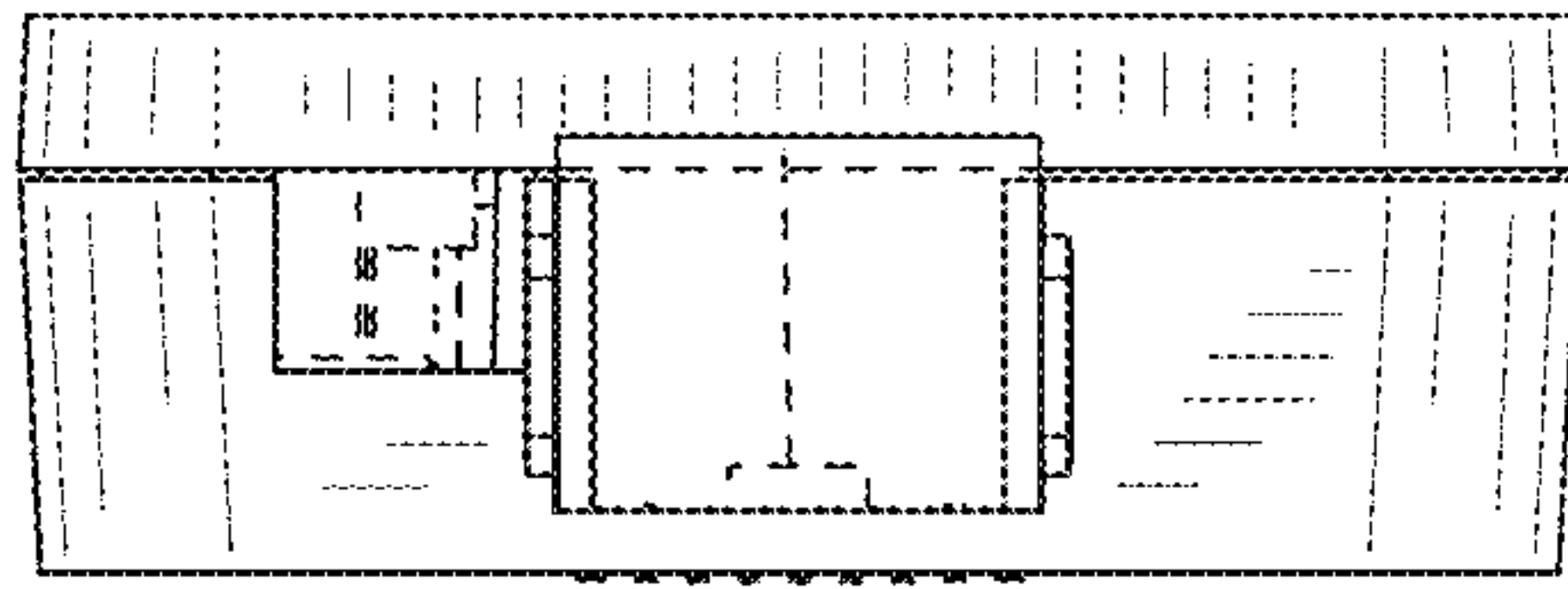


FIG. 6

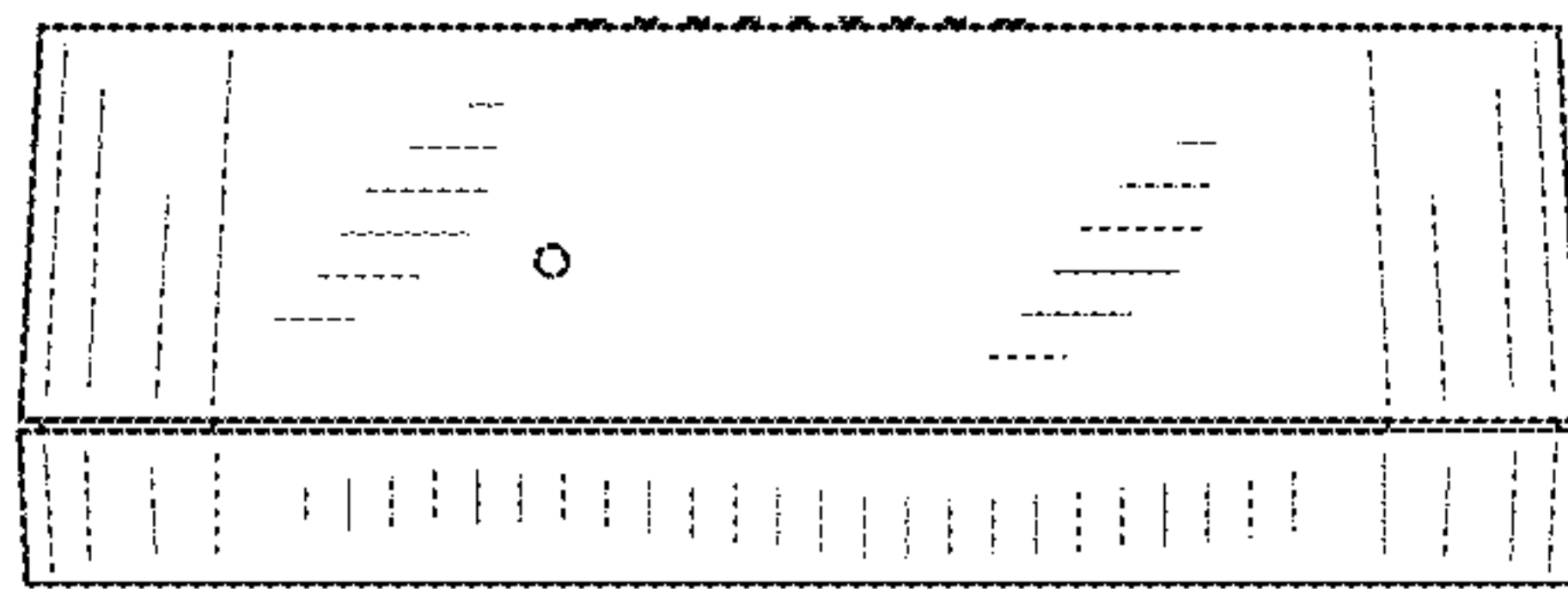


FIG. 5

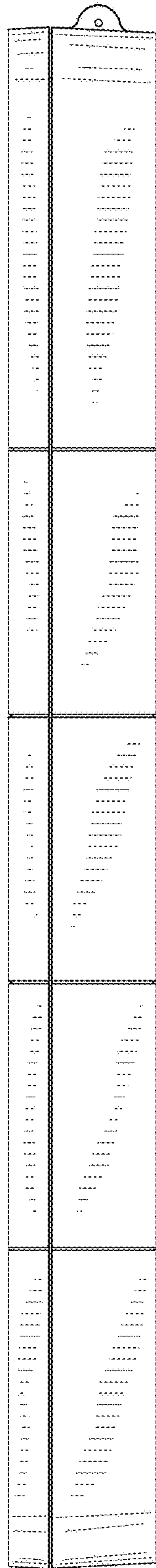


FIG. 7

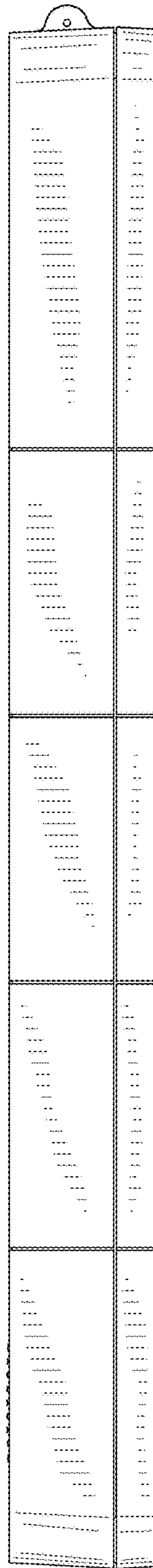


FIG. 8