

US00D867997S

(12) **United States Design Patent**
Knapp et al.

(10) **Patent No.:** **US D867,997 S**

(45) **Date of Patent:** **** Nov. 26, 2019**

(54) **POWER BEAM**

(71) Applicant: **Tangram Studio LLC**, Santa Fe Springs, CA (US)

(72) Inventors: **Jeremy Knapp**, Los Angeles, CA (US);
Charlotte Wiederholt, Los Angeles, CA (US)

(73) Assignee: **TANGRAM STUDIO, LLC**, Santa Fe Springs, CA (US)

(**) Term: **15 Years**

(21) Appl. No.: **29/647,794**

(22) Filed: **May 15, 2018**

(51) **LOC (12) Cl.** **13-03**

(52) **U.S. Cl.**
USPC **D13/139.4**

(58) **Field of Classification Search**
USPC D13/107, 108, 110, 123, 133,
D13/137.1-137.4, 138.1-138.2,
D13/139.1-139.8, 151-156, 173, 177,
D13/184; D14/432, 433, 435.1
CPC H01R 11/00; H01R 9/00; H01R 13/00;
H01R 13/04; H01R 13/10; H01R
13/6666; H01R 13/6675; H01R 13/5845;
H01R 13/72; H01R 13/46; H01R 25/00;
H01R 25/006; H01R 31/06; H01R 24/28;
H01H 2207/00; H01H 2207/022; H01B
7/2806

See application file for complete search history.

(56) **References Cited**

U.S. PATENT DOCUMENTS

D334,562 S * 4/1993 Maloney D13/155
D352,277 S * 11/1994 Olsen D13/173
D363,701 S * 10/1995 Paquette D13/154
6,089,878 A * 7/2000 Meng H01R 12/7082
439/74
7,220,128 B1 * 5/2007 Hicks H01R 25/00
439/32

D596,929 S * 7/2009 Lawrence D8/356
7,717,738 B2 * 5/2010 Mabry H01R 25/003
439/501
D630,173 S * 1/2011 Donowho D13/184
D632,660 S * 2/2011 Donowho D13/184
7,982,335 B2 * 7/2011 Aldag H01R 25/142
307/11
8,187,028 B2 * 5/2012 Feigl H05K 7/1457
439/540.1
D692,837 S * 11/2013 Knapp D13/139.2
(Continued)

OTHER PUBLICATIONS

Harborstonesystem.com. Published Jun. 21, 2019. Retrieved from the internet at <<http://harborstonesystem.com/>>, Jun. 21, 2019. 1 page. (Year: 2019).*

(Continued)

Primary Examiner — Rosemary K Tarcza

Assistant Examiner — Christy M Nemeth

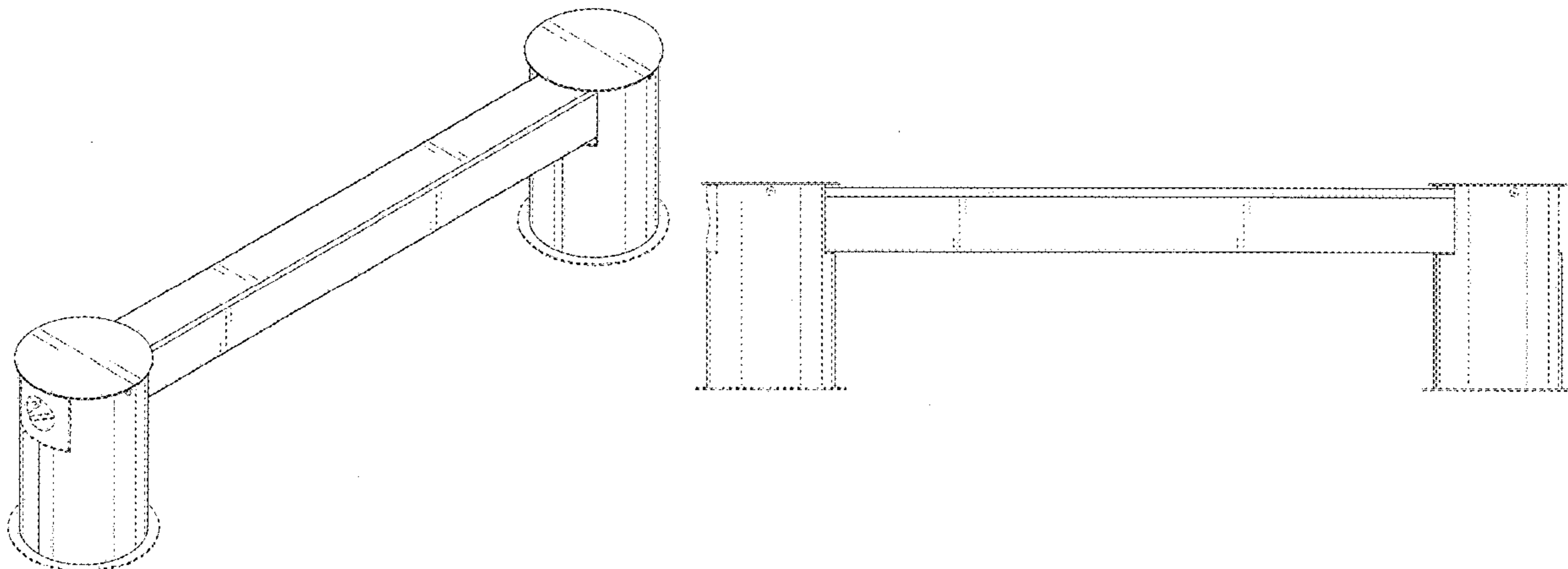
(57) **CLAIM**

We claim the ornamental design for a power beam, as shown and described.

DESCRIPTION

FIG. 1 is a top-front perspective view of the power beam showing our new design;
FIG. 2 is a front view of the power beam;
FIG. 3 is a rear view of the power beam;
FIG. 4 is a side view of the power beam;
FIG. 5 is another side view of the power beam;
FIG. 6 is a top view of the power beam; and,
FIG. 7 is a bottom view of the power beam.
The broken lines in the drawings are for the purpose of illustrating portions of the power beam and environmental subject matter that form no part of the claimed design. The unshaded surfaces bounded by the broken lines form no part of the claimed design.

1 Claim, 6 Drawing Sheets



(56)

References Cited

U.S. PATENT DOCUMENTS

8,616,921 B2 * 12/2013 Byrne H01R 25/00
439/214
9,583,902 B2 * 2/2017 Irons H05K 7/1492
D833,974 S * 11/2018 Tyrrell D13/139.2
D834,768 S * 11/2018 Sarver D30/160
10,181,675 B1 * 1/2019 Anderson A47B 95/002
D845,244 S * 4/2019 Andersson D13/139.2
2005/0115152 A1 * 6/2005 Levesque E05D 15/505
49/192

OTHER PUBLICATIONS

Kimball.com: Kimball Xsede Power Beam. Published Jun. 21, 2019. Retrieved from the internet at <<https://www.kimball.com/furniture/Xsede-Power-Beam/>>, Jun. 21, 2019. 1 page. (Year: 2019).*

Swivelfly.com: Power Beam. Published Jun. 21, 2019. Retrieved from the internet at <<http://www.swivelfly.com/power-options/>>, Jun. 21, 2019. 1 page. (Year: 2019).*

* cited by examiner

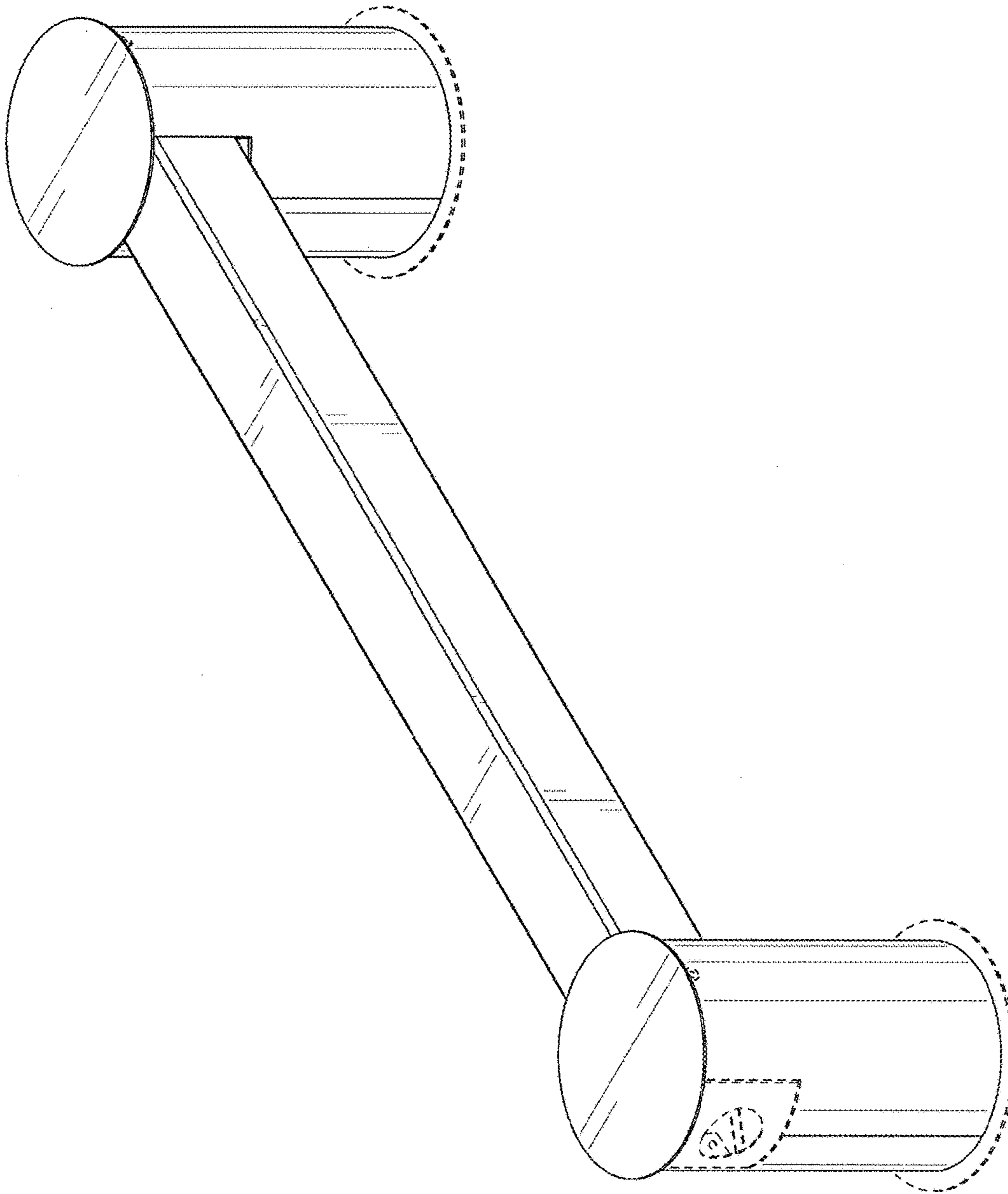


FIG. 1

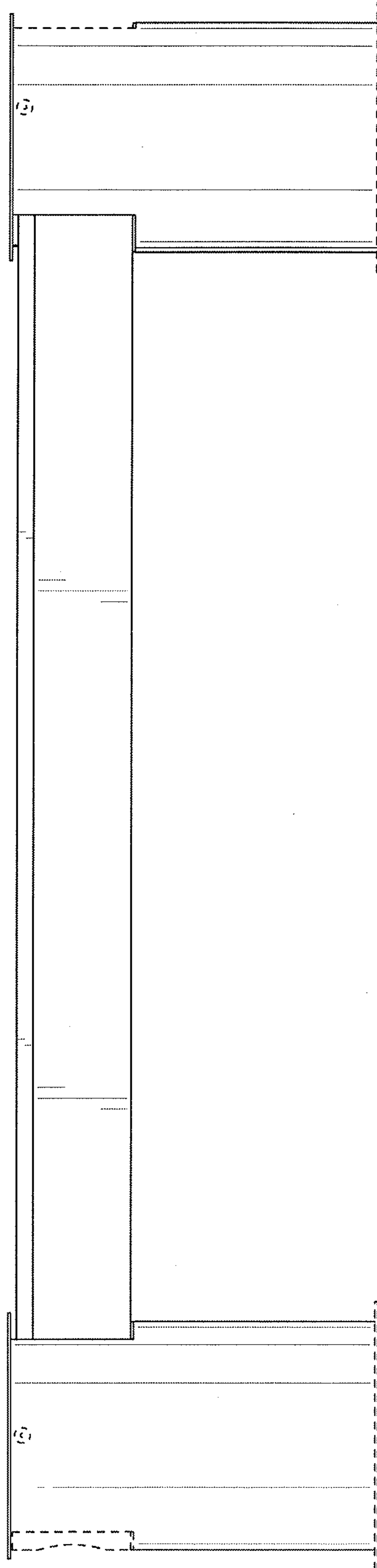


FIG. 2

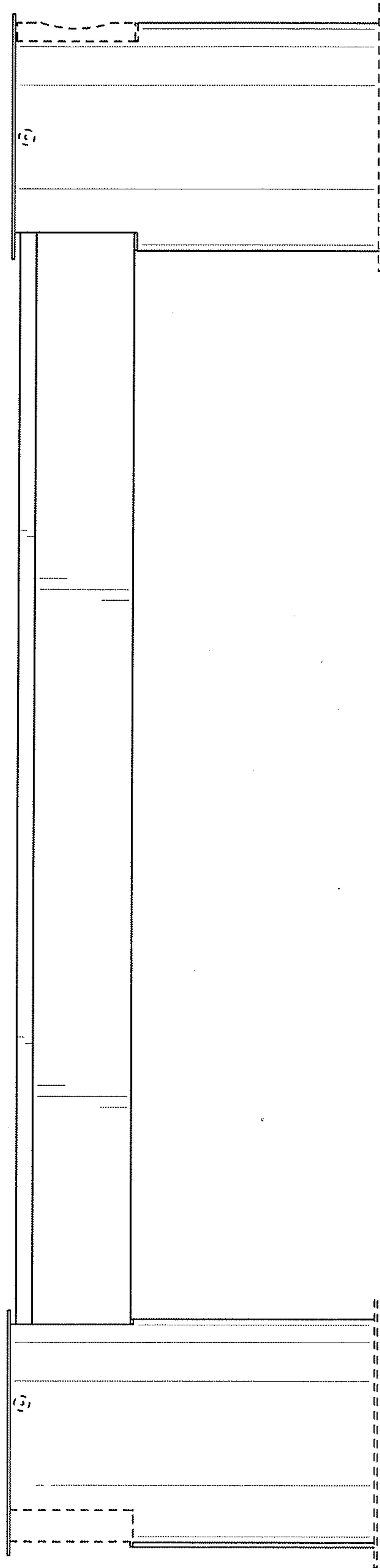


FIG. 3

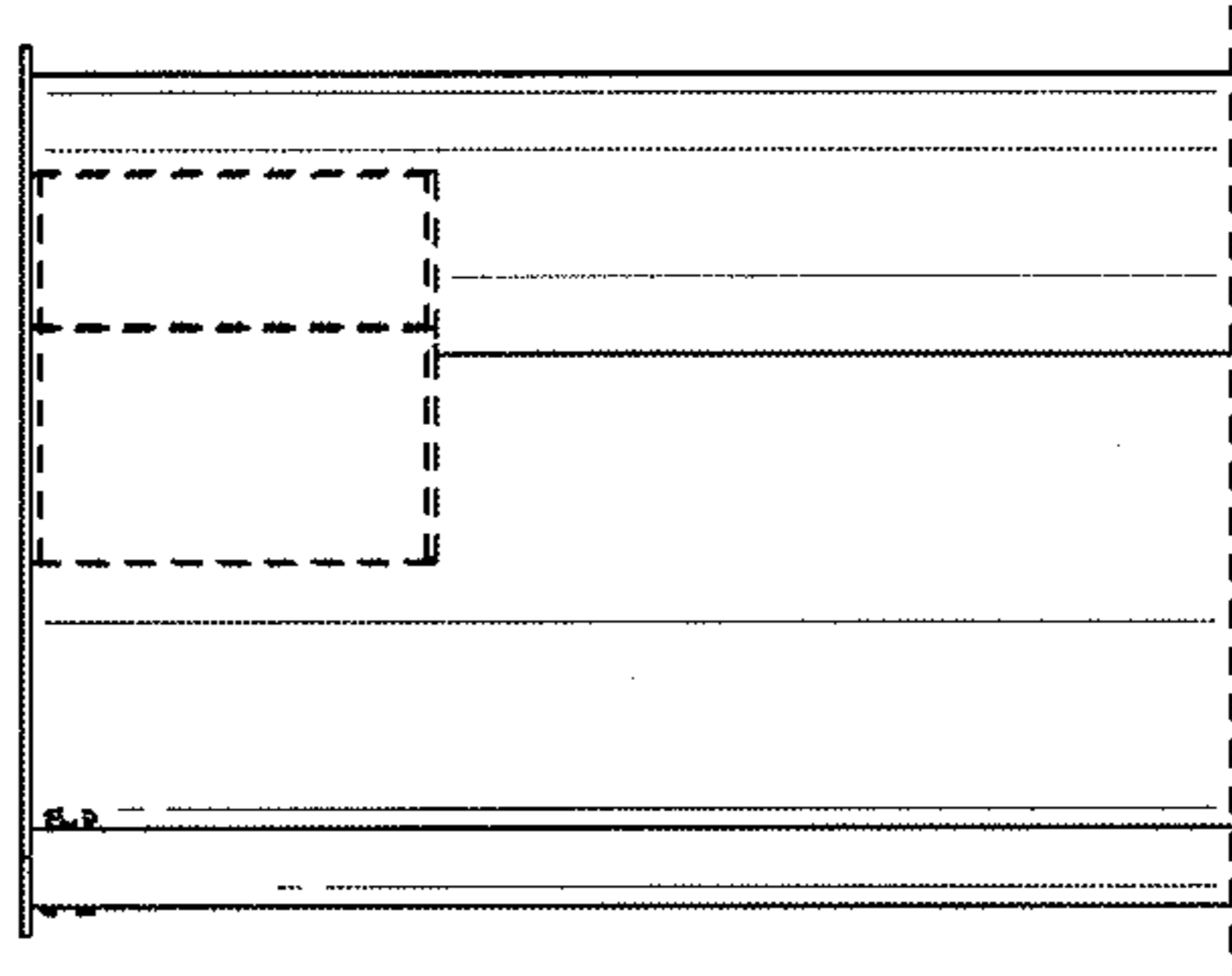


FIG. 5

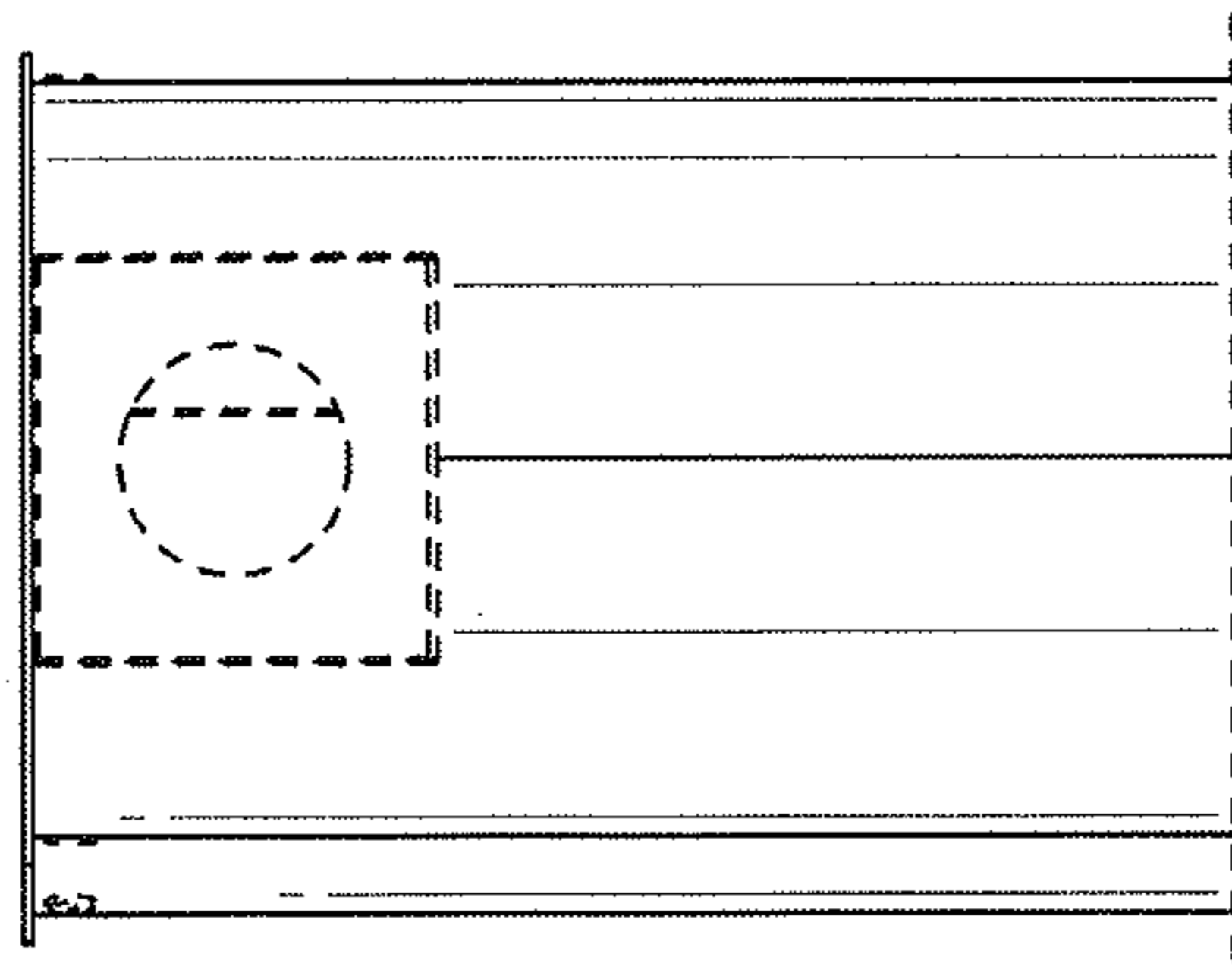


FIG. 4

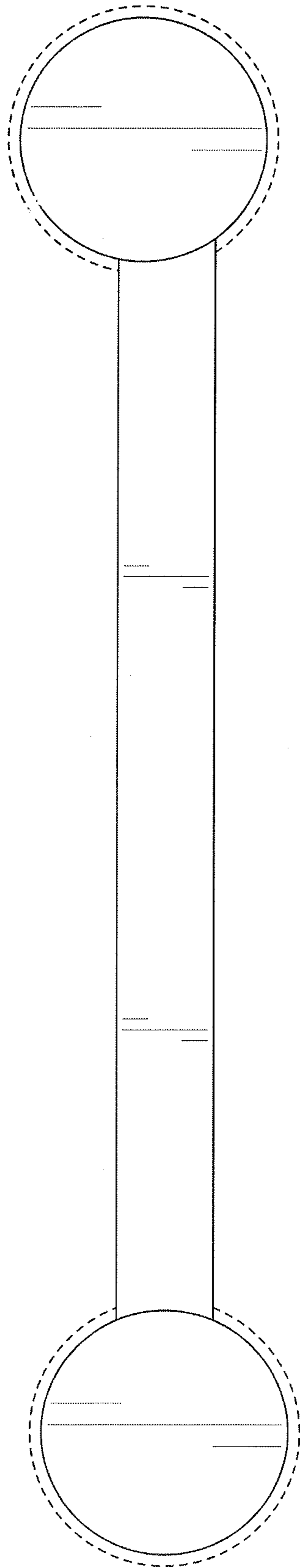


FIG. 6

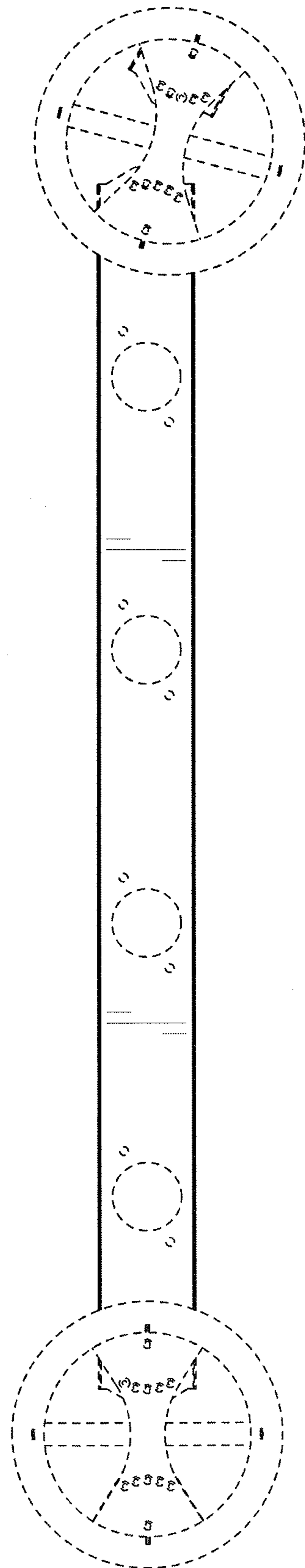


FIG. 7