



US00D867994S

(12) **United States Design Patent**  
**Hino**

(10) **Patent No.:** **US D867,994 S**

(45) **Date of Patent:** **\*\* Nov. 26, 2019**

(54) **TUNER**

7,442,881 B1 \* 10/2008 Chien ..... H05K 9/0032  
174/377

(71) Applicant: **Sony Semiconductor Solutions Corporation, Kanagawa (JP)**

D591,683 S \* 5/2009 Suzuki ..... D13/147

D613,264 S \* 4/2010 Sugiyama ..... D13/147

D694,187 S 11/2013 Kasai

8,836,452 B2 \* 9/2014 Imai ..... H04N 5/50  
334/85

(72) Inventor: **Koki Hino, Tokyo (JP)**

(73) Assignee: **SONY SEMICONDUCTOR SOLUTIONS CORPORATION, Kanagawa (JP)**

(Continued)

(\*\*) Term: **15 Years**

(21) Appl. No.: **29/591,378**

(22) Filed: **Jan. 19, 2017**

(30) **Foreign Application Priority Data**

Dec. 22, 2016 (CN) ..... 2016 3 0638264

Dec. 28, 2016 (JP) ..... D2016-028665

Dec. 28, 2016 (JP) ..... D2016-028666

Dec. 28, 2016 (JP) ..... D2016-028667

Dec. 28, 2016 (JP) ..... D2016-028668

(51) **LOC (12) Cl.** ..... **13-03**

(52) **U.S. Cl.**

USPC ..... **D13/133; D14/188**

(58) **Field of Classification Search**

USPC ..... D13/118, 123, 133, 146, 147, 149, 151,  
D13/154, 173, 184, 199; D14/188, 432,  
D14/433, 438

CPC .... H01R 13/646; H01R 13/633; H01R 12/70;  
H01R 12/7076; H01R 13/46; H01R  
13/62; H01R 13/627; H01R 13/648;  
H01R 13/66; H01R 31/06; H01R 31/065;  
H05K 1/14; H05K 5/00; H05K 7/00;  
H05K 7/02; H05K 7/20; H05K 9/00;  
G02B 6/36; G02B 6/38

See application file for complete search history.

(56) **References Cited**

**U.S. PATENT DOCUMENTS**

D301,239 S \* 5/1989 Chino ..... D13/146

D475,988 S \* 6/2003 Otani ..... D14/188

**OTHER PUBLICATIONS**

Hauppauge 1187 WinTV-HVR-1250 Hybird PCI-Ex1 TV Tuner 1187, dated Jul. 7, 2004, [online], [site visited Jul. 5, 2018]. Available from Internet, <URL: <https://www.amazon.com/Hauppauge-1187-WinTV-HVR-1250-Hybird-PCI-Ex1/dp/B0010DIK3U>> (Year: 2004).\*

(Continued)

*Primary Examiner* — Angela J Lee

*Assistant Examiner* — Shawn T Gingrich

(74) *Attorney, Agent, or Firm* — Michael Best and Friedrich LLP

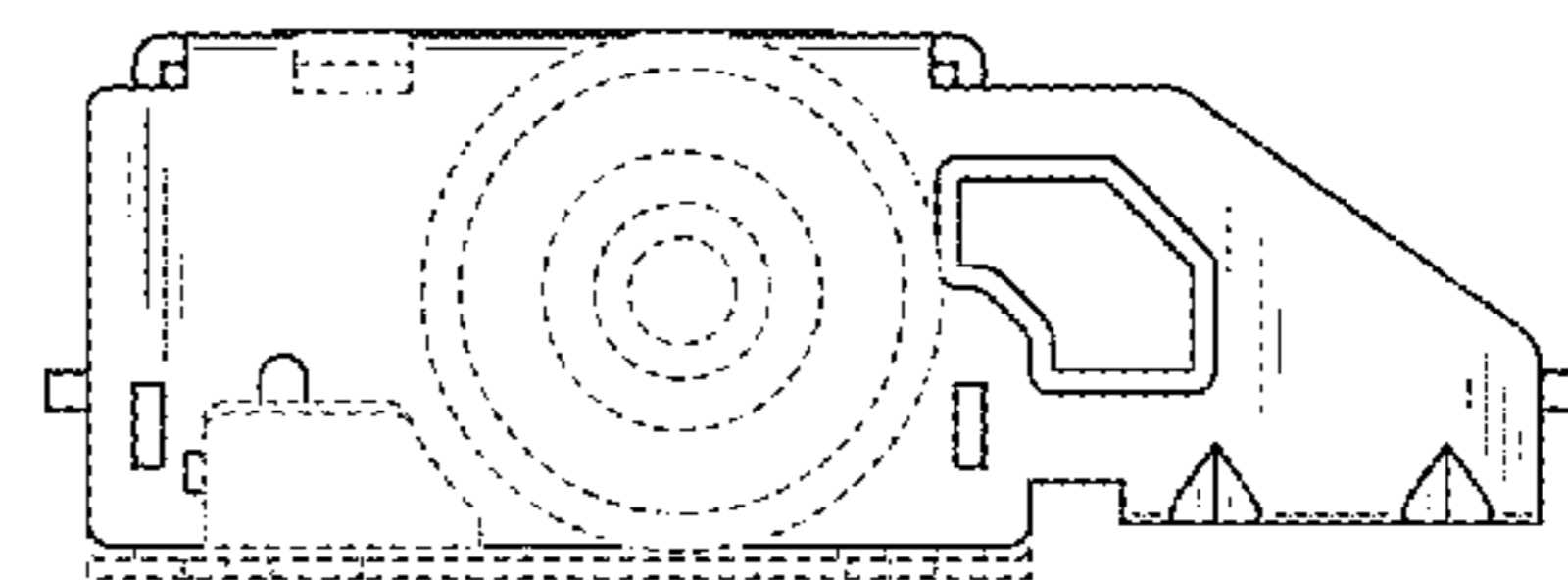
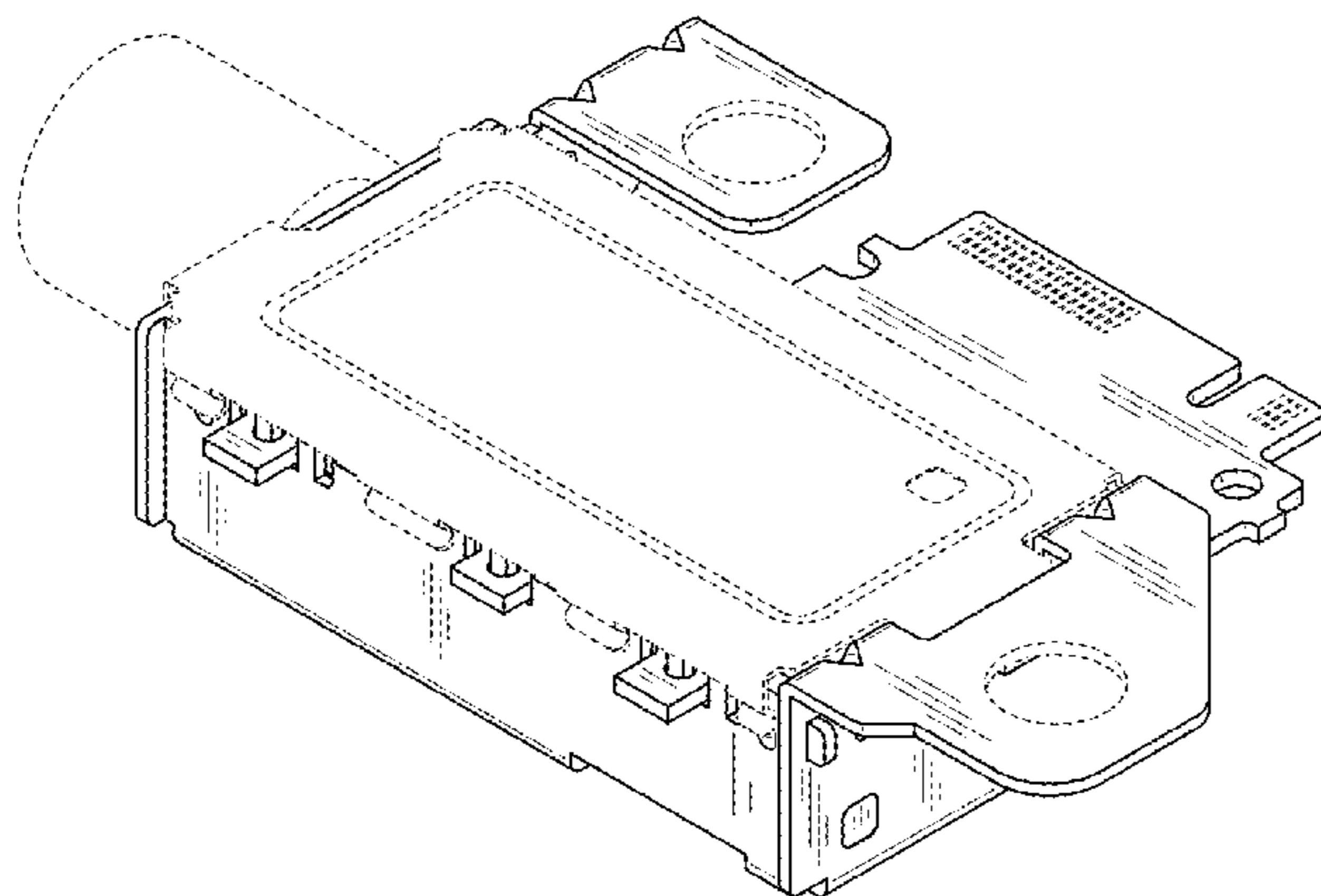
(57) **CLAIM**

The ornamental design for a tuner, as shown and described.

**DESCRIPTION**

FIG. 1 is a rear, top, left perspective view of a tuner showing my new design;  
FIG. 2 is a front elevational view thereof;  
FIG. 3 is a rear elevational view thereof;  
FIG. 4 is a left side elevational view thereof;  
FIG. 5 is a right side elevational view thereof;  
FIG. 6 is a top plan view thereof; and,  
FIG. 7 is a bottom plan view thereof.  
The even-dash broken lines illustrating portions of the tuner form no part of the claimed design.

**1 Claim, 5 Drawing Sheets**



(56)

**References Cited**

U.S. PATENT DOCUMENTS

2005/0162242 A1\* 7/2005 Ootori ..... H04B 1/08  
334/85  
2013/0083498 A1\* 4/2013 Wu ..... H05K 9/0032  
361/752  
2013/0241374 A1\* 9/2013 Tsao ..... H05K 5/0004  
312/223.1  
2014/0148052 A1\* 5/2014 Hall ..... H01R 13/6456  
439/607.01  
2014/0160709 A1\* 6/2014 Imai ..... H05K 3/308  
361/773  
2014/0168519 A1\* 6/2014 Imai ..... H04N 5/50  
348/731  
2018/0109052 A1\* 4/2018 Li ..... H01R 13/405

OTHER PUBLICATIONS

40 New Eco-Friendly Silicon TV Tuner from Sony, dated Aug. 7, 2010, [online], [site visited Jul. 5, 2018]. Available from Internet, <URL:<http://www.sonyrumors.net/2010/08/07/40-new-eco-friendly-silicon-tv-tuner-from-sony/>> (Year: 2010).\*

\* cited by examiner

FIG.1

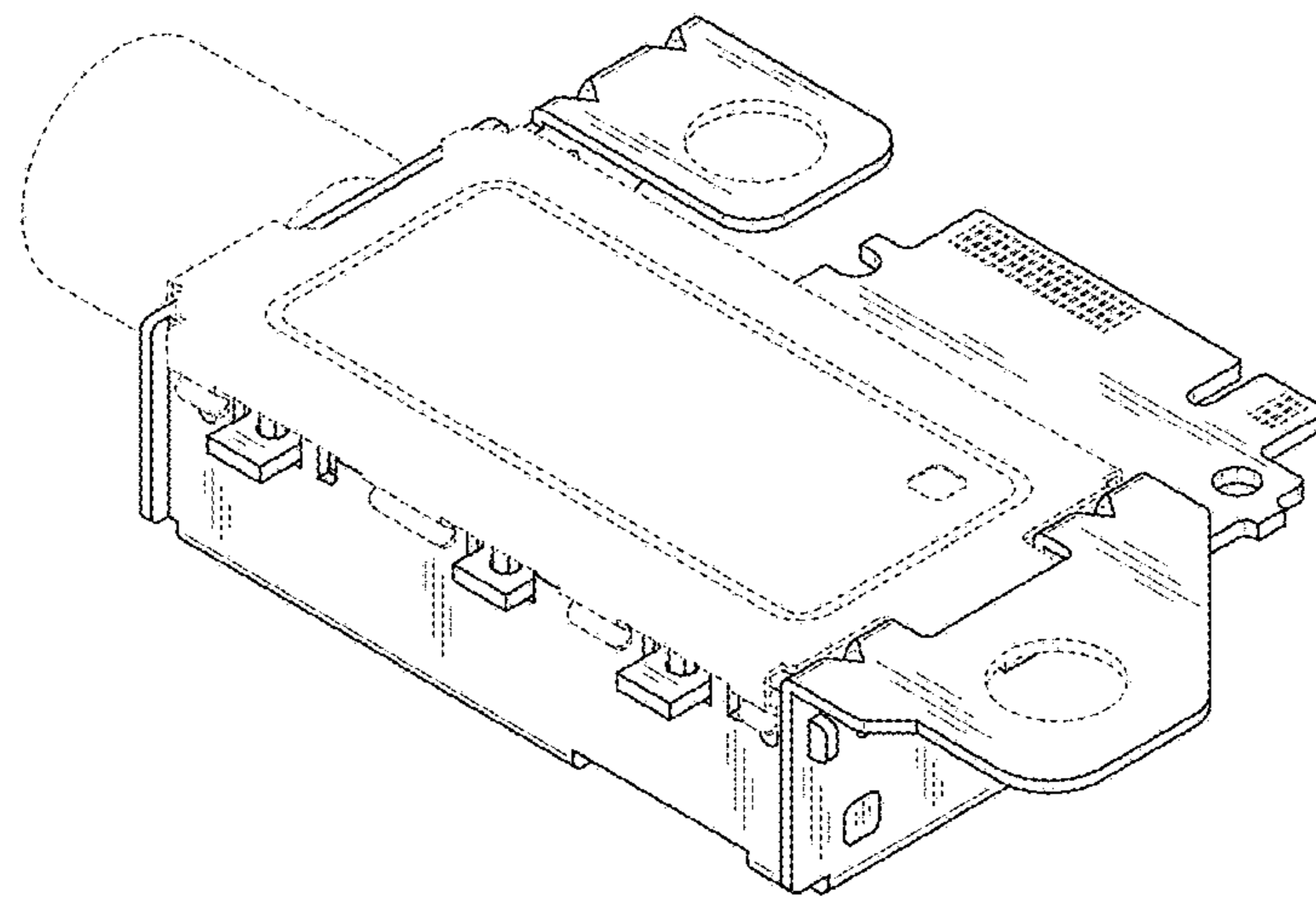


FIG.2

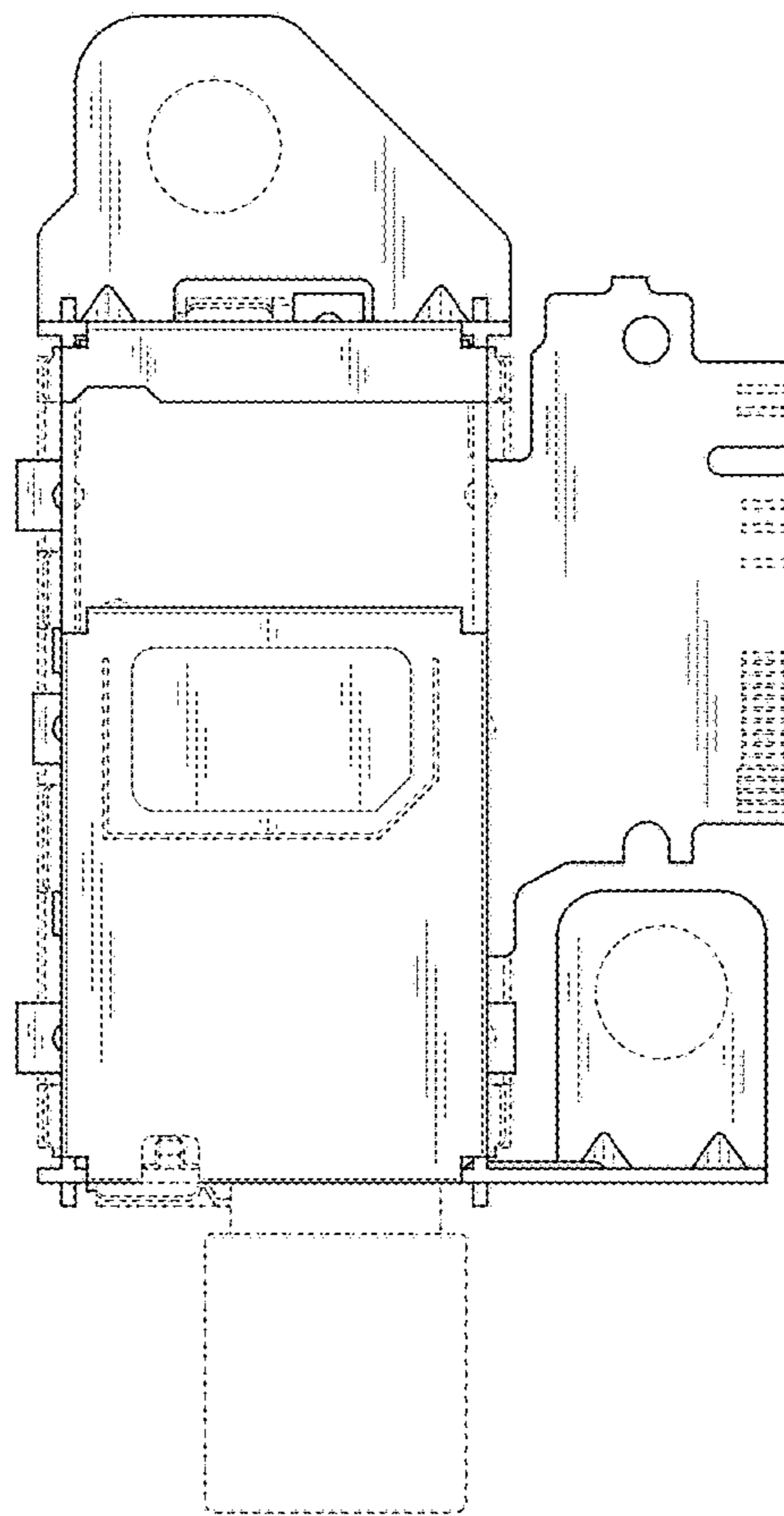


FIG.3

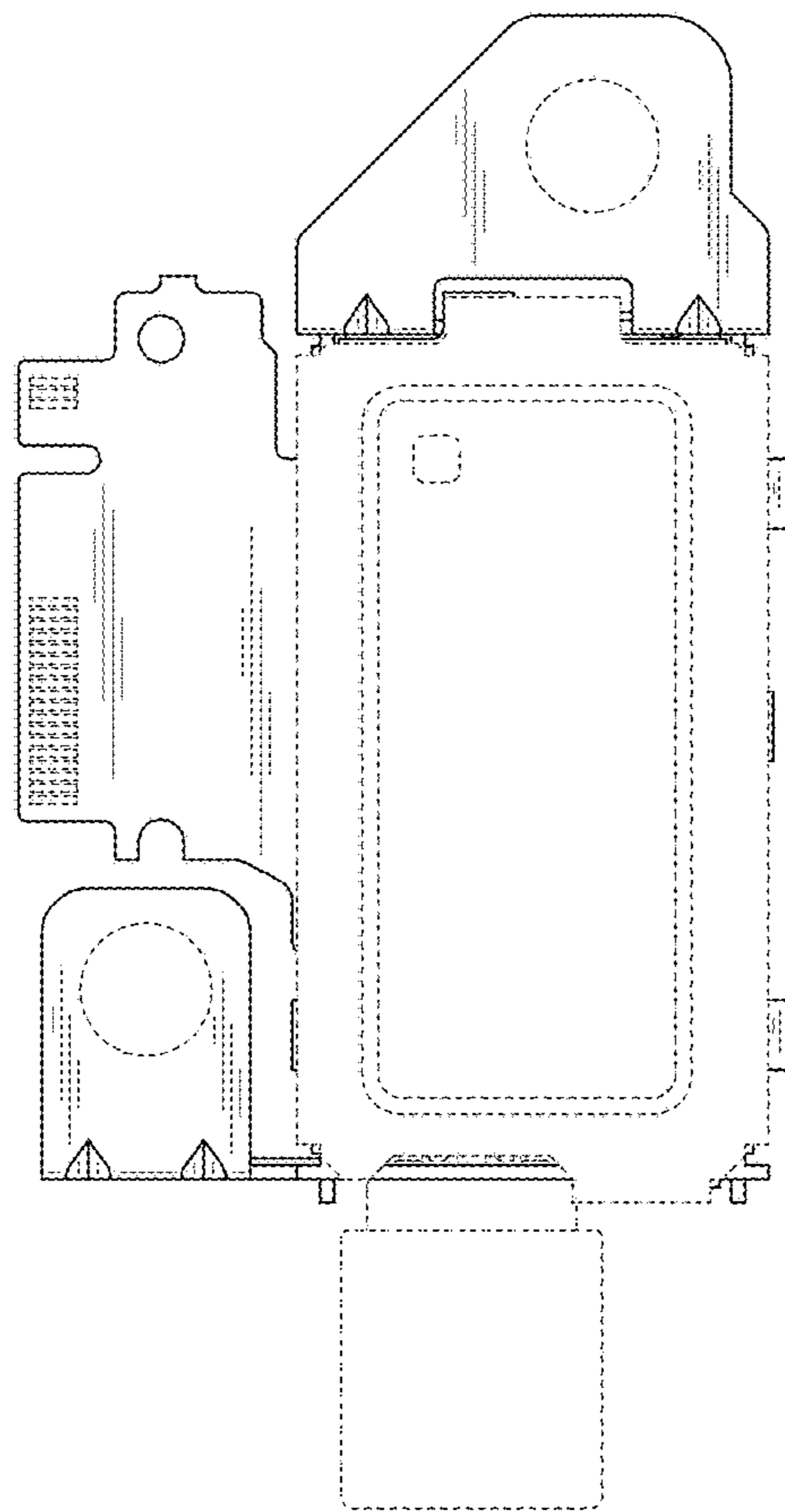


FIG.4

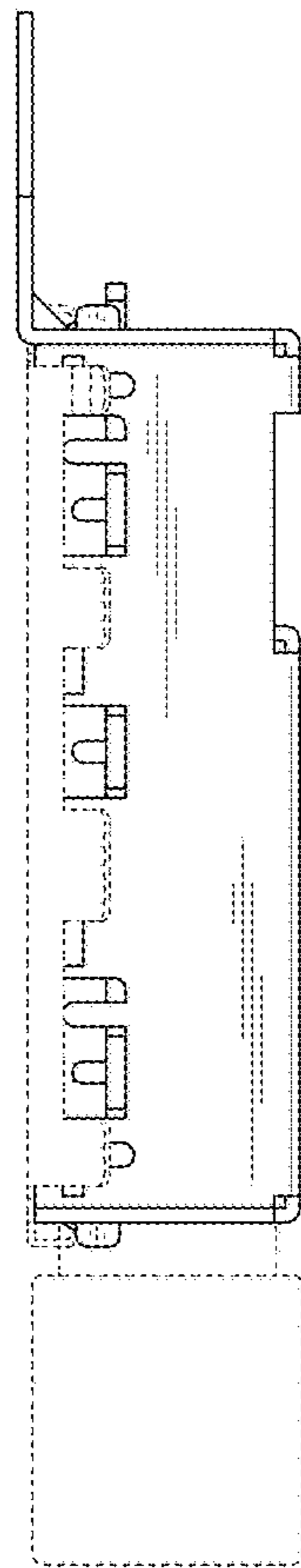


FIG.5

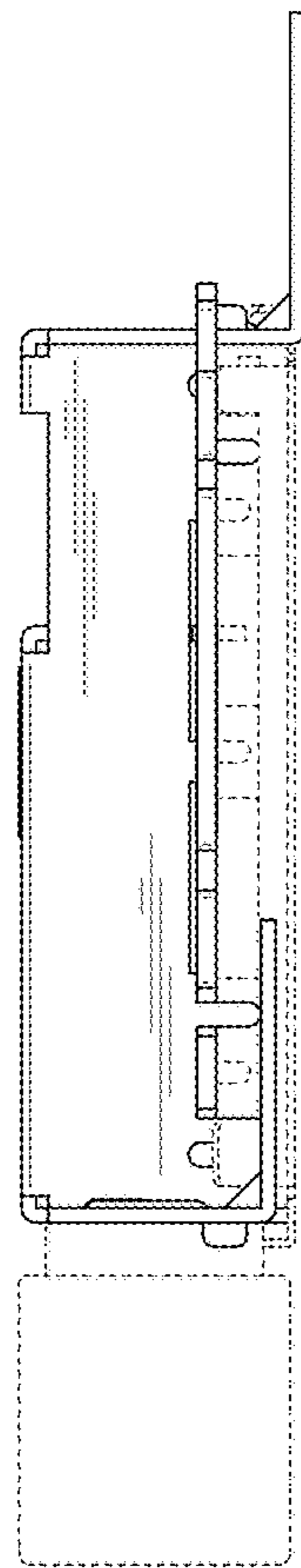


FIG.6

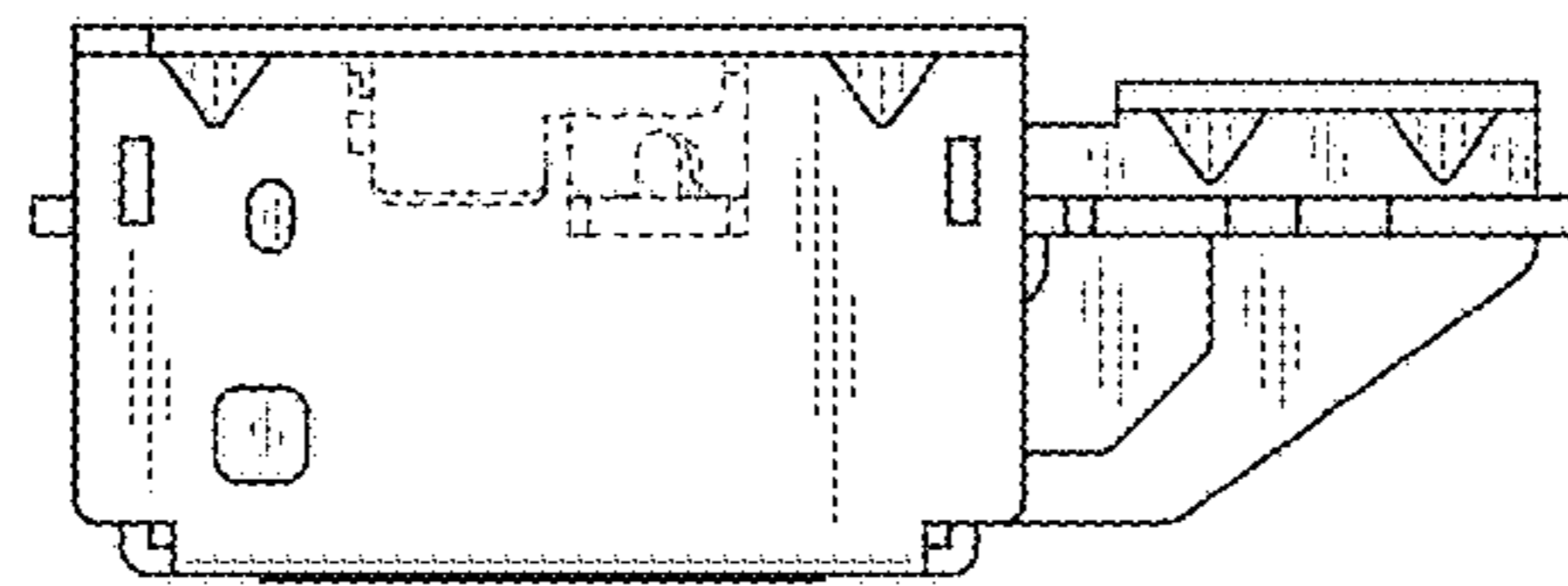


FIG.7

