

US00D867992S

(12) **United States Design Patent** (10) **Patent No.:** **US D867,992 S**
Lee (45) **Date of Patent:** **** Nov. 26, 2019**

(54) **WINDMILL TAIL**

(71) Applicant: **JBL INTERNATIONAL, INC.**,
Houston, TX (US)

(72) Inventor: **Lawrence K. Lee**, Houston, TX (US)

(73) Assignee: **JBL INTERNATIONAL, INC.**,
Houston, TX (US)

(**) Term: **15 Years**

(21) Appl. No.: **29/604,022**

(22) Filed: **May 15, 2017**

(51) **LOC (12) Cl.** **13-02**

(52) **U.S. Cl.**
USPC **D13/118**

(58) **Field of Classification Search**
USPC D13/101, 112, 115, 118, 122, 184, 199;
D10/59, 60; D8/323, 325, 327, 328, 354,
D8/364, 382; D21/458; D22/119
See application file for complete search history.

(56) **References Cited**

U.S. PATENT DOCUMENTS

2,838,932 A * 6/1958 Dwyer G01P 5/16
73/170.16
D241,539 S * 9/1976 Iverson D20/22

D279,293 S * 6/1985 Sutz D15/1
D443,535 S * 6/2001 Tai D10/59
D611,544 S * 3/2010 Liptan D19/88
D635,037 S * 3/2011 Lee D10/59
2009/0104039 A1* 4/2009 Vettese F03D 1/025
416/223 R
2018/0320662 A1* 11/2018 Buysse F03D 1/025

* cited by examiner

Primary Examiner — Derrick E Holland

(74) *Attorney, Agent, or Firm* — Egbert Law Offices,
PLLC

(57) **CLAIM**

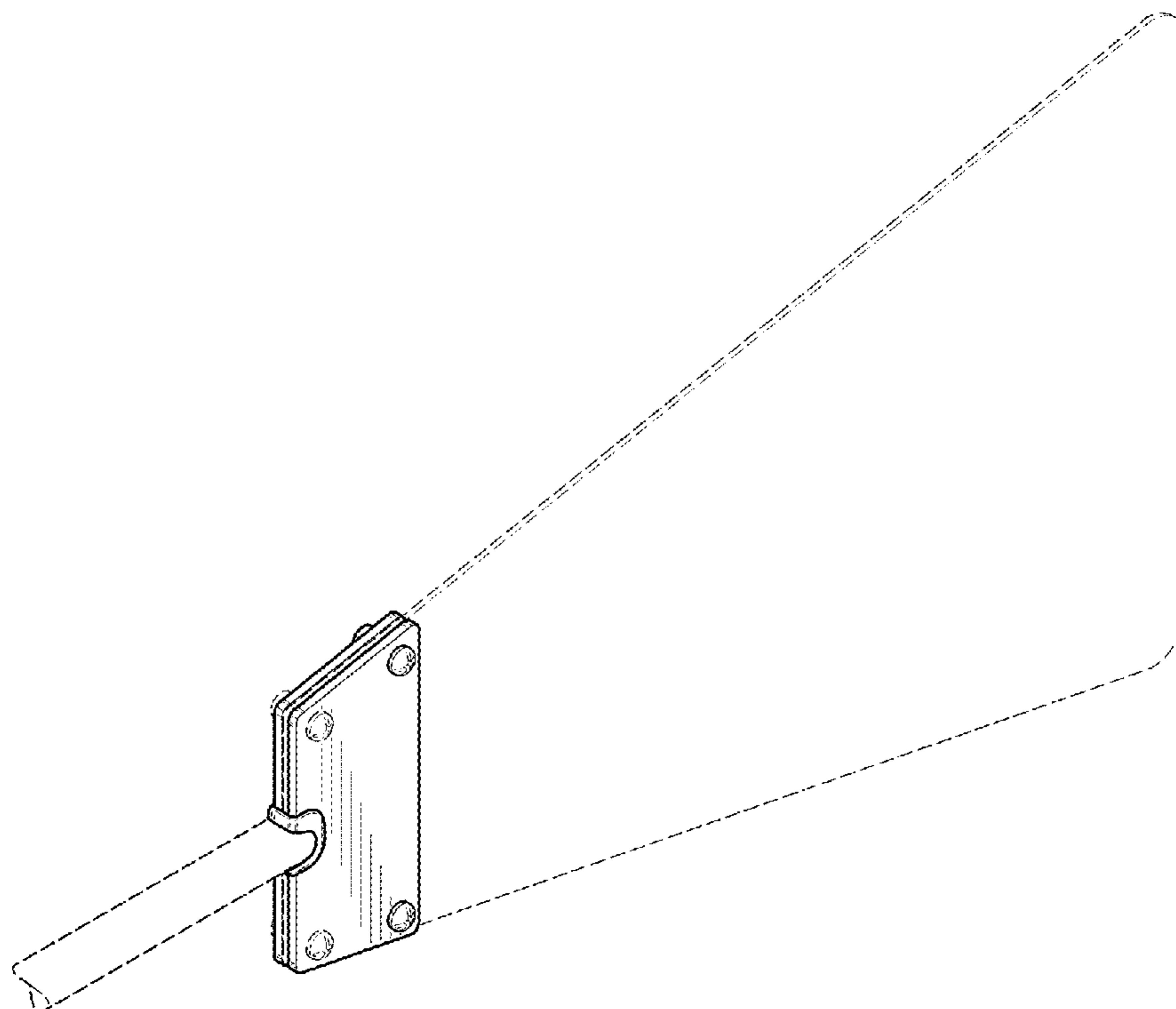
The ornamental design for a windmill tail, as shown and described.

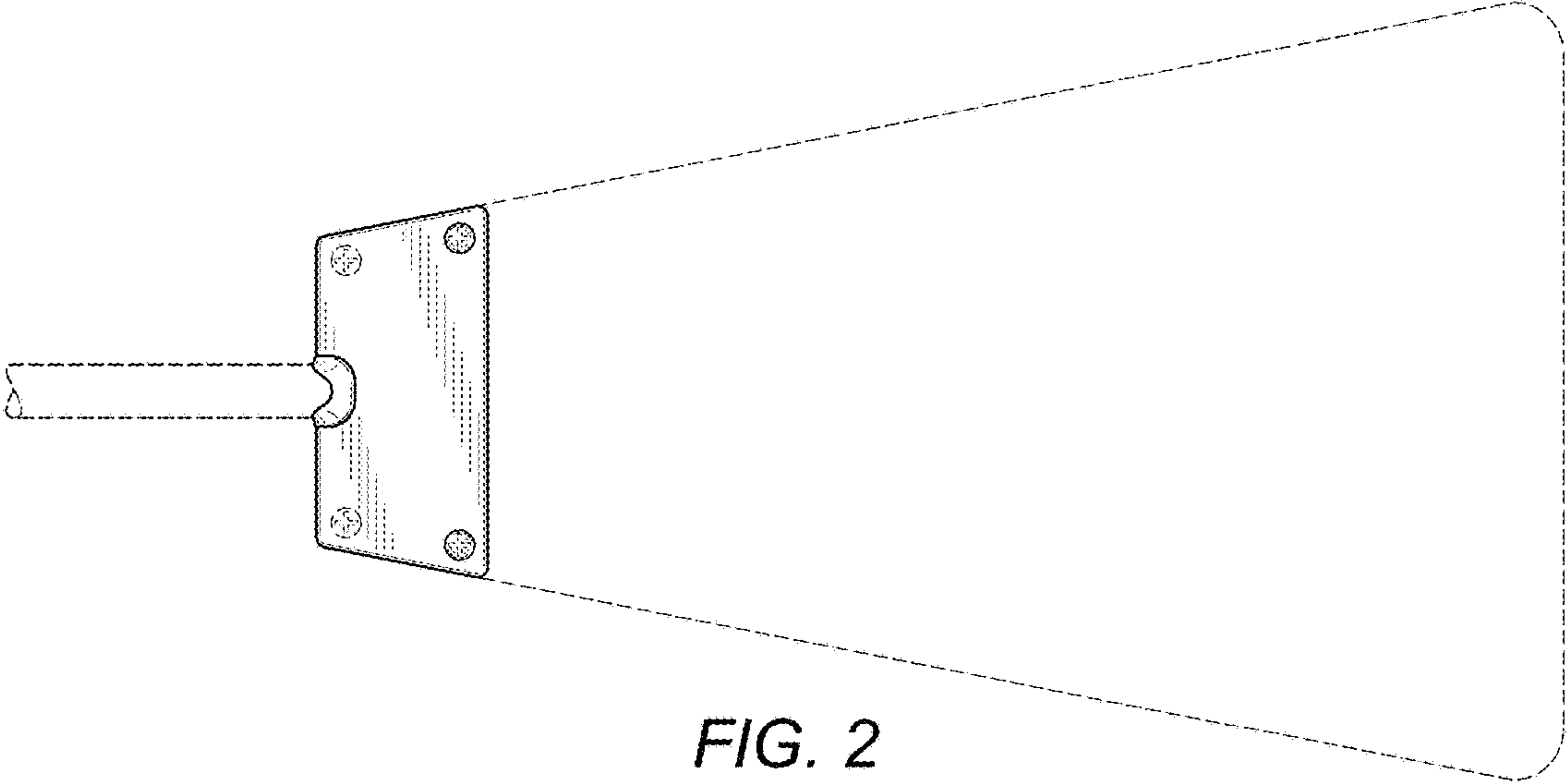
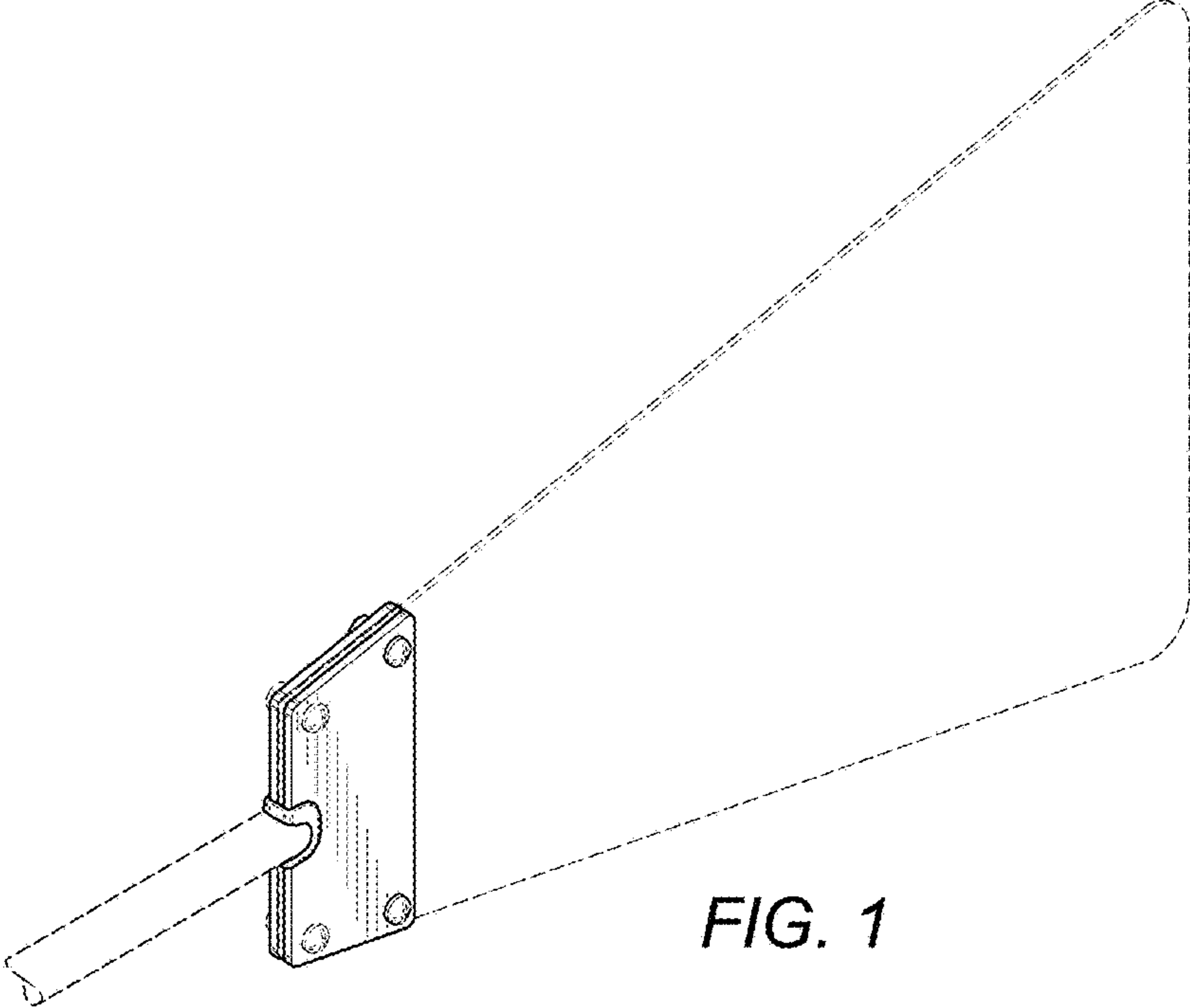
DESCRIPTION

FIG. 1 is a perspective view of a windmill tail showing my new design;
FIG. 2 is a front view thereof;
FIG. 3 is a rear view thereof;
FIG. 4 is a top view thereof;
FIG. 5 is a bottom view thereof;
FIG. 6 is a side view thereof;
FIG. 7 is an opposite side view thereof; and,
FIG. 8 is a perspective view thereof, shown in environmental use.

The broken lines shown represent environmental subject matter and form no part of the claimed design.

1 Claim, 3 Drawing Sheets





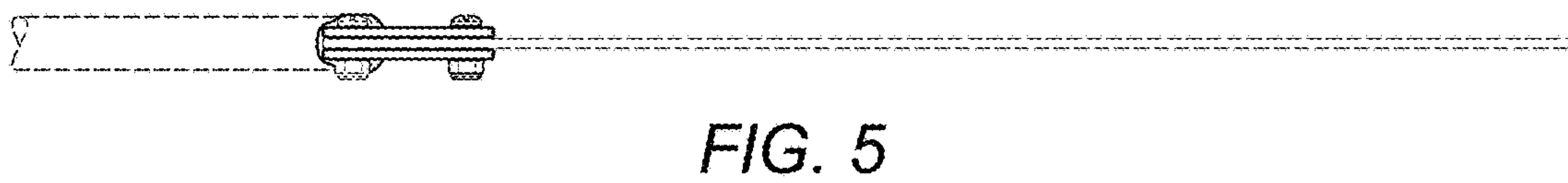
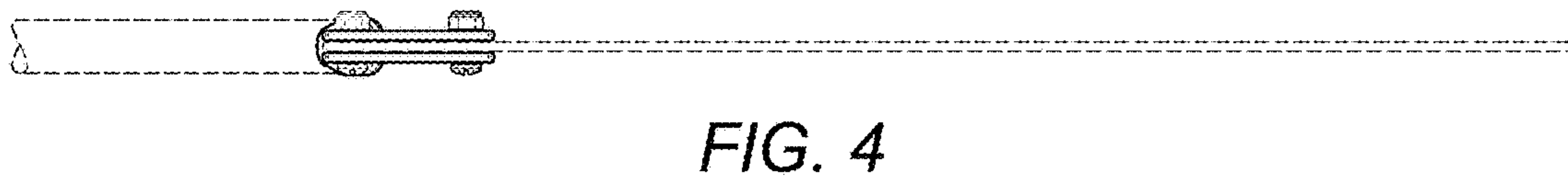
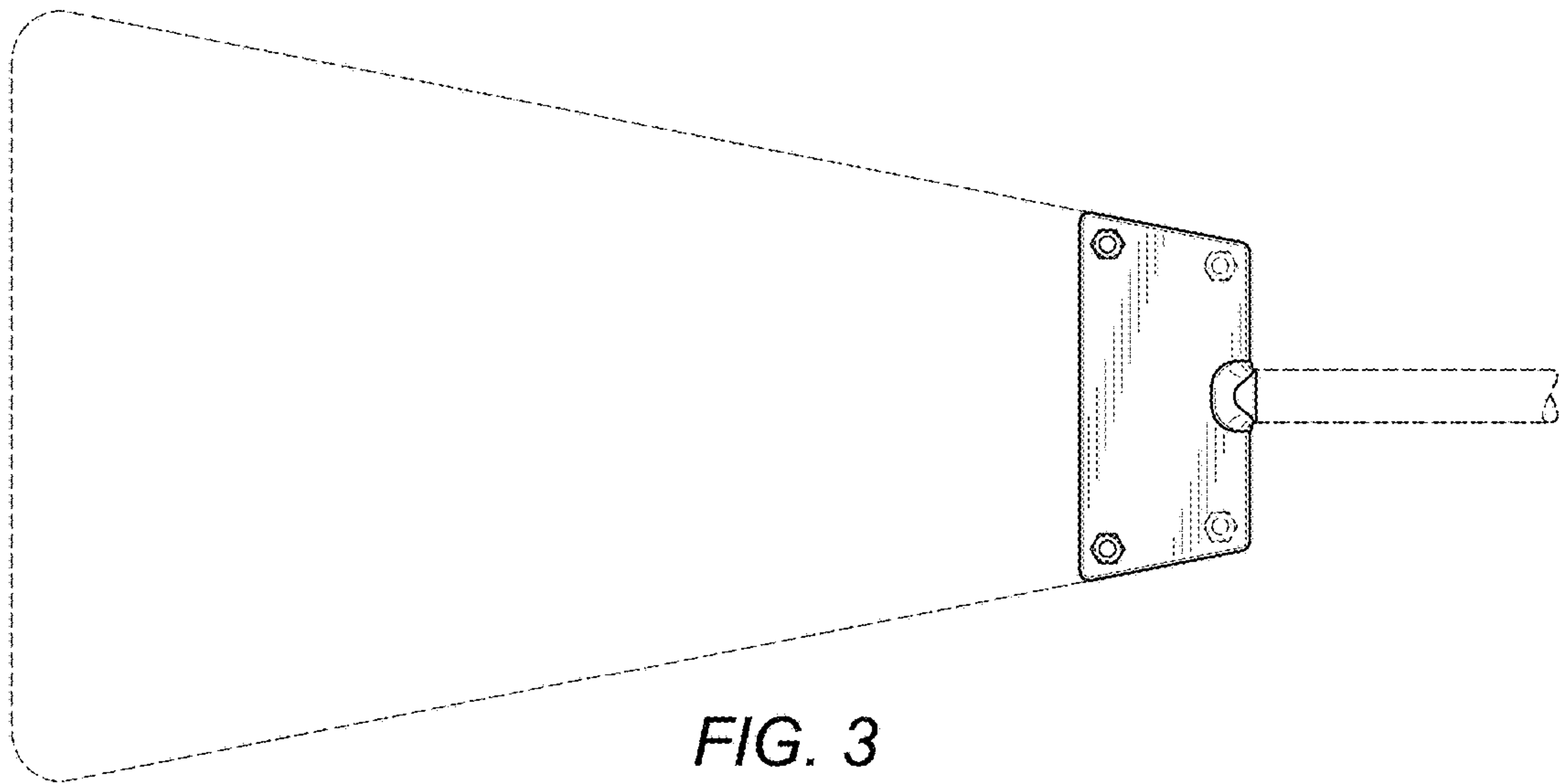




FIG. 6

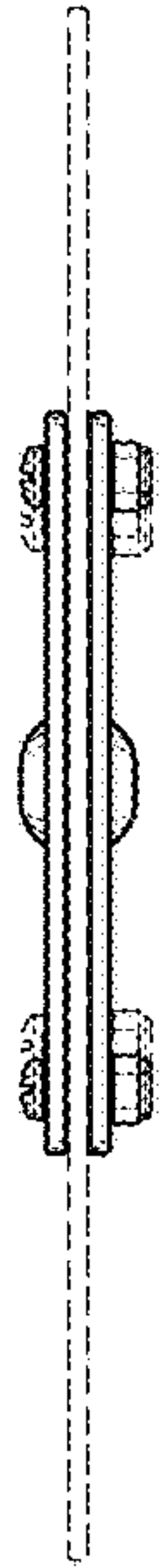


FIG. 7

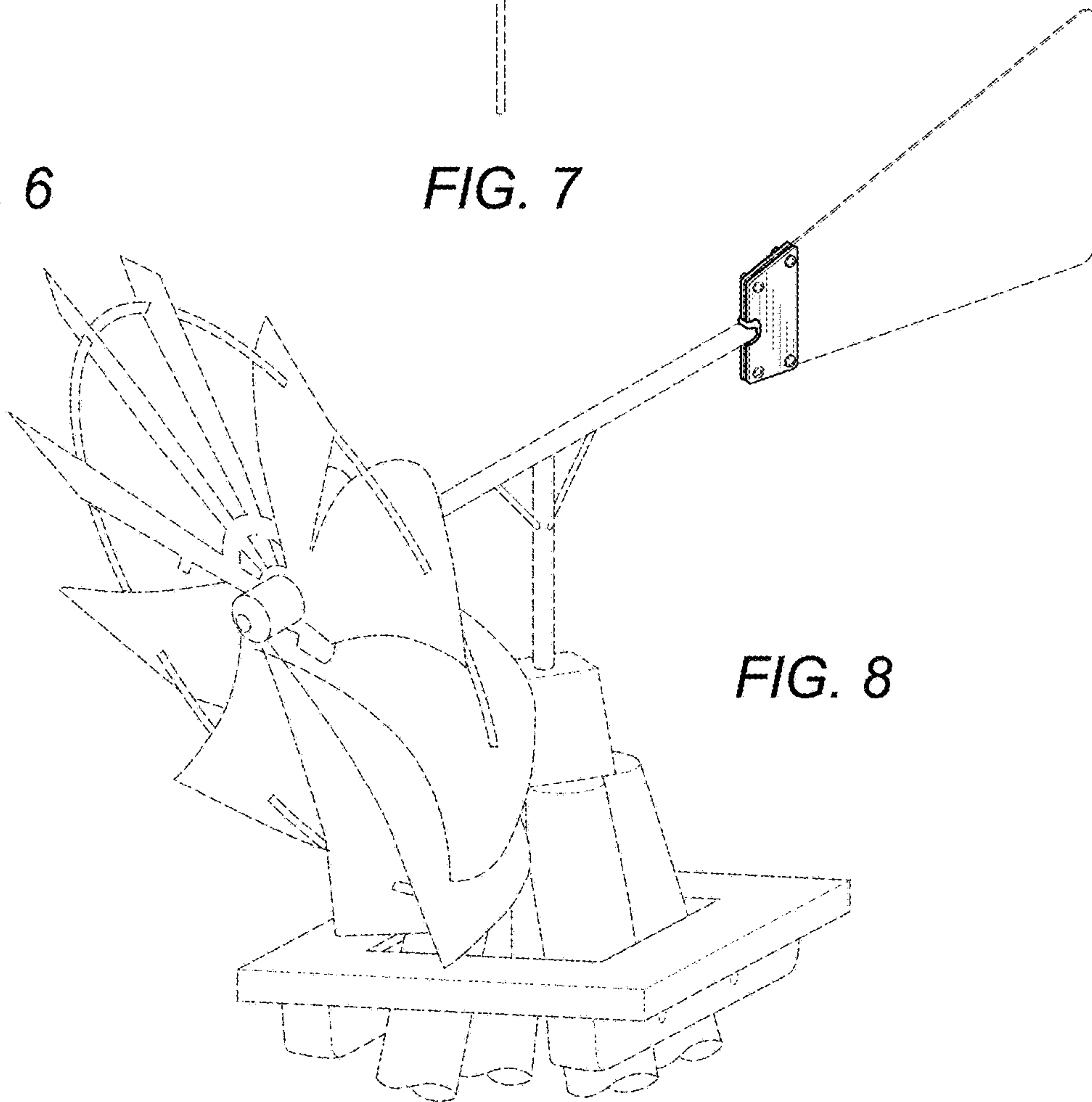


FIG. 8