



US00D867991S

(12) **United States Design Patent** (10) **Patent No.:** **US D867,991 S**
Schoeller (45) **Date of Patent:** **** *Nov. 26, 2019**

(54) **MICRO-HYDROPOWER PLANT**
(71) Applicant: **AQUAKIN GmbH**, Fuerth (DE)
(72) Inventor: **Leif Schoeller**, Fuerth (DE)
(73) Assignee: **AQUAKIN GMBH**, Fuerth (DE)
(*) Notice: This patent is subject to a terminal disclaimer.
(**) Term: **15 Years**
(21) Appl. No.: **29/533,945**
(22) Filed: **Jul. 23, 2015**
(30) **Foreign Application Priority Data**

Jan. 24, 2015 (EP) 002619791-0002
(51) **LOC (12) Cl.** **13-01**
(52) **U.S. Cl.**
USPC **D13/114**
(58) **Field of Classification Search**
USPC D13/101, 110, 112-118, 122, 123, 162,
D13/184, 199; D12/214, 306; D21/542;
310/10, 40 MM, 40 R, 42, 51, 52, 58, 64,
310/71, 80, 83, 85, 88, 89, 91, 109, 236,
310/239, 254; 318/244-5; 322/16, 29;
29/596-598
CPC Y02E 10/28; Y02E 10/223; F03B 17/061;
F03B 13/10; Y02P 70/525
See application file for complete search history.

(56) **References Cited**
U.S. PATENT DOCUMENTS
D240,810 S * 8/1976 Meyerhoff et al. D12/214
4,748,808 A * 6/1988 Hill F03B 13/184
290/54
D543,495 S * 5/2007 Williams D12/345
D579,102 S * 10/2008 Leung D23/411

D591,364 S * 4/2009 Nagaoka D21/542
D652,794 S * 1/2012 Christopher D13/115
D665,738 S * 8/2012 Presz, Jr. D13/115
8,308,422 B2 * 11/2012 Williams F03B 3/126
415/7
D674,887 S * 1/2013 Dyson D23/370
8,622,688 B2 * 1/2014 Presz, Jr. F01D 9/04
415/4.3
D699,676 S * 2/2014 Drach D13/115
D710,303 S * 8/2014 Liao D13/115
D715,737 S * 10/2014 Cooper D13/115
8,864,439 B2 * 10/2014 Williams F03B 13/10
415/3.1
9,874,197 B2 * 1/2018 Christopher F03B 17/063
D821,989 S * 7/2018 Sung D13/199
D821,991 S * 7/2018 Sung D13/199
D830,228 S * 10/2018 Grassi D12/16.1
D830,897 S * 10/2018 Choi D12/16.1
2005/0005592 A1 * 1/2005 Fielder C02F 1/04
60/200.1

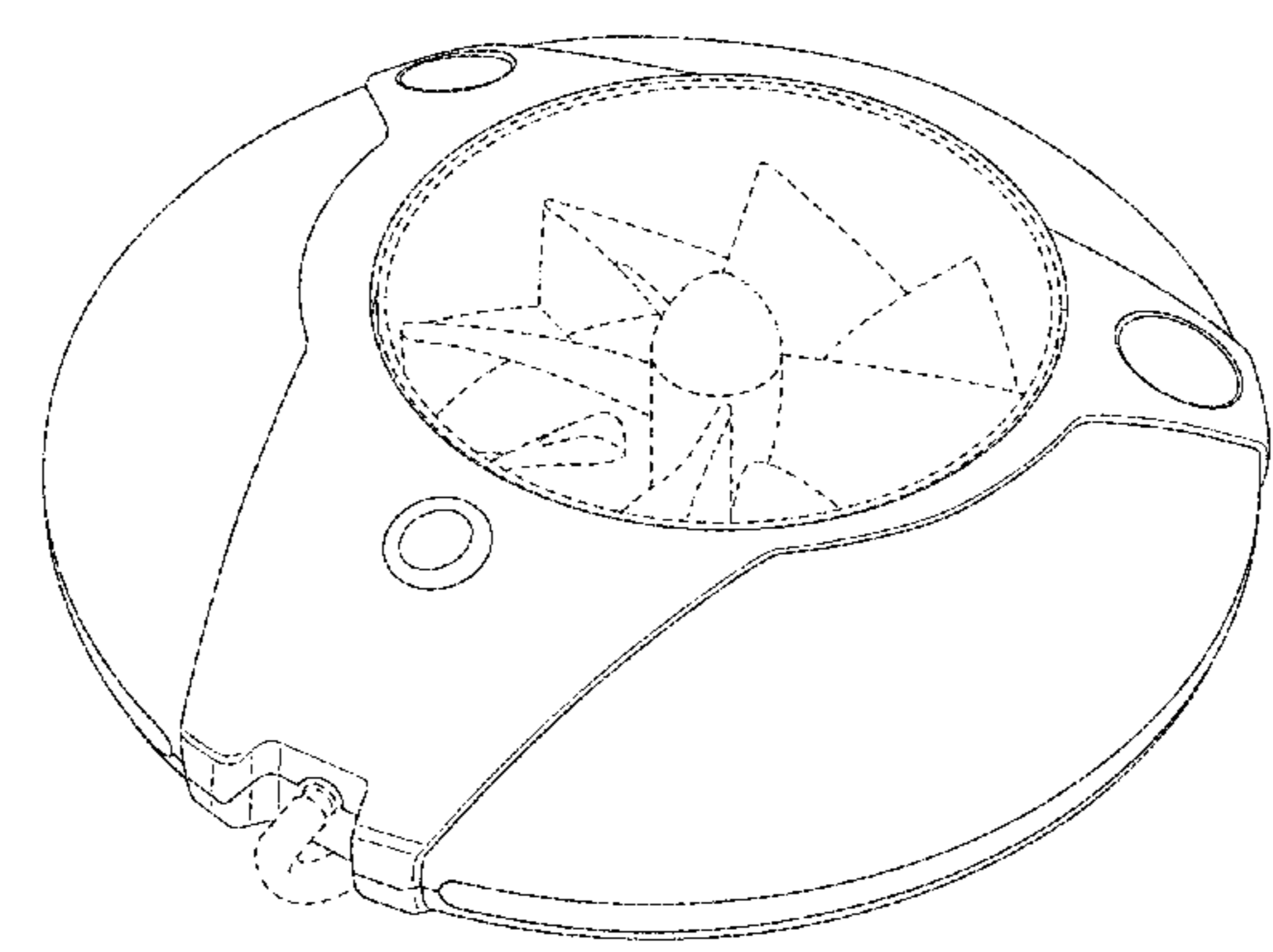
(Continued)

Primary Examiner — Derrick E Holland
Assistant Examiner — Jennifer O King
(74) *Attorney, Agent, or Firm* — J.A. Lindeman & Co.
PLLC; Jeffrey Lindeman; Joseph Parisi

(57) **CLAIM**
The ornamental design for a micro-hydropower plant, as shown and described.

DESCRIPTION
FIG. 1 is a top view of a micro-hydropower plant in accordance with my new design;
FIG. 2 is a top left perspective view thereof, with the turbine shown in an alternate state removed from the housing;
FIG. 3 is a right side view thereof; and,
FIG. 4 is a right side perspective view thereof.
The turbine and flexible shaft shown in broken lines in the drawings depict unclaimed environmental subject matter only and form no part of the claimed design.

1 Claim, 4 Drawing Sheets



(56)

References Cited

U.S. PATENT DOCUMENTS

2009/0206611 A1* 8/2009 Gilbert F03D 1/04
290/55
2010/0133839 A1* 6/2010 Bridwell F03B 17/061
290/52
2016/0226340 A1* 8/2016 Perriere F03B 3/04
2016/0272294 A1* 9/2016 Hine B63H 19/02
2016/0312760 A1* 10/2016 Ives F03B 13/10
2017/0009807 A1* 1/2017 Davey F03B 13/264

* cited by examiner

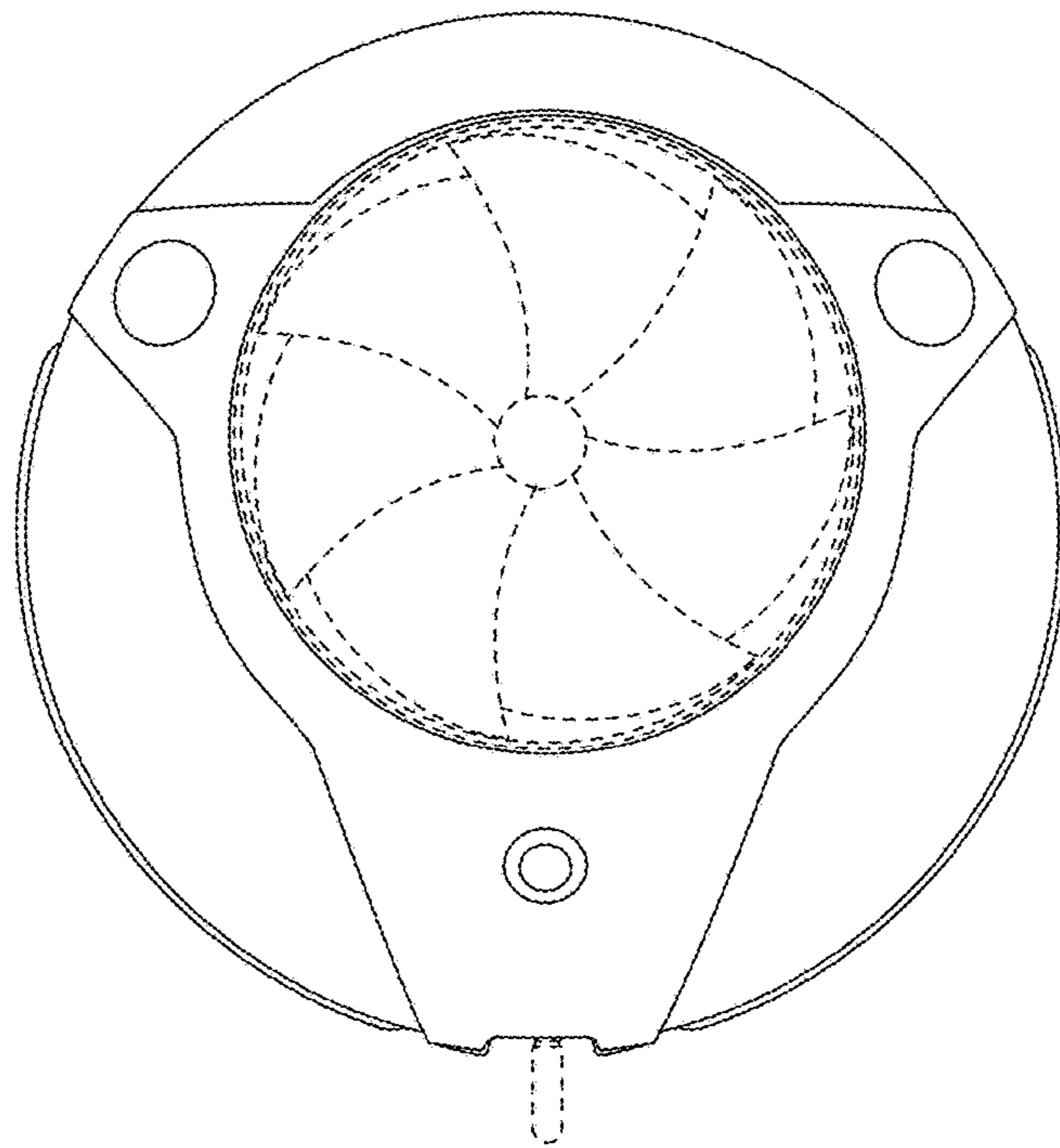


FIG. 1

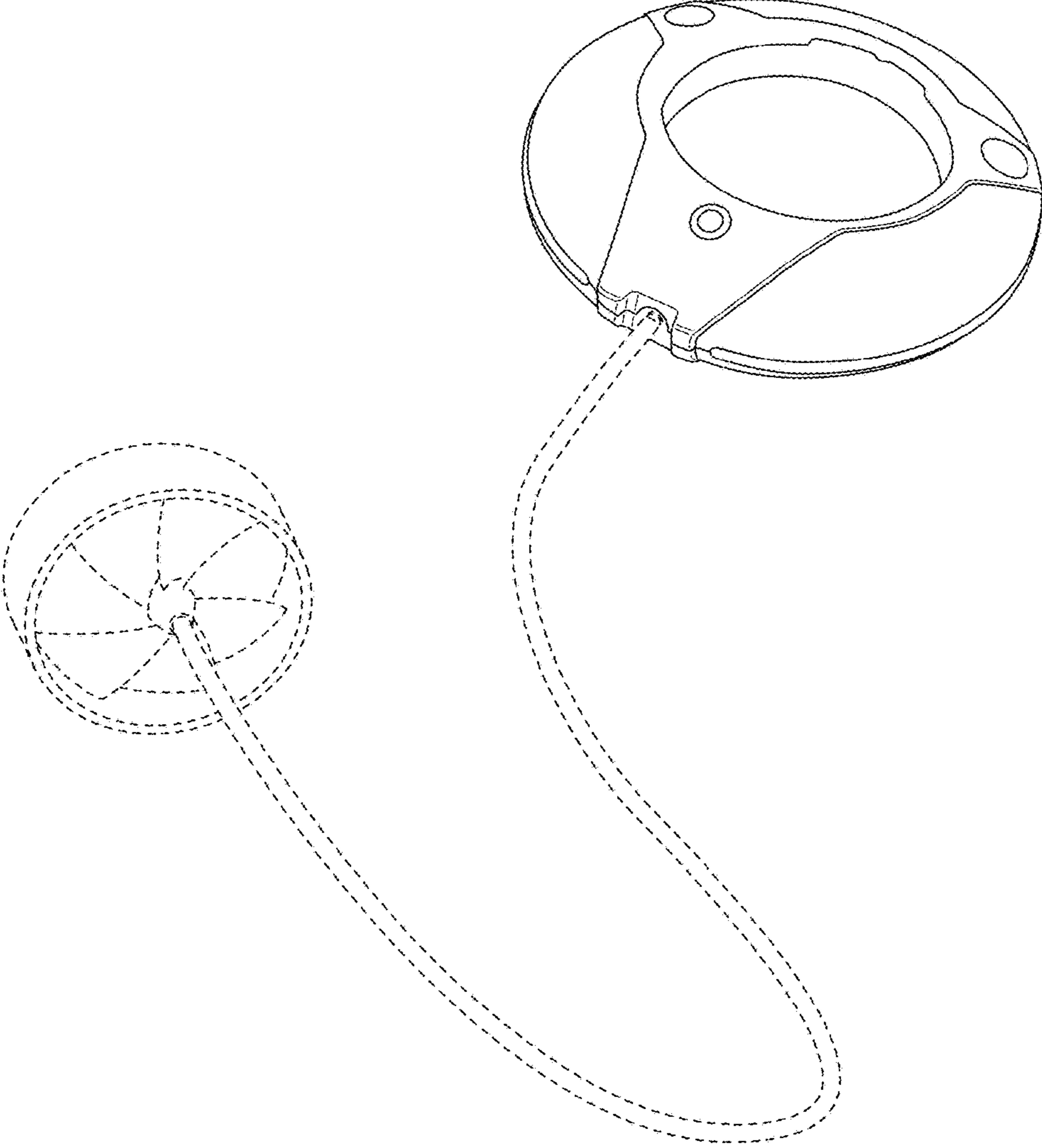


FIG. 2

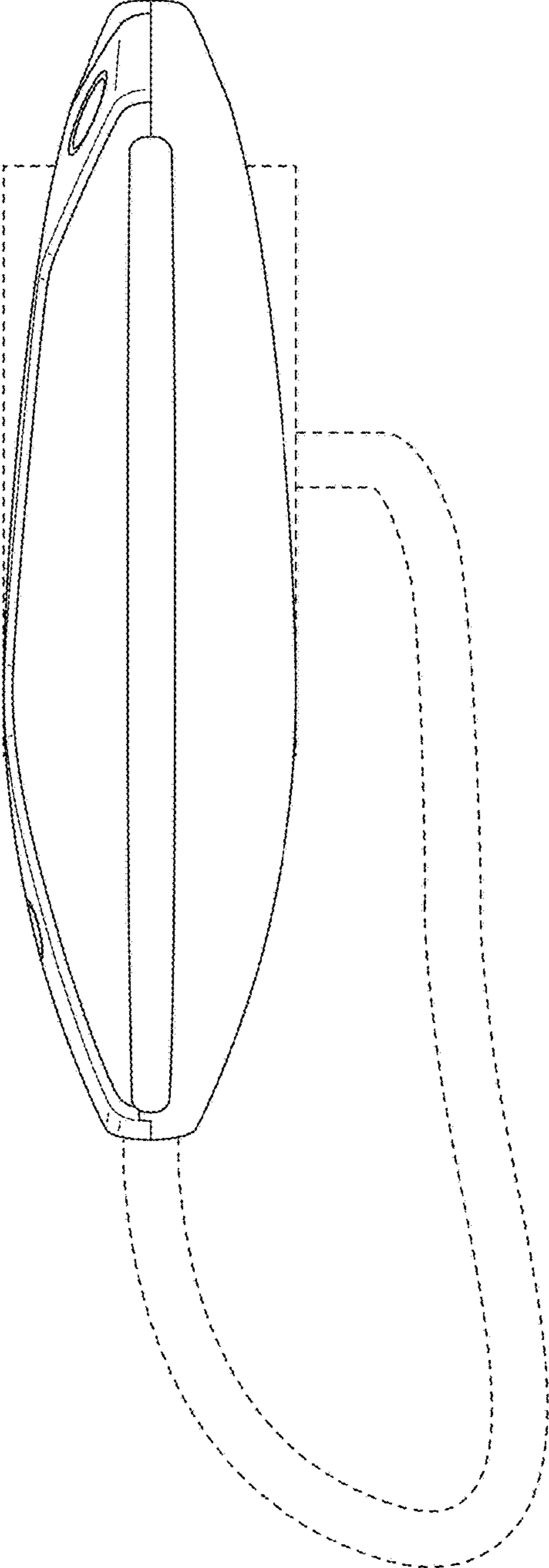


FIG. 3

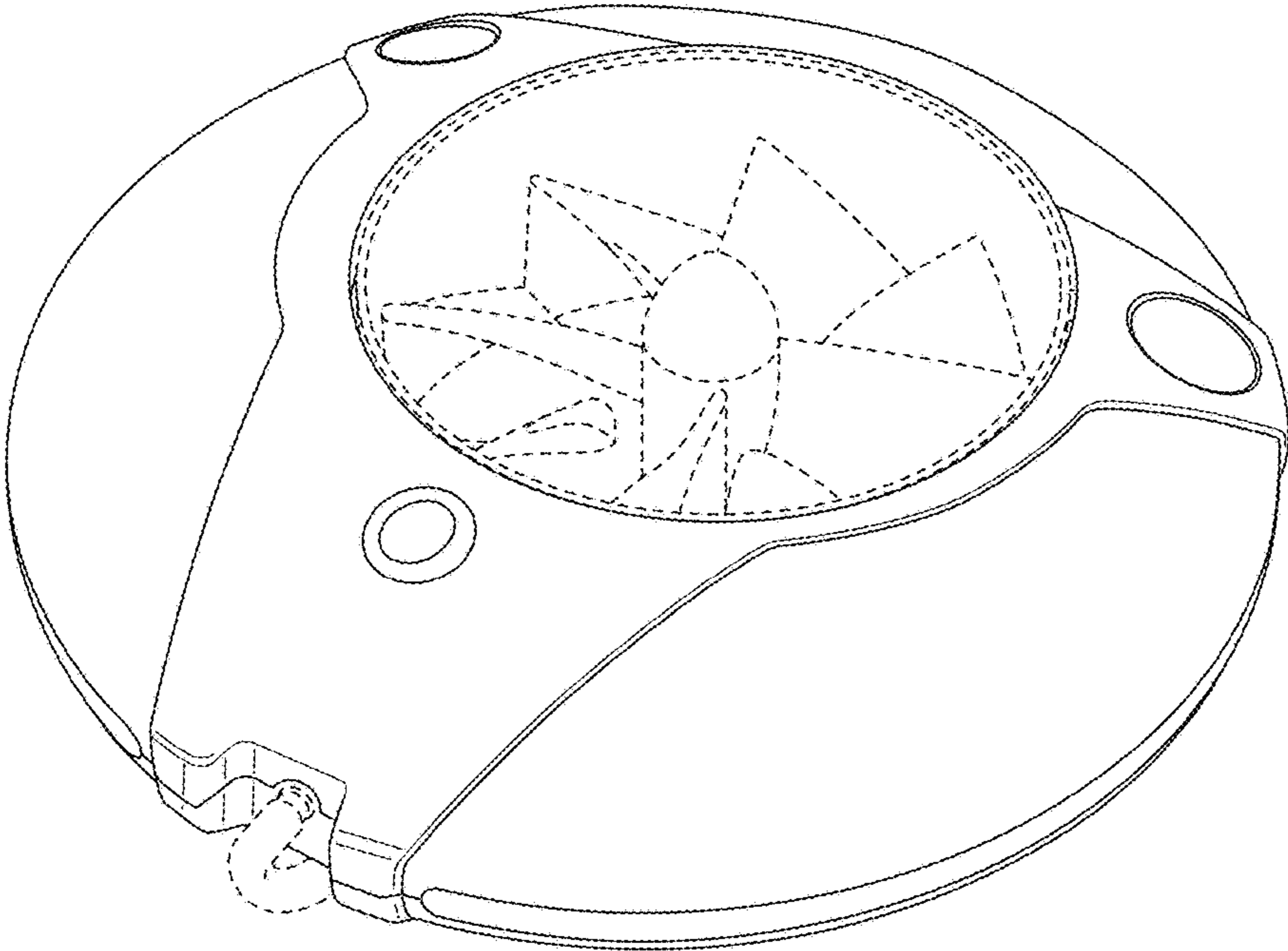


FIG. 4