



US00D867990S

(12) **United States Design Patent**  
**Okajima et al.**

(10) **Patent No.:** **US D867,990 S**

(45) **Date of Patent:** **\*\* Nov. 26, 2019**

(54) **POWER SUPPLY UNIT**

(71) Applicant: **CKD CORPORATION**, Komaki-shi,  
Aichi (JP)

(72) Inventors: **Naoki Okajima**, Komaki (JP); **Hiroaki Banno**, Komaki (JP); **Sho Honda**, Komaki (JP); **Atsushi Fukuta**, Komaki (JP); **Mitsuhiro Kosugi**, Komaki (JP); **Hisashi Hatano**, Komaki (JP)

(73) Assignee: **CKD CORPORATION**, Komaki-Shi,  
Aichi (JP)

(\*\*) Term: **15 Years**

(21) Appl. No.: **29/648,839**

(22) Filed: **May 24, 2018**

(30) **Foreign Application Priority Data**

Nov. 28, 2017 (JP) ..... 2017-026382

(51) **LOC (12) Cl.** ..... **13-02**

(52) **U.S. Cl.**  
USPC ..... **D13/110; D23/233**

(58) **Field of Classification Search**

USPC ..... D13/110, 118, 123, 133–135, 146, 147,  
D13/151, 154, 158–160, 173, 178, 182,  
D13/184, 199; D23/233, 235, 237  
CPC ..... F15B 13/00; F15B 13/08; F16K 11/00;  
F16K 27/00; F16K 31/00; F16K 31/02;  
F16K 31/06; H01R 25/00; H05K 5/00;  
H05K 7/20; G06F 1/18; H02K 5/00;  
H02K 7/00; H02M 7/00; H02M 7/02

See application file for complete search history.

(56) **References Cited**

**U.S. PATENT DOCUMENTS**

D356,996 S \* 4/1995 Henderson ..... D13/110  
D409,279 S \* 5/1999 Hayashi ..... D23/233

D416,309 S \* 11/1999 Hayashi ..... D23/233  
D419,216 S \* 1/2000 Sato ..... D23/233  
D426,615 S \* 6/2000 Sato ..... D23/233  
6,164,335 A \* 12/2000 Hayashi ..... F15B 13/0817  
137/884  
D443,030 S \* 5/2001 Kaneko ..... D23/233  
6,425,416 B1 \* 7/2002 Narita ..... F15B 13/0825  
137/625.27  
D533,254 S \* 12/2006 Miyazoe ..... D23/233  
D607,419 S \* 1/2010 Kurisaki ..... D13/158  
D607,850 S \* 1/2010 Kurisaki ..... D13/158  
D753,798 S \* 4/2016 Suematsu ..... D23/233  
D846,697 S \* 4/2019 Yoshimura ..... D23/233

\* cited by examiner

*Primary Examiner* — Angela J Lee

*Assistant Examiner* — Shawn T Gingrich

(74) *Attorney, Agent, or Firm* — Cantor Colburn LLP

(57) **CLAIM**

The ornamental design for a power supply unit, as shown and described.

**DESCRIPTION**

FIG. 1 is a from, top and right side perspective view of a power supply unit showing our new design;

FIG. 2 is a rear, bottom and left side perspective view thereof;

FIG. 3 is a front view thereof;

FIG. 4 is a rear view thereof;

FIG. 5 is a top plan view thereof;

FIG. 6 is a bottom plan view thereof;

FIG. 7 is a right side view thereof; and,

FIG. 8 is a left side view thereof.

The broken lines illustrate portions of the power supply unit and form no part of the claimed desian.

**1 Claim, 8 Drawing Sheets**

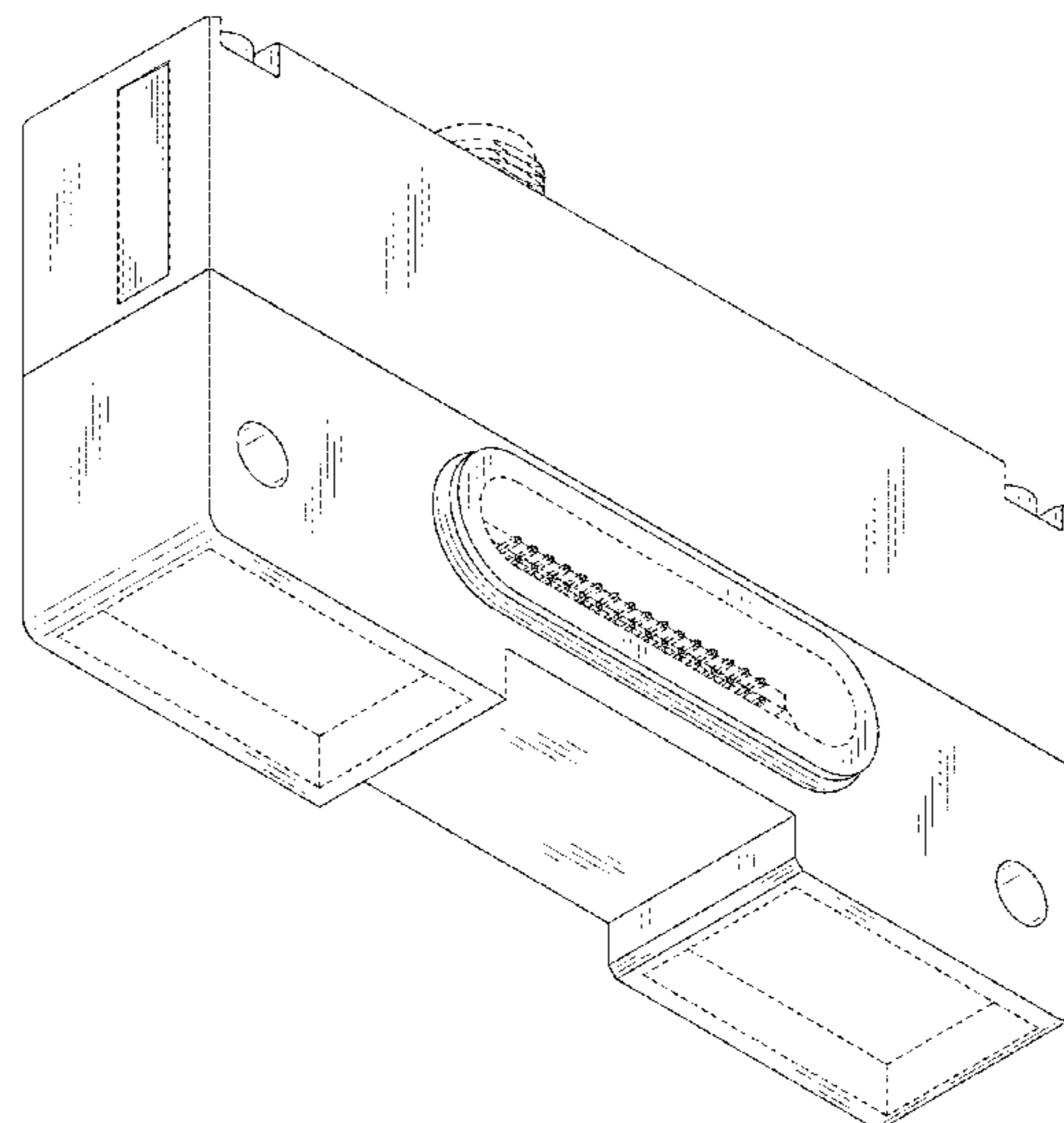
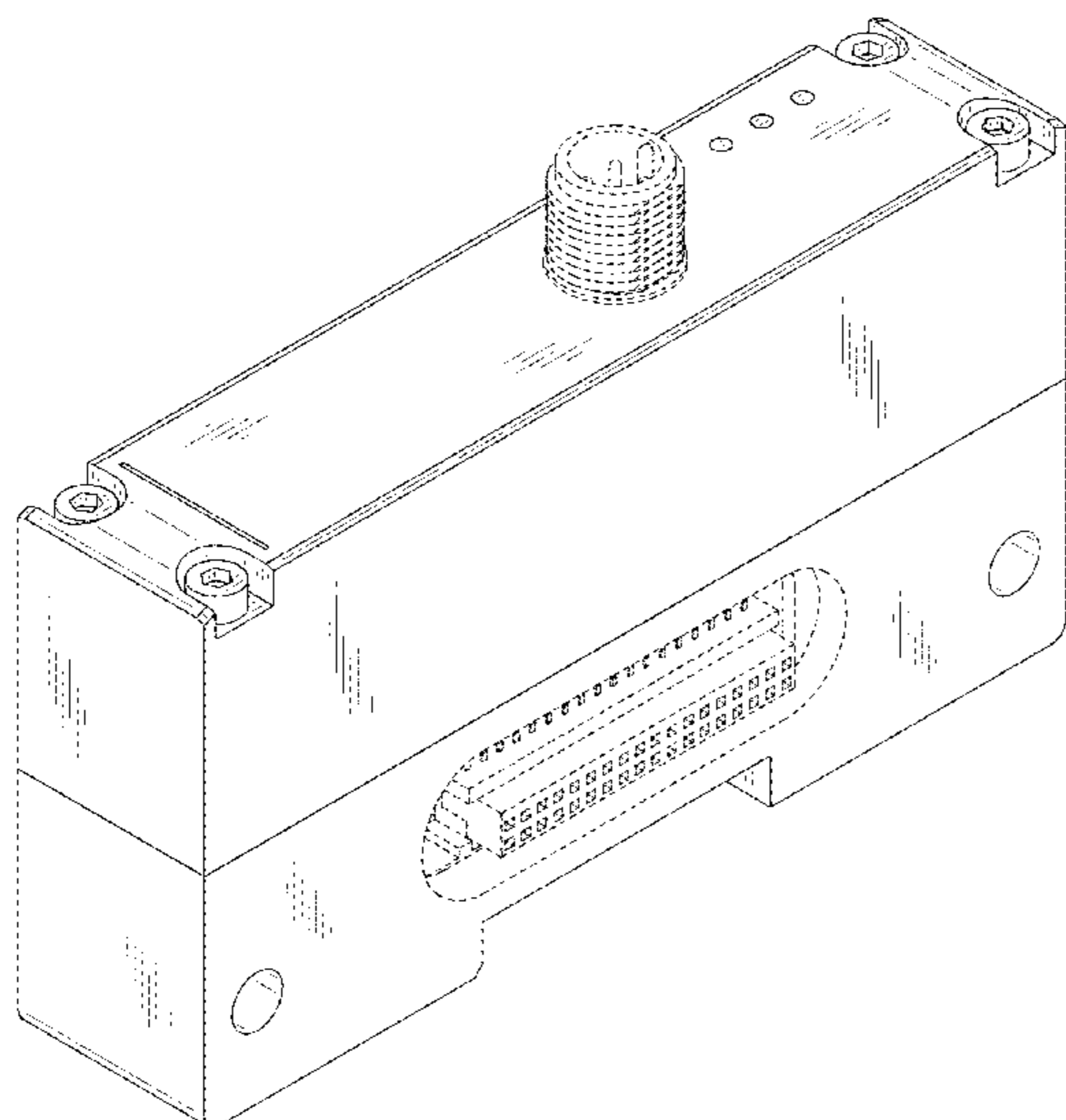


FIG.1

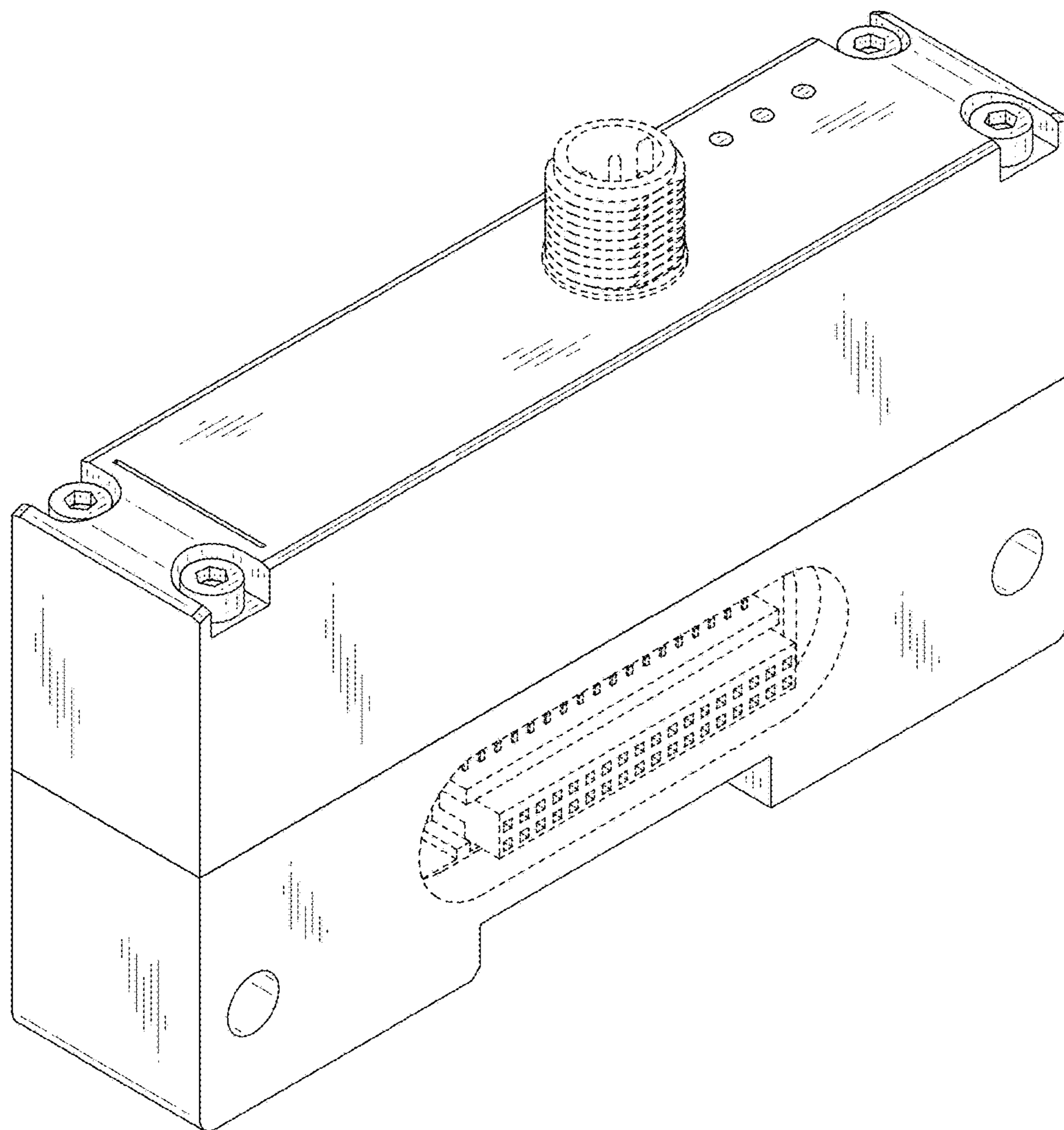


FIG.2

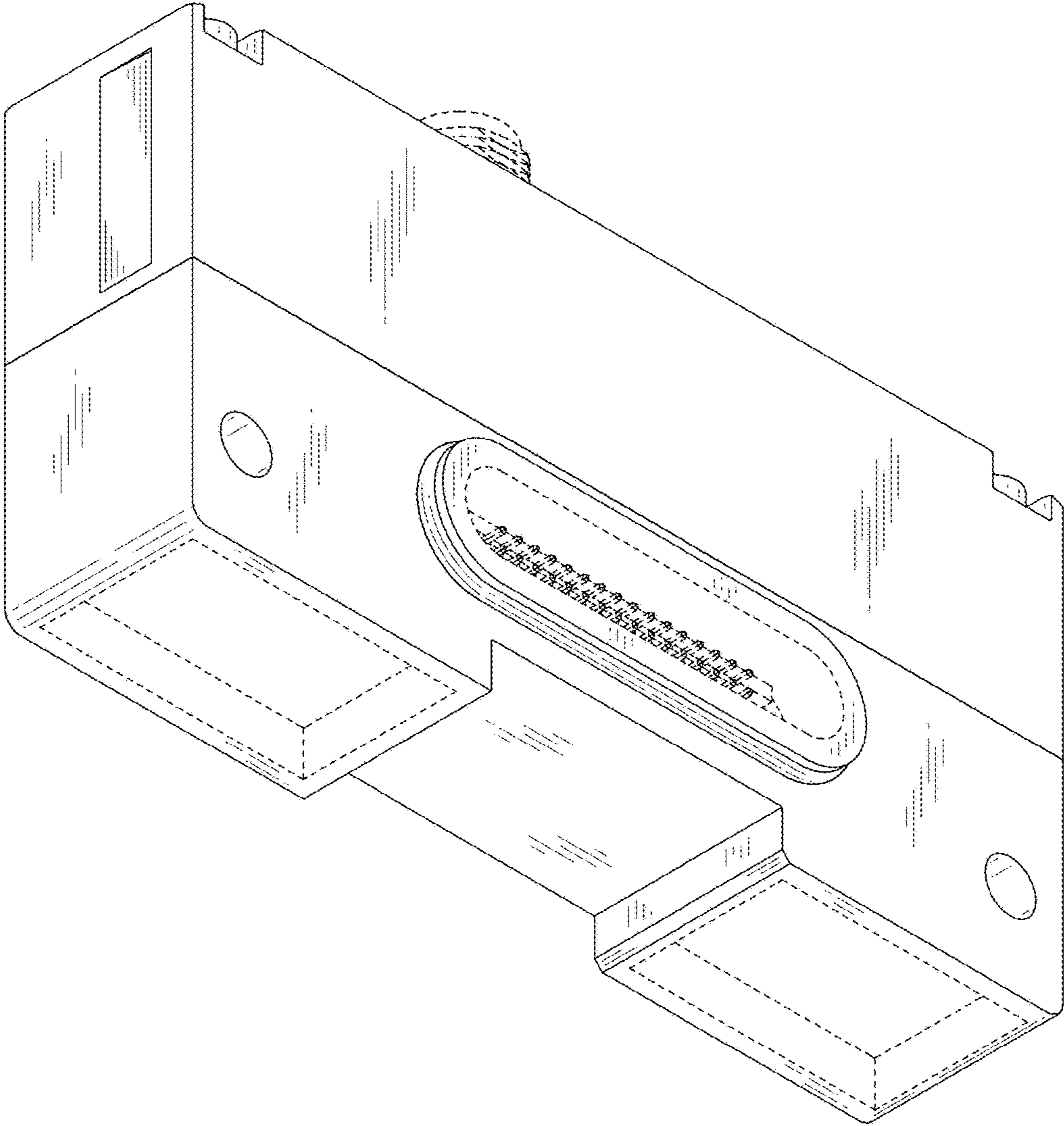


FIG.3

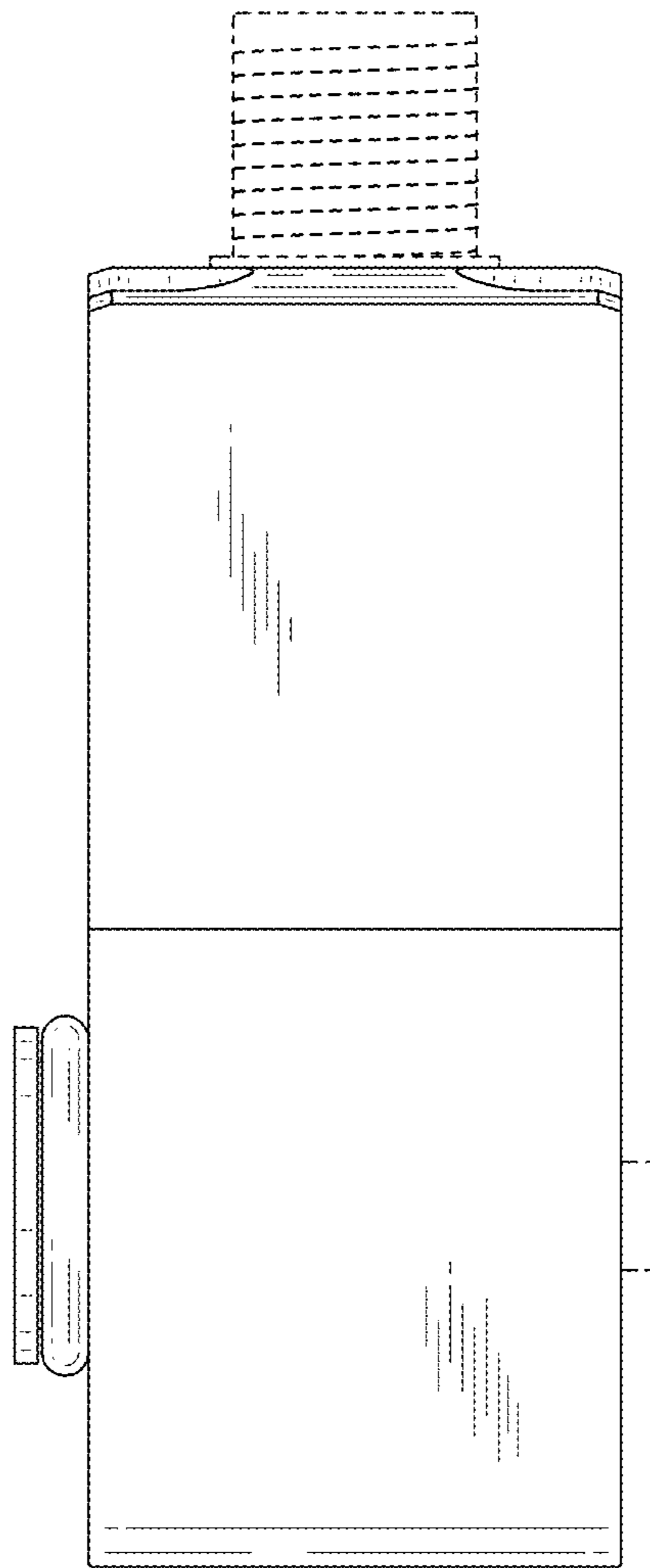


FIG.4

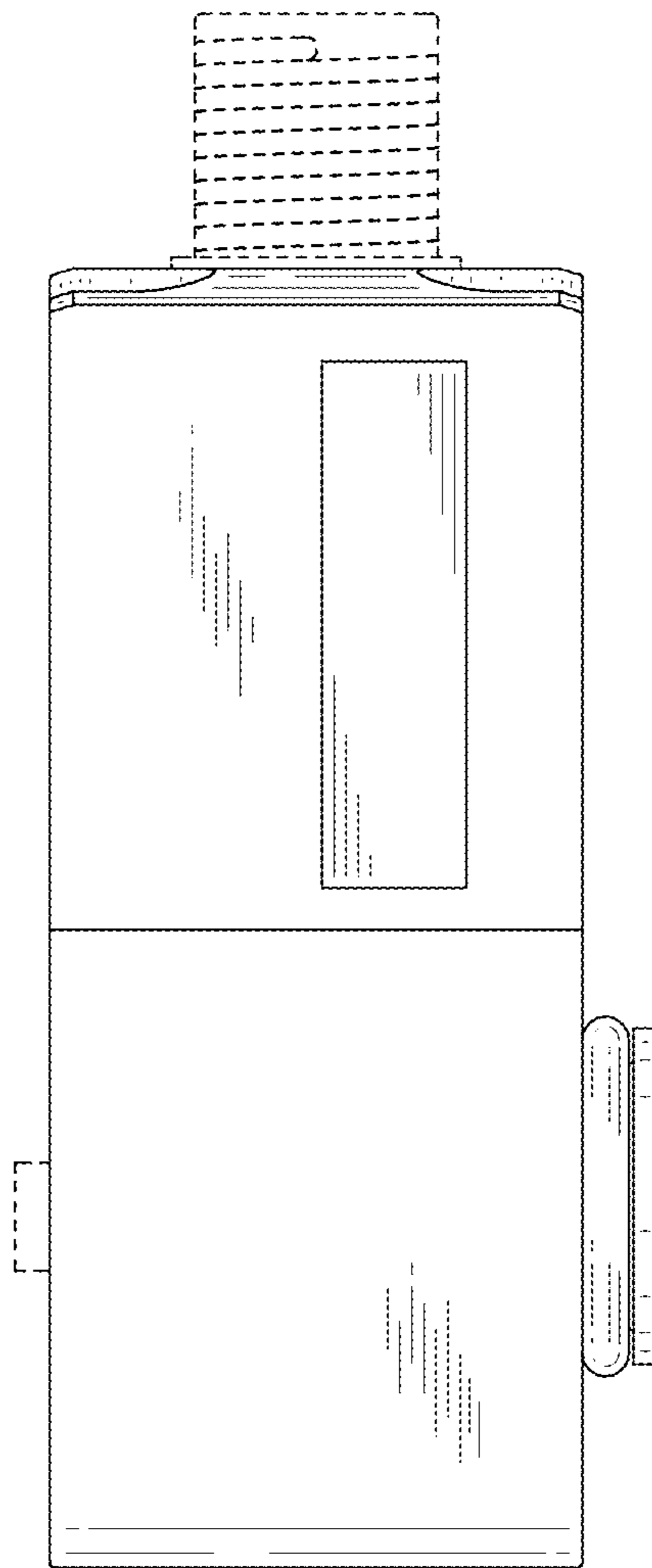


FIG.5

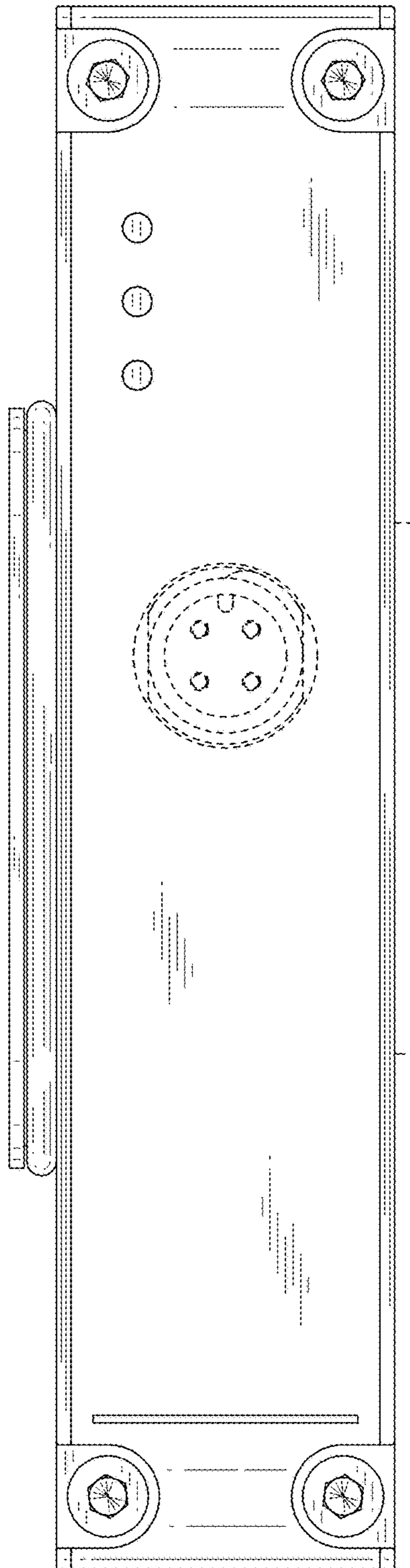


FIG.6

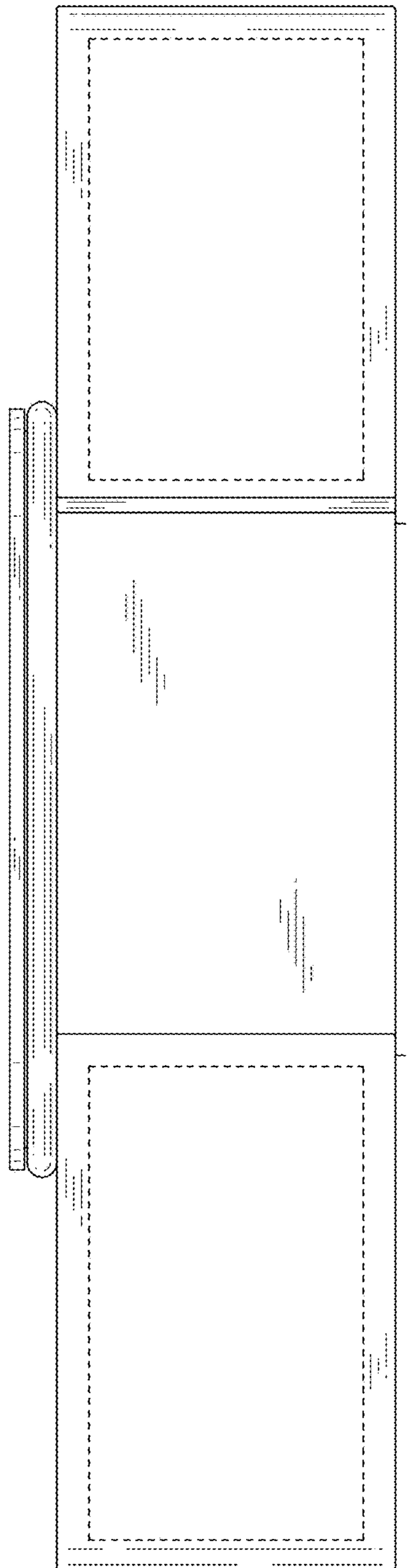


FIG. 7

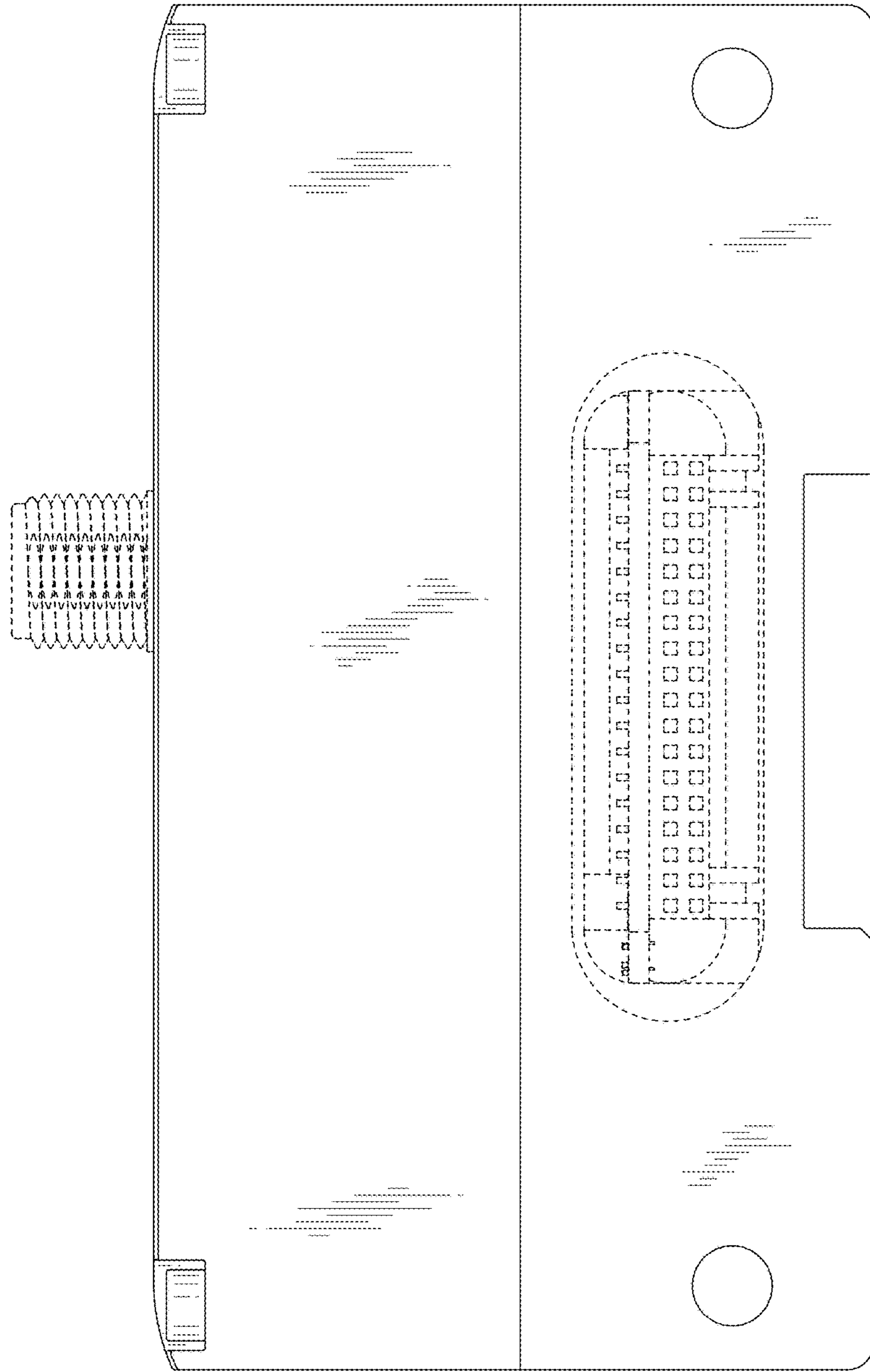




FIG. 8

