



US00D867987S

(12) **United States Design Patent**
Mi et al.

(10) **Patent No.:** **US D867,987 S**

(45) **Date of Patent:** **** Nov. 26, 2019**

(54) **BASE STATION**

(71) Applicant: **Beijing Rockrobo Technology Co., Ltd.**, Beijing (CN)

(72) Inventors: **Chang Mi**, Beijing (CN); **Chuanlin Duan**, Beijing (CN); **Zhijun Li**, Beijing (CN); **Zitao Wang**, Beijing (CN); **Fan Yang**, Beijing (CN); **Xiaoming Liu**, Beijing (CN); **Youcheng Lu**, Beijing (CN); **Liang Qiao**, Beijing (CN)

(73) Assignee: **Beijing Rockrobo Technology Co., Ltd.**, Beijing (CN)

(**) Term: **15 Years**

(21) Appl. No.: **29/617,850**

(22) Filed: **Sep. 15, 2017**

(51) **LOC (12) Cl.** **13-02**

(52) **U.S. Cl.**
USPC **D13/108**

(58) **Field of Classification Search**
USPC D32/21, 31; D13/107-109; 15/319; 701/23
CPC E04H 4/1654; A47L 2201/00; A47L 2201/02; A47L 2201/04; A47L 2201/06; A47L 9/0461; A47L 9/2805; B25J 9/1694; H02J 7/0044
See application file for complete search history.

(56) **References Cited**

U.S. PATENT DOCUMENTS

D510,066 S * 9/2005 Hickey D13/108
7,055,210 B2 * 6/2006 Keppler A47L 9/009
15/319
D551,815 S * 9/2007 Schroeter D32/21
D588,059 S * 3/2009 Fujita D13/108
7,779,504 B2 * 8/2010 Lee A47L 5/225
15/319

D639,237 S * 6/2011 Lee D13/108
D639,735 S * 6/2011 Lee D13/108
D675,154 S * 1/2013 Nam D13/108
D691,553 S * 10/2013 Deoksang D13/108
D698,310 S * 1/2014 Yun D13/108
8,756,751 B2 * 6/2014 Jung A47L 9/106
15/319
D709,446 S * 7/2014 Haug D13/108
8,825,256 B2 * 9/2014 Kim A47L 9/2831
701/23
8,898,854 B2 * 12/2014 Tso A47L 9/2852
15/319
9,462,920 B1 * 10/2016 Morin A47L 11/4011
D782,412 S * 3/2017 Kim D13/108

(Continued)

OTHER PUBLICATIONS

https://www.gearbest.com/robot-vacuum/pp_440546.html, roborock S50 Smart Robot Vacuum Cleaner, printed Feb. 14, 2018, and offered for sale at least as early as Aug. 31, 2016, 11 pgs.

(Continued)

Primary Examiner — Ruth McNroy

(74) *Attorney, Agent, or Firm* — Greenberg Traurig, LLP

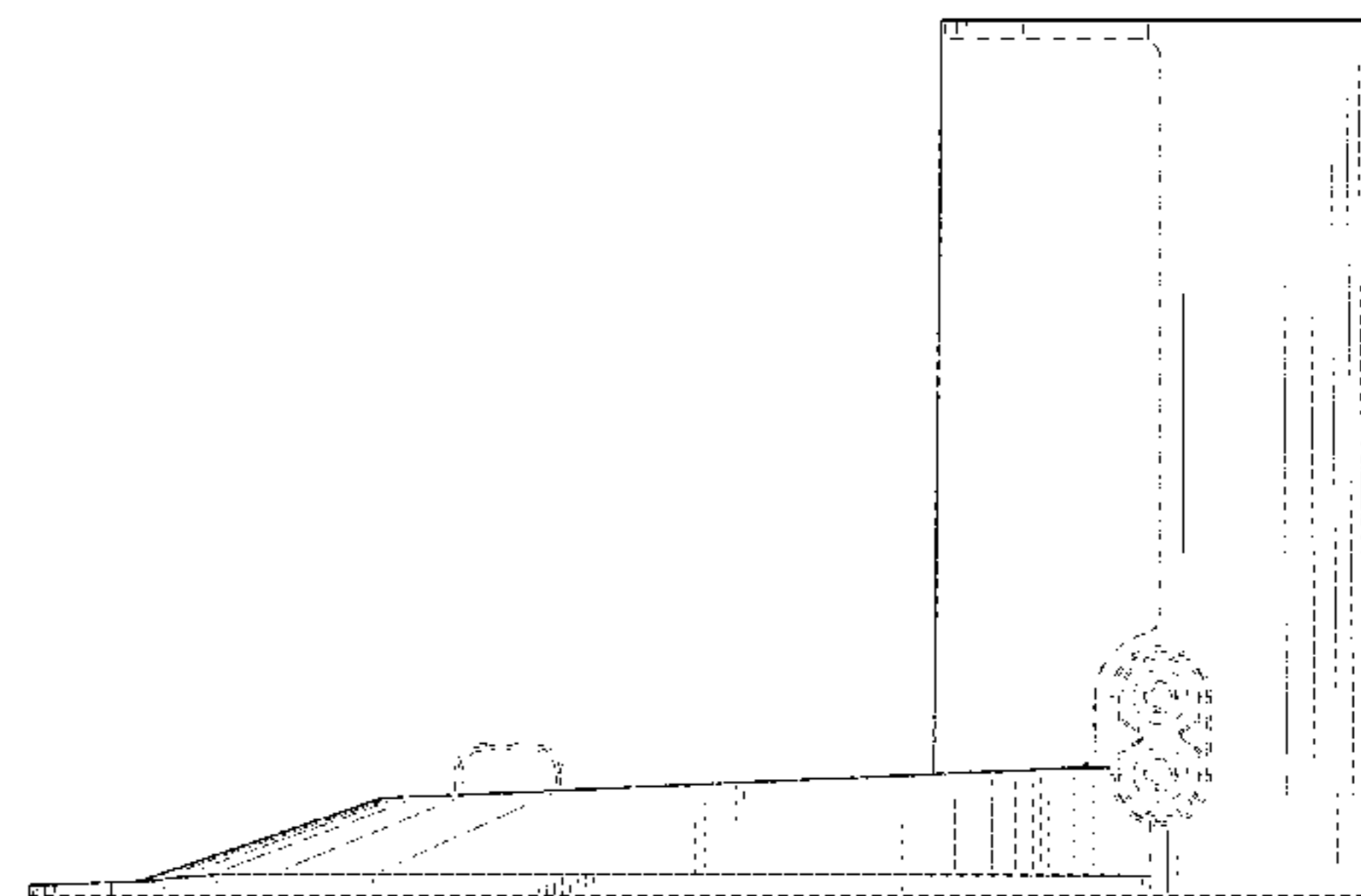
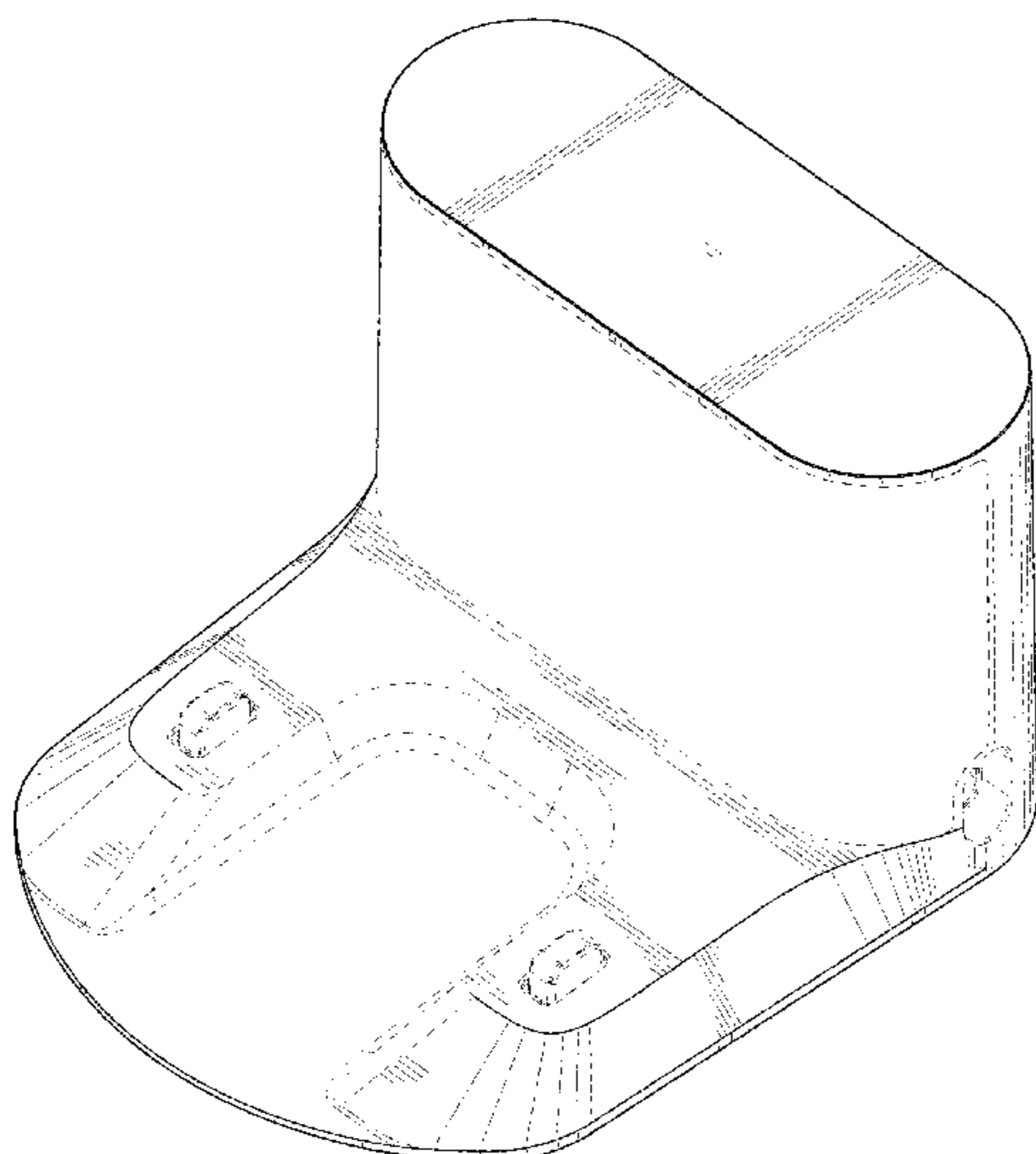
(57) **CLAIM**

We claim the ornamental design for a base station, as shown and described.

DESCRIPTION

FIG. 1 is a perspective view of our base station; FIG. 2 is a front elevational view thereof; FIG. 3 a rear elevational view thereof; FIG. 4 is a right side elevational view thereof; FIG. 5 is a left side elevational view thereof; FIG. 6 is a top plan view thereof; FIG. 7 is a bottom plan view thereof; and, FIG. 8 is a rear perspective view thereof. The dashed lines in the figures form no part of the claimed design.

1 Claim, 8 Drawing Sheets



(56)

References Cited

U.S. PATENT DOCUMENTS

D804,414 S * 12/2017 Tang D13/108
D810,014 S * 2/2018 Haranaka D13/108
9,931,007 B2 * 4/2018 Morin A47L 9/14
D818,433 S * 5/2018 Ebrahimi Afrouzi D13/108
D818,950 S * 5/2018 Ebrahimi Afrouzi D13/108
D818,951 S * 5/2018 Ebrahimi Afrouzi D13/108
10,022,029 B2 * 7/2018 Machida A47L 9/10
10,143,348 B2 * 12/2018 Machida A47L 9/10
10,188,249 B2 * 1/2019 Son A47L 5/362

OTHER PUBLICATIONS

<https://www.mi.com/roomrobot/explain>, translated by Google Translate on Feb. 21, 2018, and offered for sale at least as early as Aug. 31, 2016, 8 pgs.

* cited by examiner

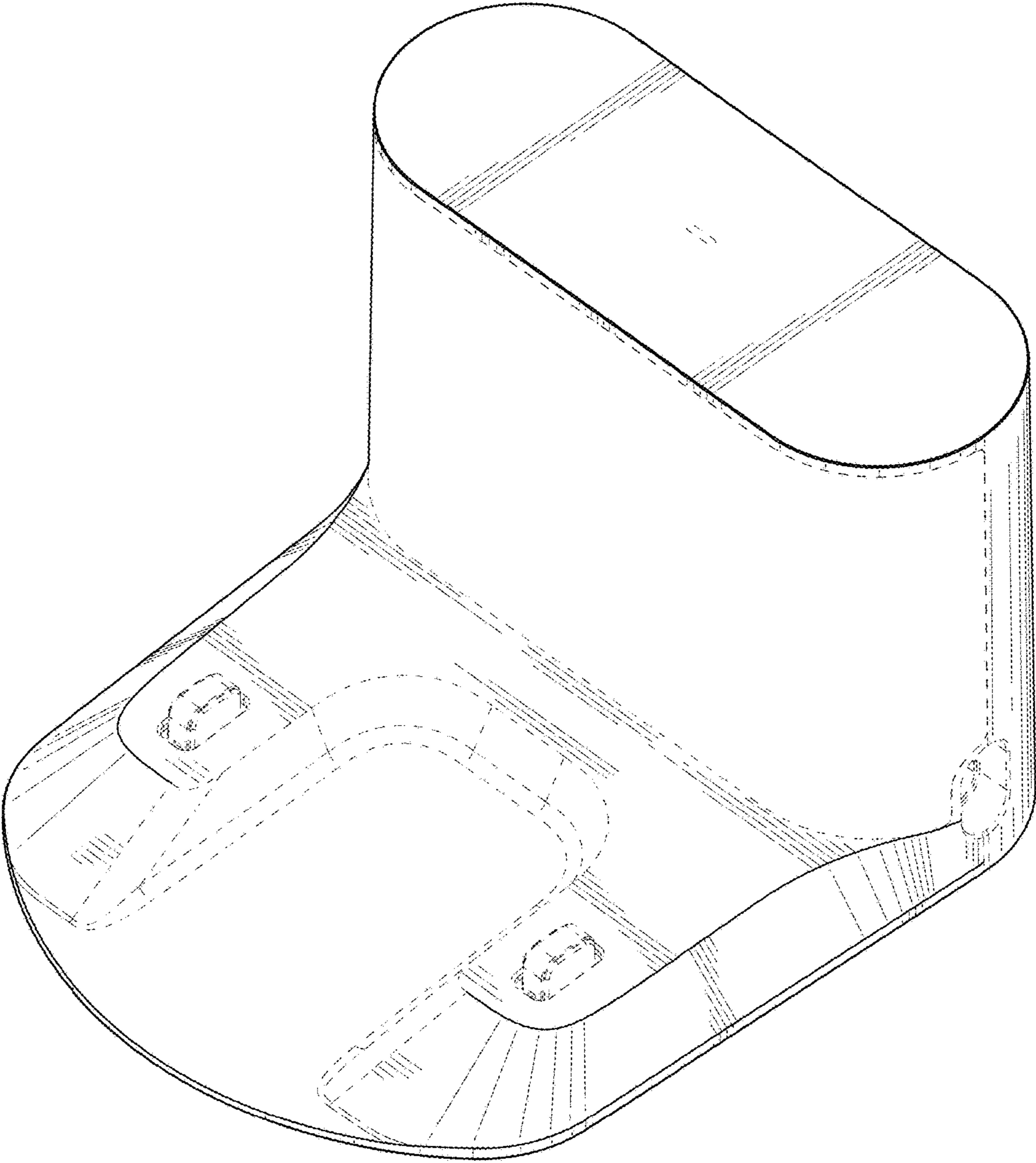


Fig. 1

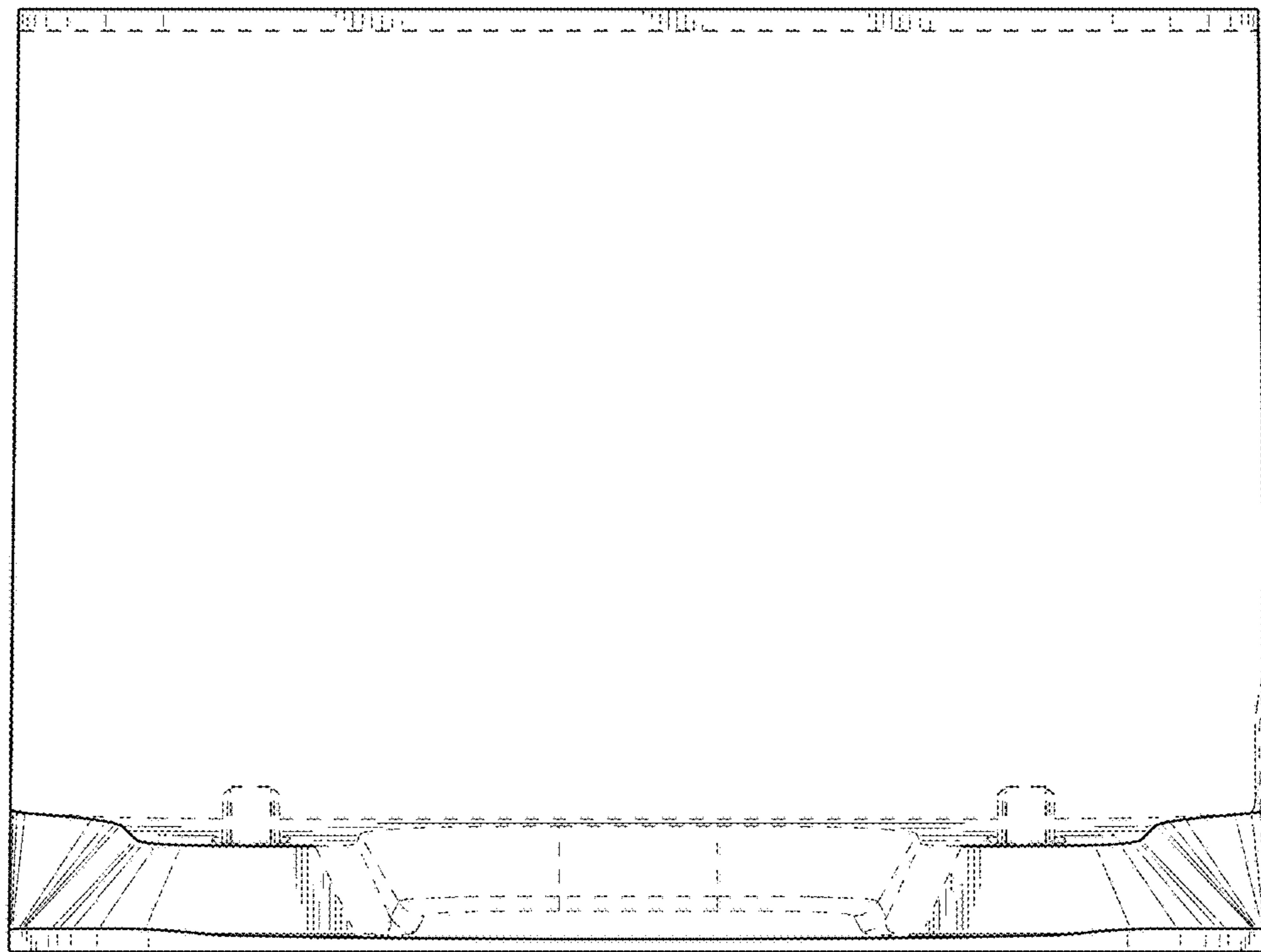


Fig. 2

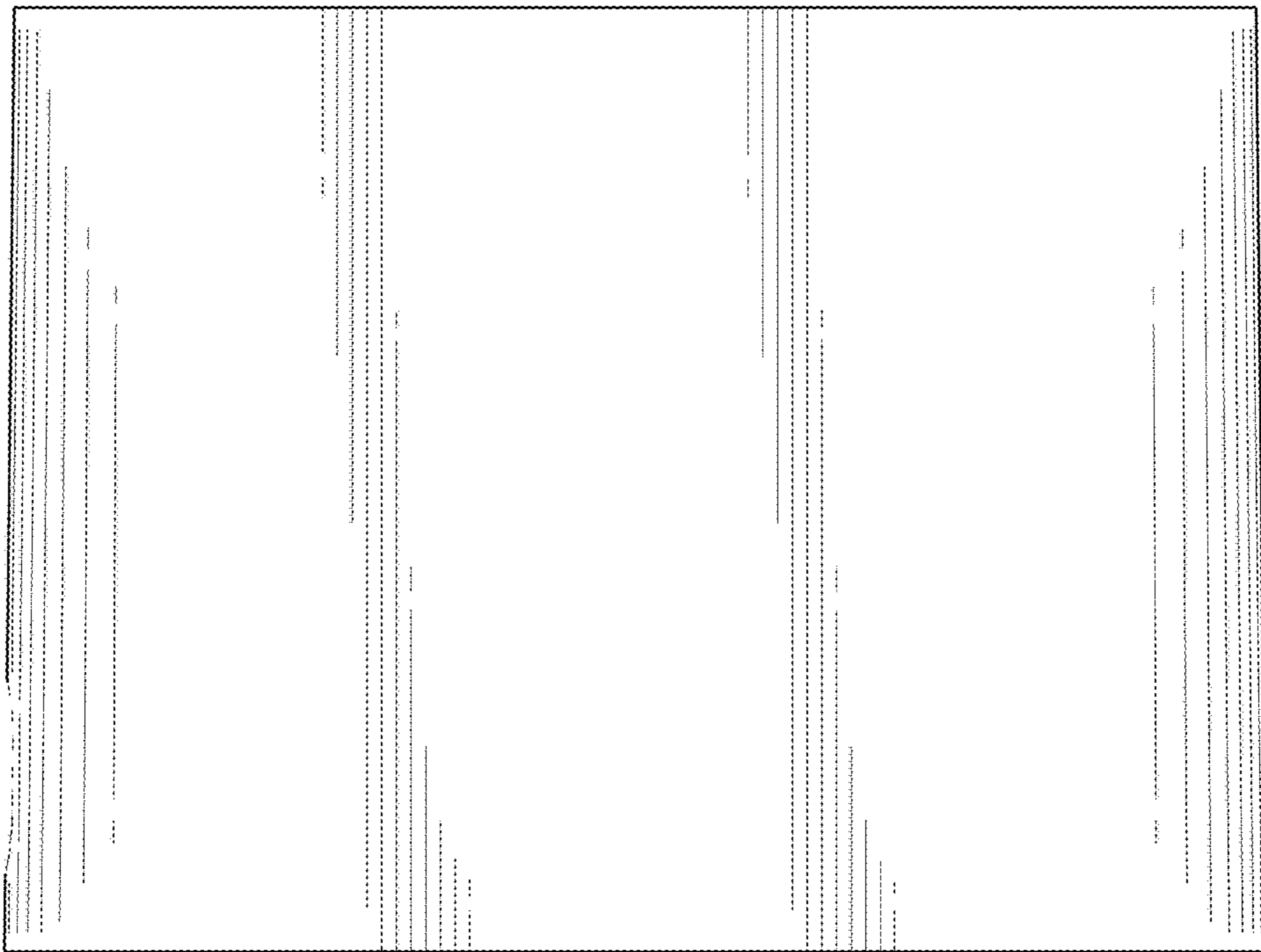


Fig. 3

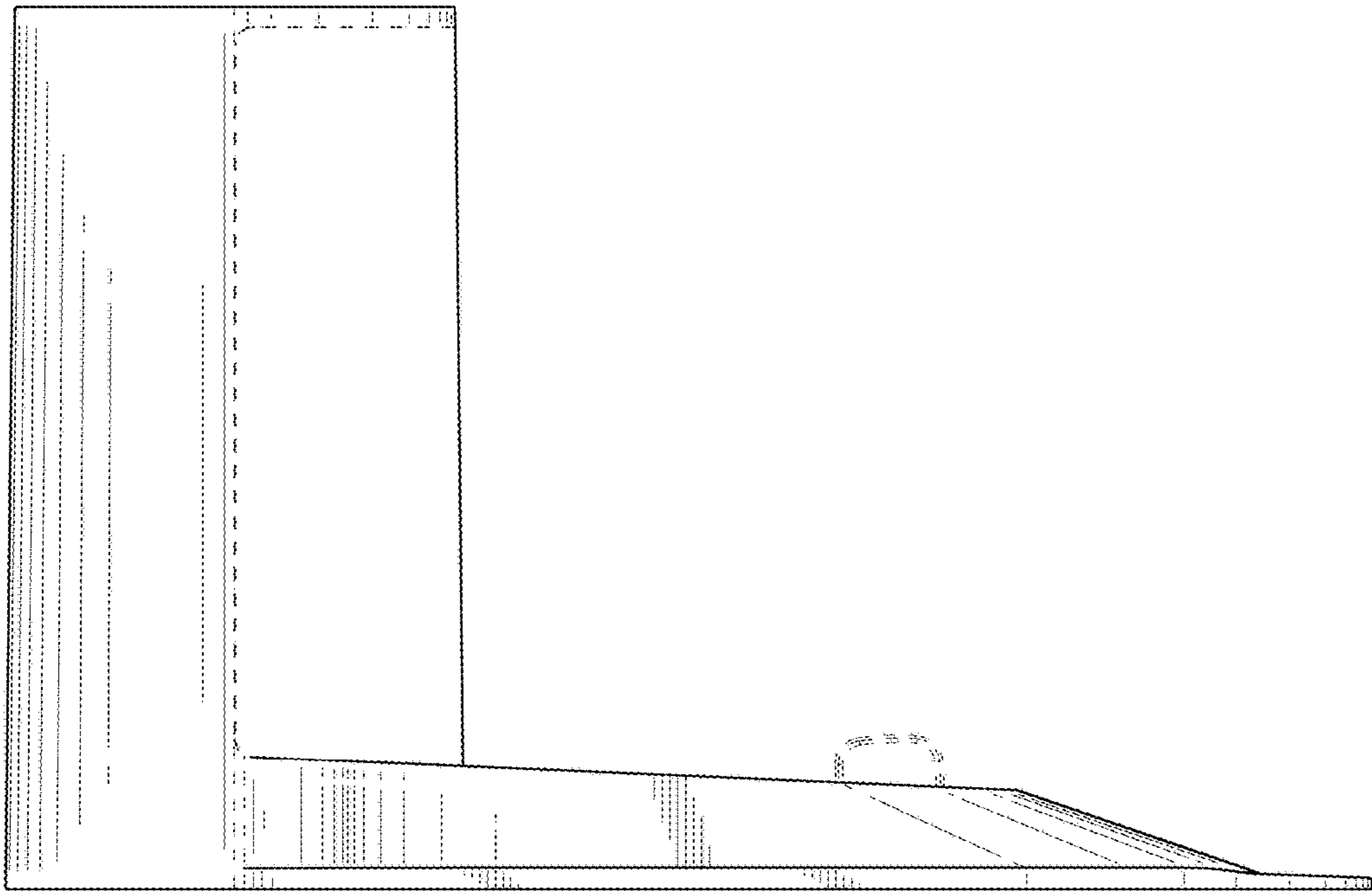


Fig. 4

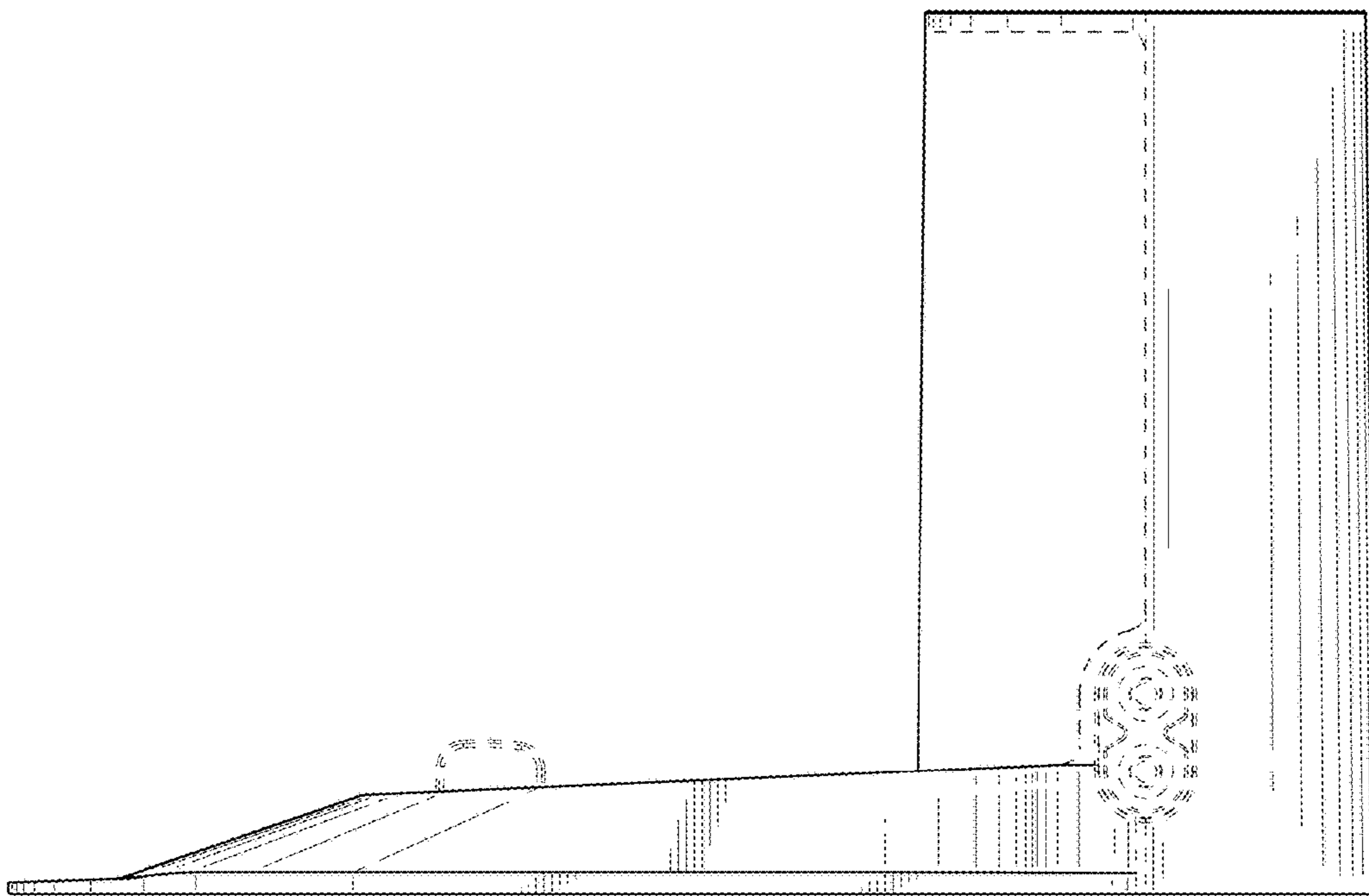


Fig. 5

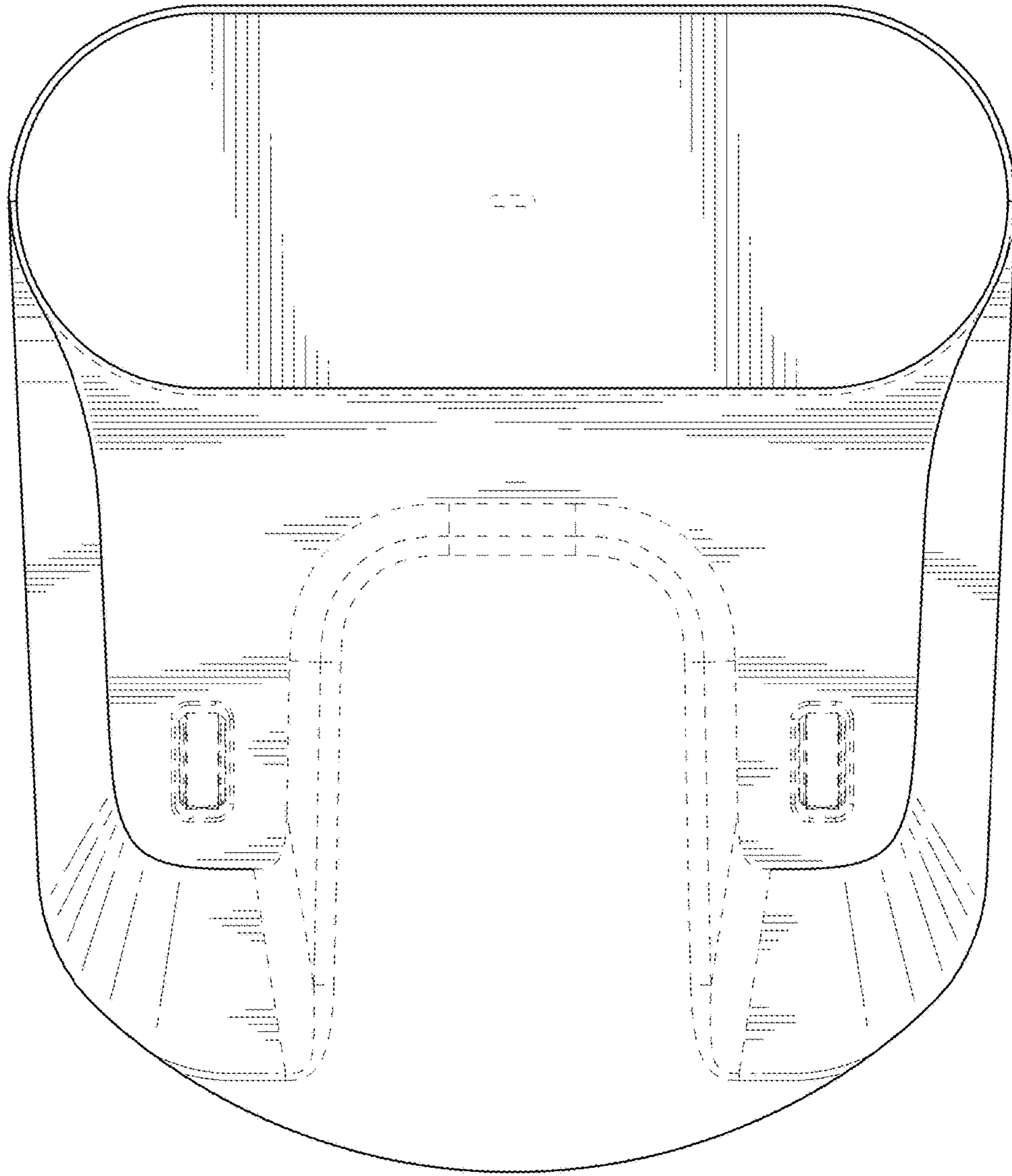


Fig. 6



Fig. 7

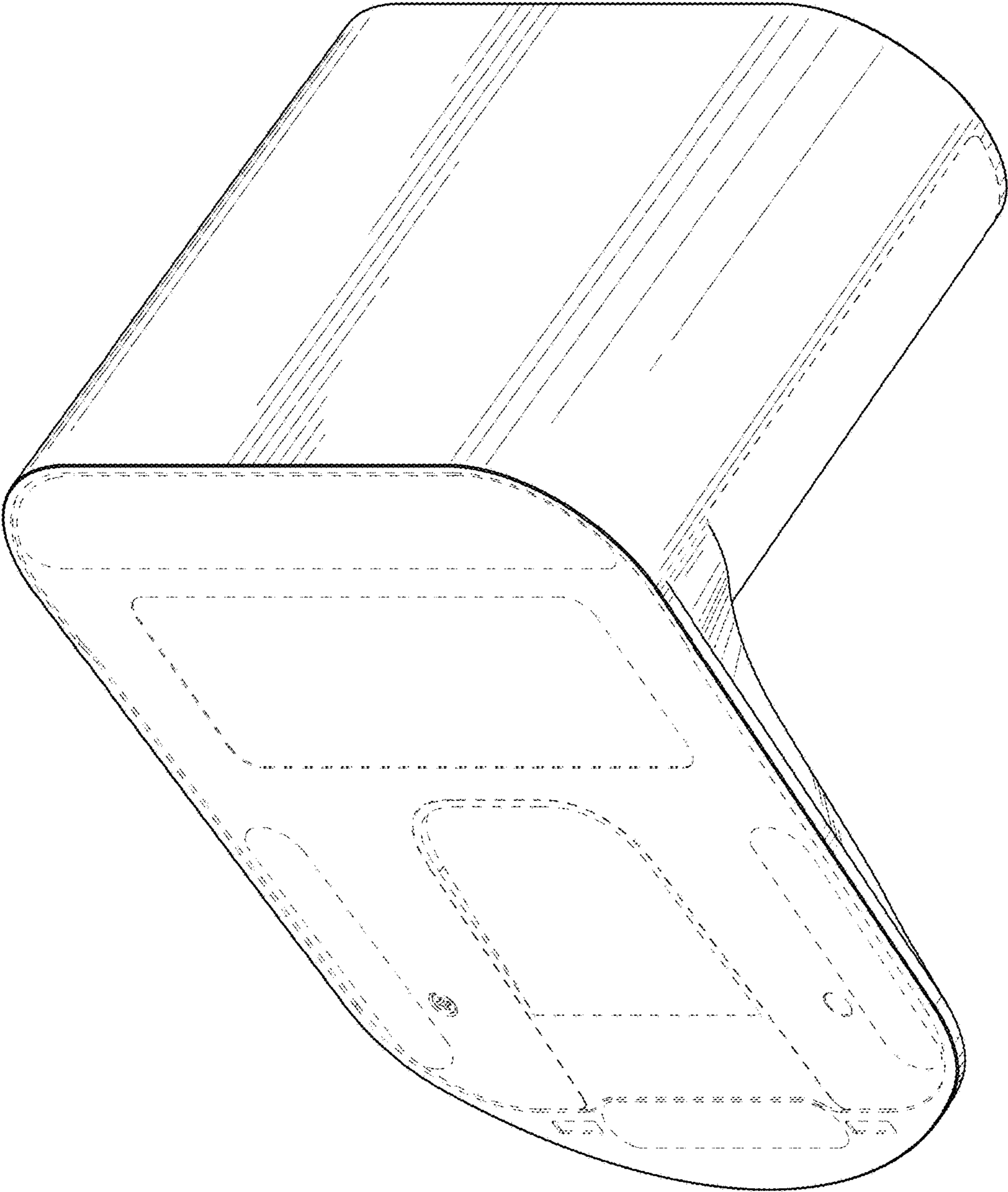


Fig. 8