



US00D867986S

(12) **United States Design Patent** (10) **Patent No.:** **US D867,986 S**
Caradonna (45) **Date of Patent:** **** Nov. 26, 2019**

(54) **ACCUMULATOR CHARGING APPARATUS**

(71) Applicant: **ENERGY2GO SRL, Rome (IT)**

(72) Inventor: **Enrico Caradonna, Rome (IT)**

(73) Assignee: **ENERGY2GO SRL, Rome (IT)**

(**) Term: **15 Years**

(21) Appl. No.: **35/505,100**

(22) Filed: **May 7, 2018**

(80) **Hague Agreement Data**

Int. Filing Date: **May 7, 2018**

Int. Reg. No.: **DM/101202**

Int. Reg. Date: **May 7, 2018**

Int. Reg. Pub. Date: **Jun. 8, 2018**

(30) **Foreign Application Priority Data**

Nov. 7, 2017 (EM) 004498640-0001

Nov. 7, 2017 (EM) 004498640-0003

(51) **LOC (12) Cl.** **13-03**

(52) **U.S. Cl.**
USPC **D13/107**

(58) **Field of Classification Search**
USPC D13/107, 102, 108, 103, 110; D14/434;
D24/186
CPC H02J 7/0045; H02J 7/0042; F15B 1/106;
G01R 31/385; B60L 11/1825; G06Q
30/0603
See application file for complete search history.

(56) **References Cited**

U.S. PATENT DOCUMENTS

4,449,552 A * 5/1984 Porel F15B 1/106
138/30

5,926,005 A * 7/1999 Holcomb H02J 7/0042
320/107

5,955,866 A * 9/1999 Peng G01R 31/385
320/105
D581,355 S * 11/2008 Grant D13/107
7,716,083 B1 * 5/2010 Stouvenot G06Q 30/0603
705/26.5
D669,027 S * 10/2012 Kumpula D13/108
D695,215 S * 12/2013 Neidhart D13/107
8,865,339 B2 * 10/2014 Enari H01M 2/105
429/159
D735,134 S * 7/2015 Dasbach D13/110
9,090,172 B2 * 7/2015 Ranga B60L 11/1825
D749,503 S * 2/2016 Ferguson D13/107
D778,829 S * 2/2017 Marmus D13/108
D800,056 S * 10/2017 Lakamp D13/102
D808,021 S * 1/2018 Coonahan D24/186
D812,064 S * 3/2018 Wengreen D14/434
D814,410 S * 4/2018 Emslie D13/108
10,084,329 B2 * 9/2018 Hamilton H02J 7/0045
D829,648 S * 10/2018 Chen D13/107
D832,783 S * 11/2018 Leabman D13/108
D835,574 S * 12/2018 Trongone D13/103
D845,233 S * 4/2019 Zeng D13/108

* cited by examiner

Primary Examiner — Rhea Shields

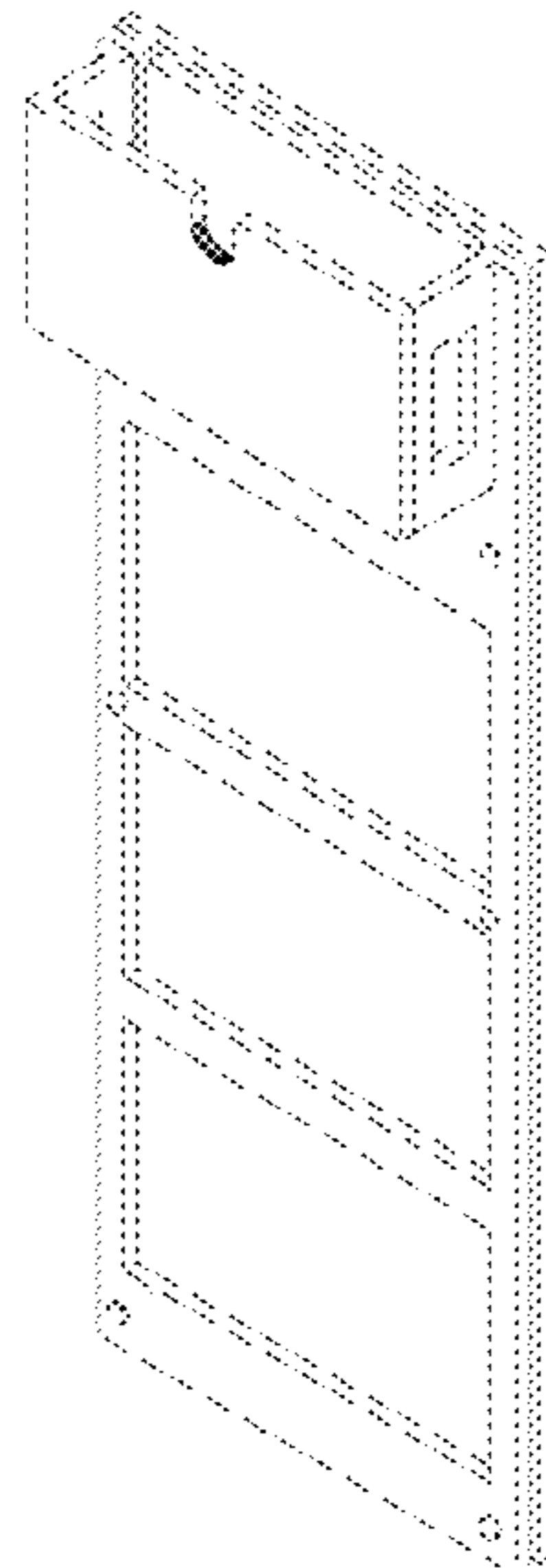
(57) **CLAIM**

The ornamental design for a accumulator charging apparatus, as shown and described.

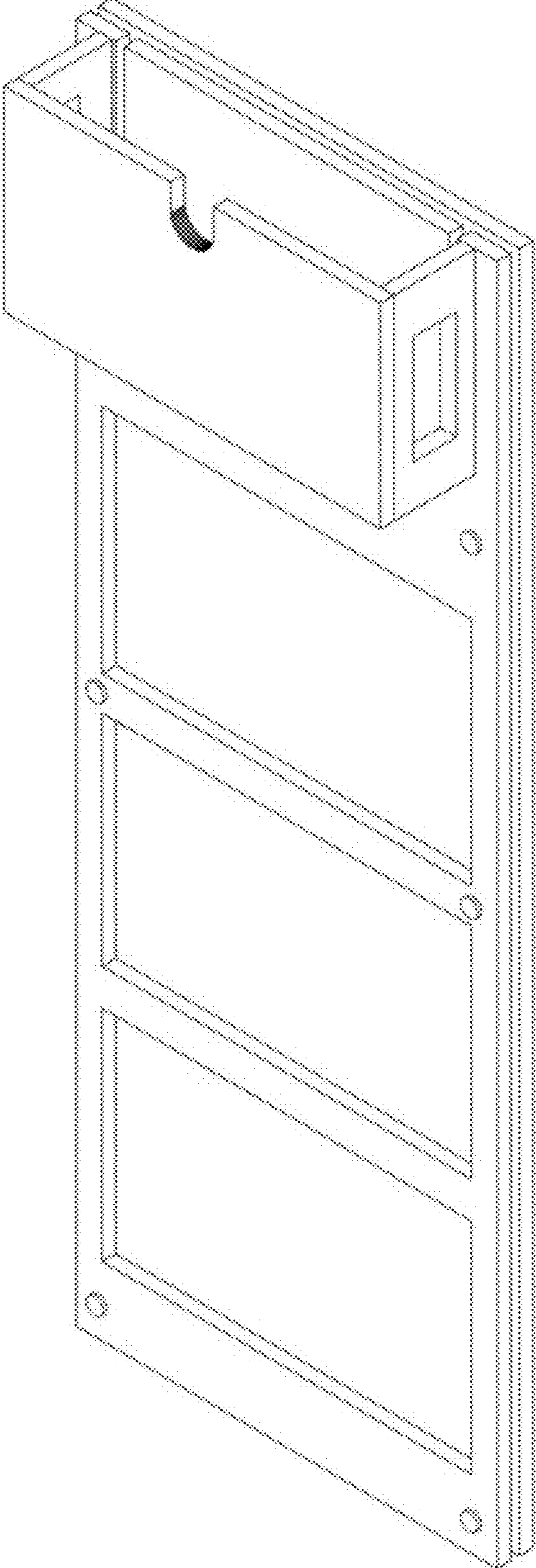
DESCRIPTION

- 1. Accumulator charging apparatus
- 1.1 : Perspective
- 1.2 : Front
- 1.3 : Left
- 1.4 : Right
- 1.5 : Top
- 1.6 : Bottom
- 1.7 : Back
- 1.8 : Perspective

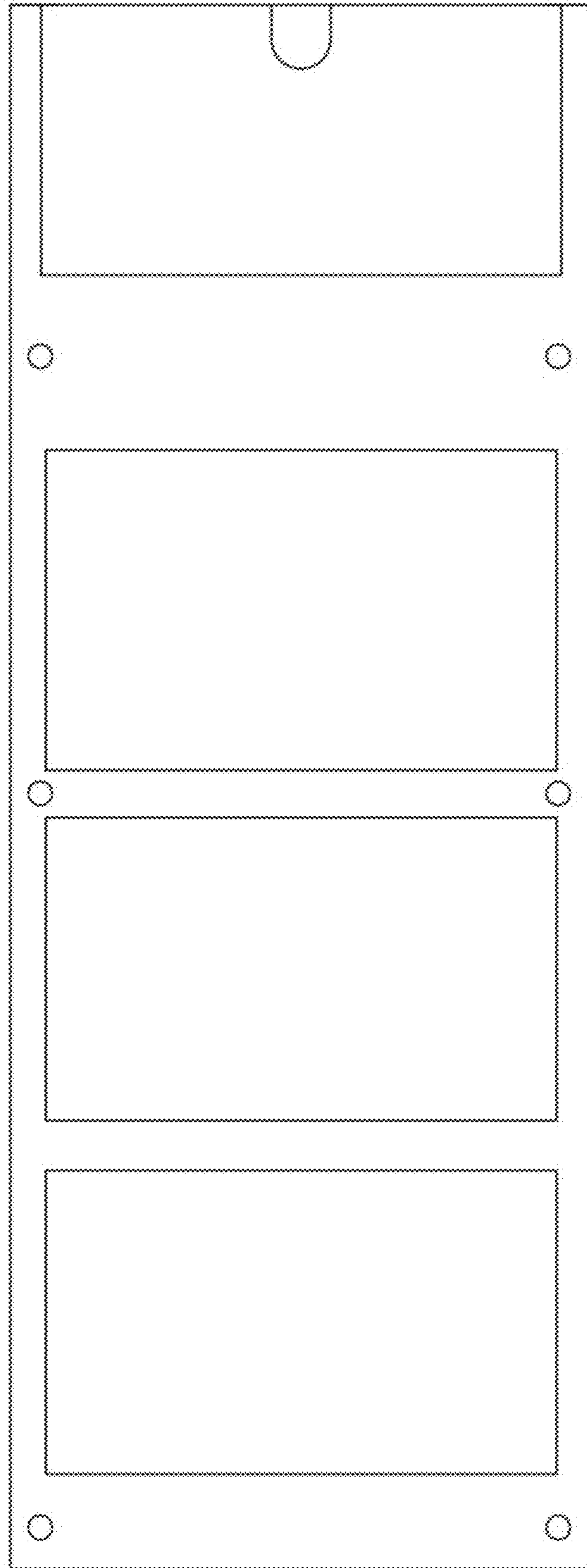
1 Claim, 8 Drawing Sheets



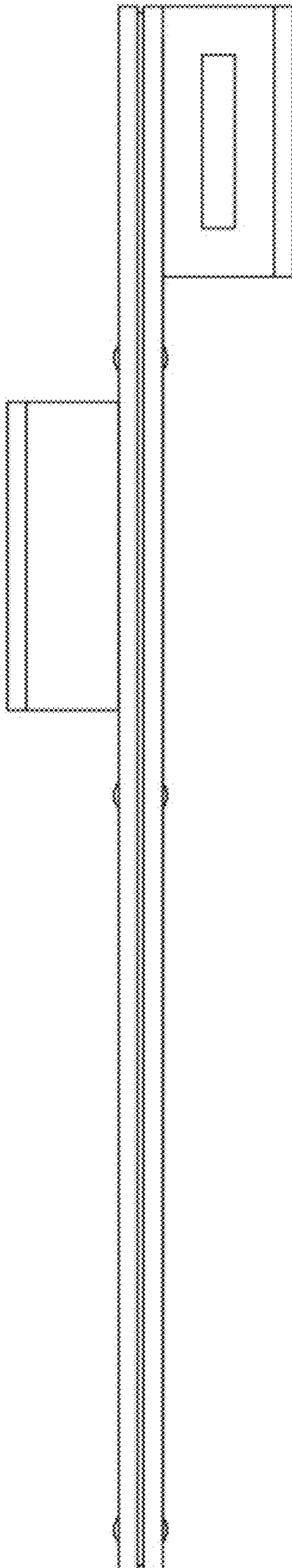
1.1



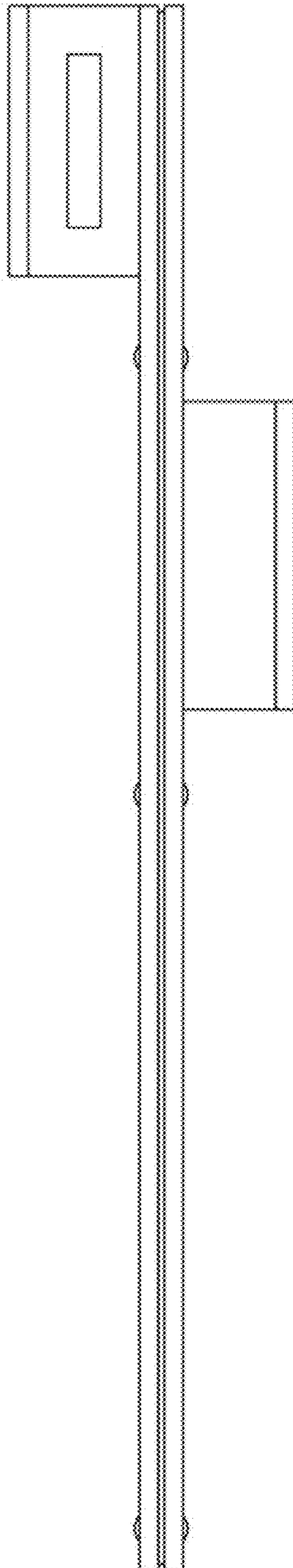
1.2



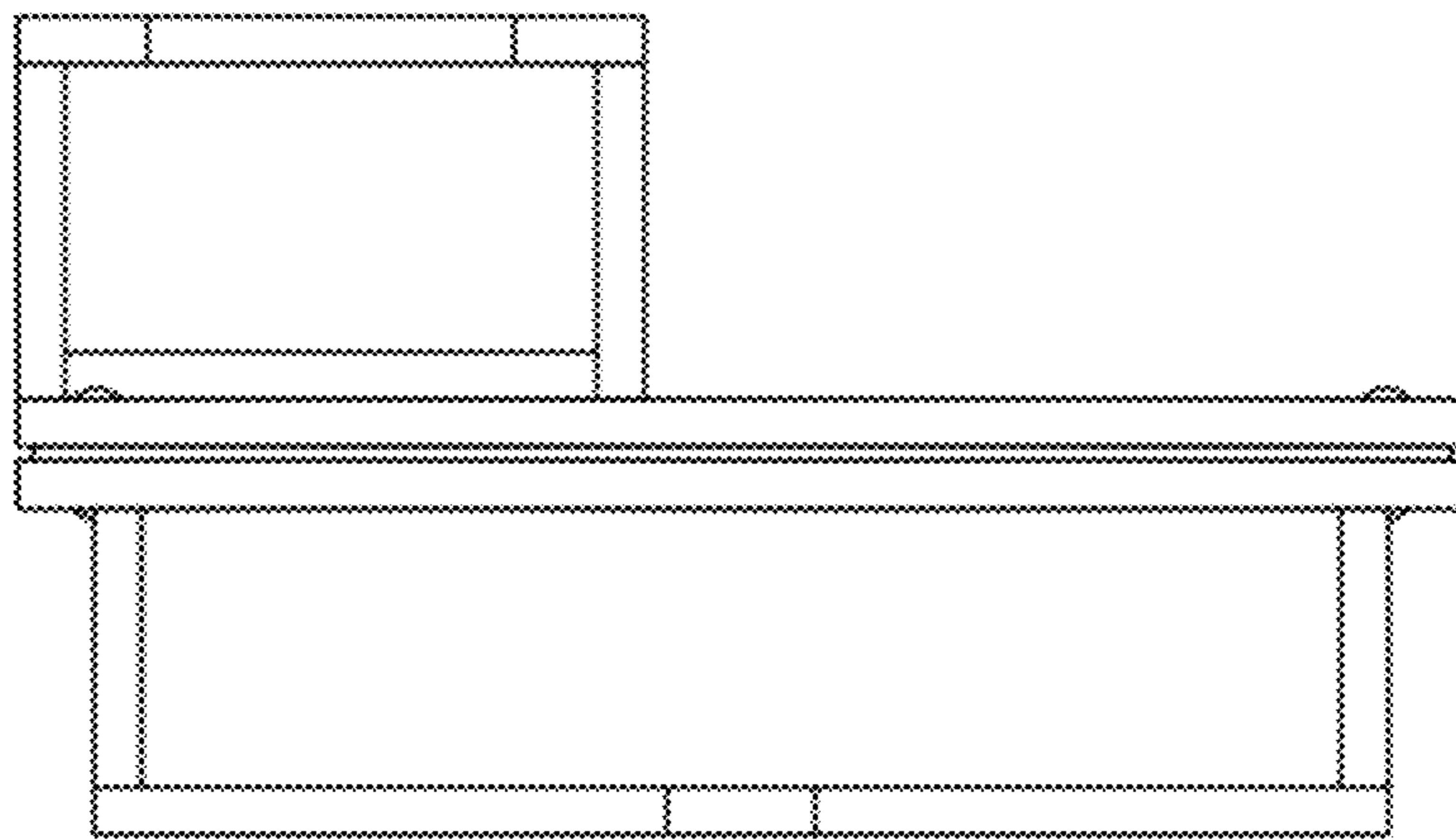
1.3



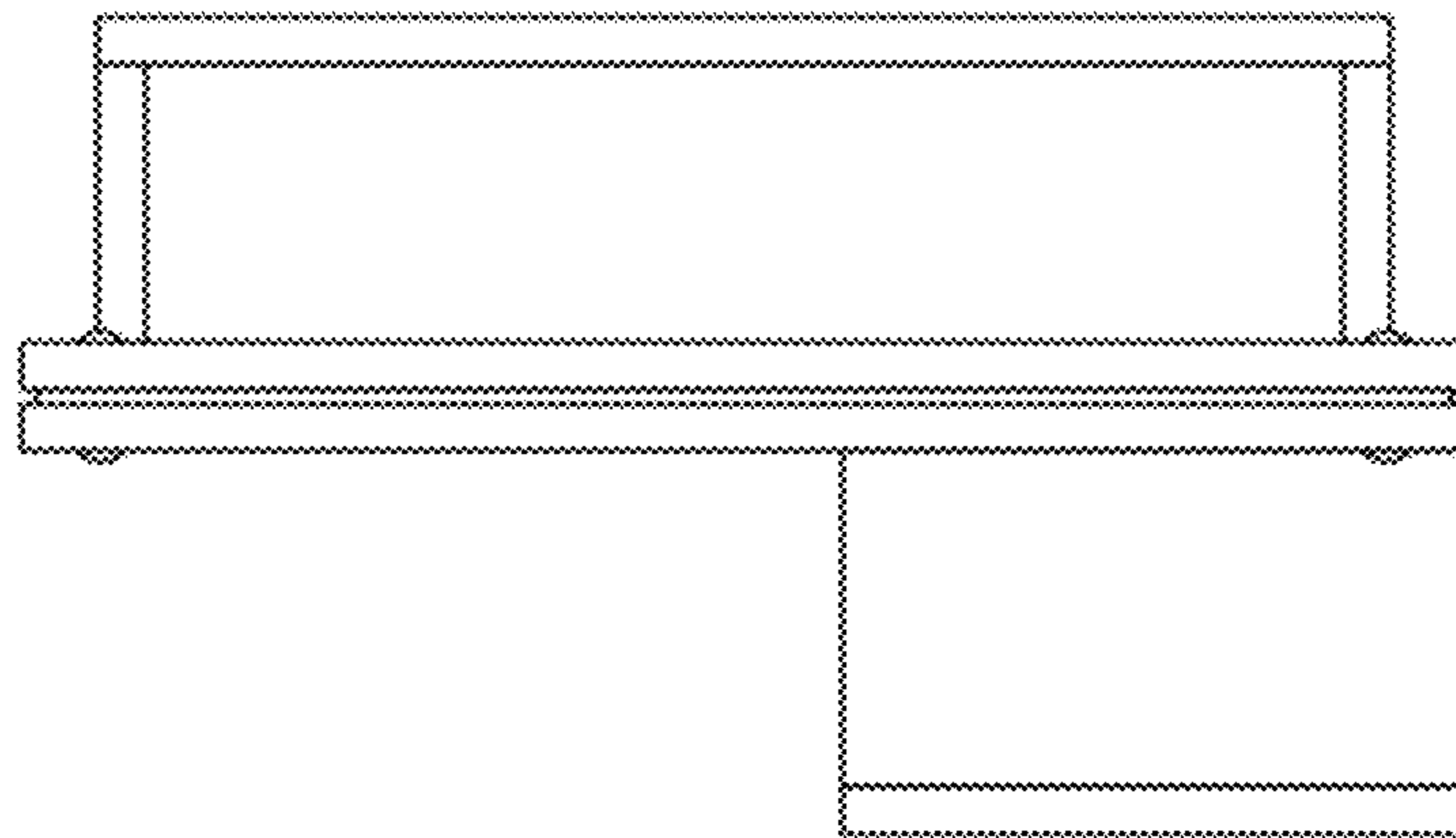
1.4



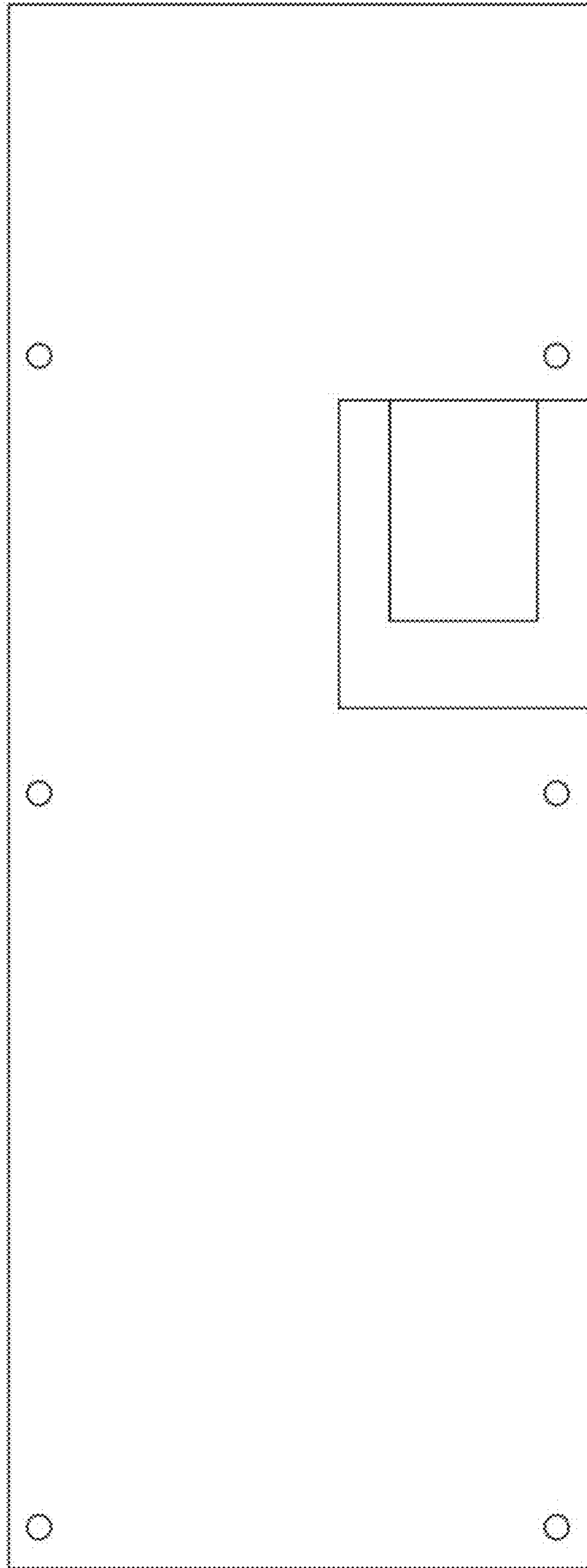
1.5



1.6



1.7



1.8

