

US00D867984S

(12) **United States Design Patent**  
**Kojima et al.**

(10) **Patent No.:** **US D867,984 S**

(45) **Date of Patent:** **\*\* Nov. 26, 2019**

(54) **PORTABLE BATTERY CHARGER WITH SOLAR CELLS**

(71) Applicant: **ZEON CORPORATION**, Chiyoda-ku, Tokyo (JP)

(72) Inventors: **Kiyoshige Kojima**, Tokyo (JP); **Yuki Hayashi**, Tokyo (JP)

(73) Assignee: **ZEON CORPORATION**, Chiyoda-ku, Tokyo (JP)

(\*\*) Term: **15 Years**

(21) Appl. No.: **29/649,179**

(22) Filed: **May 28, 2018**

(30) **Foreign Application Priority Data**

Nov. 30, 2017 (JP) ..... 2017-026800

(51) **LOC (12) Cl.** ..... **13-02**

(52) **U.S. Cl.**  
USPC ..... **D13/102**

(58) **Field of Classification Search**  
USPC ..... D13/101, 102, 110, 133, 182, 199  
CPC ..... Y02E 10/40; Y02E 10/44; Y02E 10/52;  
Y02E 10/542; Y02E 10/544; E04H 4/08;  
H01L 31/00; H01L 31/042; H01L 31/045;  
H01L 31/048; H01L 31/052; H01L 31/184;  
H01L 31/0232; H01L 31/0508;  
H01L 31/0512; H01L 31/0543  
See application file for complete search history.

(56) **References Cited**

**U.S. PATENT DOCUMENTS**

4,283,106 A \* 8/1981 Bunnell ..... H01L 31/02013  
136/244  
D627,279 S \* 11/2010 Fisker ..... D12/169  
9,045,174 B2 \* 6/2015 Dixon ..... B62D 25/182  
D767,484 S \* 9/2016 Morad ..... D13/102

9,550,533 B2 \* 1/2017 Wylezinski ..... B62D 25/163  
D814,402 S \* 4/2018 Cheung ..... D13/102  
D817,867 S \* 5/2018 Kojima ..... D13/102  
2011/0265849 A1 \* 11/2011 Hong ..... H01L 31/0504  
136/244

(Continued)

**FOREIGN PATENT DOCUMENTS**

JP 1580840 S 7/2017

*Primary Examiner* — Susan Bennett Hattan

*Assistant Examiner* — Suzanne E Tisdell

(74) *Attorney, Agent, or Firm* — Kenja IP Law PC

(57) **CLAIM**

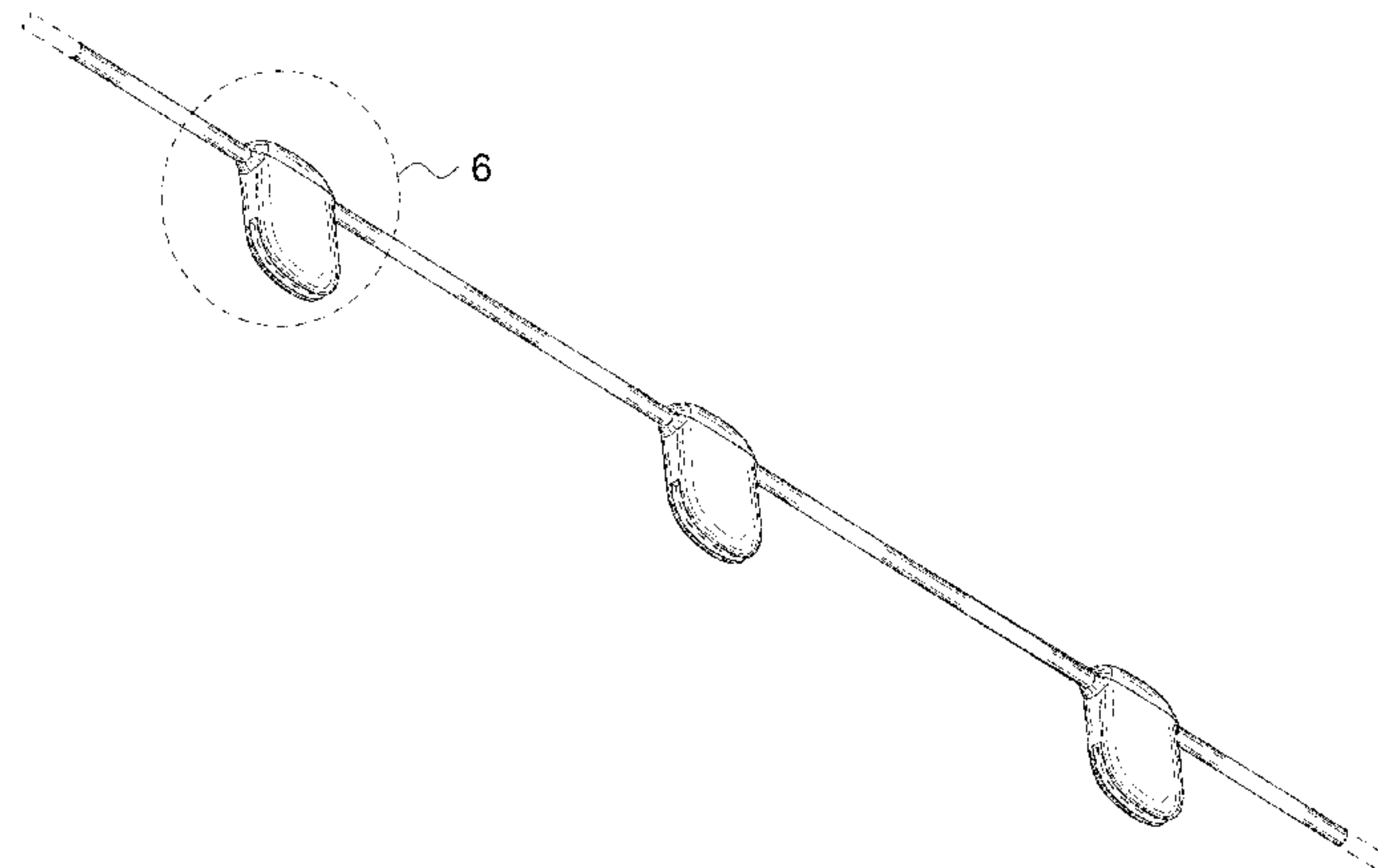
The ornamental design for a portable battery charger with solar cells, as shown and described.

**DESCRIPTION**

FIG. 1 is a perspective view of a portable battery charger with solar cells showing our new design;  
FIG. 2 is a front view thereof, a rear view being a mirror image of FIG. 2;  
FIG. 3 is a top view thereof;  
FIG. 4 is a right side view thereof, a left side view being a mirror image of FIG. 4;  
FIG. 5 is a bottom view thereof;  
FIG. 6 is an enlarged perspective view of a circled portion 6 of FIG. 1;  
FIG. 7 is an enlarged another perspective view of FIG. 6; and,  
FIG. 8 is an enlarged sectional view taken along line 8-8 in FIG. 2.

The broken lines in the drawings illustrate portions of the portable battery charger with solar cells that form no part of the claimed design. The dash-dot-dash broken lines are used to show the boundary between unclaimed and claimed subject matter, and thus form no part of the claimed design.

**1 Claim, 8 Drawing Sheets**



(56)

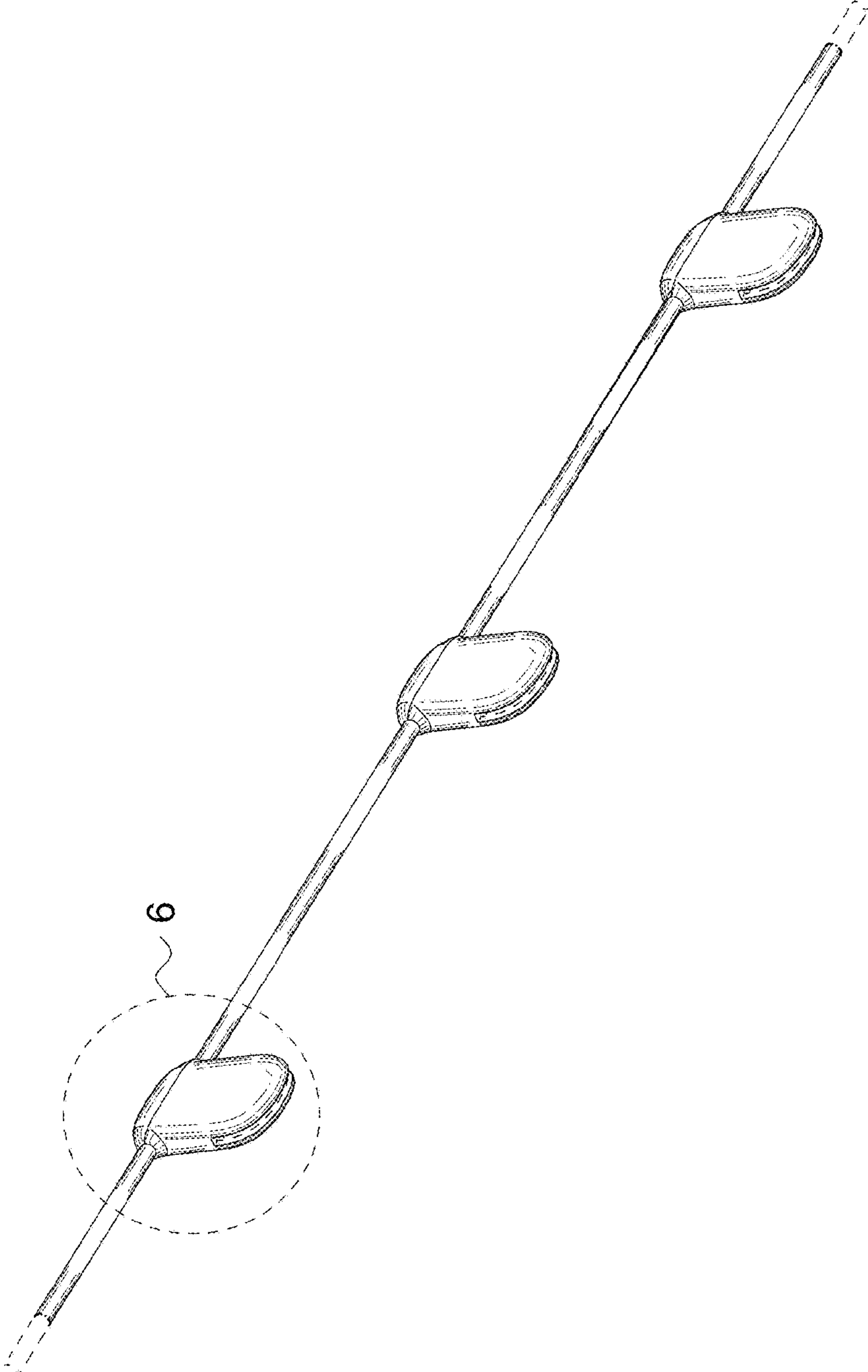
**References Cited**

U.S. PATENT DOCUMENTS

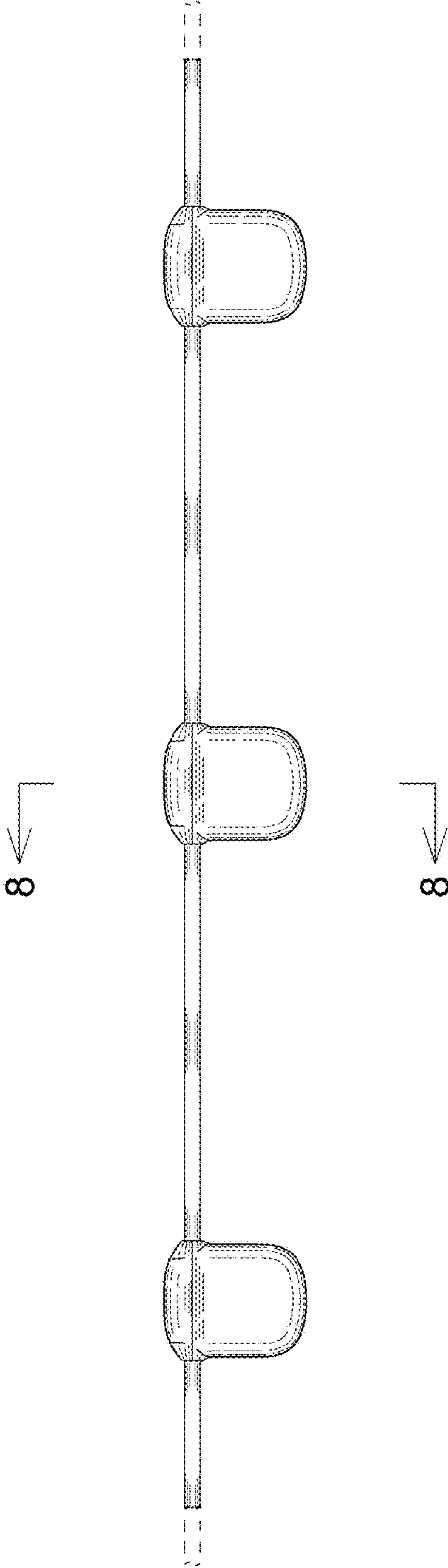
2012/0037215 A1\* 2/2012 Ball ..... F24S 40/20  
136/251  
2012/0227792 A1\* 9/2012 Chen ..... H01L 31/02  
136/251  
2013/0333305 A1\* 12/2013 Stearns ..... E04D 13/10  
52/24  
2014/0301003 A1\* 10/2014 Jankowski ..... H01L 31/02021  
361/57  
2016/0072431 A1\* 3/2016 Solon ..... H02S 40/30  
136/244  
2016/0301354 A1\* 10/2016 Draffin, II ..... H02S 10/40  
2018/0062572 A1\* 3/2018 Kunesh ..... F24S 30/452  
2018/0091089 A1\* 3/2018 Lange ..... H02S 20/32  
2018/0239841 A1\* 8/2018 Wachman ..... G06F 17/5004  
2018/0241343 A1\* 8/2018 Jiang ..... H02S 40/10  
2019/0144138 A1\* 5/2019 Spark ..... B64G 1/222

\* cited by examiner

FIG. 1



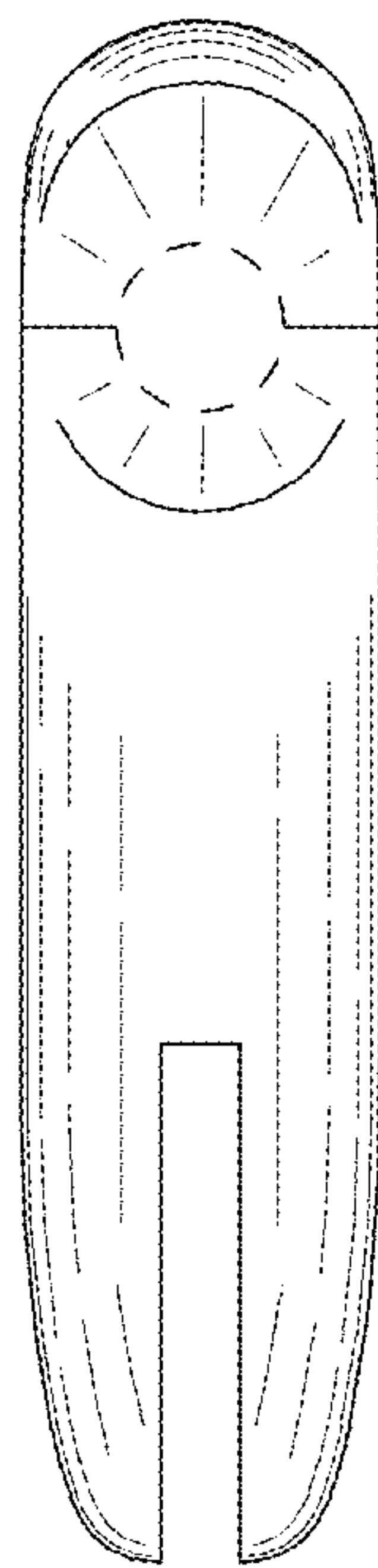
*FIG. 2*



*FIG. 3*



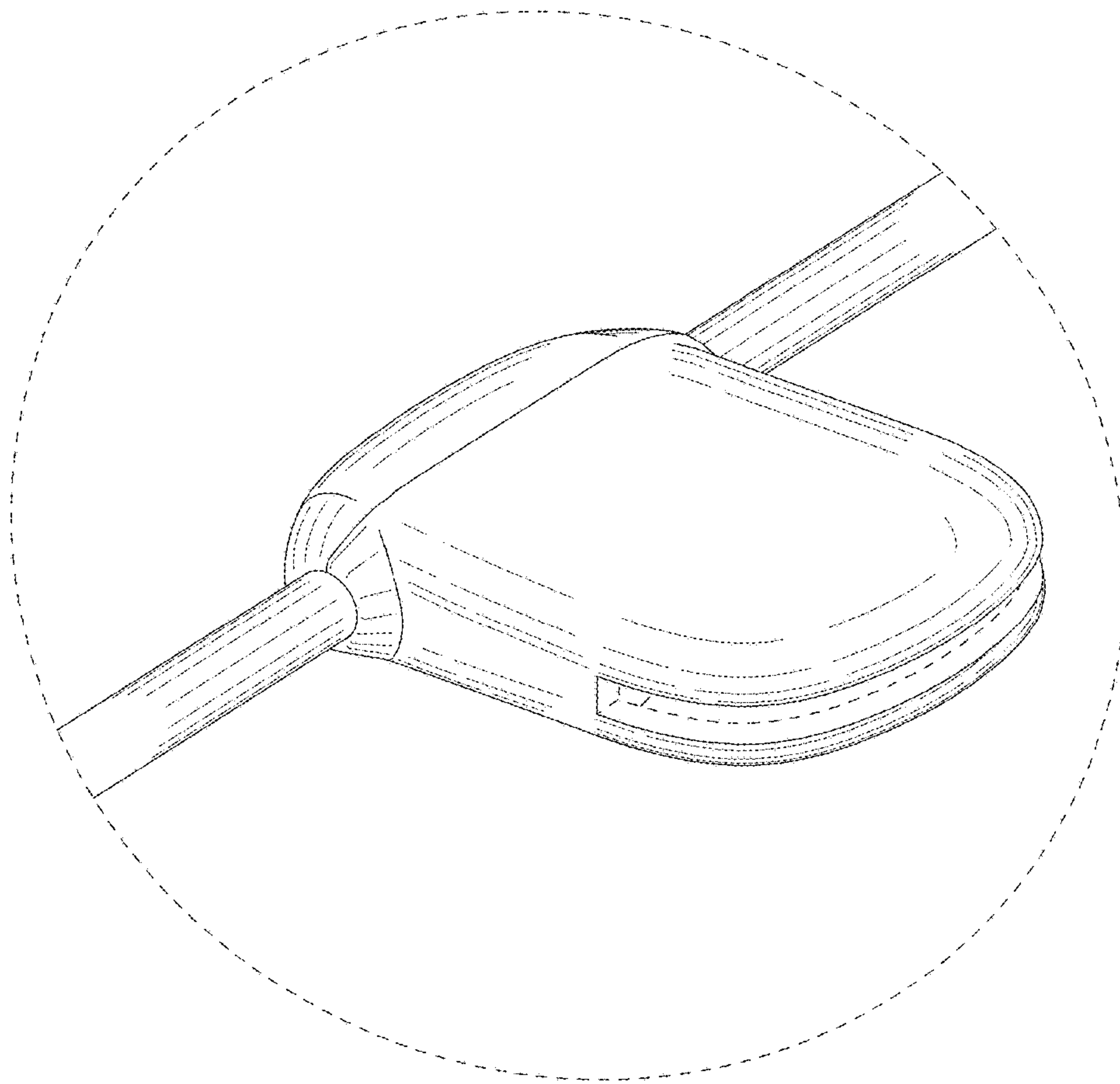
*FIG. 4*



*FIG. 5*

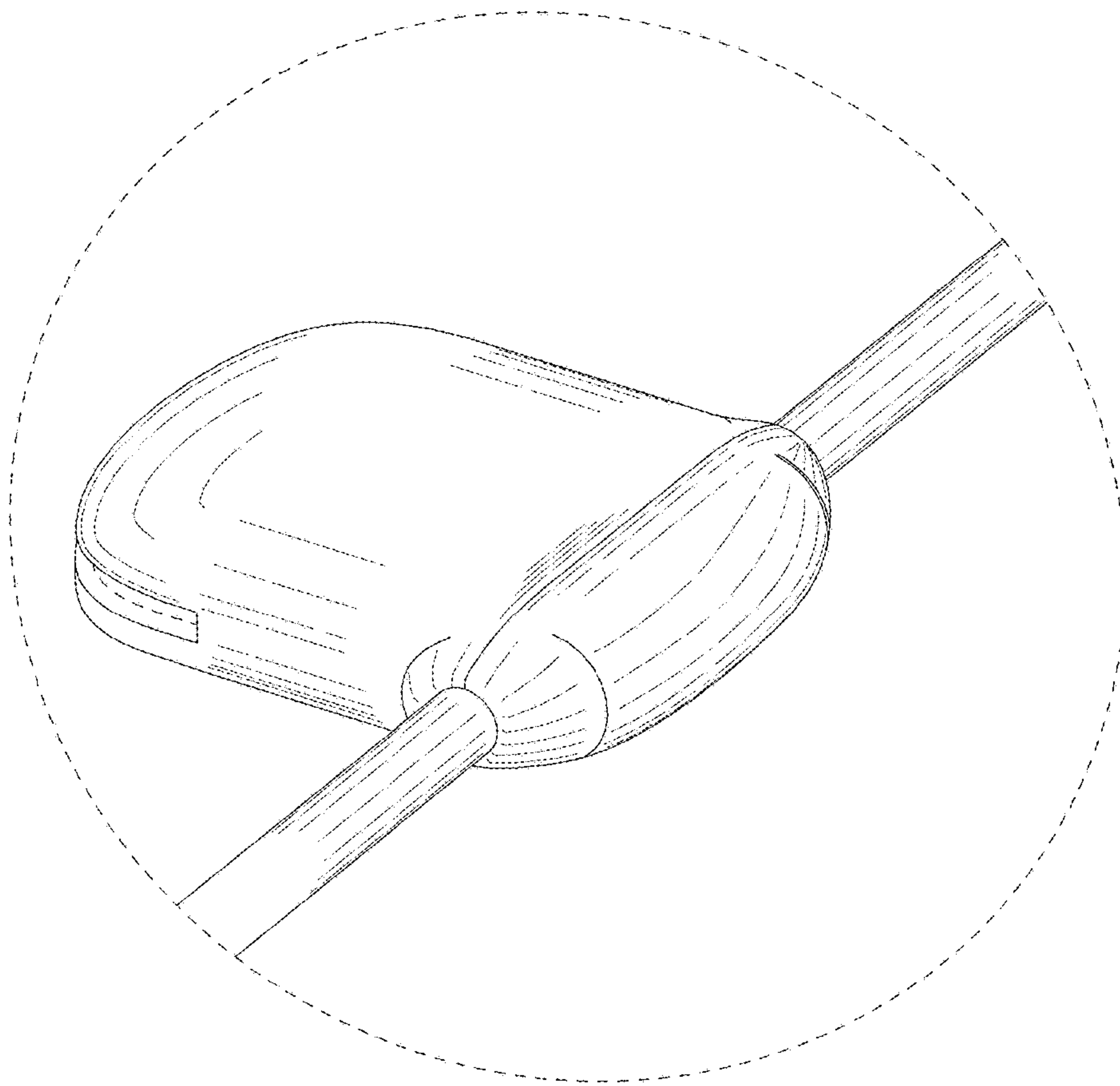


*FIG. 6*





*FIG. 7*



*FIG. 8*

