

US00D867983S

(12) **United States Design Patent** (10) **Patent No.:** **US D867,983 S**
Li (45) **Date of Patent:** **** Nov. 26, 2019**

(54) **SOLAR POWER GENERATOR**
(71) Applicant: **RNG International Inc.**, Eastvale, CA (US)
(72) Inventor: **Yi Li**, Eastvale, CA (US)
(73) Assignee: **RNG INTERNATIONAL INC.**, Irvine, CA (US)
(**) Term: **15 Years**
(21) Appl. No.: **29/598,933**
(22) Filed: **Mar. 29, 2017**
(51) **LOC (12) Cl.** **13-02**
(52) **U.S. Cl.**
USPC **D13/102**
(58) **Field of Classification Search**
USPC D13/102, 101, 103, 107, 108, 199;
126/569, 624, 704, 710, 711;
136/243-265; 320/101, 116, 120
CPC H01L 31/00; H01L 31/042; H01L 31/045;
H01L 31/048; H01L 31/052; H01L
31/0475; H01L 31/0485; H01M 10/052;
H01M 10/465; H02S 30/10; H02S 30/20;
H02S 10/40; H02S 40/42; Y02E 10/50;
Y02E 10/52; Y10S 136/291; Y10S
136/293; H02J 7/355; G06F 1/1628
See application file for complete search history.

D536,299 S * 2/2007 Lam D13/102
D670,645 S * 11/2012 Qian D13/102
D680,948 S * 4/2013 Lin D13/102
2008/0283114 A1* 11/2008 Gray G06F 1/1628
136/245

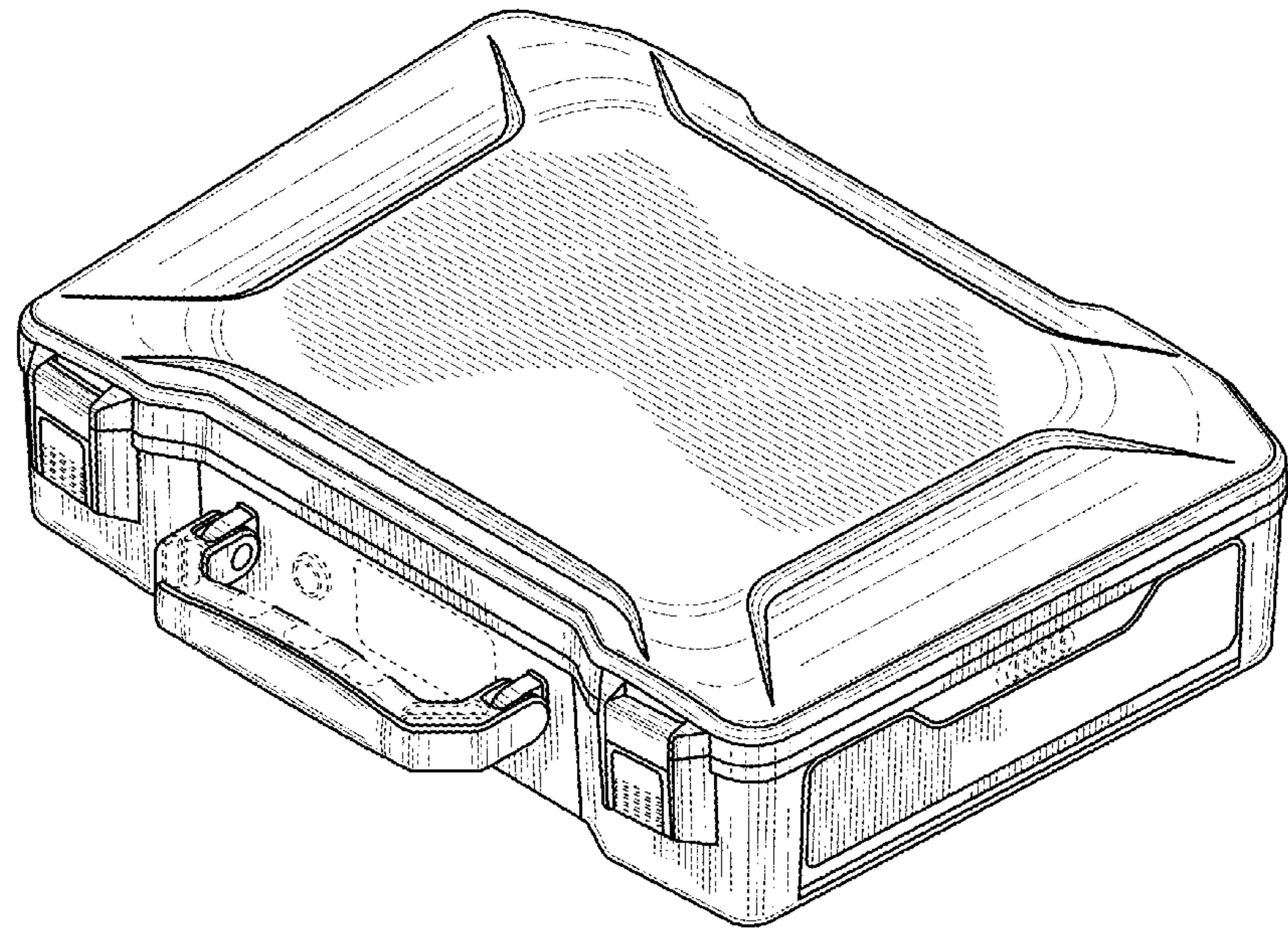
* cited by examiner
Primary Examiner — Derrick E Holland
(74) *Attorney, Agent, or Firm* — Intellectual Valley Law, P.C.

(57) **CLAIM**
I claim the ornamental design of a solar power generator, substantially as shown and described.

DESCRIPTION
FIG. 1 is a front perspective view of a solar power generator in accordance with the present invention;
FIG. 2 is a top view of the solar power generator in FIG. 1;
FIG. 3 is a bottom view thereof;
FIG. 4 is a left side view thereof;
FIG. 5 is a right side view thereof;
FIG. 6 is a front view thereof;
FIG. 7 is a back view thereof;
FIG. 8 is a top perspective view of the solar power generator in an open configuration;
FIG. 9 is a top view of the solar power generator in FIG. 8;
FIG. 10 is a bottom view thereof;
FIG. 11 is a left side view thereof;
FIG. 12 is a right side view thereof;
FIG. 13 is a front view thereof; and,
FIG. 14 is a back view thereof.
The broken lines illustrate the portions of the solar power generator that form no part of the claimed design.

(56) **References Cited**
U.S. PATENT DOCUMENTS
D479,191 S * 9/2003 Peress D13/102
D510,316 S * 10/2005 Hayakawa D13/102
D528,501 S * 9/2006 Lam D13/102

1 Claim, 8 Drawing Sheets



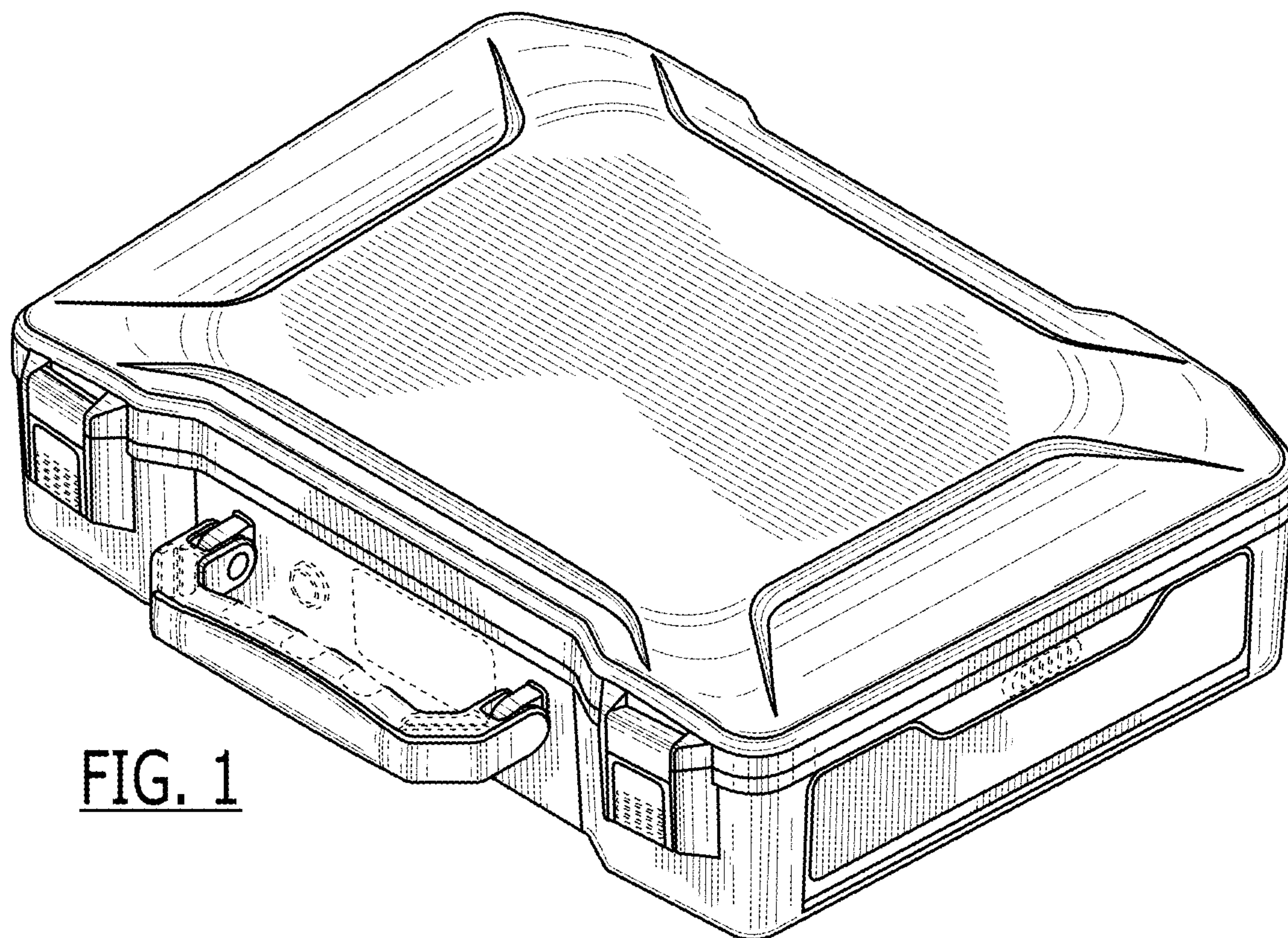


FIG. 1

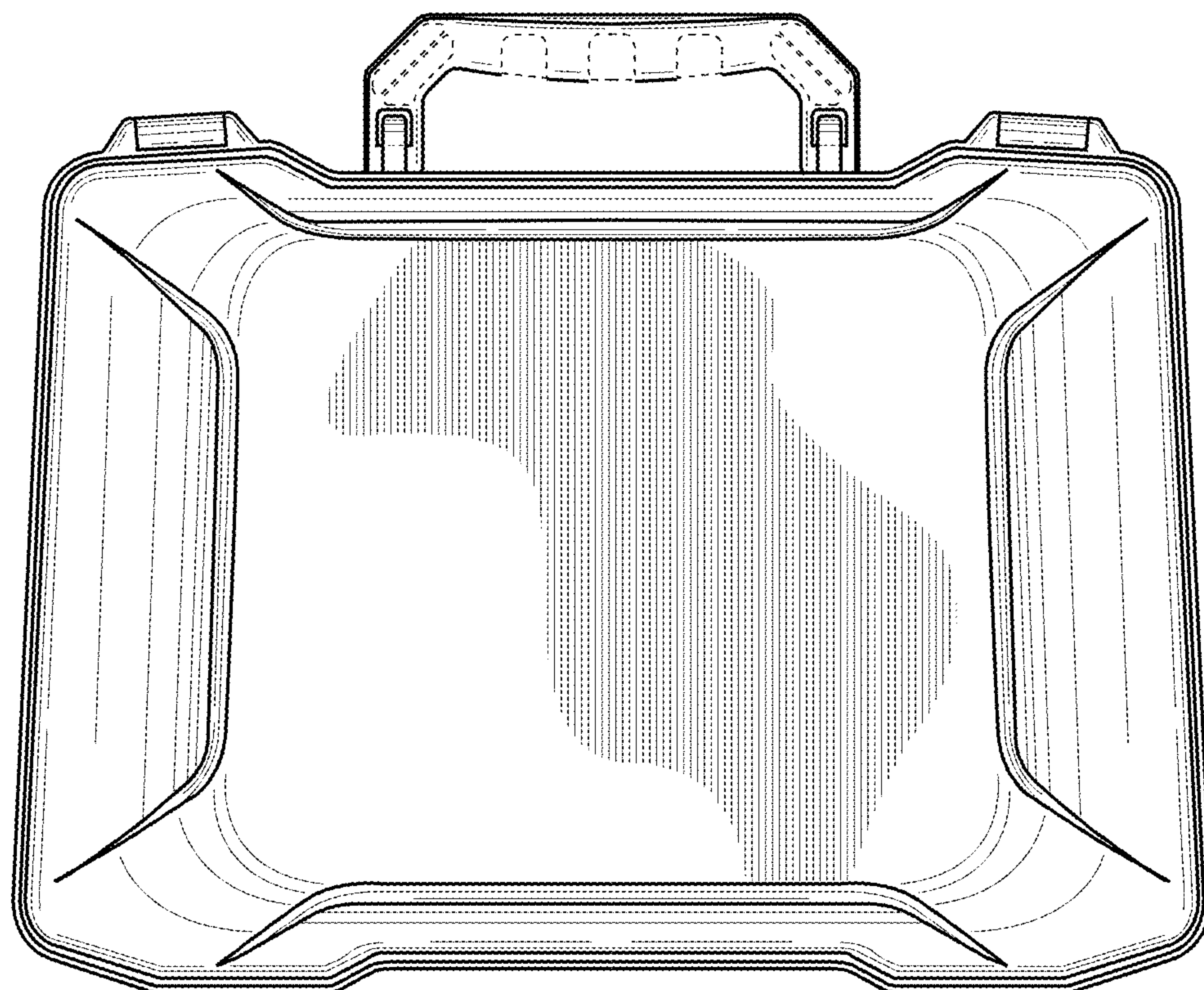


FIG. 2

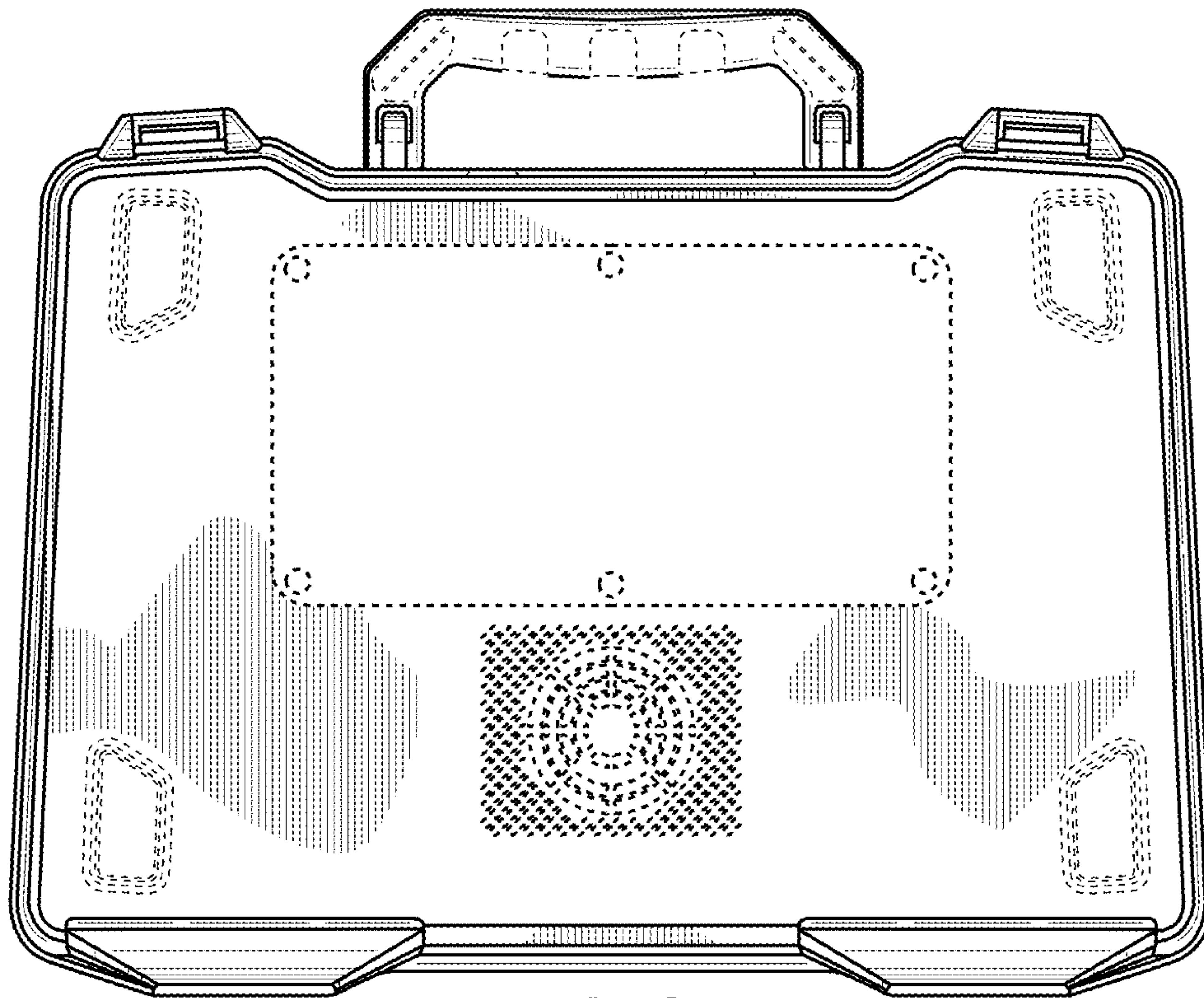


FIG. 3

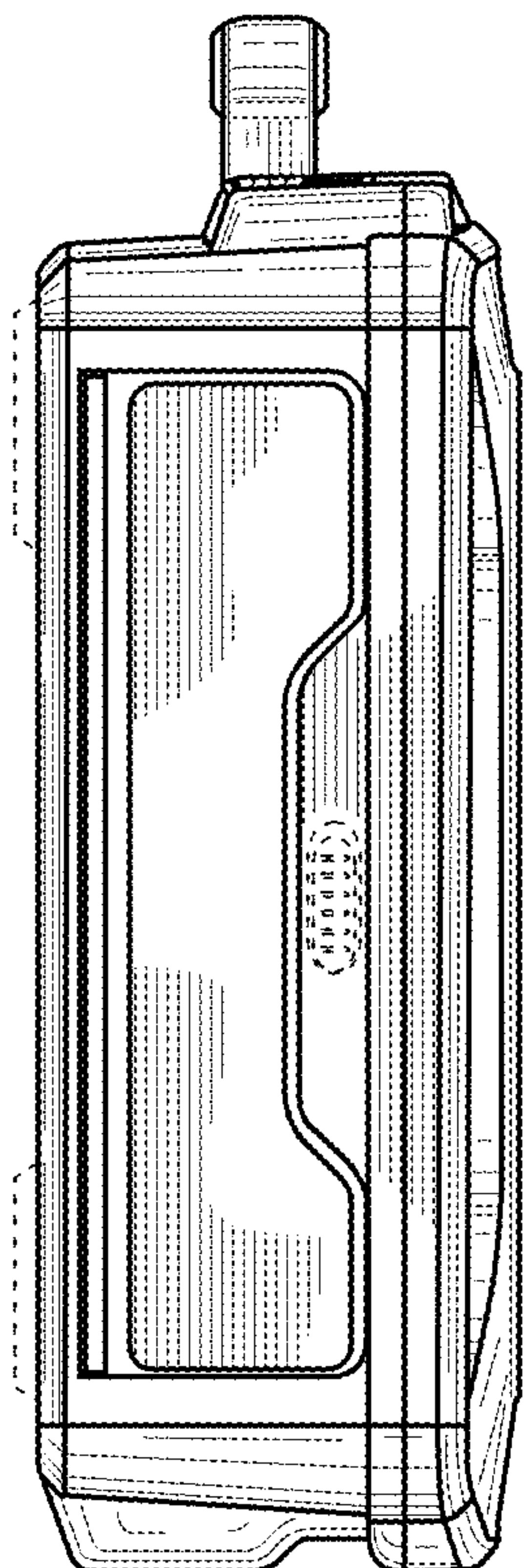


FIG. 4

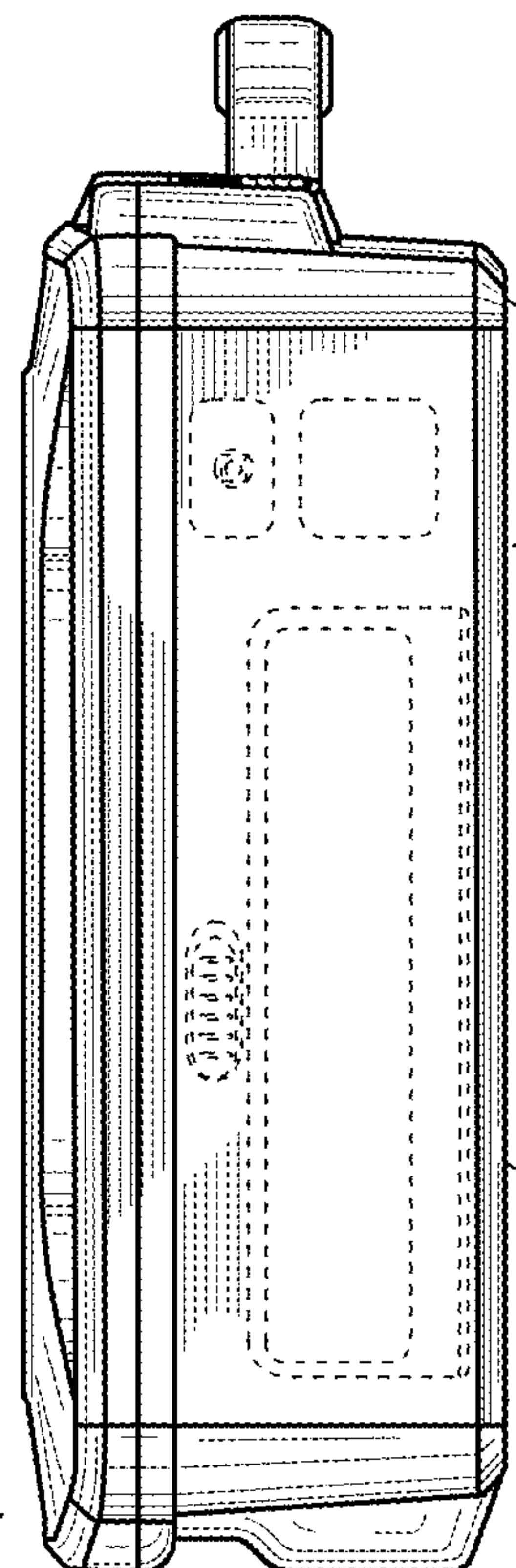


FIG. 5

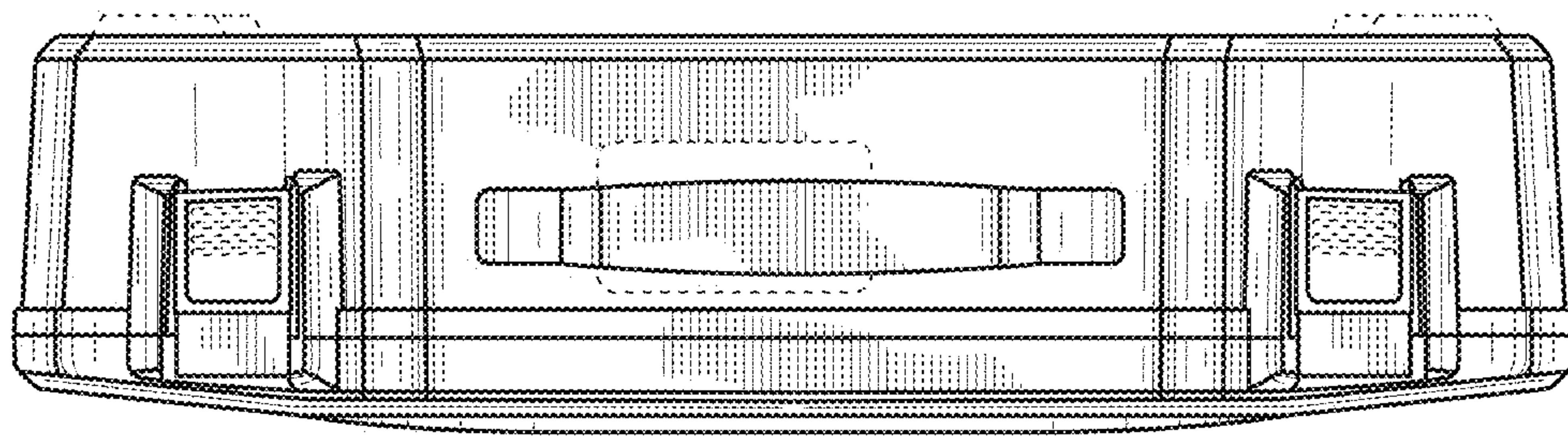


FIG. 6

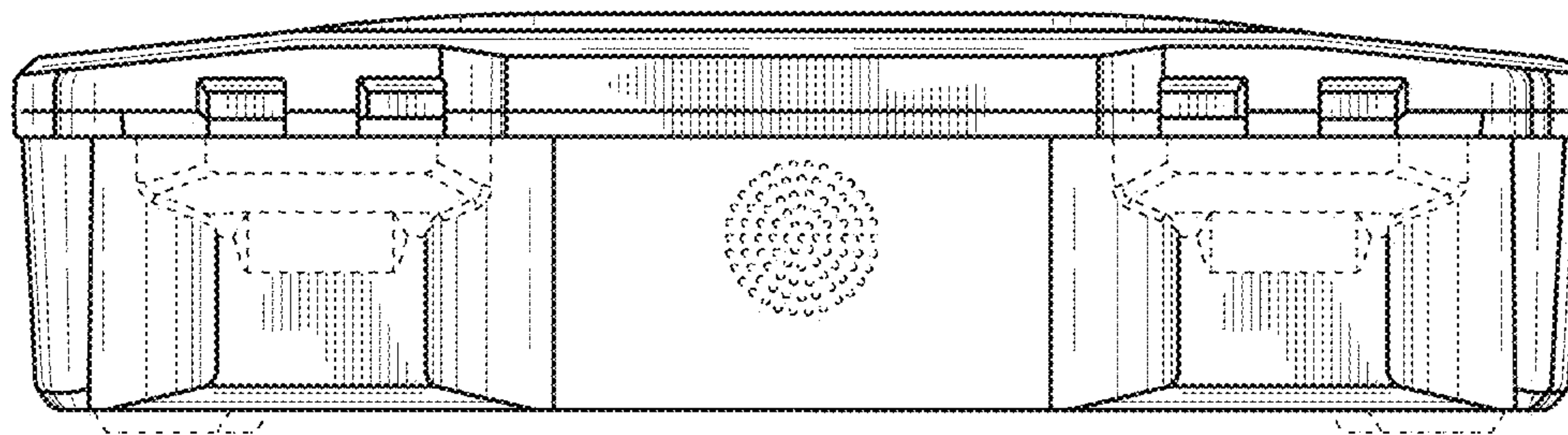


FIG. 7

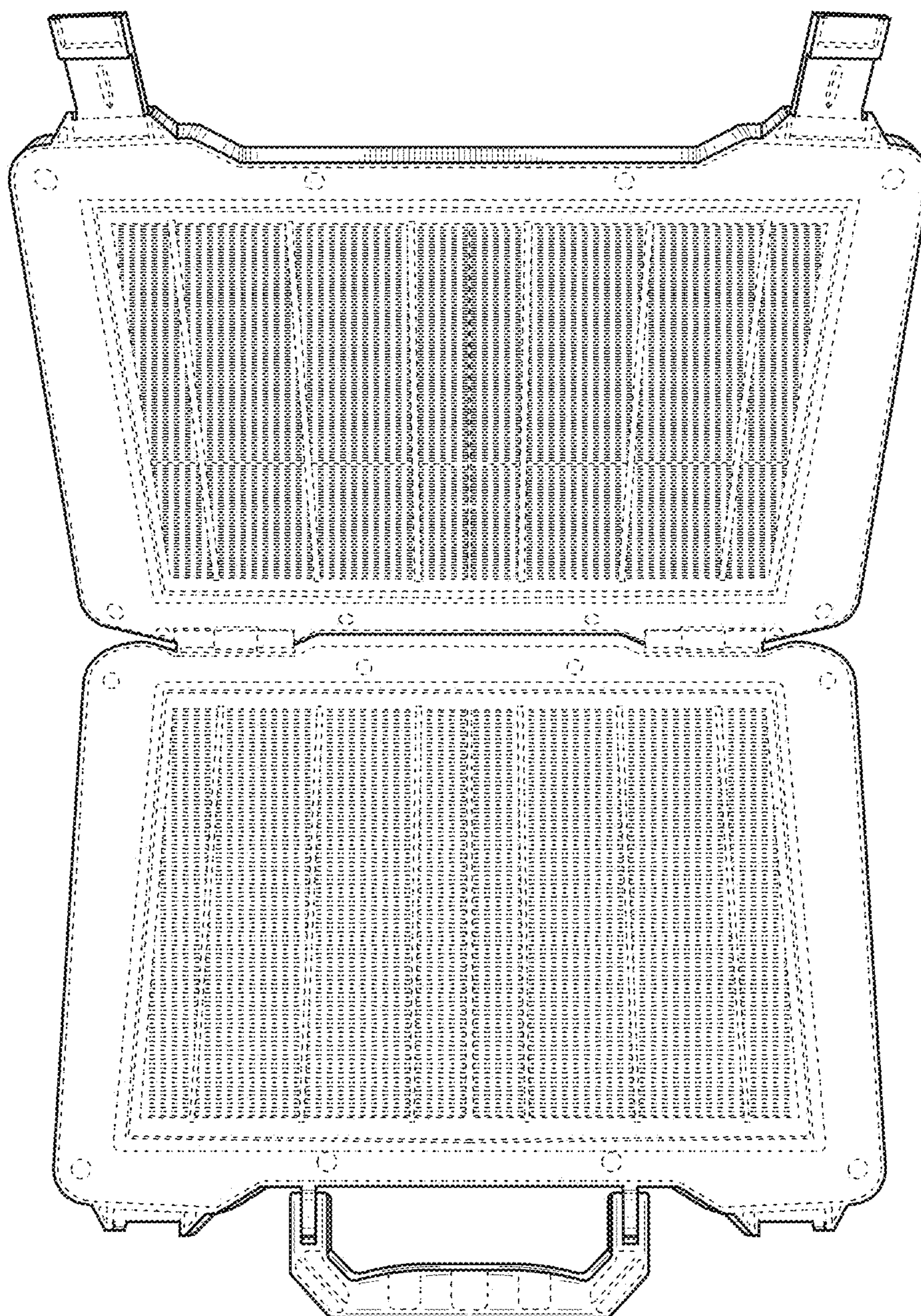


FIG. 8

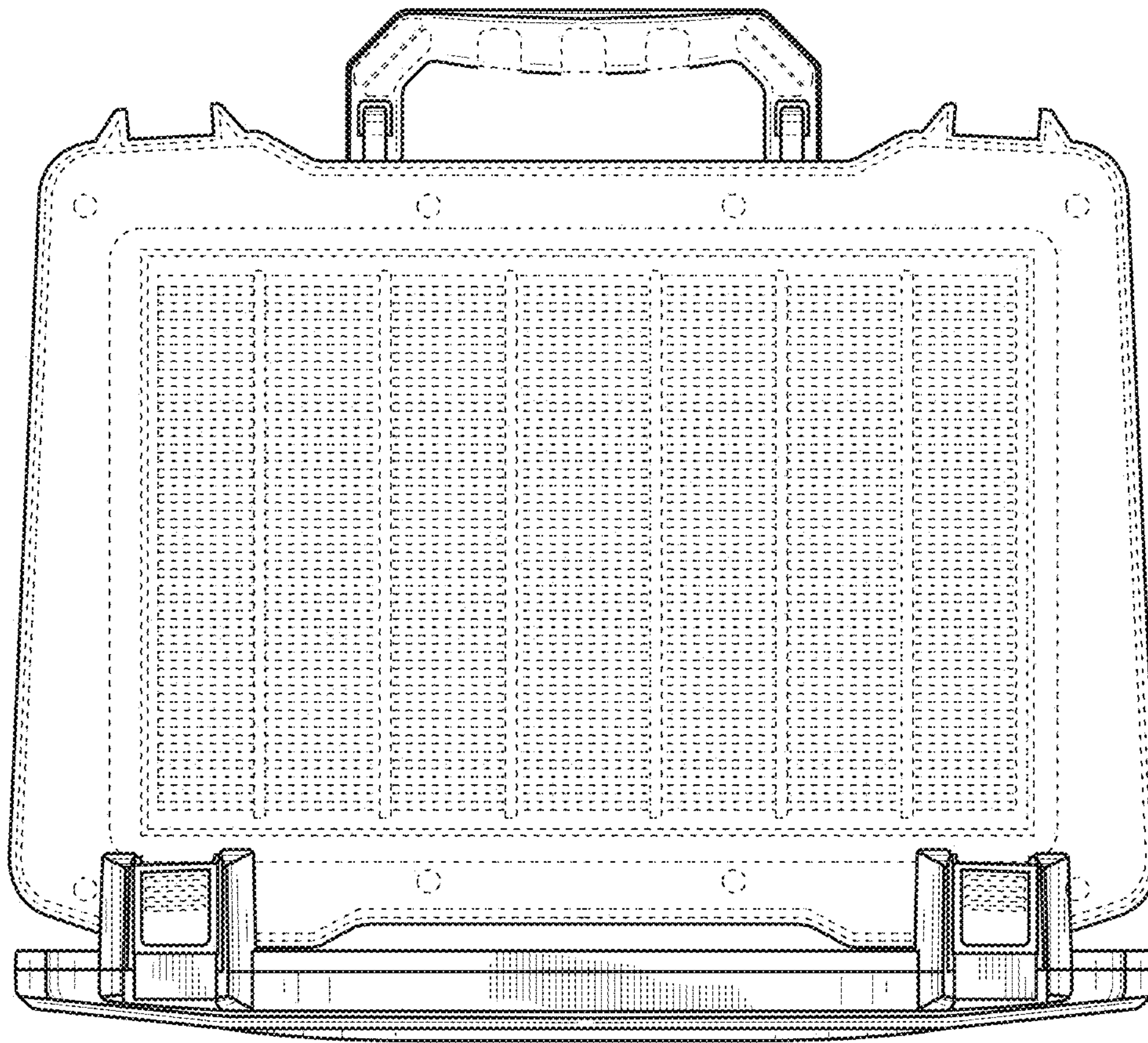


FIG. 9

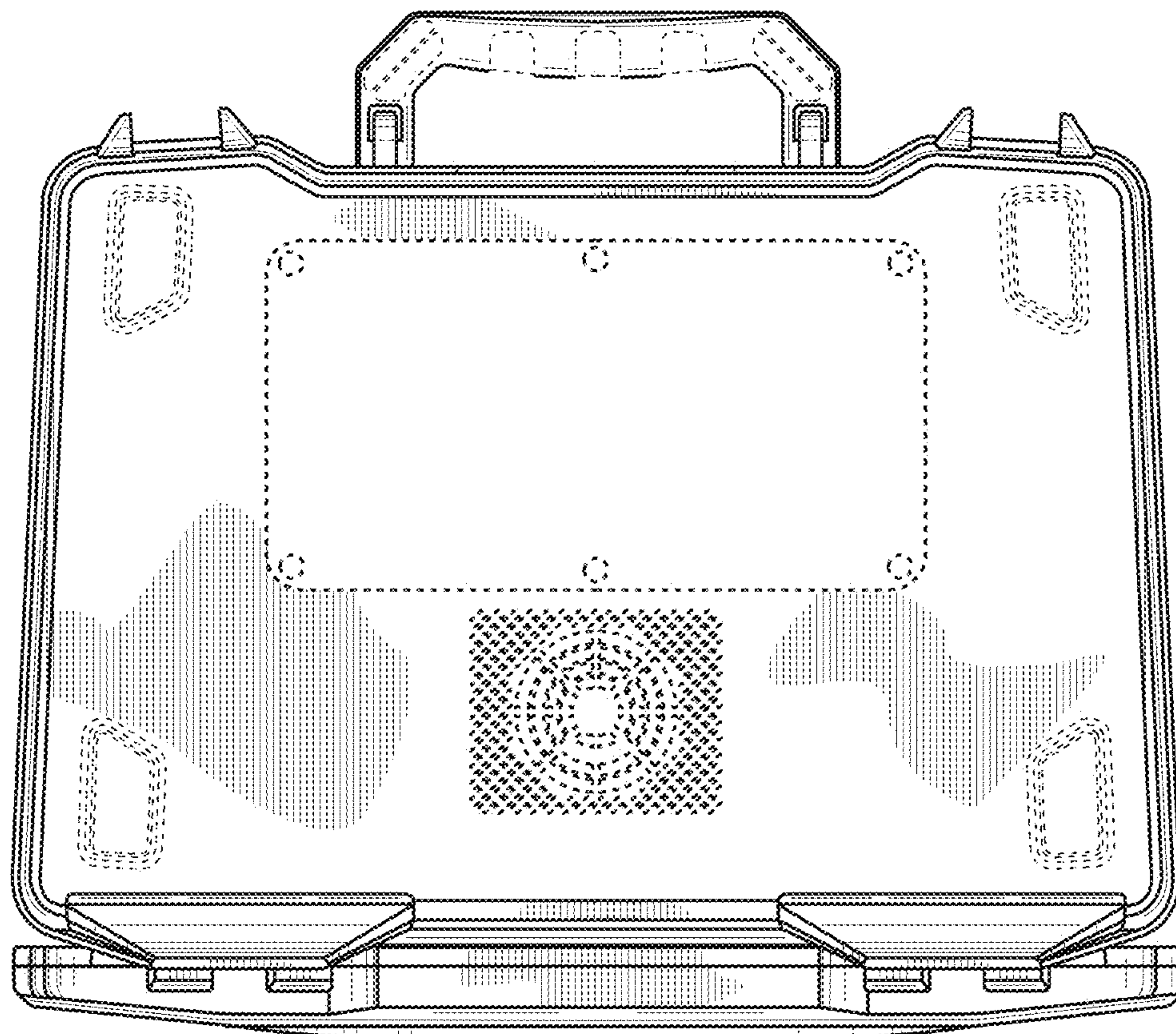


FIG. 10

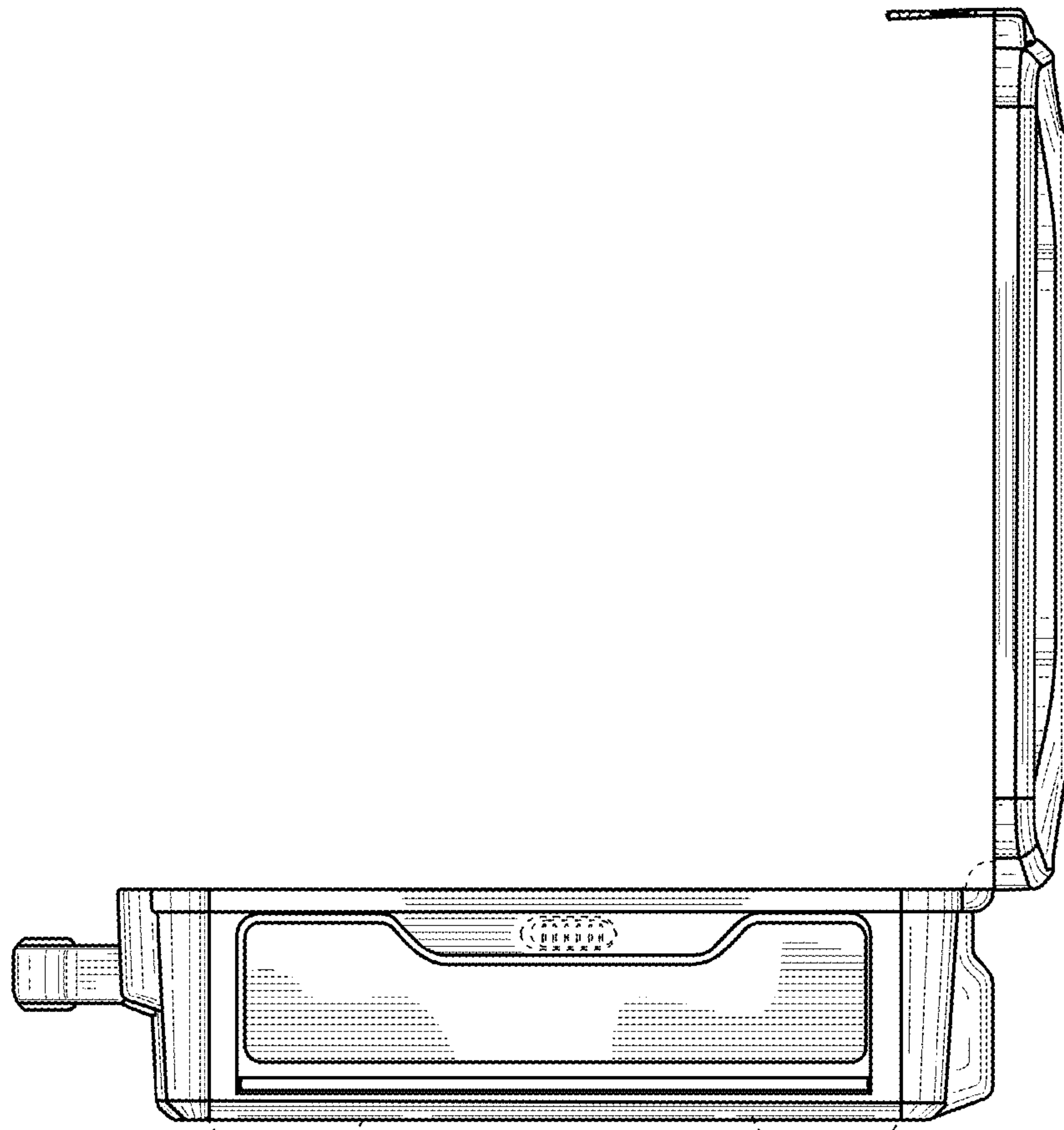


FIG. 11

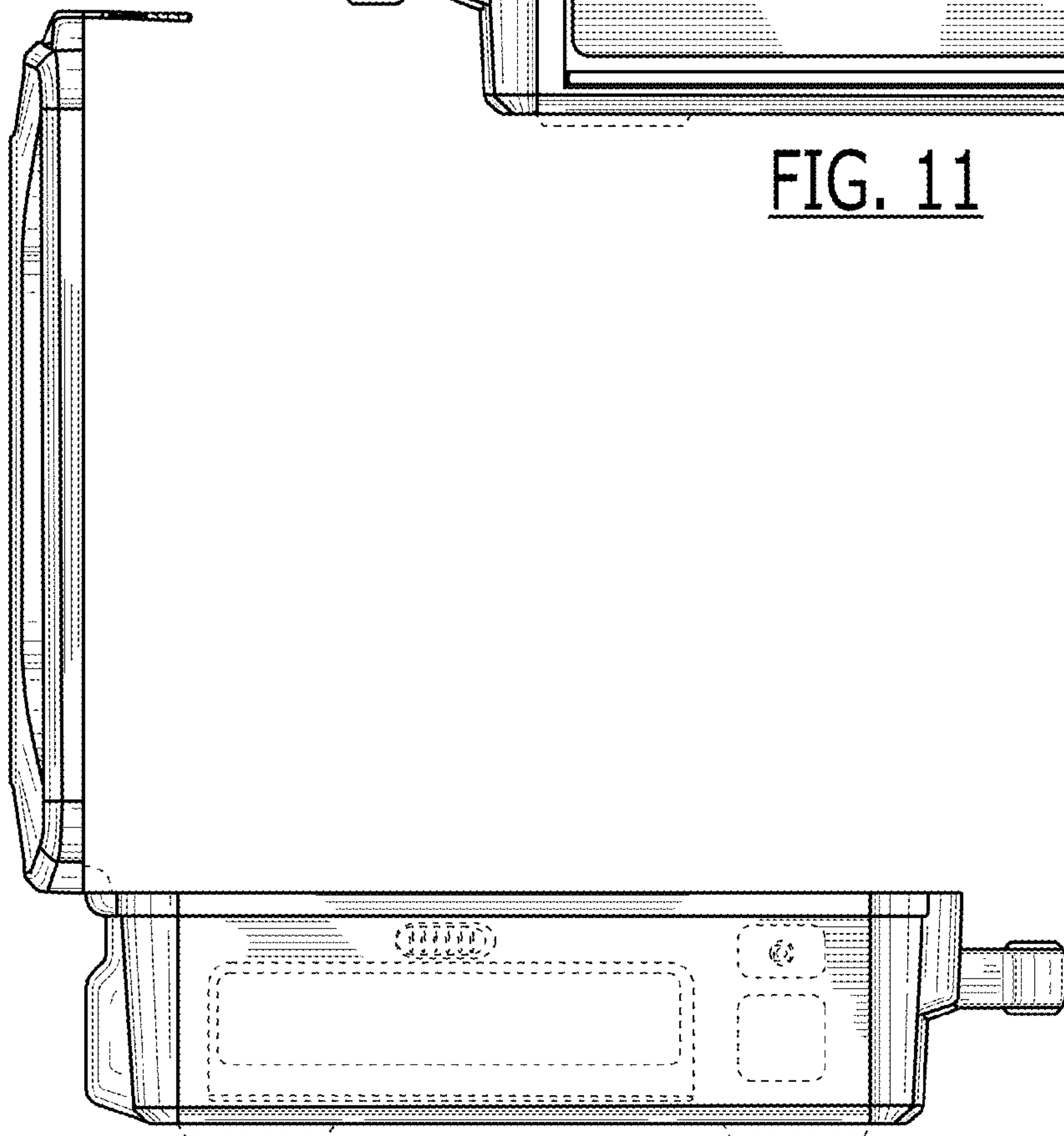


FIG. 12

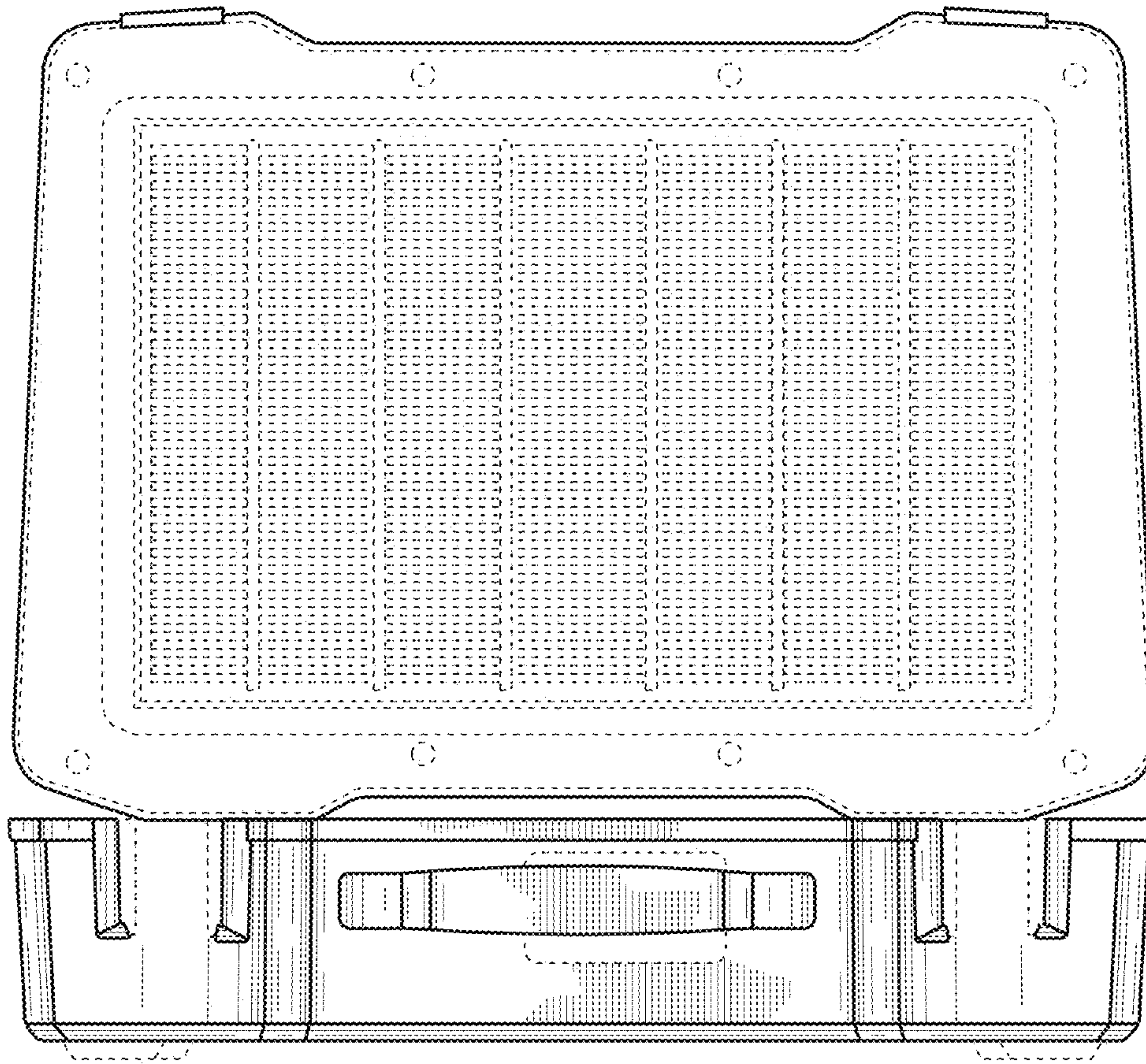


FIG. 13

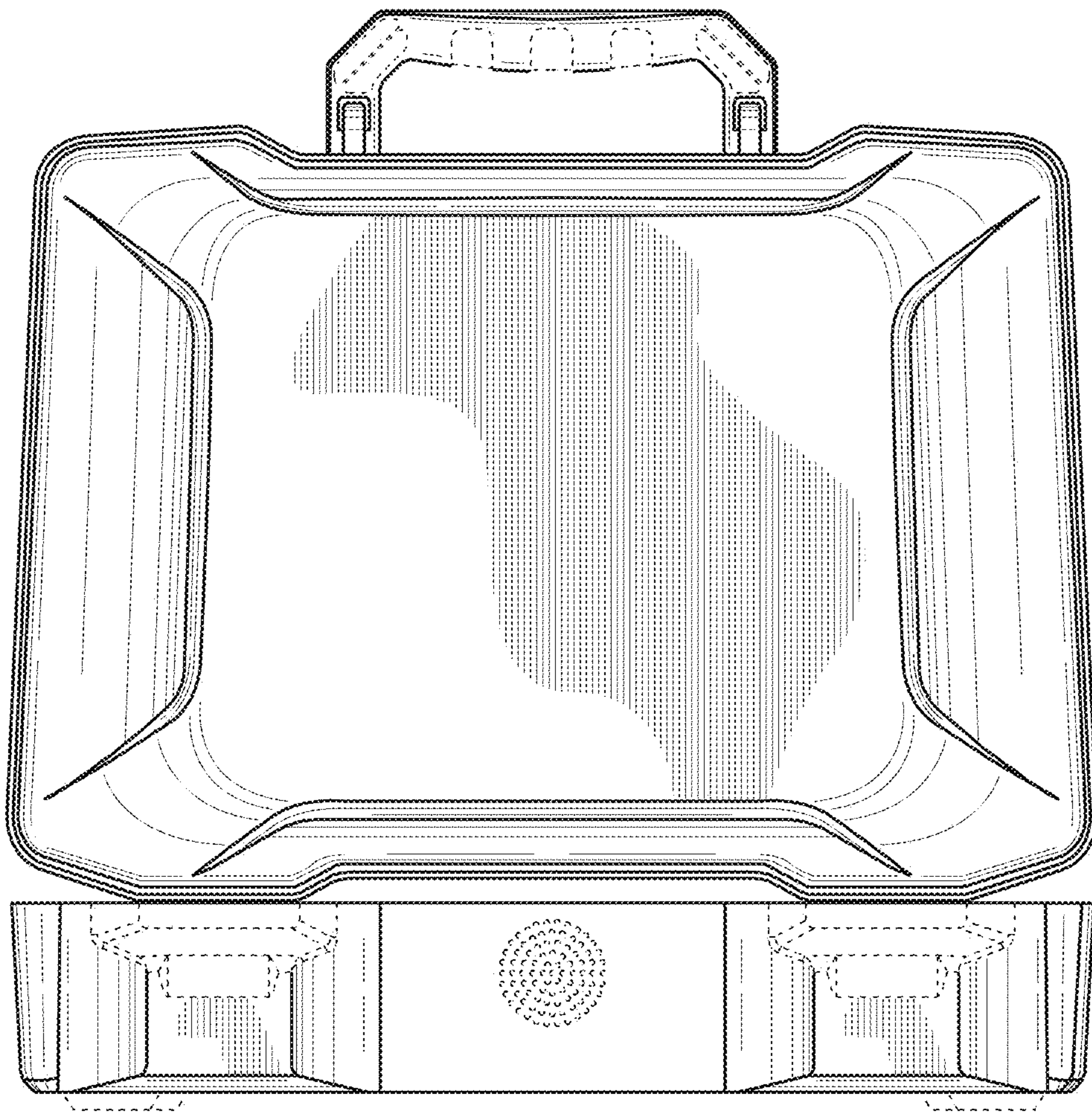


FIG. 14