

US00D867982S

(12) **United States Design Patent** (10) **Patent No.:** **US D867,982 S**
Iwabuchi (45) **Date of Patent:** **** Nov. 26, 2019**

(54) **TIRE SIDEWALL**

FOREIGN PATENT DOCUMENTS

(71) Applicant: **BRIDGESTONE CORPORATION**,
Chuo-ku, Tokyo (JP)

EM 0010616830001 1/2009
JP 1541337 S 1/2016

(Continued)

(72) Inventor: **Sotaro Iwabuchi**, Kodaira (JP)

OTHER PUBLICATIONS

(73) Assignee: **BRIDGESTONE CORPORATION**,
Chuo-ku, Tokyo (JP)

HJ2701759900, Website <URL: <http://www.michelin.co.jp/Home/News-Promotions/News/20150525>>, (Nihon Michelin Tire Co., Ltd.), Aug. 7, 2015, [database online], [retrieved on Jul. 21, 2015], Retrieved from the Known Design Database of the Japan Patent Office using Internet, <URL: https://www.j-platpat.inpit.go.jp/web/ishou/dpdj/DPDJ_GM301_Detailed.action>.

(**) Term: **15 Years**

(21) Appl. No.: **29/666,255**

(22) Filed: **Oct. 11, 2018**

(30) **Foreign Application Priority Data**

Primary Examiner — Michelle E. Wilson

Assistant Examiner — Clese Moore, Jr.

May 17, 2018 (JP) 2018-010876

(74) *Attorney, Agent, or Firm* — Kenja IP Law PC

(51) **LOC (12) Cl.** **12-15**

(52) **U.S. Cl.**
USPC **D12/605**

(57) **CLAIM**

(58) **Field of Classification Search**
USPC D12/604, 605
CPC B60C 13/00; B60C 1/00
See application file for complete search history.

The ornamental design for a tire sidewall, as shown and described.

DESCRIPTION

(56) **References Cited**

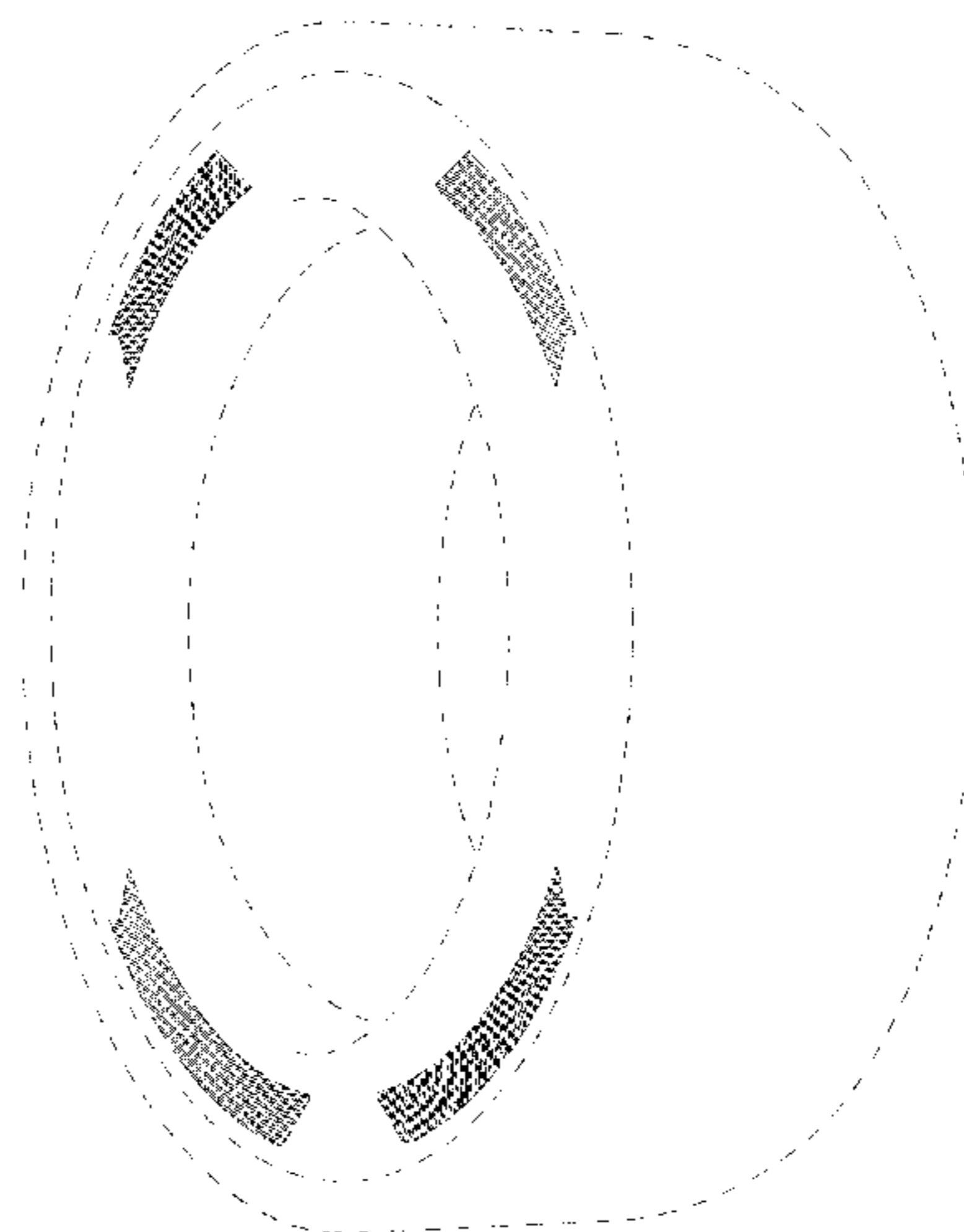
FIG. 1 is a perspective view of a tire sidewall showing my new design;
FIG. 2 is a front view thereof;
FIG. 3 is a top view thereof;
FIG. 4 is a right side view thereof;
FIG. 5 is a rear view thereof;
FIG. 6 is a fragmentary enlarged view showing the details of the sidewall portion in the area defined by lines 6-6 in FIG. 2; and,
FIG. 7 is a fragmentary enlarged view taken along lines 7-7 between 7-7 in FIG. 6.
The broken lines are used to show portions of the tire sidewall that are not being claimed, and thus form no part of the claimed design.

U.S. PATENT DOCUMENTS

D550,150 S	9/2007	Shondel	
D569,336 S *	5/2008	Onoe	D12/605
D590,332 S *	4/2009	Sato	D12/605
D593,486 S *	6/2009	Yonetsu	D12/605
D596,118 S *	7/2009	Frappart	D12/605
D618,165 S *	6/2010	Sato	D12/605
D684,109 S *	6/2013	Iwabuchi	D12/605
D709,025 S *	7/2014	Takahashi	D12/605
D768,565 S *	10/2016	Yasunaga	D12/605
D769,807 S *	10/2016	Ishikawa	D12/605
D777,094 S *	1/2017	Takahashi	D12/605
D782,406 S *	3/2017	Takahashi	D12/605
D791,067 S *	7/2017	Iwabuchi	D12/605
D791,693 S	7/2017	Iwabuchi	

(Continued)

1 Claim, 7 Drawing Sheets



(56)

References Cited

U.S. PATENT DOCUMENTS

D795,798 S * 8/2017 Kamada D12/605
D800,643 S * 10/2017 Scheifele D12/605
D803,149 S * 11/2017 Ishikawa D12/605
D807,284 S * 1/2018 Iwabuchi D12/605
D808,333 S * 1/2018 Iwabuchi D12/605

FOREIGN PATENT DOCUMENTS

JP 1566012 S 12/2018
WO DM088412 10/2017

* cited by examiner

FIG. 1

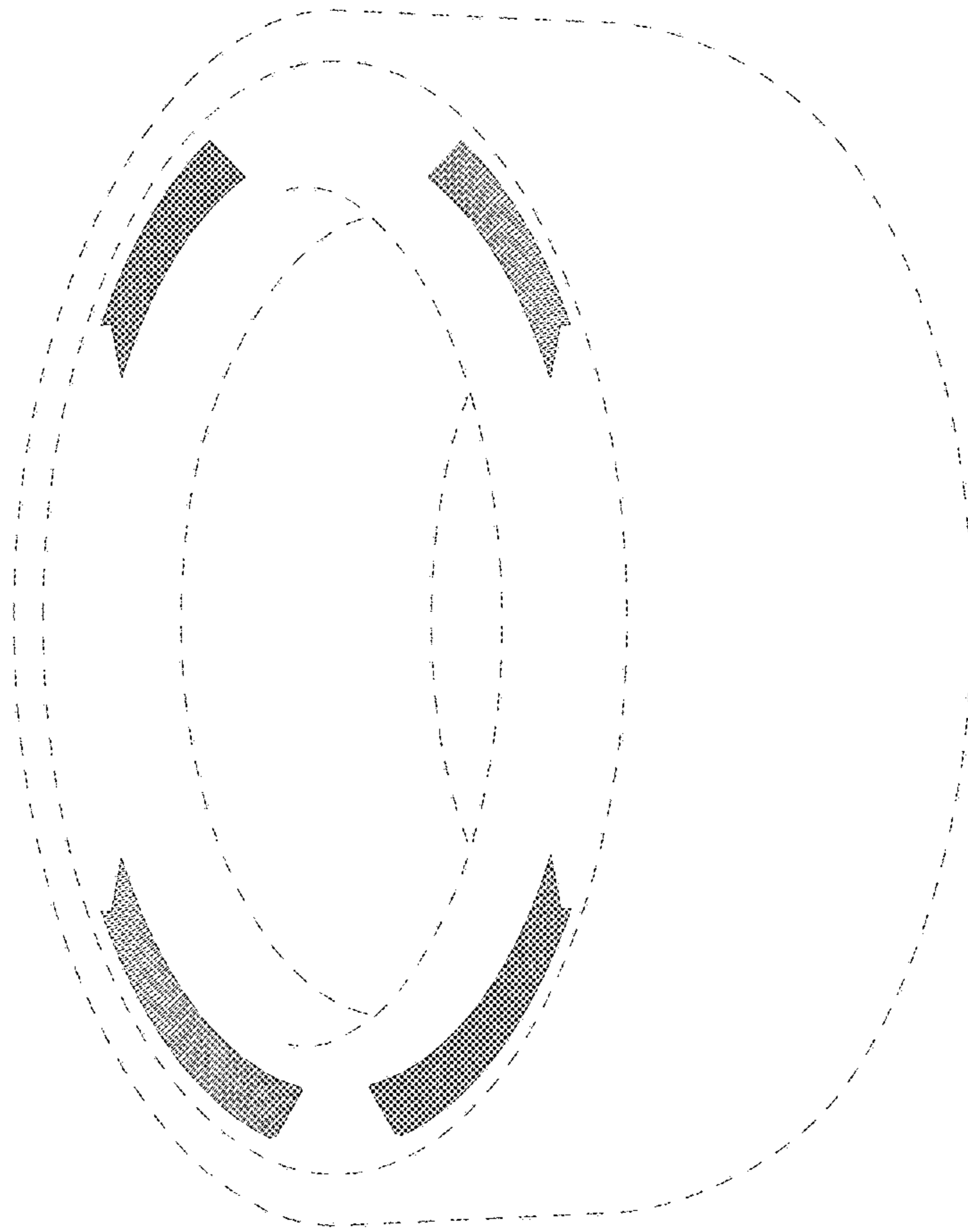


FIG. 2

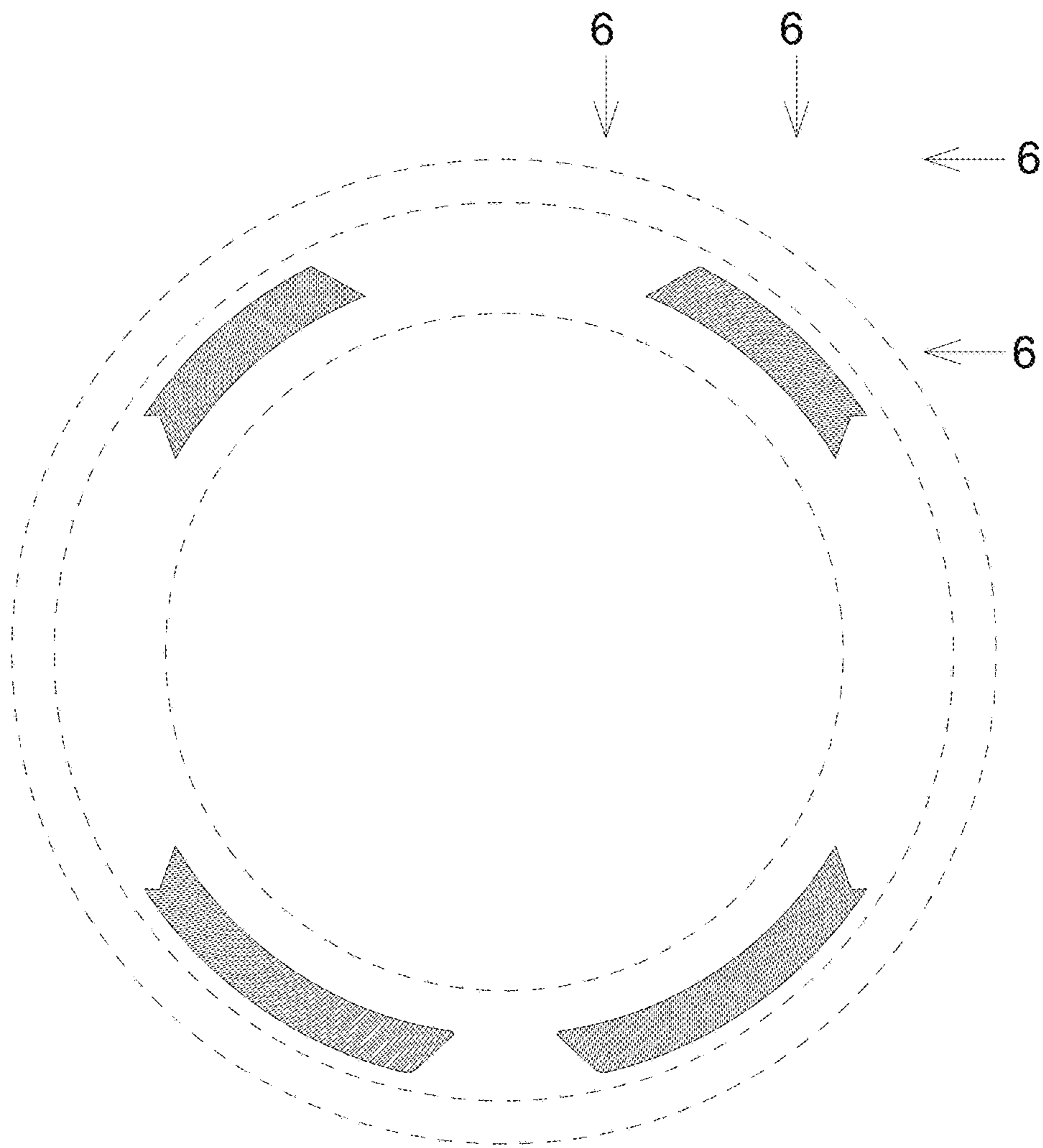


FIG. 3

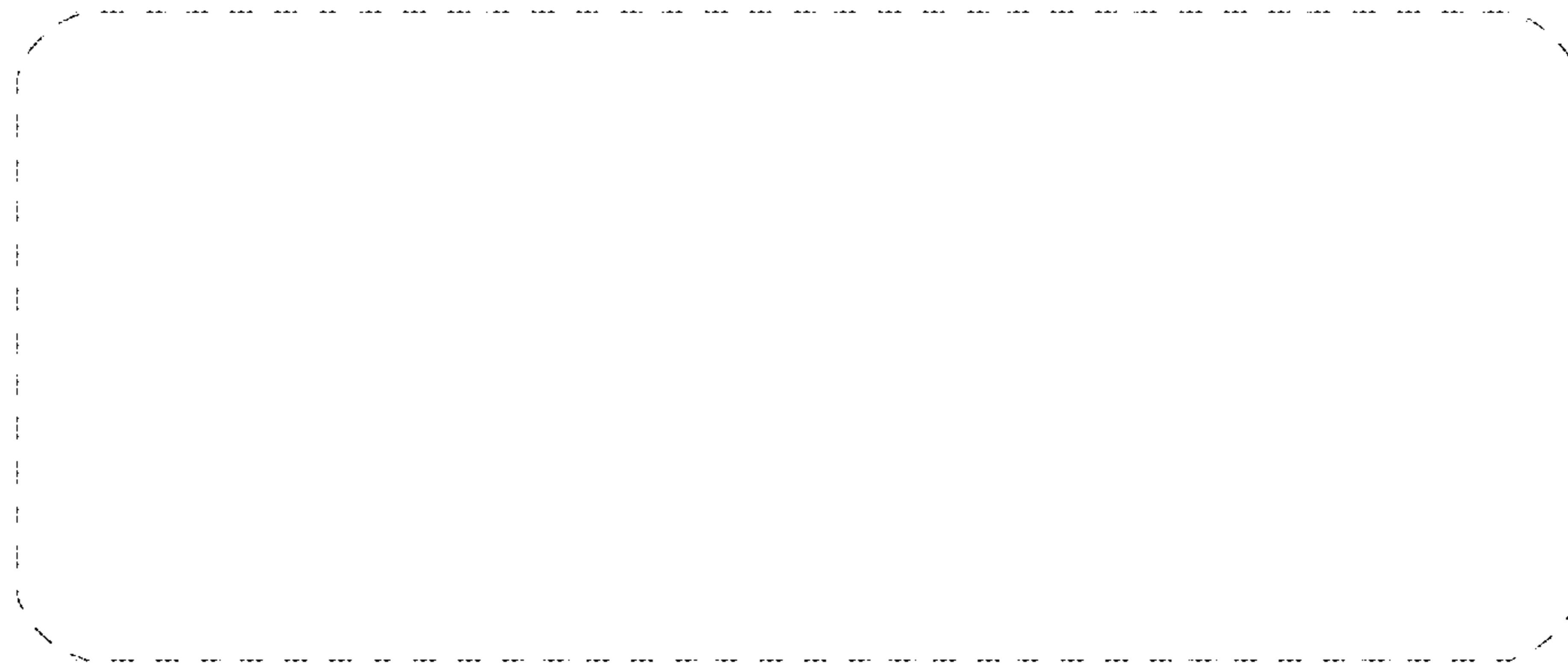


FIG. 4



FIG. 5

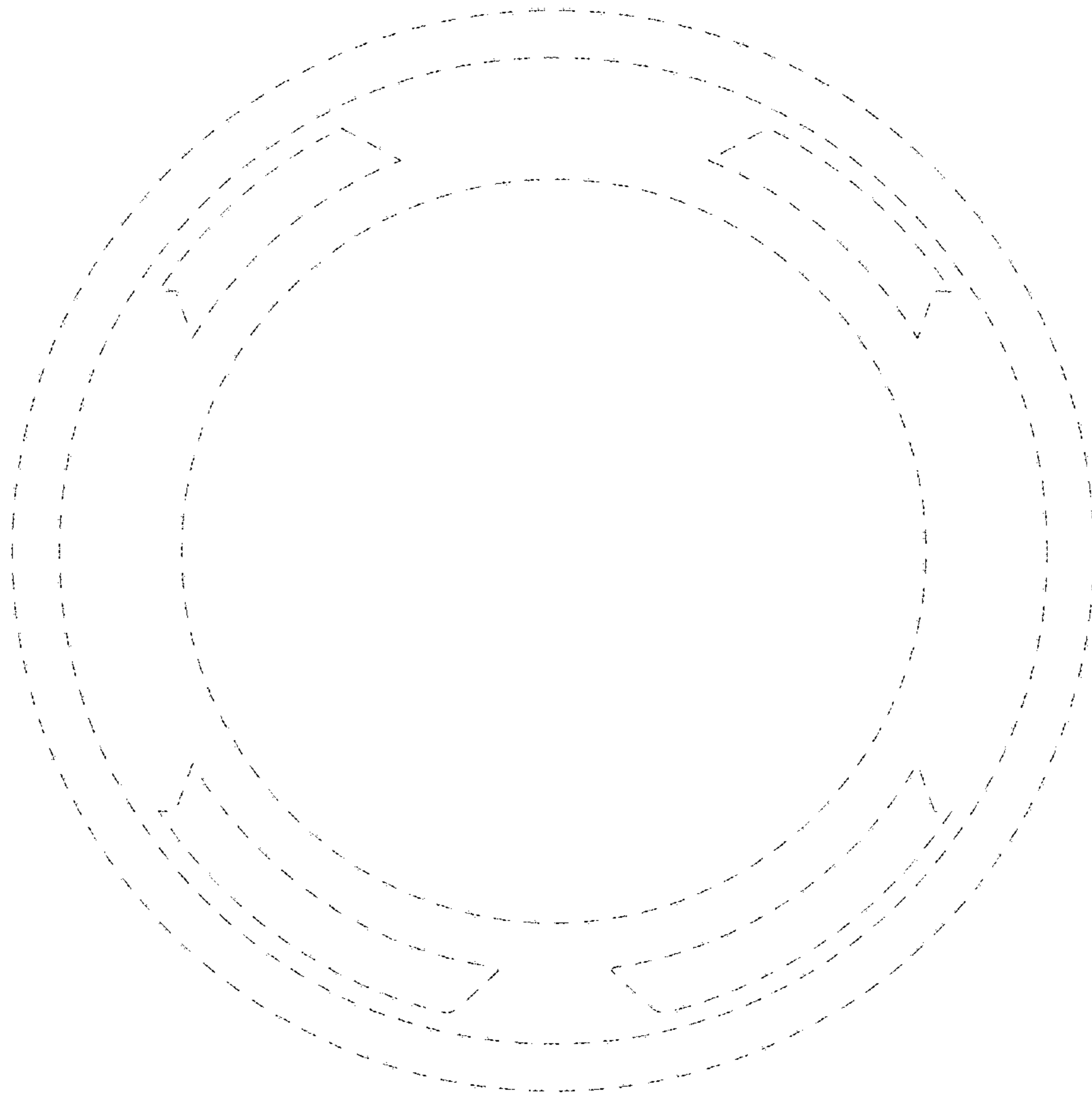


FIG. 6

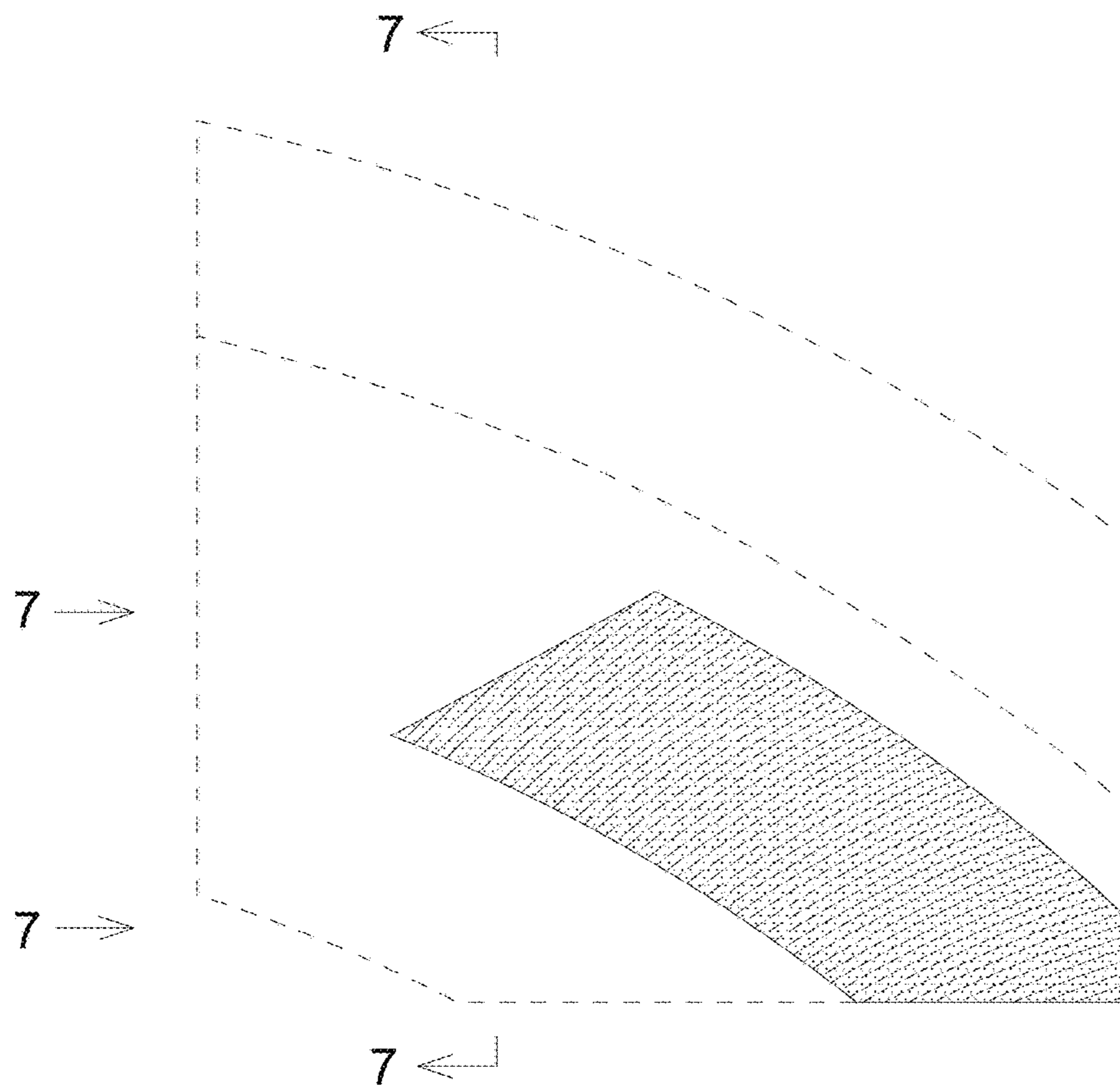


FIG. 7

