



US00D867981S

(12) **United States Design Patent**  
**Garrett et al.**

(10) **Patent No.:** **US D867,981 S**

(45) **Date of Patent:** **\*\* \*Nov. 26, 2019**

(54) **RETREAD TIRE TREAD AND TIRE**

(71) Applicant: **Compagnie Generale des Etablissements Michelin, Clermont-Ferrand (FR)**

(72) Inventors: **James F Garrett, Simpsonville, SC (US); Manas Chitransh, New Delhi (IN)**

(73) Assignee: **Compagnie Generale des Etablissements Michelin, Clermont-Ferrand (FR)**

(\*) Notice: This patent is subject to a terminal disclaimer.

(\*\*) Term: **15 Years**

(21) Appl. No.: **29/658,458**

(22) Filed: **Jul. 31, 2018**

(51) **LOC (12) Cl.** ..... **12-15**

(52) **U.S. Cl.**  
USPC ..... **D12/602**

(58) **Field of Classification Search**  
USPC ..... D12/548, 564, 565, 566, 567, 602  
CPC ..... B60C 11/0302; B60C 11/0306  
See application file for complete search history.

(56) **References Cited**

**U.S. PATENT DOCUMENTS**

D228,636 S	*	10/1973	Vizina, Jr. et al.	.....	D12/602
D354,027 S		1/1995	Grosskopf		
D383,713 S	*	9/1997	Grosskopf	.....	D12/595
D409,122 S		5/1999	Kemp		
D460,405 S	*	7/2002	Schmidt	.....	D12/583
D499,375 S		12/2004	Gordon		
D616,356 S	*	5/2010	Ohara	.....	D12/588
D644,598 S	*	9/2011	Yokomakura	.....	D12/586
D727,839 S	*	4/2015	Rolland	.....	D12/583

D741,251 S	*	10/2015	Honda	.....	D12/567
D749,037 S	*	2/2016	Kristen	.....	D12/566
D756,294 S	*	5/2016	Kristen	.....	D12/548
D765,586 S	*	9/2016	Garrett	.....	D12/602
D767,481 S	*	9/2016	Fujioka	.....	D12/602
D779,422 S	*	2/2017	Bortolet	.....	D12/602
D791,688 S	*	7/2017	Trowbridge	.....	D12/548
D823,781 S	*	7/2018	Zhu	.....	D12/566

(Continued)

*Primary Examiner* — Robert M. Spear

(74) *Attorney, Agent, or Firm* — Neal P. Pierotti

(57) **CLAIM**

The ornamental design for a tire, as shown and described.

**DESCRIPTION**

FIG. 1 is a perspective view of a tire that could have a retread tire tread or a new tire tread of our new design, it being understood that the tread is repeated throughout the circumference of the tire.

FIG. 2 is a front view of the embodiment of FIG. 1.

FIG. 3 is a right side view of the embodiment of FIG. 1.

FIG. 4 is a left side view of the embodiment of FIG. 1.

FIG. 5 is a cross-sectional view taken along line 5-5 of FIG. 2.

FIG. 6 is a cross-sectional view taken along line 6-6 of FIG. 2.

FIG. 7 is a perspective view of a tire that could have a retread tire tread or a new tire of our new design, it being understood that the tread is repeated throughout the circumference of the tire, it being understood that the dashed lines show environmental features of the tire.

FIG. 8 is a front view of the embodiment of FIG. 7.

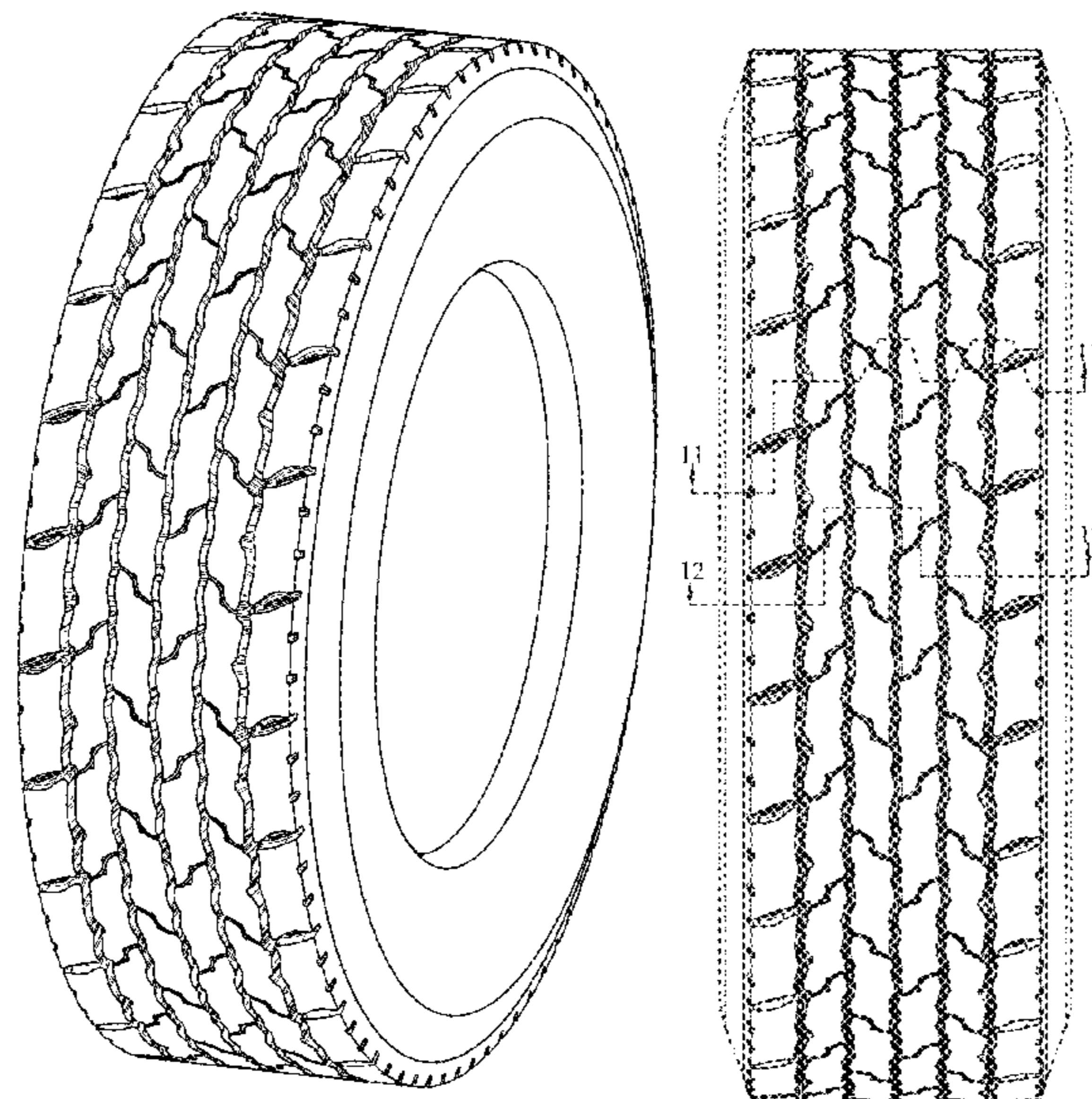
FIG. 9 is a right side view of the embodiment of FIG. 7.

FIG. 10 is a left side view of the embodiment of FIG. 7.

FIG. 11 is a cross-sectional view taken along line 11-11 of FIG. 8; and,

FIG. 12 is a cross-sectional view taken along line 12-12 of FIG. 8.

**1 Claim, 12 Drawing Sheets**



(56)

**References Cited**

U.S. PATENT DOCUMENTS

D837,134 S \* 1/2019 Zivkovic ..... D12/566  
D847,087 S \* 4/2019 Sullivan ..... D12/587

\* cited by examiner

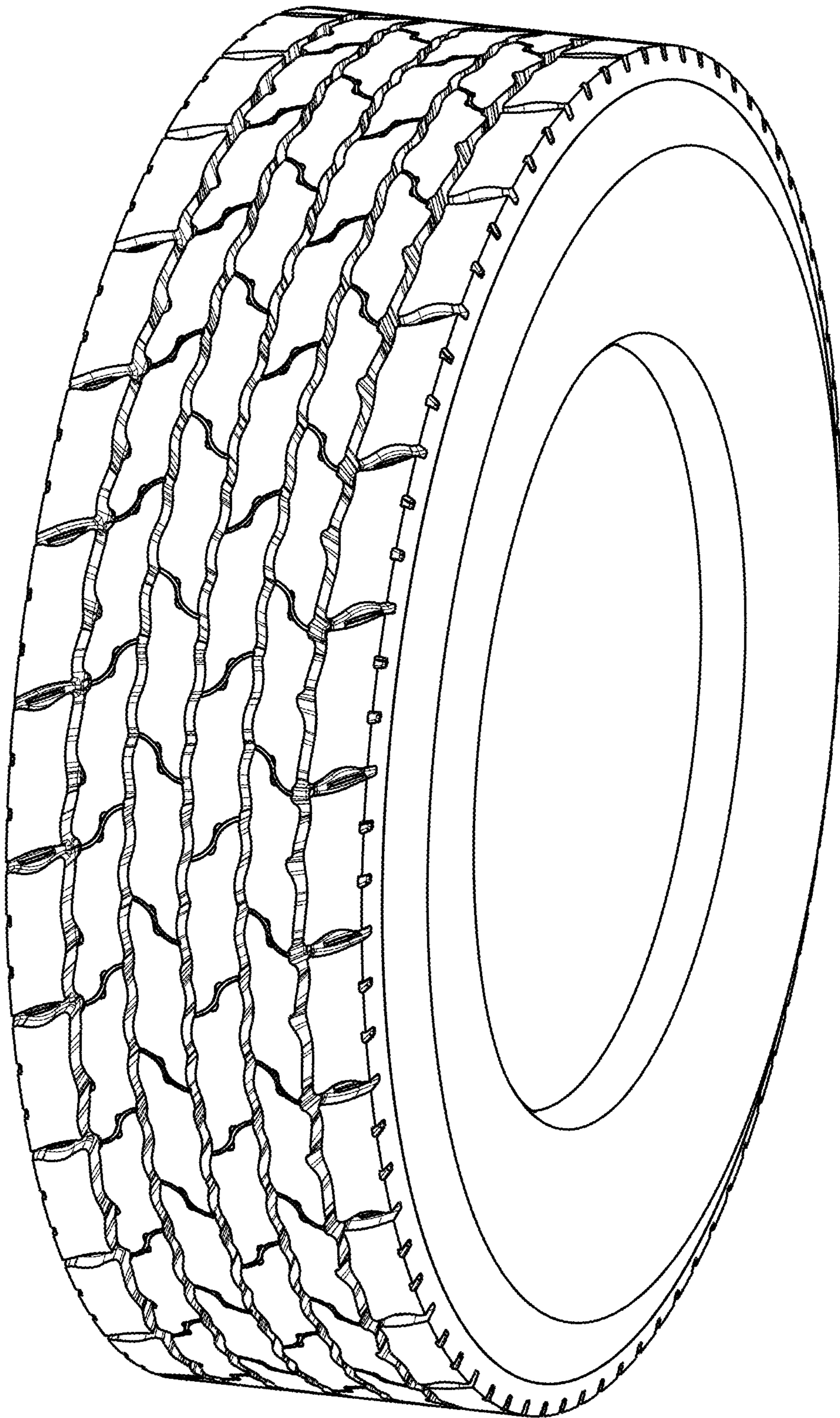


FIG. 1

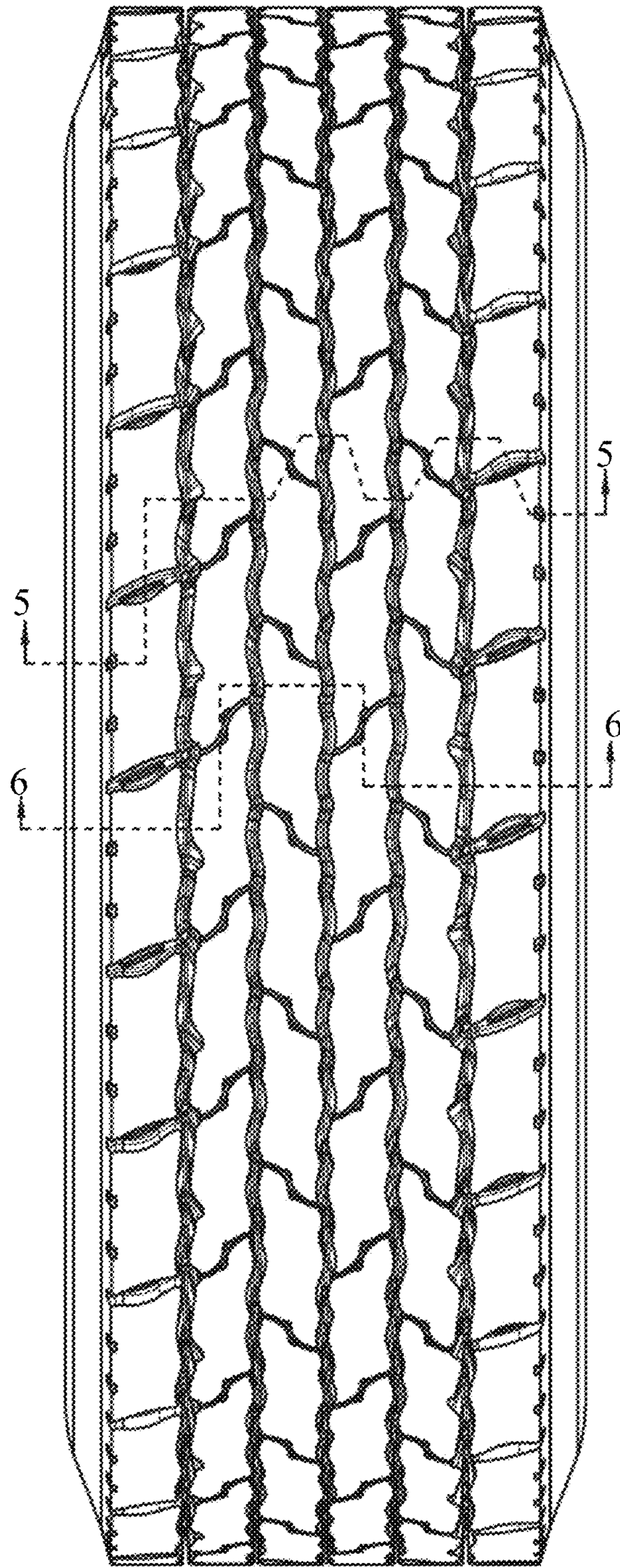


FIG. 2

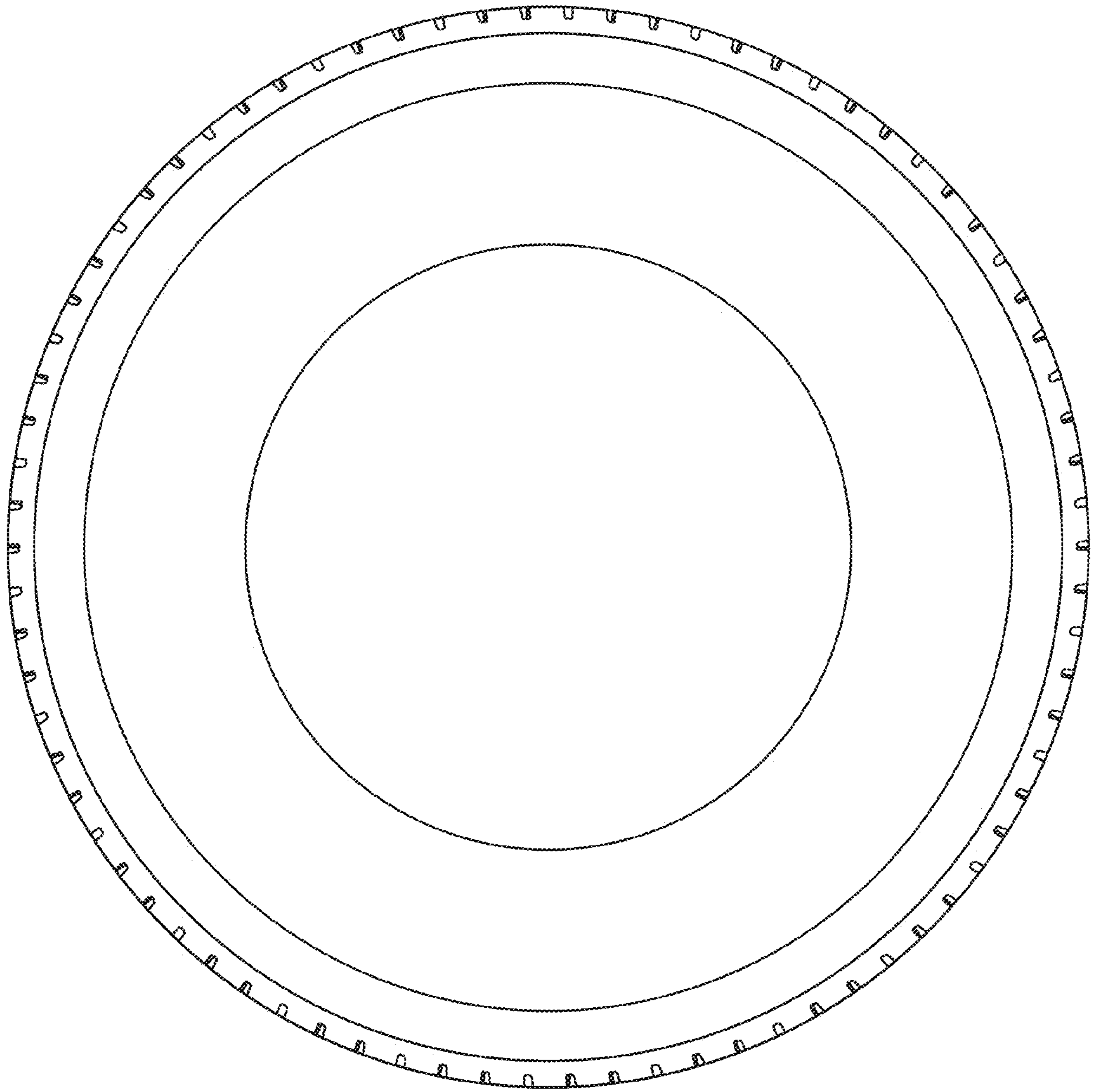


FIG. 3

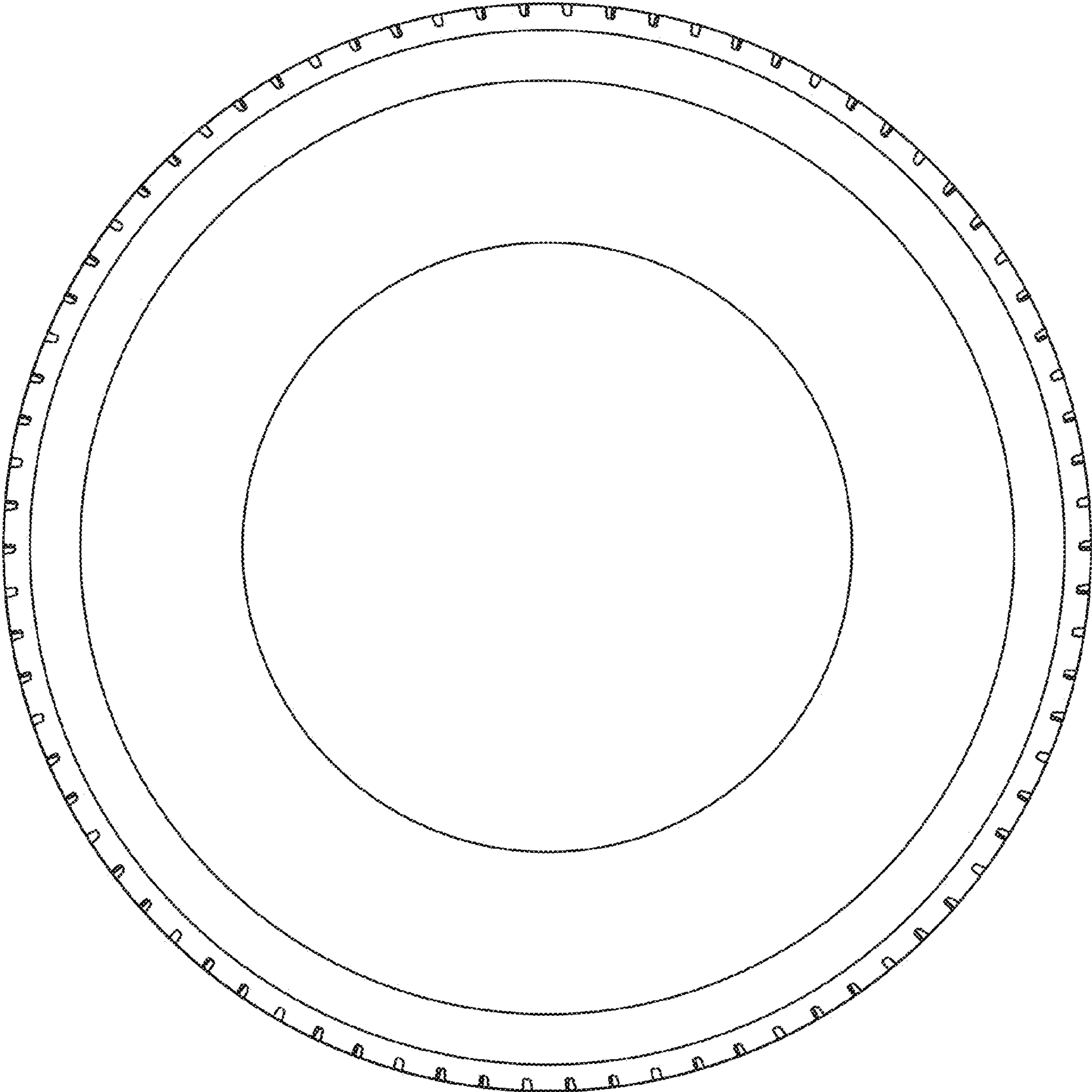


FIG. 4

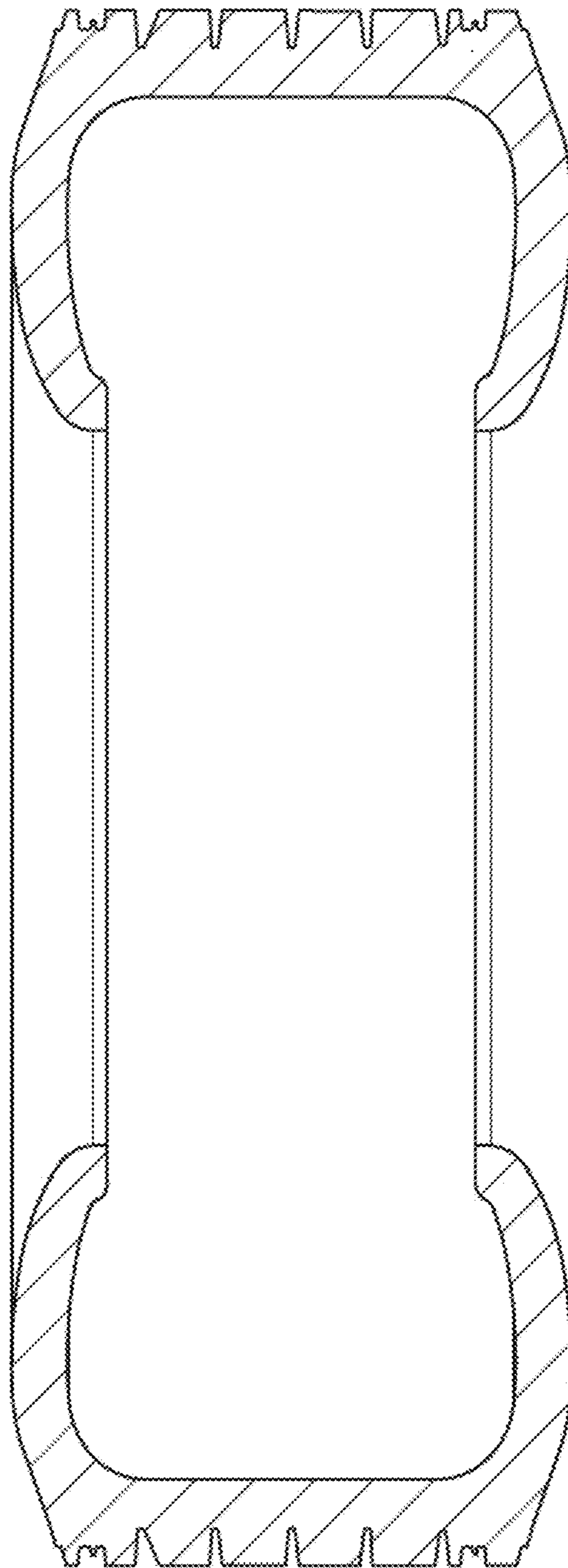


FIG. 5

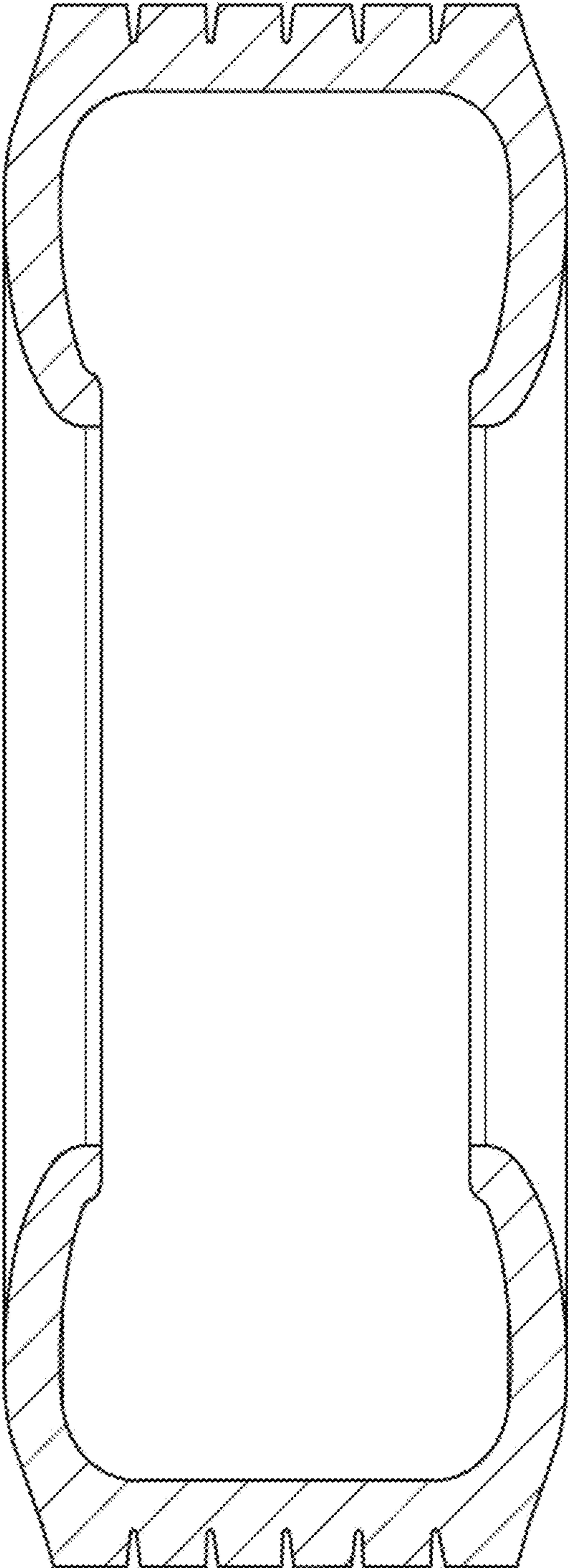


FIG. 6



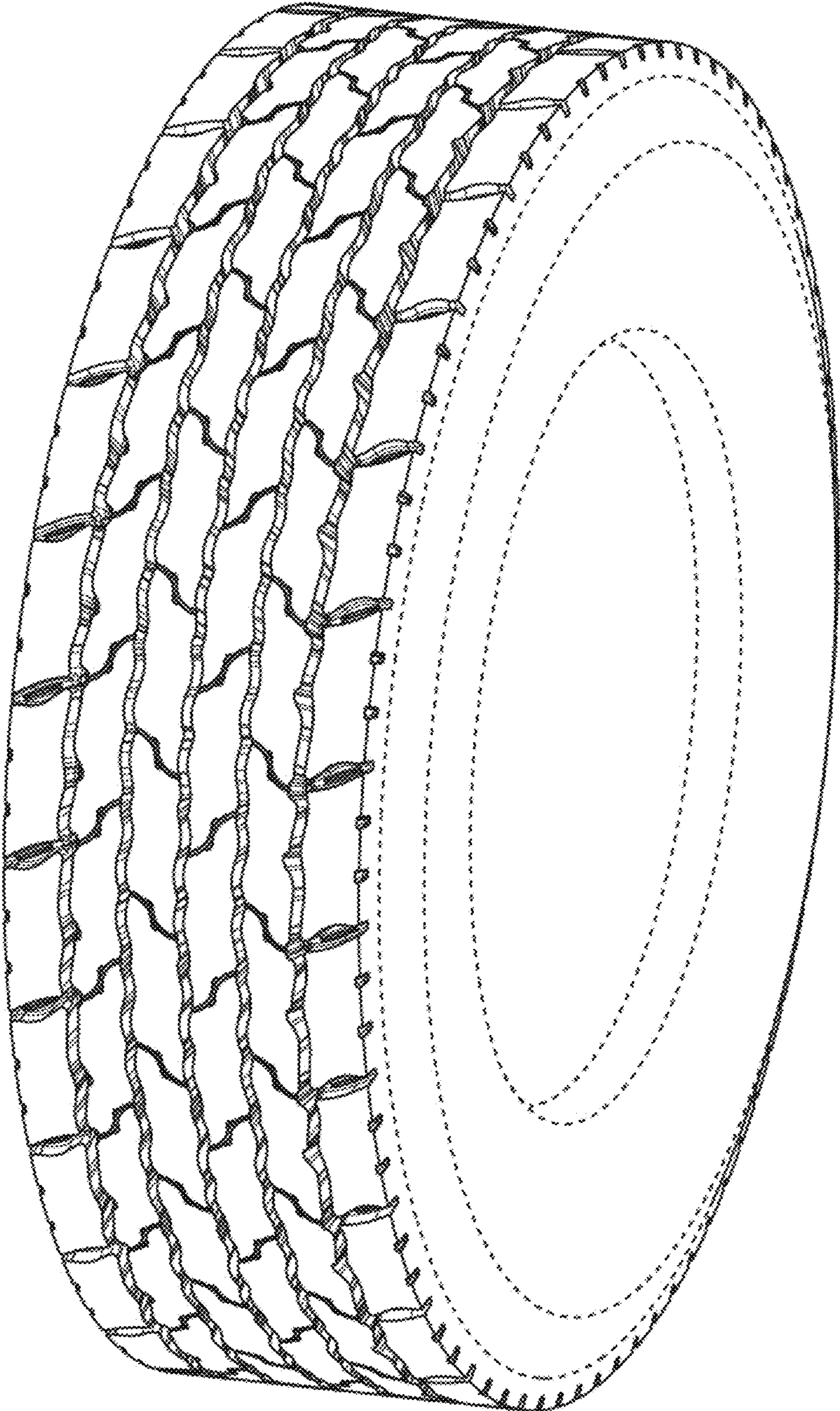


FIG. 7

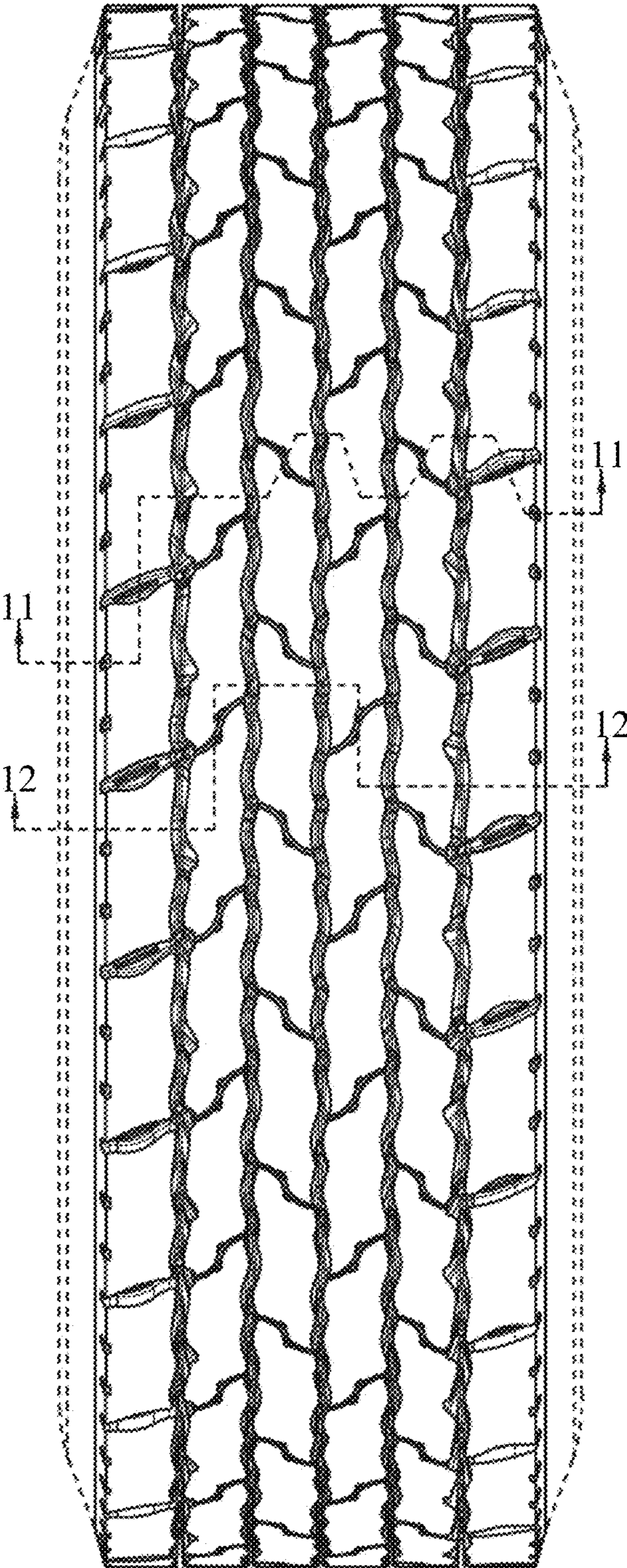


FIG. 8

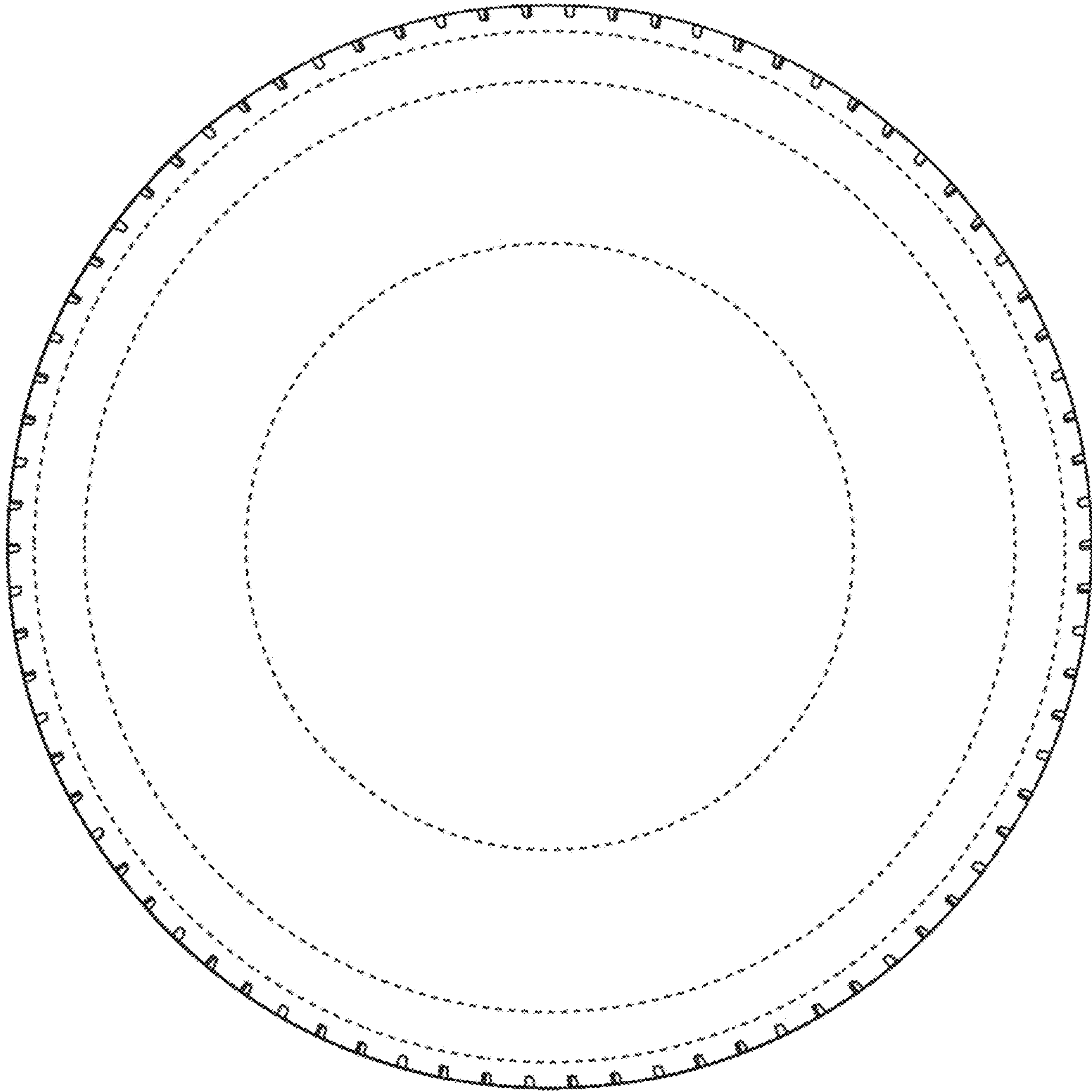


FIG. 9

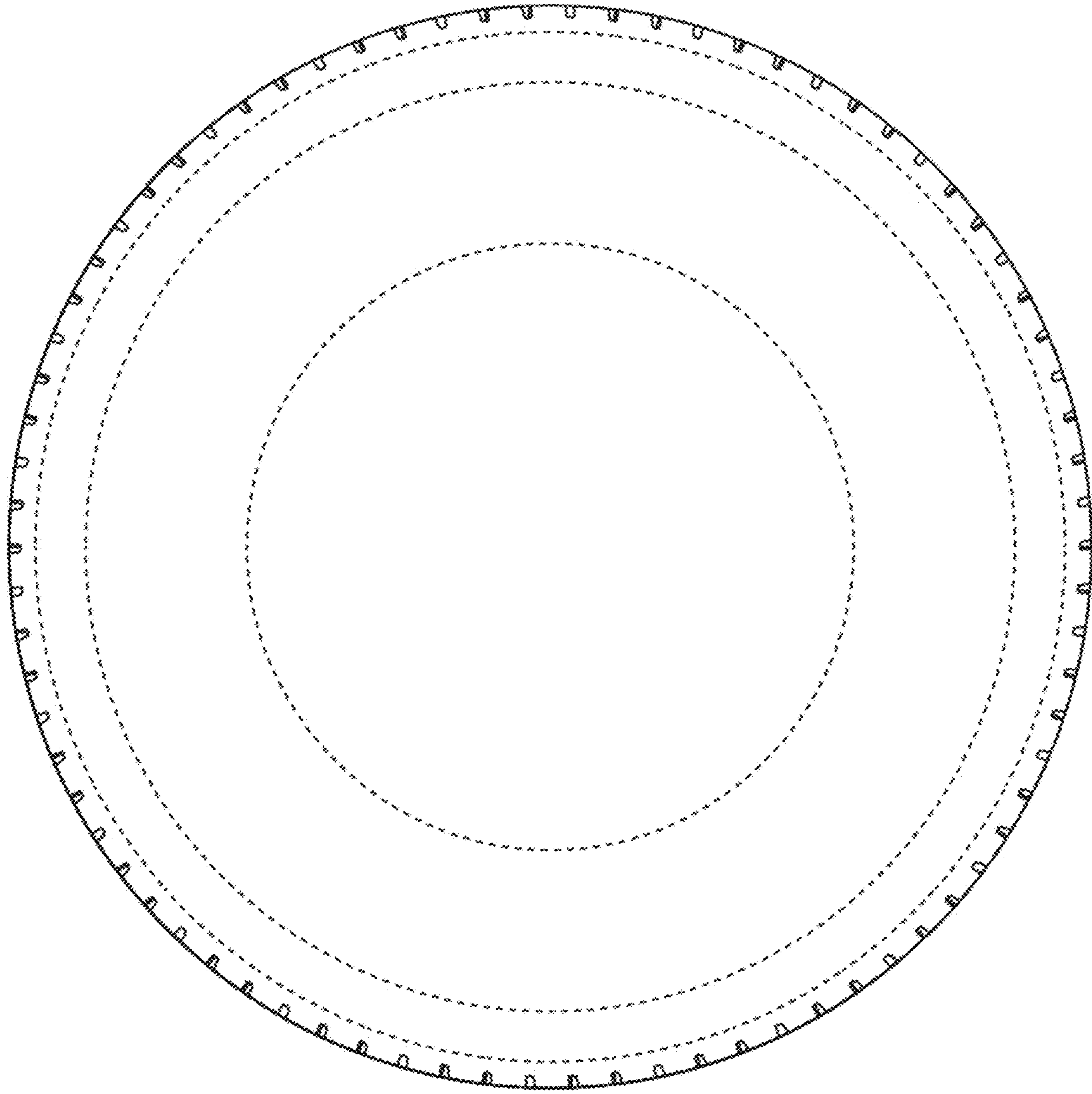


FIG. 10

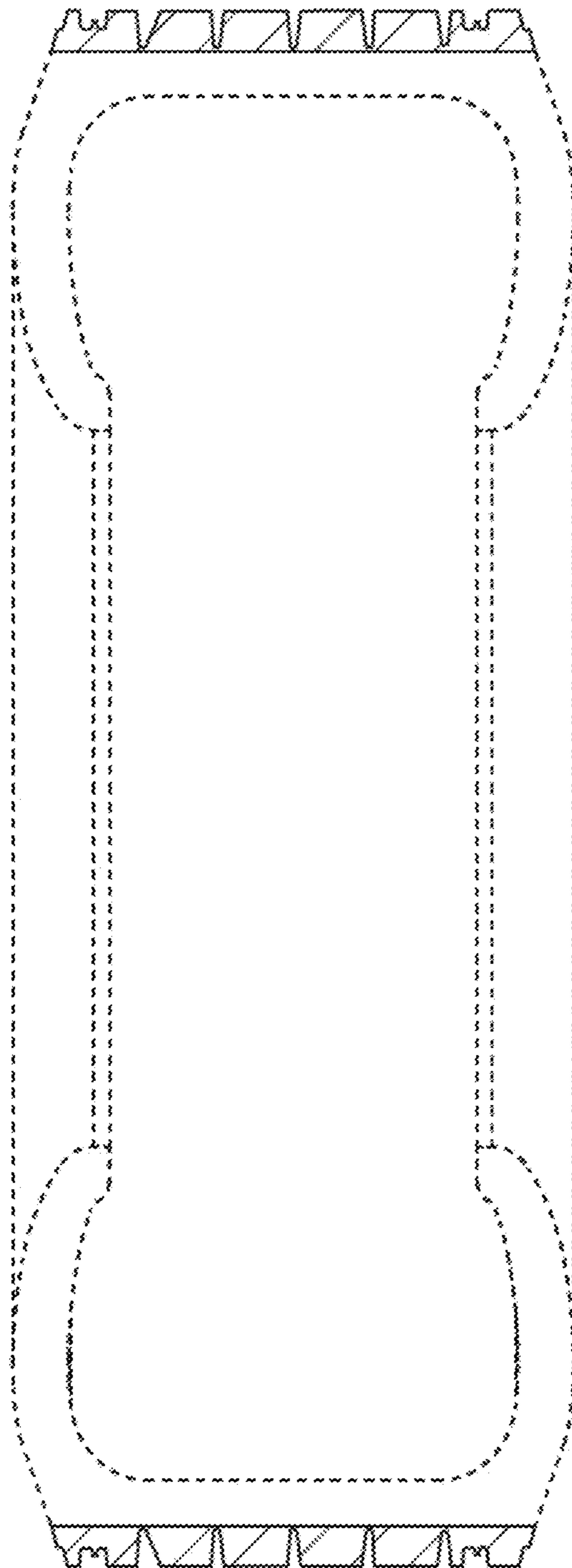


FIG. 11

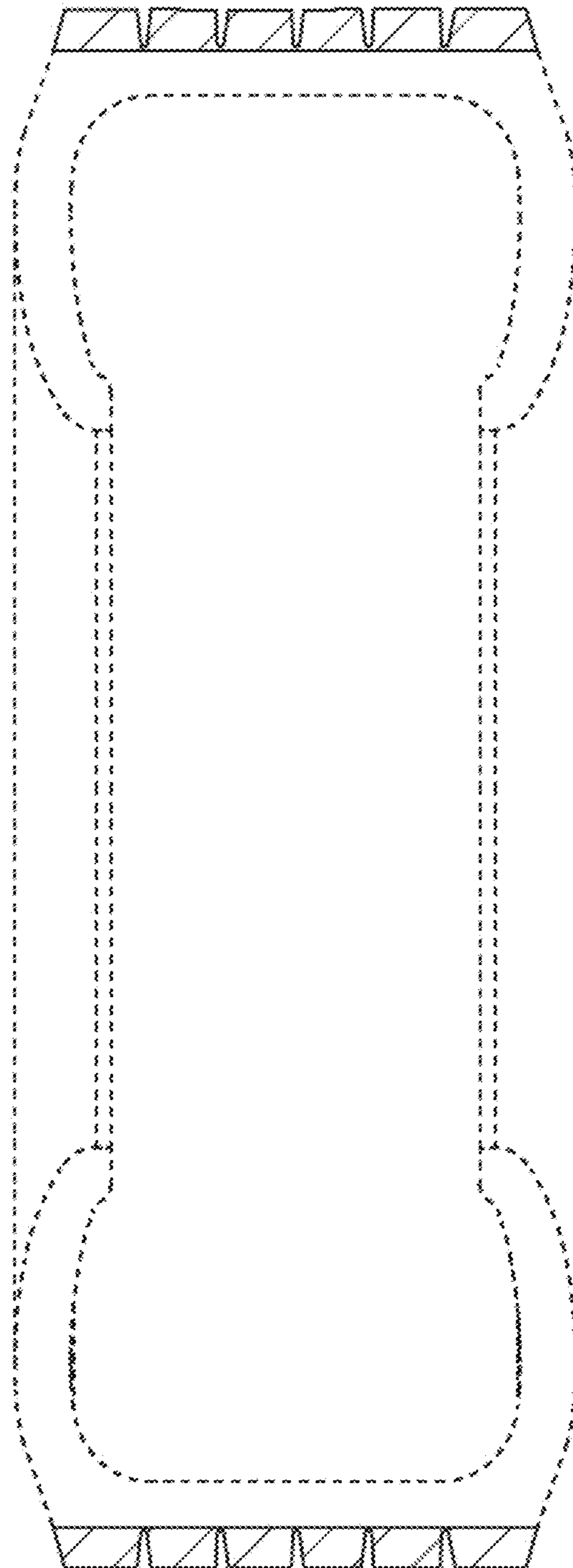


FIG. 12