



US00D867970S

(12) **United States Design Patent**
Yang et al.

(10) **Patent No.:** **US D867,970 S**

(45) **Date of Patent:** **** Nov. 26, 2019**

(54) **CAR CENTER CONSOLE STORAGE BOX**

(71) Applicant: **Shenzhen Huahao Electronic Communications co., LTD.**, Shenzhen (CN)

(72) Inventors: **Jinlong Yang**, Gansu (CN); **Wei Ma**, Bozhou (CN)

(**) Term: **15 Years**

(21) Appl. No.: **29/702,620**

(22) Filed: **Aug. 21, 2019**

(51) **LOC (12) Cl.** **12-16**

(52) **U.S. Cl.**
USPC **D12/423**

(58) **Field of Classification Search**
USPC D12/423, 424, 421, 192, 400, 190
CPC B65D 85/68; B60R 7/00
See application file for complete search history.

(56) **References Cited**

U.S. PATENT DOCUMENTS

D339,934 S *	10/1993	Reuter	D6/668
D391,223 S *	2/1998	Lucas, Jr.	D12/424
6,264,273 B1 *	7/2001	Waters, Sr.	A47C 7/70
				297/188.14
D494,535 S *	8/2004	McCoy	D12/423
D495,989 S *	9/2004	Kohara	D12/424
D540,738 S *	4/2007	Hatch	D12/415

D548,672 S *	8/2007	Hatch	D12/423
D634,698 S *	3/2011	Saint-Jalmes	D12/345
D678,174 S *	3/2013	Wass	D12/418
D746,213 S *	12/2015	Castanha	D12/345
D830,949 S *	10/2018	D'Halluin	D12/415
D846,482 S *	4/2019	Wu		
D860,110 S *	9/2019	Long	D12/345

* cited by examiner

Primary Examiner — Katrina A Betton

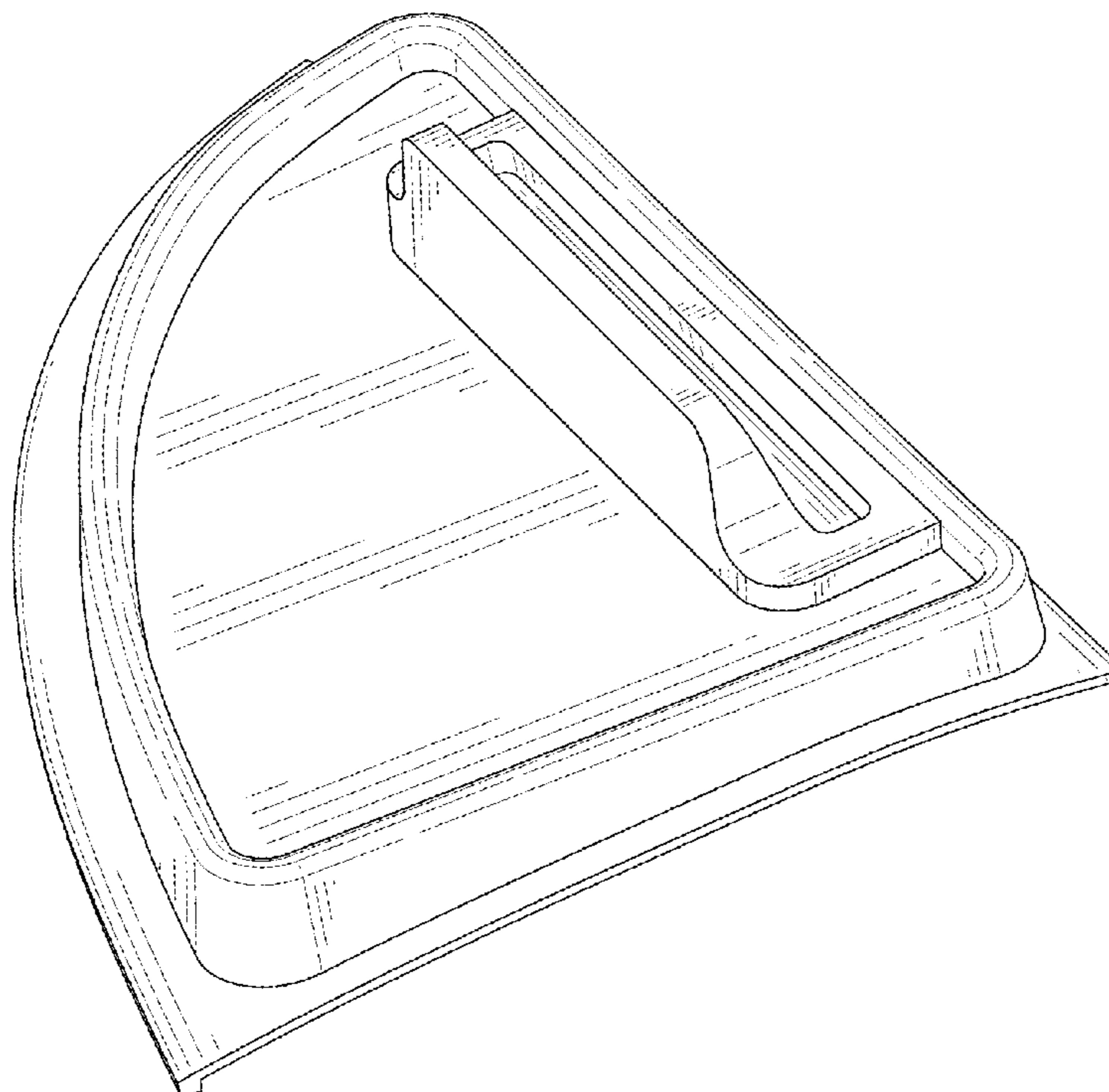
(57) **CLAIM**

The ornamental design for a car center console storage box, as shown and described.

DESCRIPTION

FIG. 1 is a top perspective view of a car center console storage box, showing our new design;
FIG. 2 is a bottom perspective view thereof;
FIG. 3 is a front elevational view thereof;
FIG. 4 is a rear elevational view thereof;
FIG. 5 is a left side elevational view thereof;
FIG. 6 is a right side elevational view thereof;
FIG. 7 is a top plan view thereof; and,
FIG. 8 is a bottom plan view thereof.

1 Claim, 8 Drawing Sheets



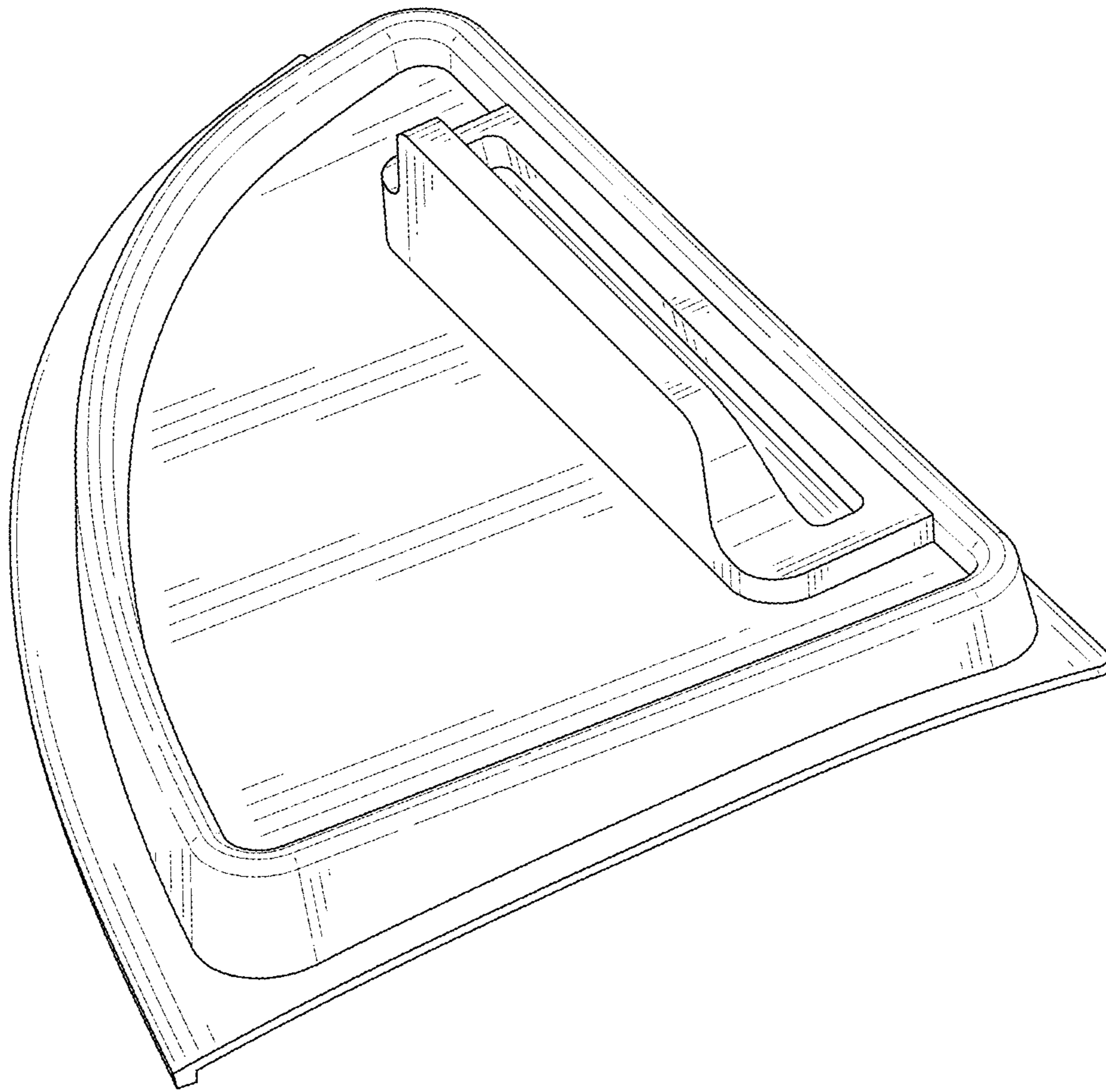


FIG. 1

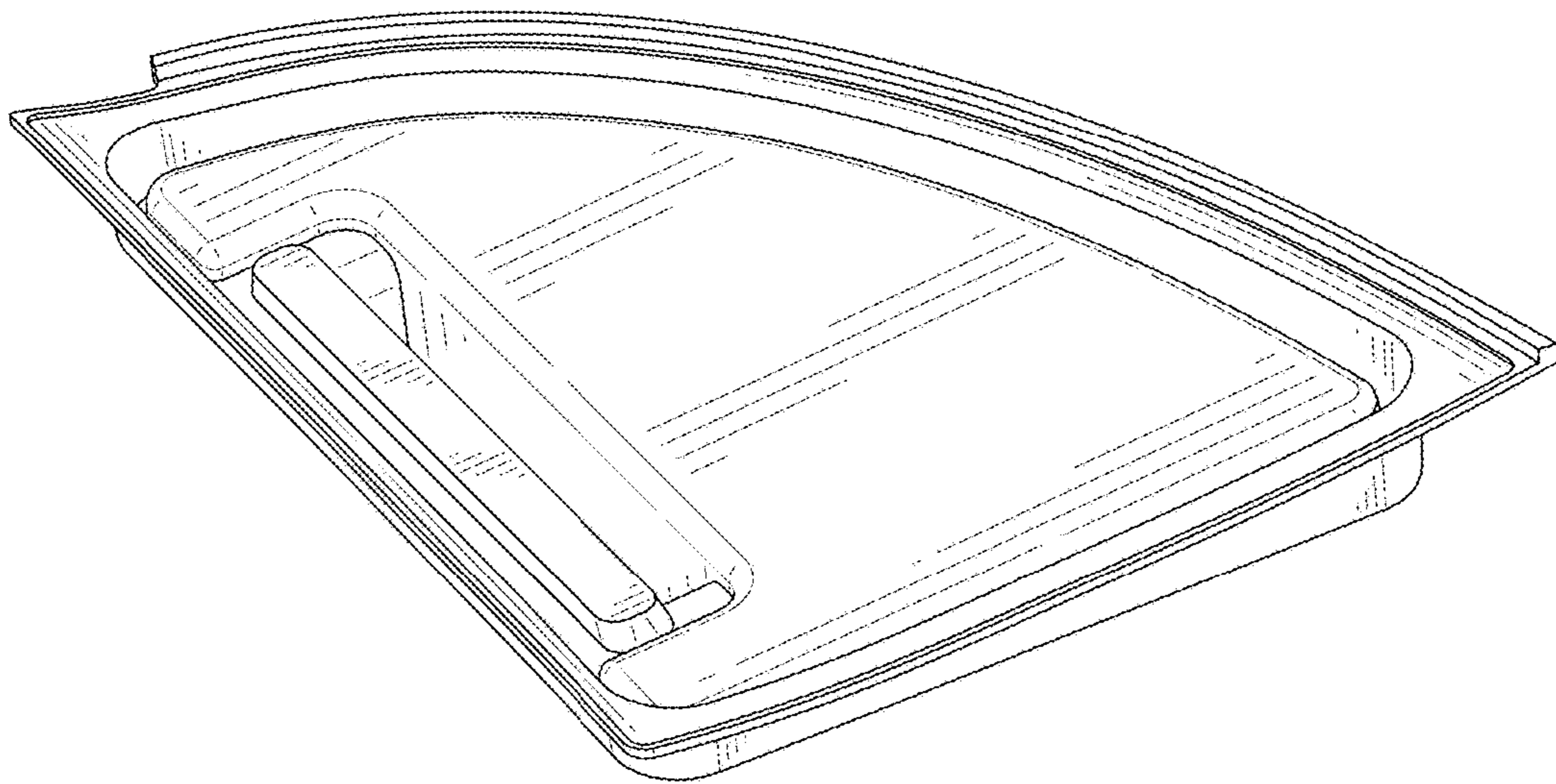


FIG. 2

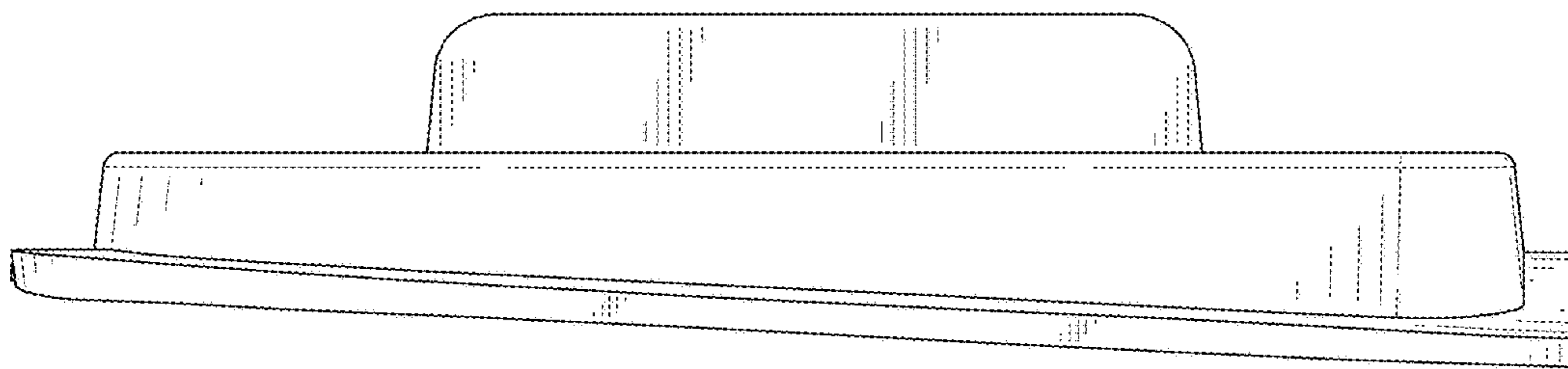


FIG. 3

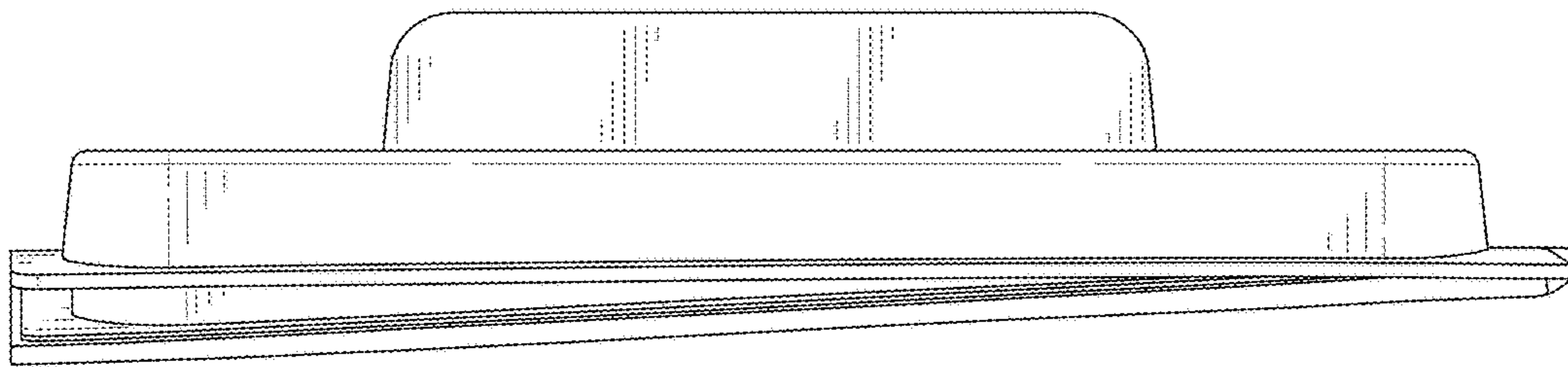


FIG. 4

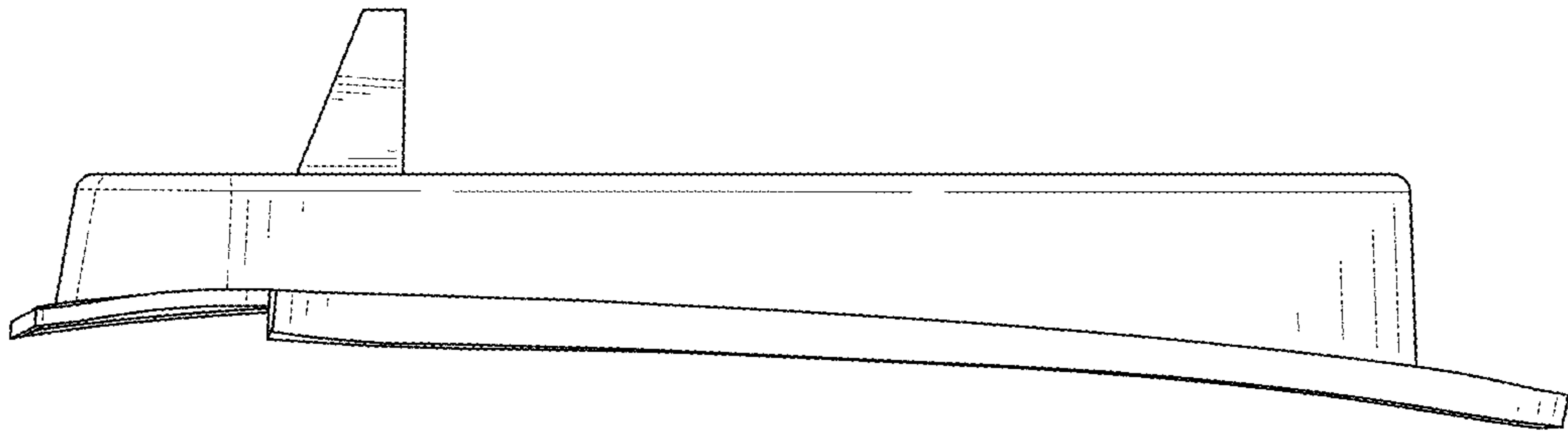


FIG. 5

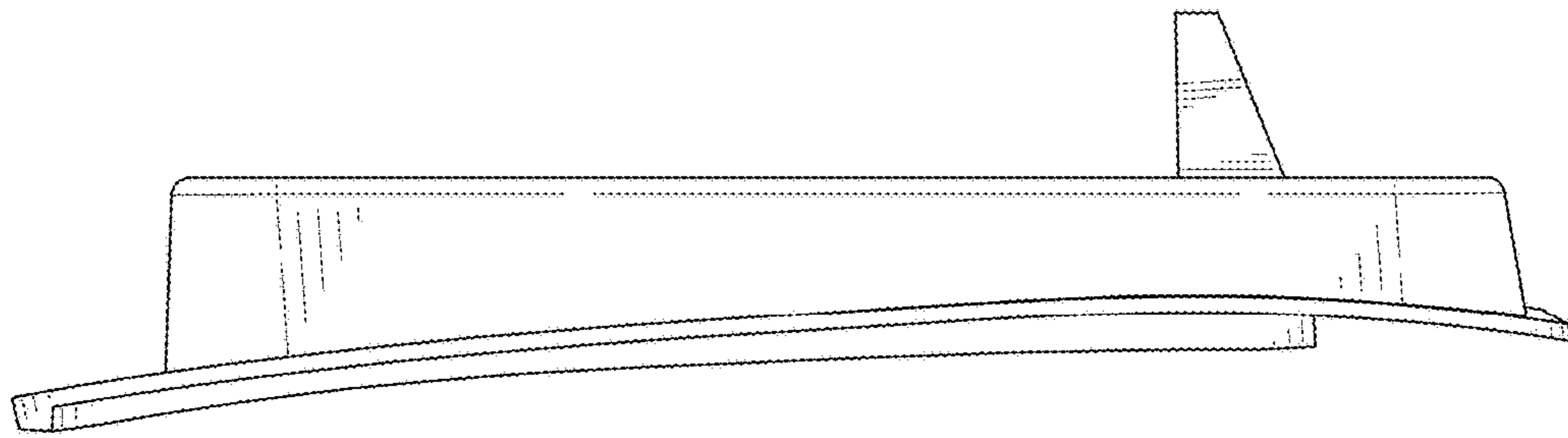


FIG. 6

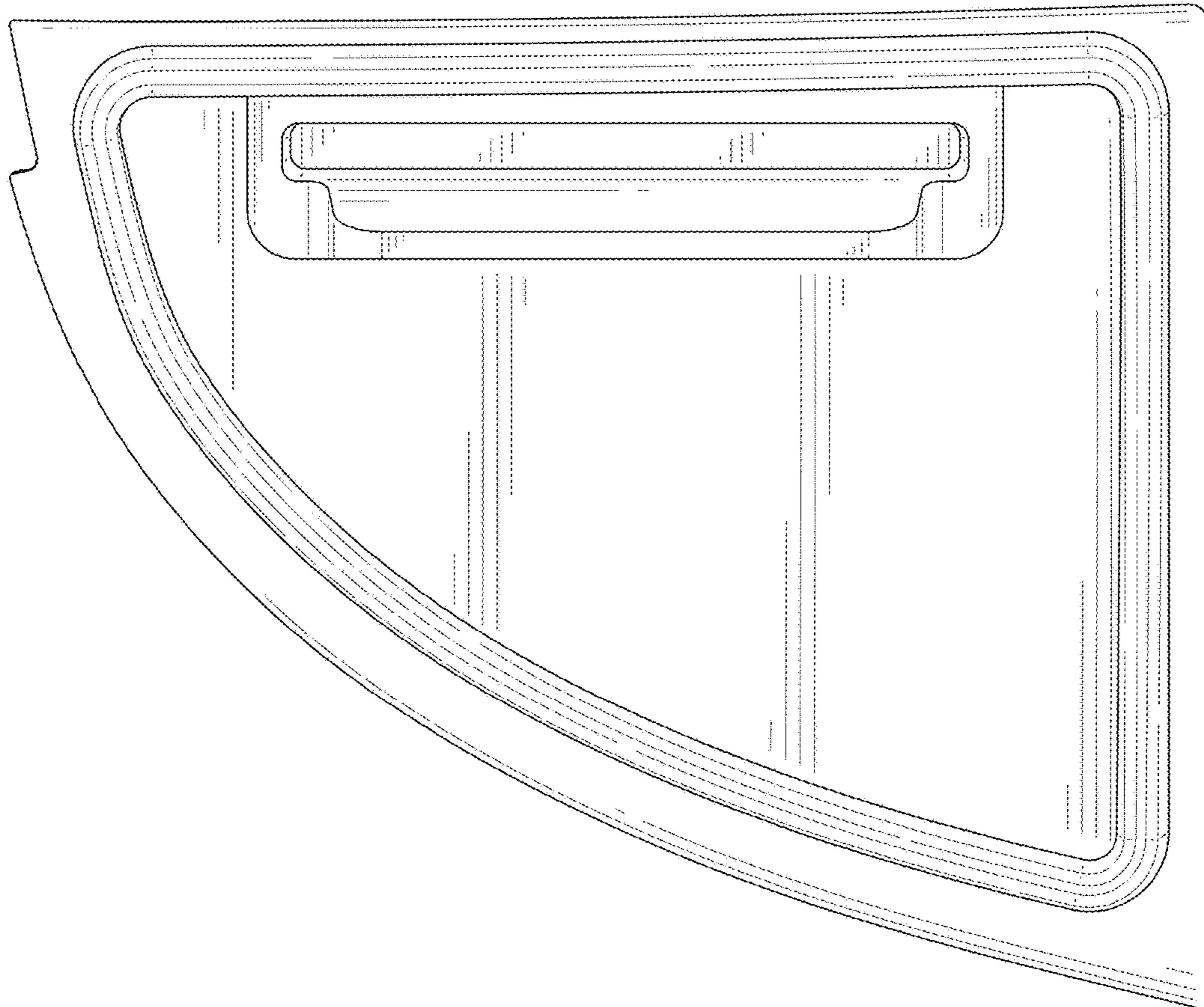


FIG. 7

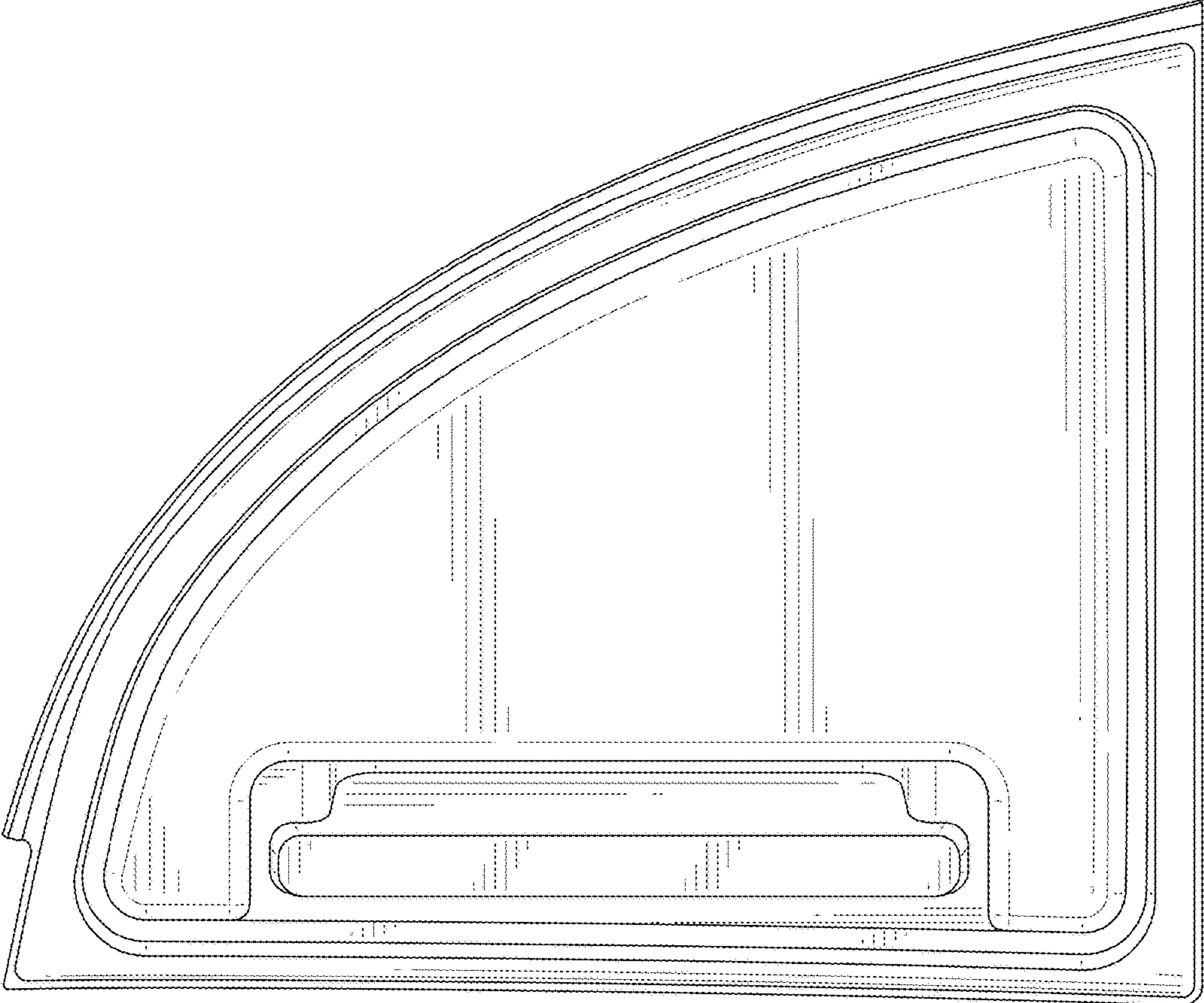


FIG. 8