



US00D867968S

(12) **United States Design Patent** (10) **Patent No.:** **US D867,968 S**  
**Salas** (45) **Date of Patent:** **\*\* Nov. 26, 2019**

- (54) **SUN PROTECTION COVER**
- (71) Applicant: **Marla Jean Salas**, Lakewood, CO (US)
- (72) Inventor: **Marla Jean Salas**, Lakewood, CO (US)
- (\*\*) Term: **15 Years**
- (21) Appl. No.: **29/615,883**
- (22) Filed: **Aug. 31, 2017**

D555,571 S *	11/2007	Eskandry .....	D12/400
D635,085 S	3/2011	Parker	
D658,565 S *	5/2012	Akmal .....	D12/401
D672,294 S *	12/2012	Thompson .....	D12/183
8,764,098 B2	7/2014	Markley et al.	
9,352,636 B1 *	5/2016	Johnson .....	B60J 1/20
D778,794 S *	2/2017	Bouie .....	D12/183
D802,477 S *	11/2017	Salas .....	D12/16
D832,751 S *	11/2018	Lewis .....	D12/183
2012/0247025 A1 *	10/2012	El-Segal .....	B60J 1/2094 49/489.1
2016/0090029 A1 *	3/2016	Levytsky .....	B60J 11/04 340/473

**Related U.S. Application Data**

- (63) Continuation-in-part of application No. 29/550,148, filed on Dec. 30, 2015, now Pat. No. Des. 802,477.
- (51) **LOC (12) Cl.** ..... **12-16**
- (52) **U.S. Cl.**  
USPC ..... **D12/401**
- (58) **Field of Classification Search**  
USPC ..... D5/1, 99; D6/362; D12/16, 181, 182, D12/183, 221, 400, 401, 403, 404, 418  
CPC ..... B60J 1/04; B60J 1/06; B60J 1/08; B60J 1/10; B60J 1/12; B60J 1/16; B60J 1/17; B60J 1/18; B60J 1/1853; B60J 1/2025; B60J 3/005  
See application file for complete search history.

\* cited by examiner

*Primary Examiner* — Mary Ann Calabrese  
*Assistant Examiner* — Catherine Ho  
(74) *Attorney, Agent, or Firm* — Reilly Intellectual Property Law Firm

(57) **CLAIM**

The ornamental design for a sun protection cover, as shown and described.

**DESCRIPTION**

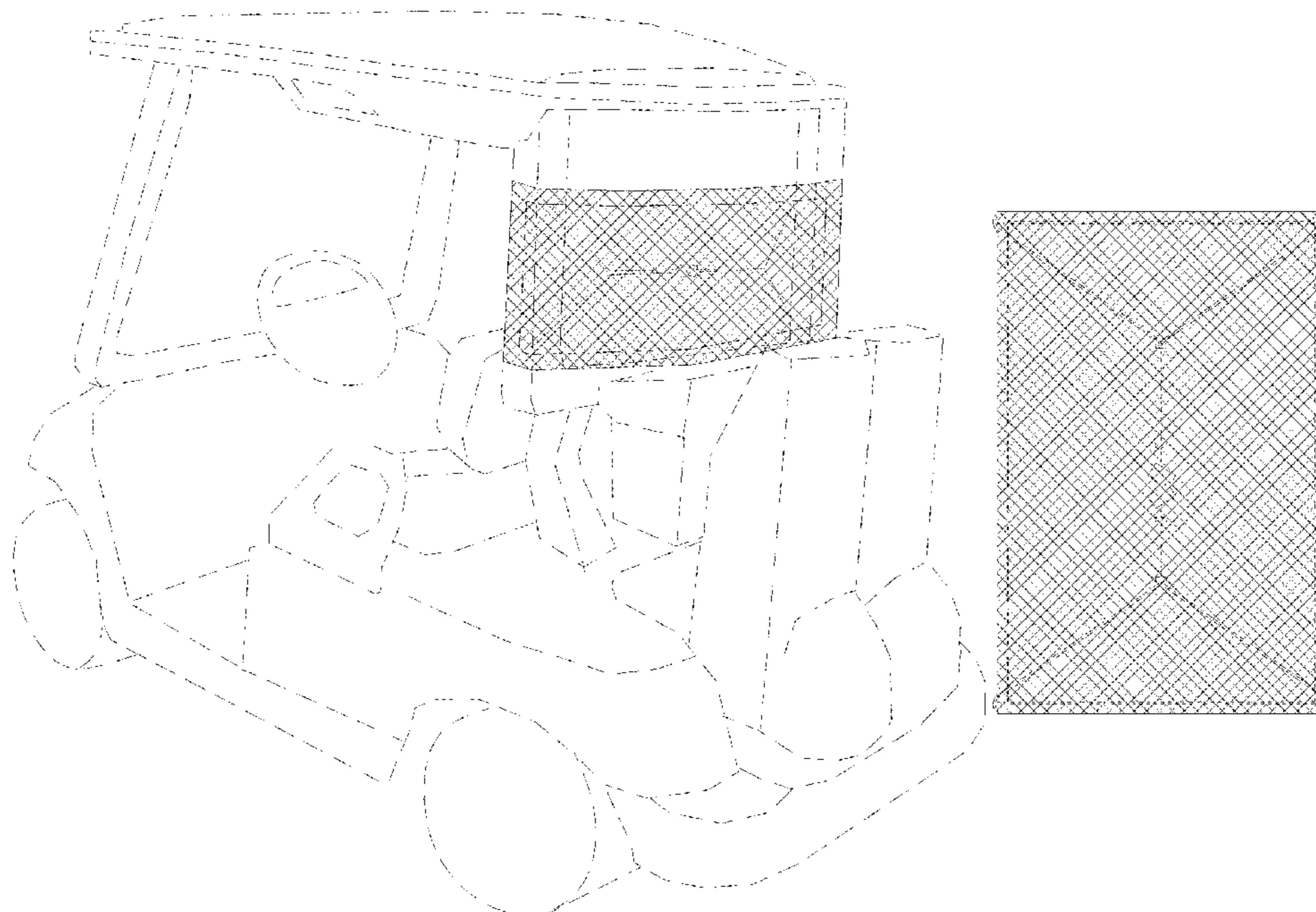
FIG. 1 is a perspective view of a sun protection cover, showing my new design;  
FIG. 2 is a front view of FIG. 1;  
FIG. 3 is a rear view of FIG. 1;  
FIG. 4 is a top view of FIG. 1;  
FIG. 5 is a bottom view of FIG. 1;  
FIG. 6 is a side view of FIG. 1; and,  
FIG. 7 is an opposite side view of FIG. 6.  
The broken line portion of FIG. 1 is included to show environment that form no part of the claimed design. The dot-dot-dash line portion of FIG. 1-3 represent stitching.

(56) **References Cited**

**U.S. PATENT DOCUMENTS**

D298,615 S *	11/1988	Chionuma .....	D12/401
5,259,656 A	11/1993	Carroll	
D360,181 S *	7/1995	Brooks .....	D12/401
D384,324 S *	9/1997	Barker .....	D12/401
5,741,041 A	4/1998	Sullivan	
5,816,641 A *	10/1998	Chen .....	B60J 11/08 296/95.1
6,916,059 B2	7/2005	Feinberg	

**1 Claim, 3 Drawing Sheets**



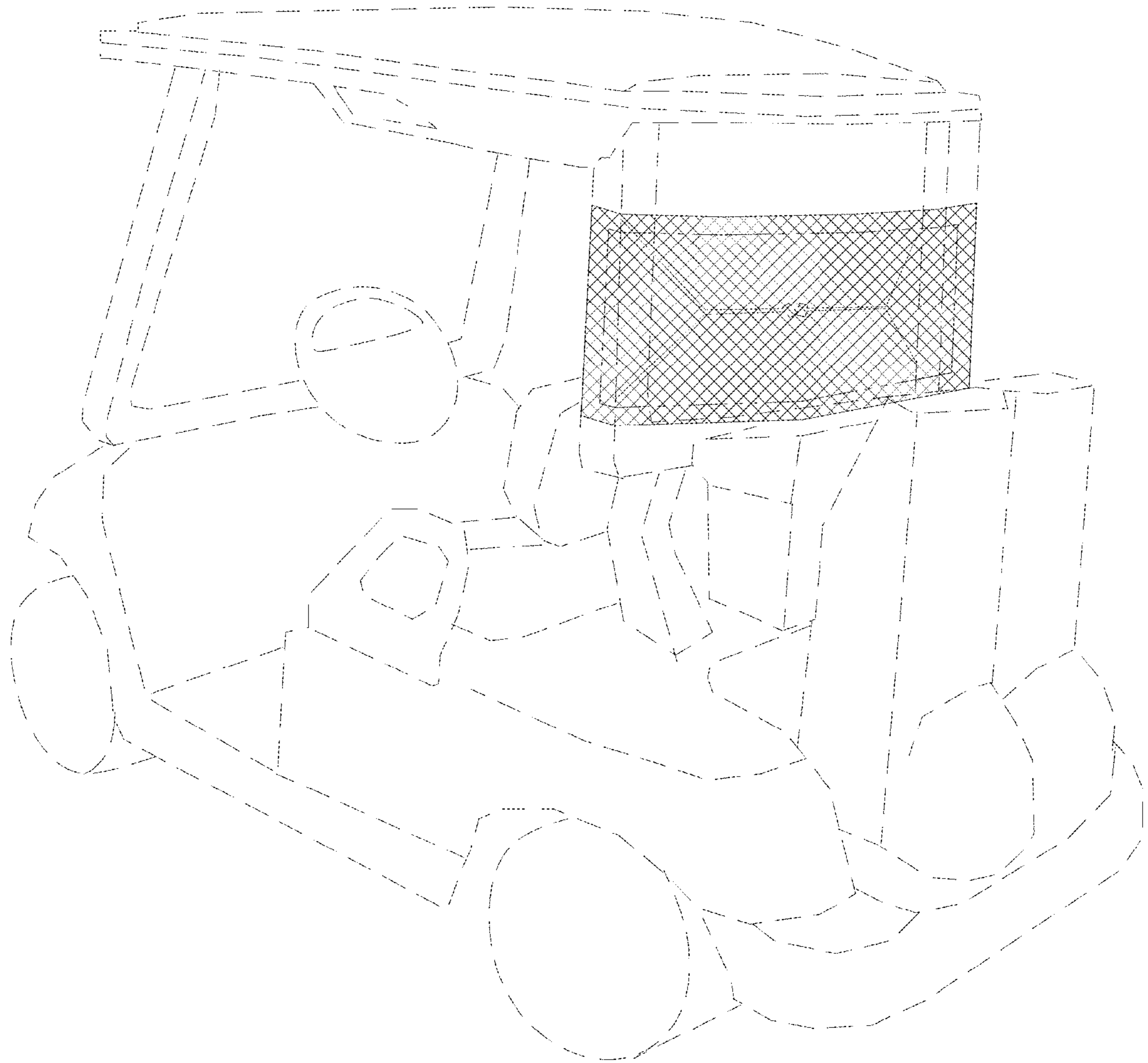


Fig. 1

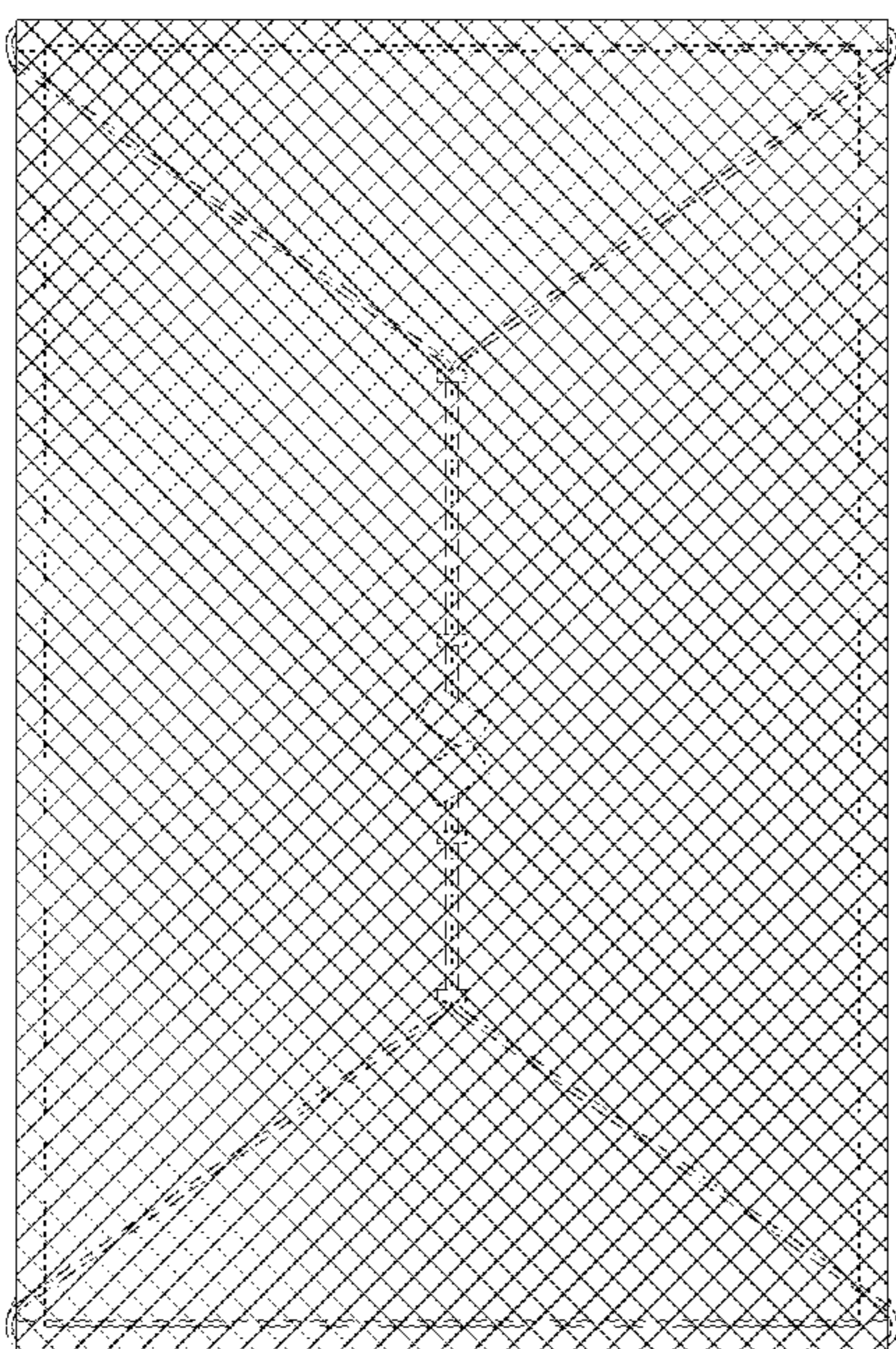


Fig. 2

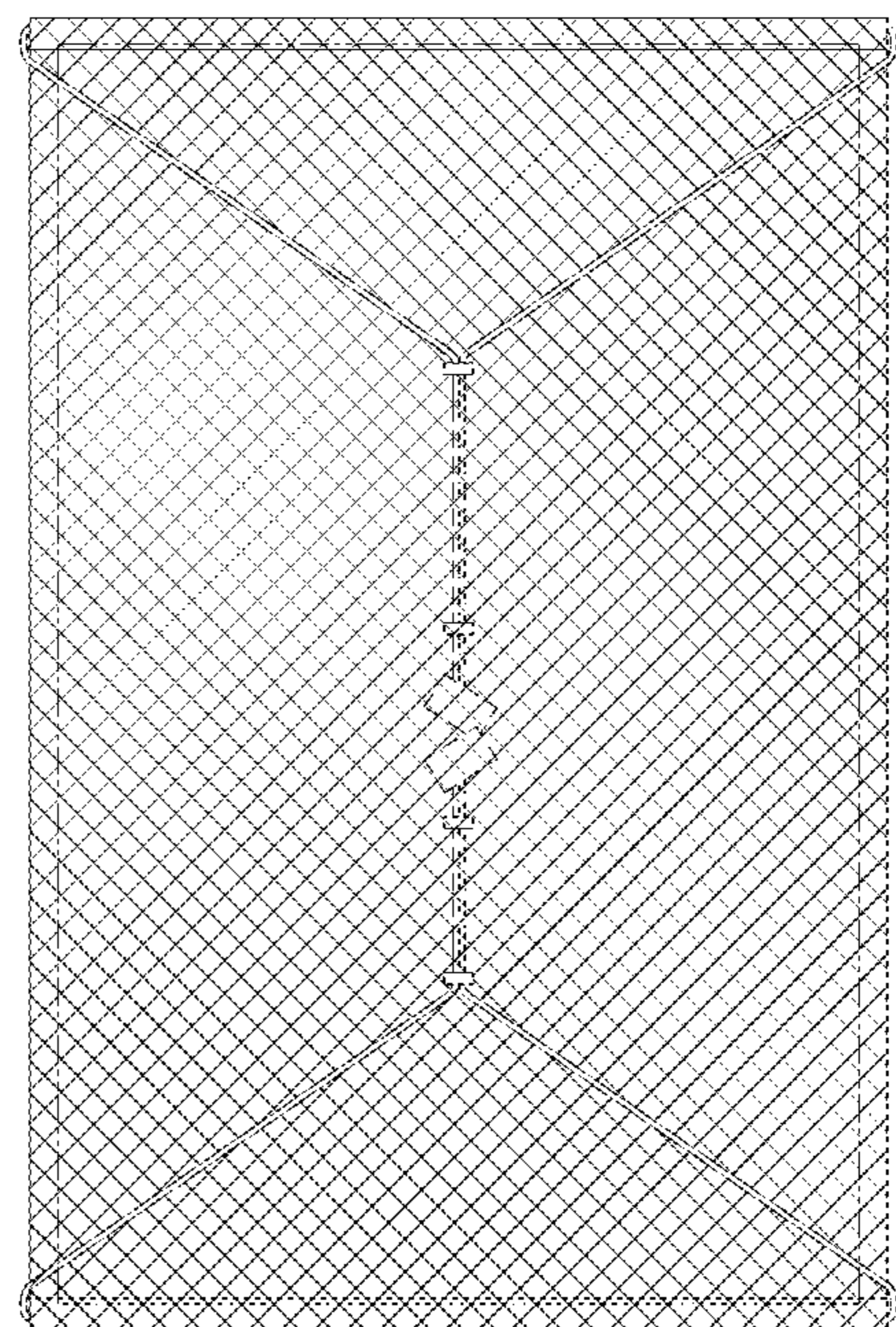


Fig. 3

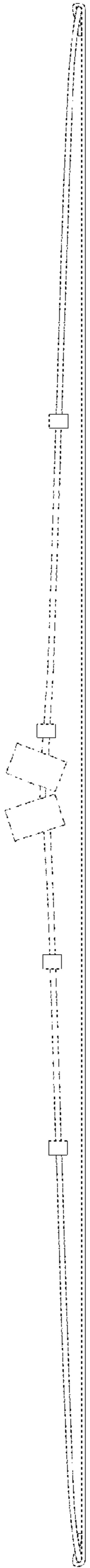


Fig. 4

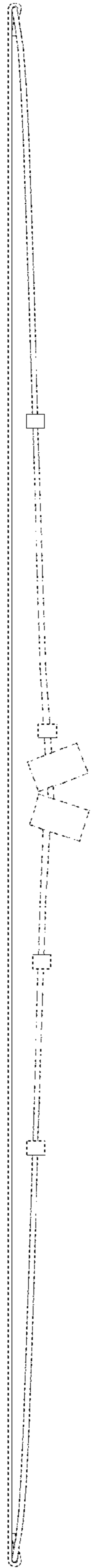


Fig. 5

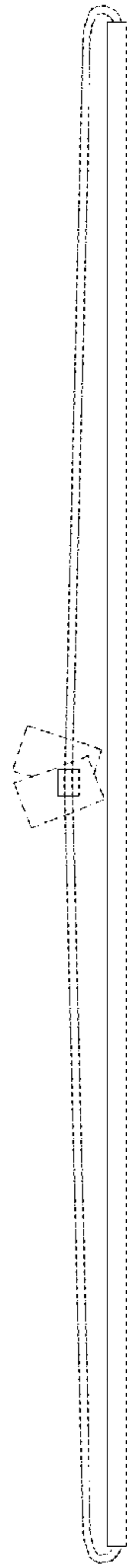


Fig. 6

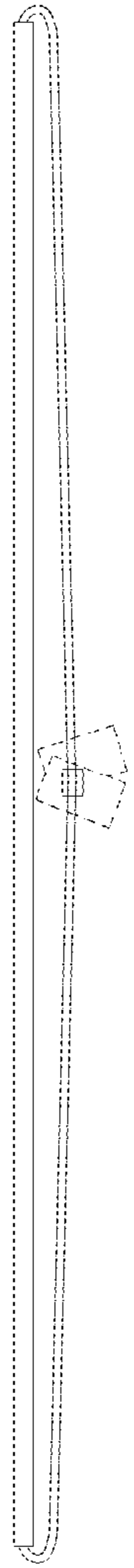


Fig. 7