



US00D867966S

(12) **United States Design Patent**
Barton

(10) **Patent No.:** **US D867,966 S**

(45) **Date of Patent:** **** Nov. 26, 2019**

(54) **MIRRORED HUBCAP ASSEMBLY**

FOREIGN PATENT DOCUMENTS

(71) Applicant: **Tony Michael Barton**, New Orleans,
LA (US)

JP 60189610 A * 9/1985 B60B 7/00
JP 60222301 A * 11/1985 B60B 7/068

(72) Inventor: **Tony Michael Barton**, New Orleans,
LA (US)

Primary Examiner — Sheryl Lane
Assistant Examiner — Calvin E Vansant

(**) Term: **15 Years**

(74) *Attorney, Agent, or Firm* — Keaty Law Firm LLC

(21) Appl. No.: **29/613,653**

(57) **CLAIM**

(22) Filed: **Aug. 11, 2017**

The ornamental design for a mirrored hubcap assembly, as shown and described.

(51) **LOC (12) Cl.** **12-16**

(52) **U.S. Cl.**
USPC **D12/213**

DESCRIPTION

(58) **Field of Classification Search**
USPC D12/204–213; D21/533, 561, 563
CPC B60B 7/00; B60B 7/02; B60B 7/04; B60B
7/06; B60B 7/14; B60B 3/02; B60B 3/04;
B60B 3/06; B60B 3/10; B60B 1/00;
B60B 1/08; B60B 1/10; B60B 1/12;
B60B 7/006; B60B 7/068; B60B 7/0073
See application file for complete search history.

FIG. 1 is a perspective view of the ornamental design for a mirrored hubcap assembly according to the present invention, with the separate physical elements of the mirrored hubcap assembly separated for visual reference.

FIG. 2 is a front view of the mirrored hubcap assembly shown in FIG. 1.

FIG. 3 is a back view of the mirrored hubcap assembly shown in FIG. 1.

FIG. 4 is a left-side view of the mirrored hubcap assembly shown in FIG. 1.

FIG. 5 is a right-side view of the mirrored hubcap assembly shown in FIG. 1, opposite the left-side view of FIG. 4.

FIG. 6 is a top view of the mirrored hubcap assembly shown in FIG. 1.

FIG. 7 is a bottom view of the mirrored hubcap assembly shown in FIG. 1; and,

FIG. 8 is a second perspective view of the mirrored hubcap assembly shown in FIG. 1, with the separate physical elements of the mirrored hubcap assembly connected to each other.

In FIG. 1, the dashed broken lines depict environment and form no part of the claim. The dot-dash broken lines represent the alignment lines of the parts of the mirrored hubcap assembly and form no part of the claim.

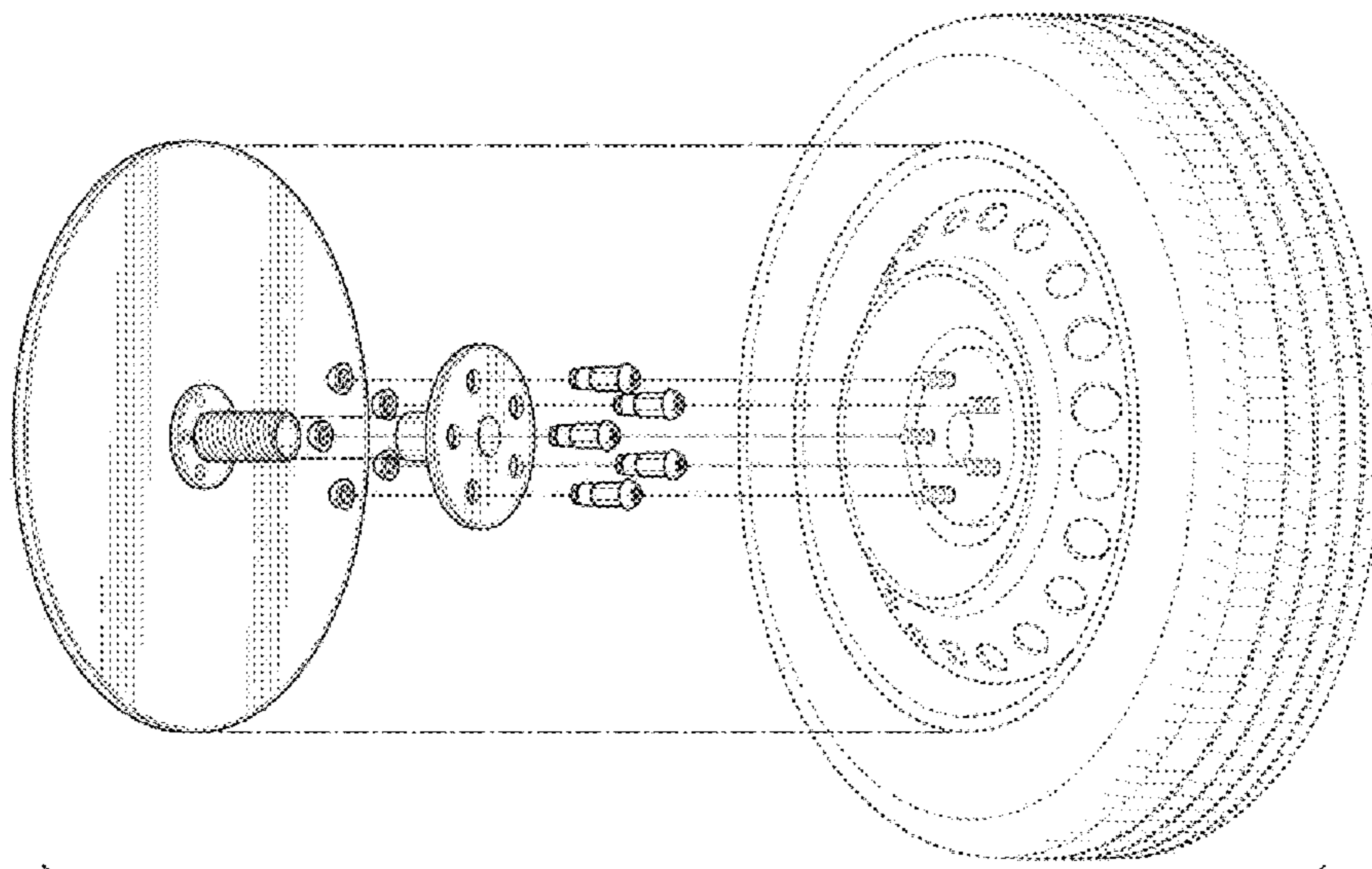
(56) **References Cited**

U.S. PATENT DOCUMENTS

3,724,905	A *	4/1973	Kachler	B60B 7/04 301/37.105
4,214,683	A *	7/1980	Wills	B60B 7/00 224/42.2
4,462,639	A *	7/1984	Holmstrom	B60B 7/14 301/108.5
5,222,785	A *	6/1993	Green	B60B 7/068 301/108.4
5,263,770	A *	11/1993	Goudey	B60B 7/04 301/108.4
6,120,104	A *	9/2000	Okamoto	G09F 21/045 301/37.25
D619,526	S *	7/2010	Fleck	B60B 7/068 D12/213

(Continued)

1 Claim, 5 Drawing Sheets



(56)

References Cited

U.S. PATENT DOCUMENTS

D752,494 S * 3/2016 Polka B60B 7/04
D12/204
9,428,007 B1 * 8/2016 Becker B60B 7/14
9,801,325 B2 * 10/2017 Wills B60B 7/02
D808,877 S * 1/2018 Liu B60B 7/14
D12/204
9,868,318 B2 * 1/2018 Becker B60B 7/006
2008/0272643 A1 * 11/2008 Young B60B 7/0006
301/37.25
2013/0076106 A1 * 3/2013 Mooney B60B 7/20
301/37.25
2013/0076107 A1 * 3/2013 Starnes B60B 7/00
301/37.102
2014/0265533 A1 * 9/2014 Polka B60B 7/14
301/37.102
2014/0284994 A1 * 9/2014 Polka B60B 7/04
301/37.102
2018/0104981 A1 * 4/2018 Roll B60B 7/14

* cited by examiner

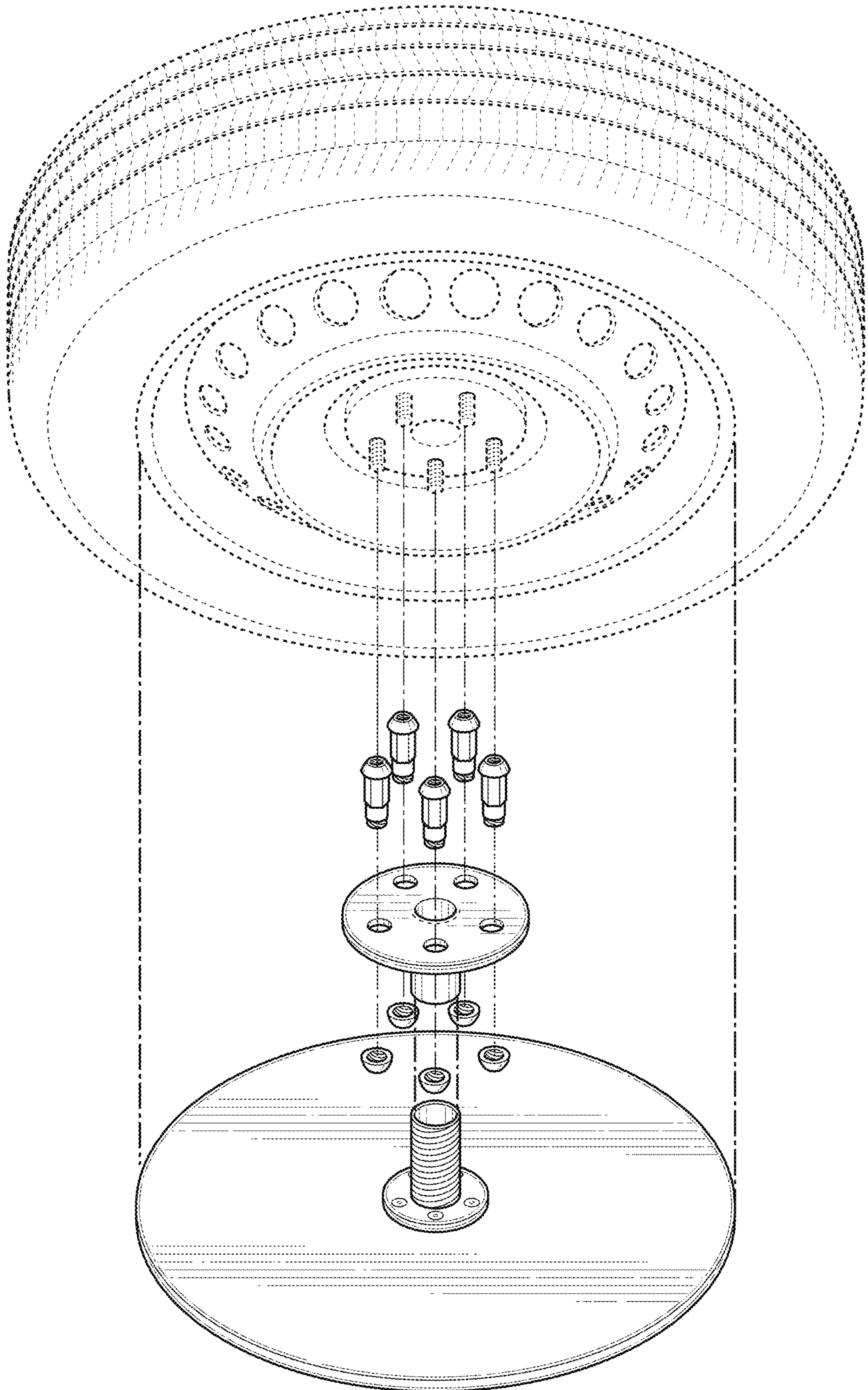


FIG. 1

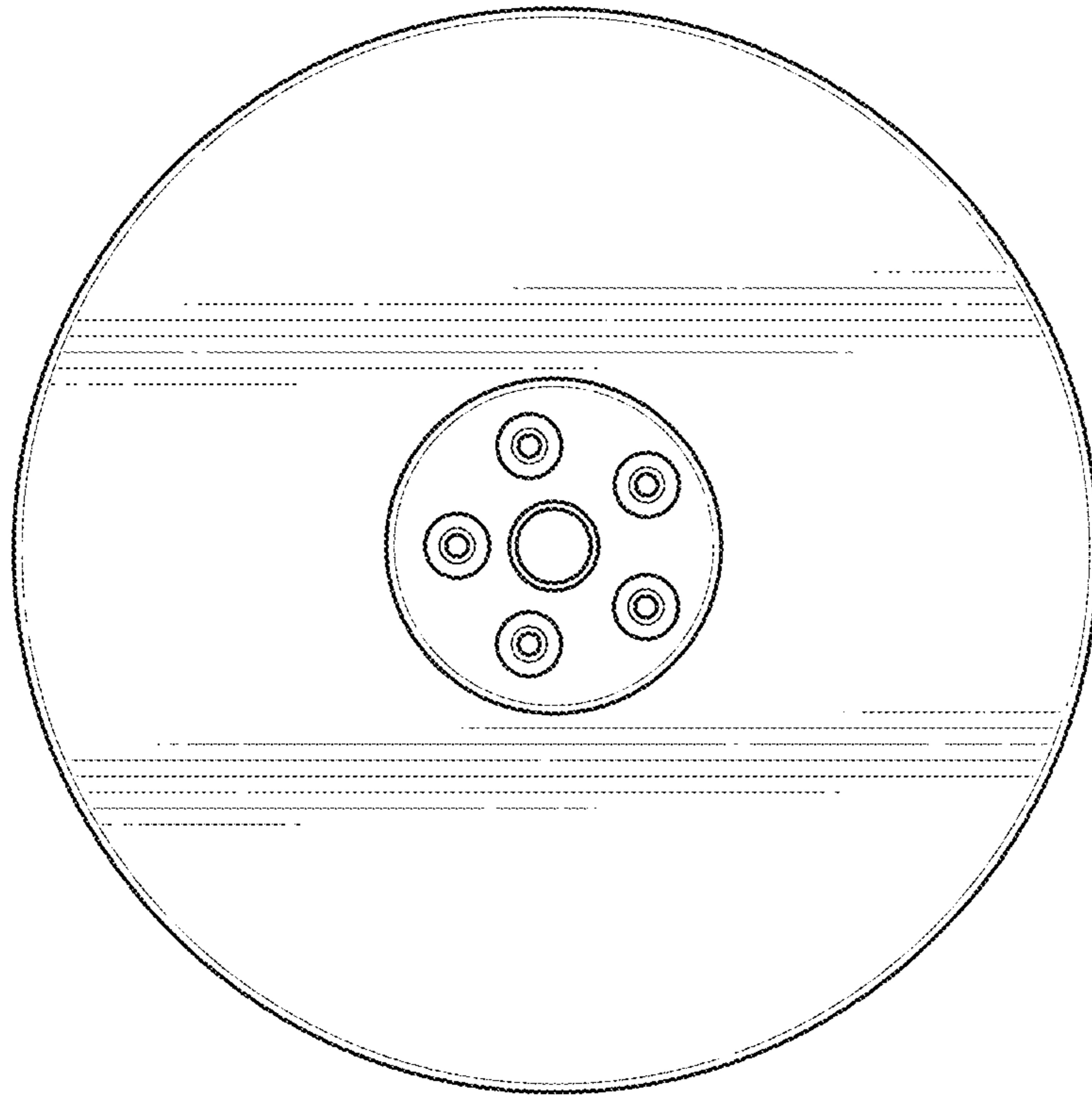


FIG. 2

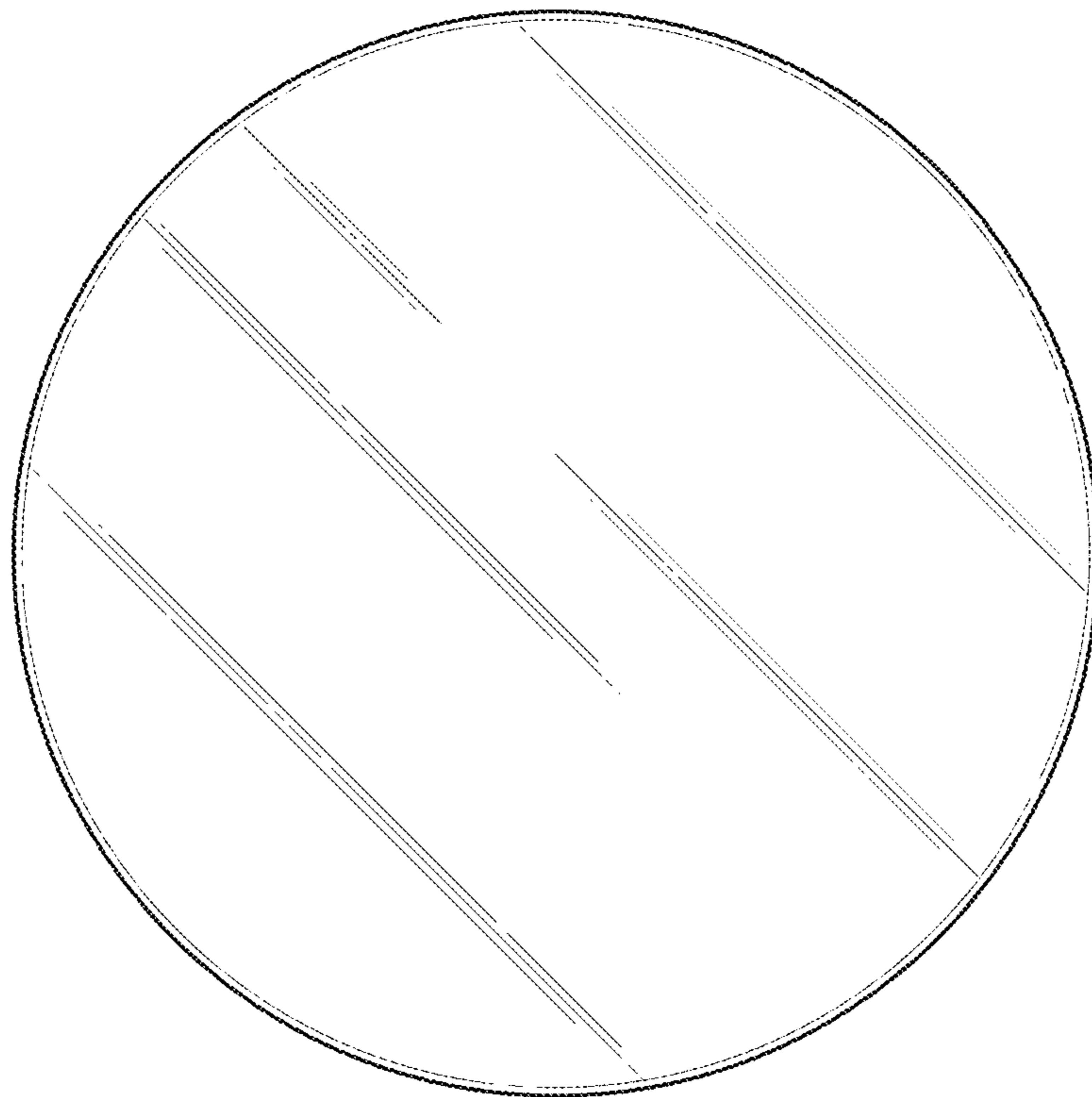


FIG. 3

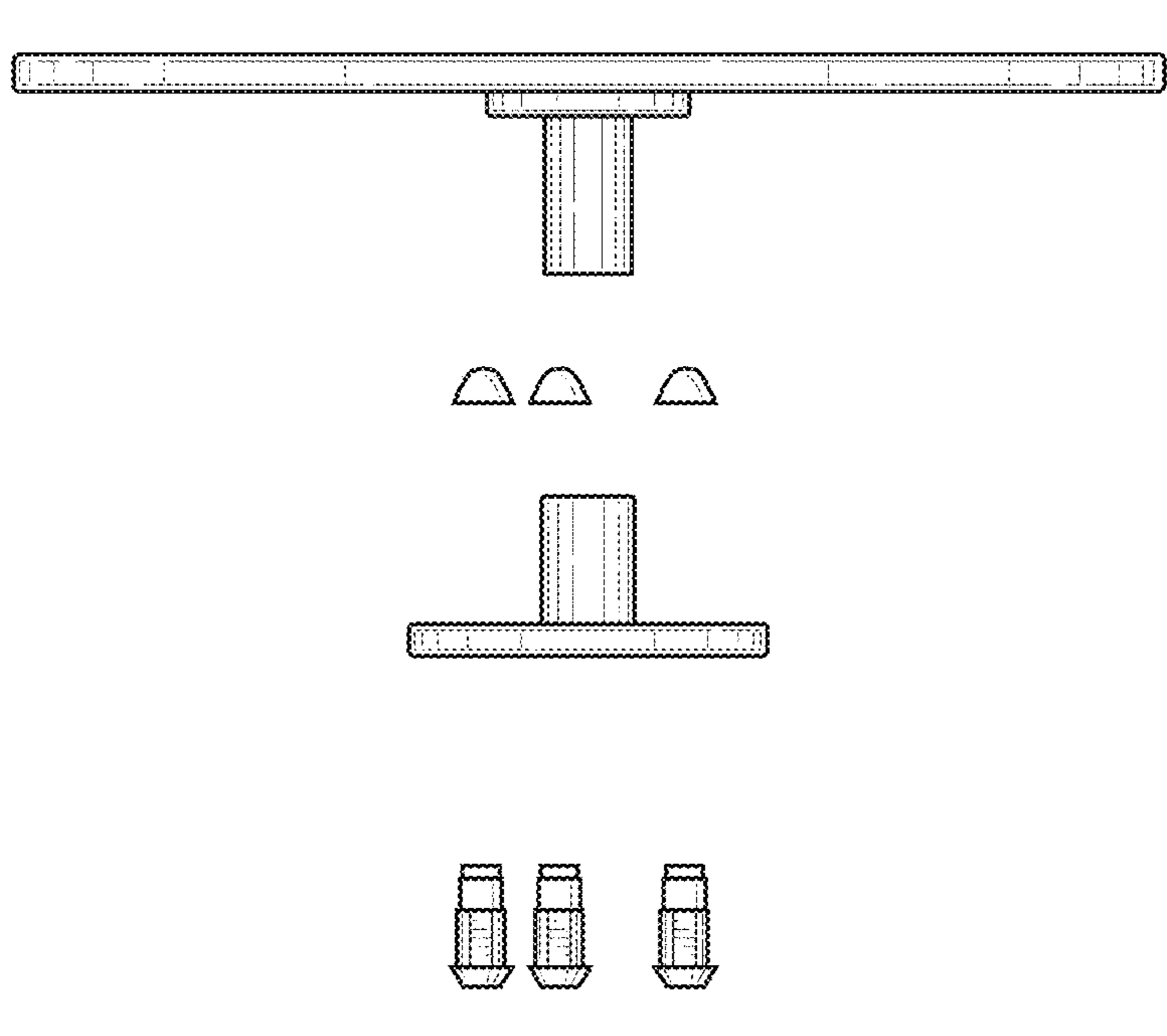


FIG. 5

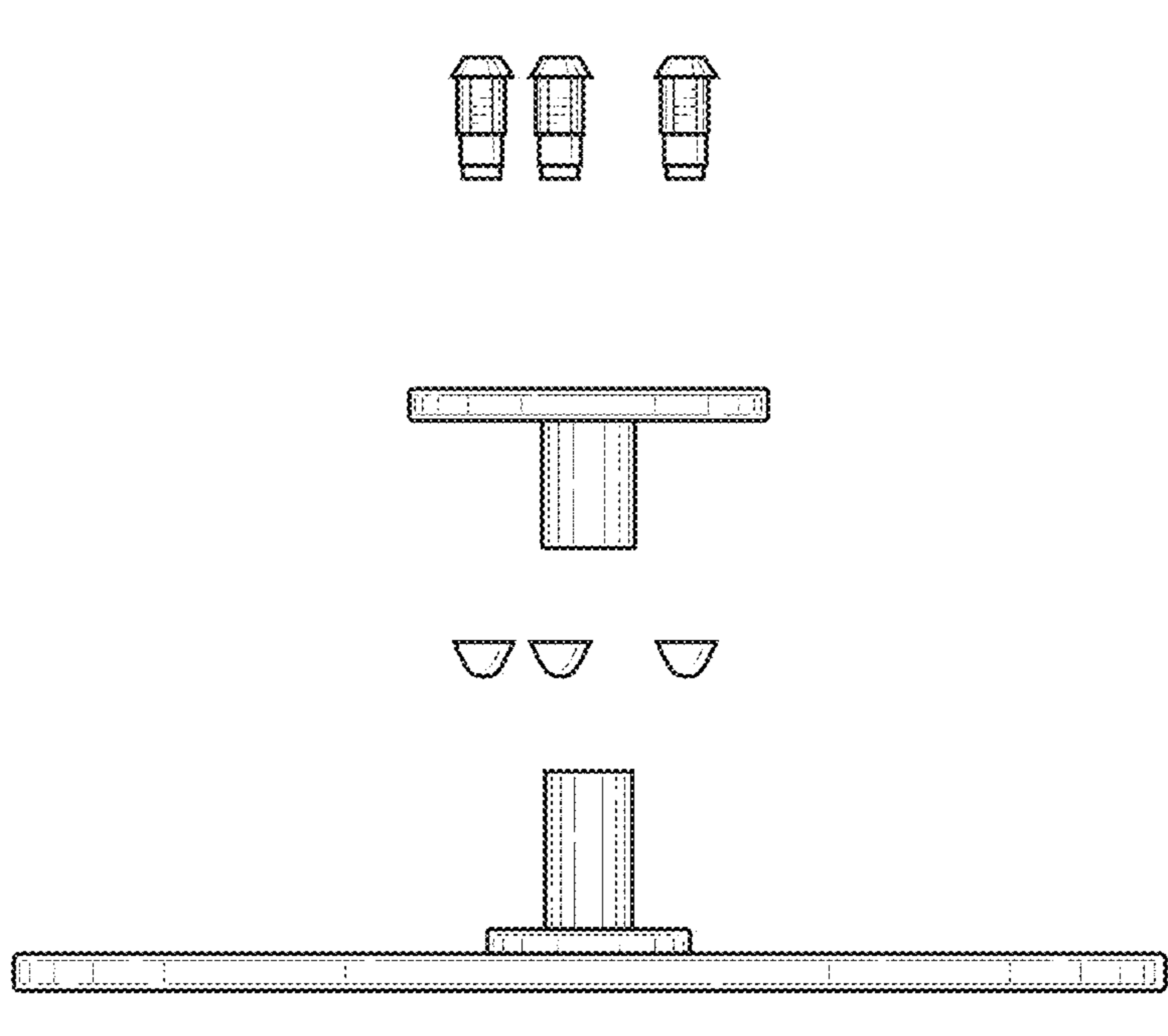
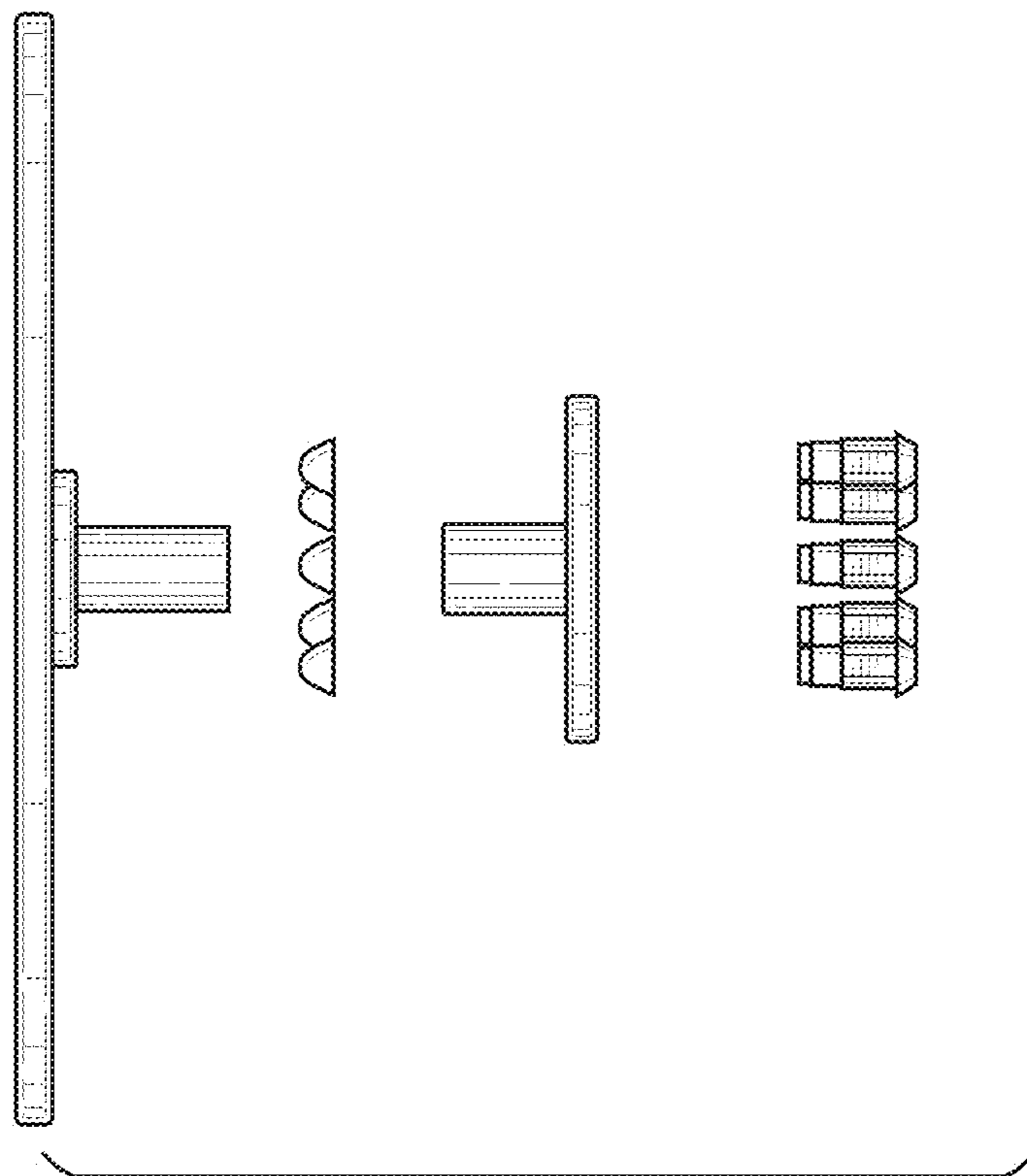
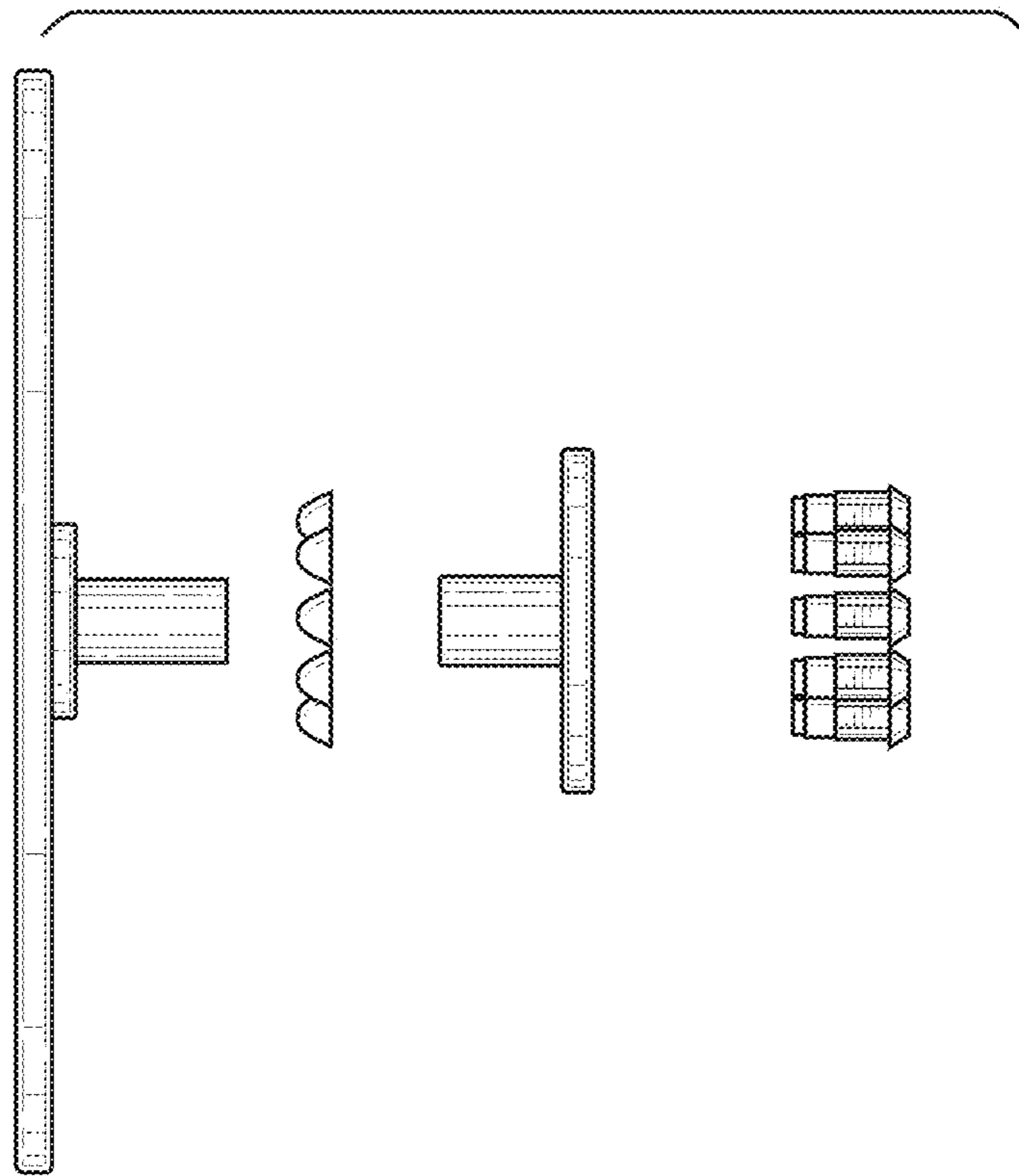


FIG. 4



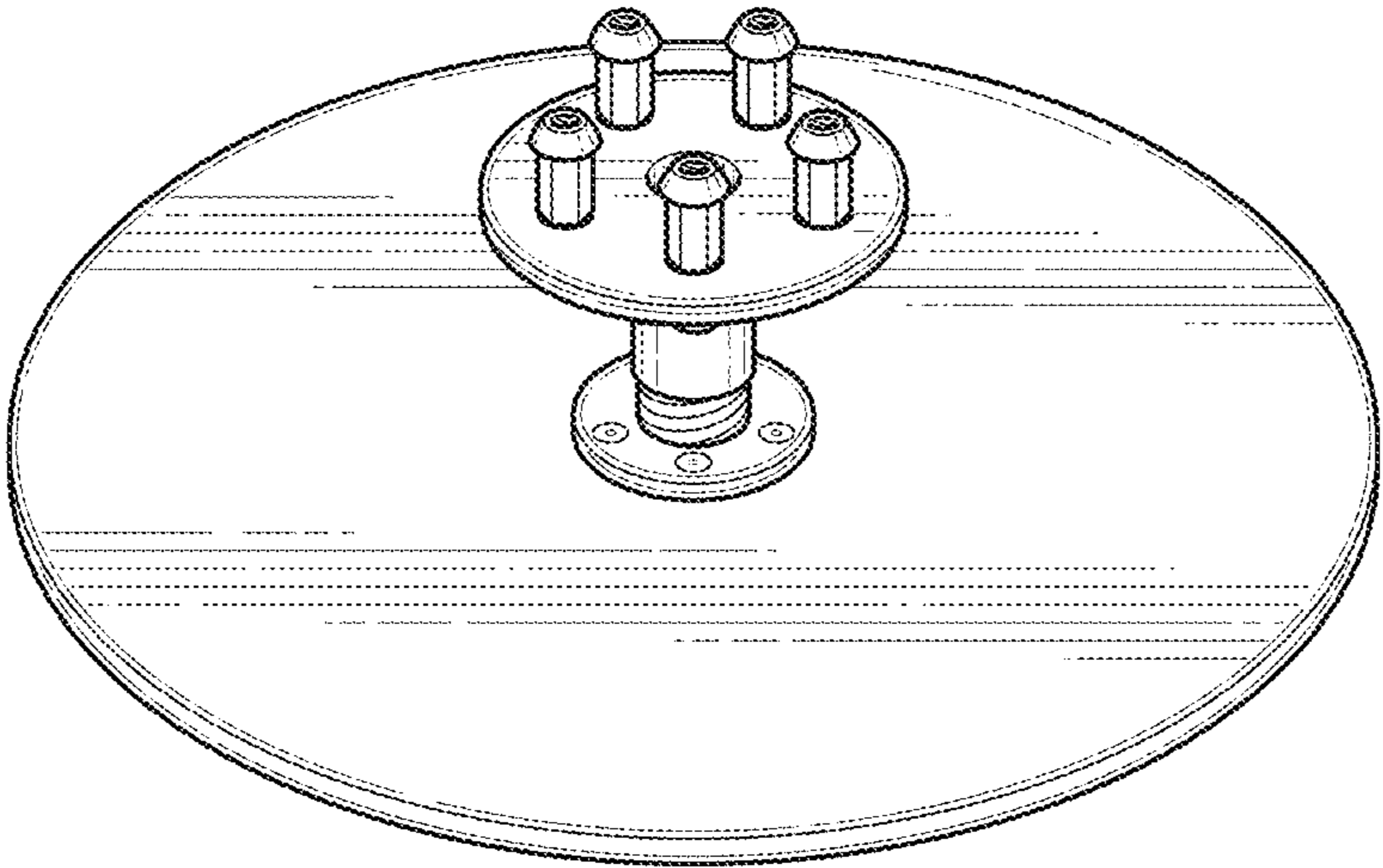


FIG. 8