

US00D867960S

(12) **United States Design Patent**
Aslam

(10) **Patent No.:** **US D867,960 S**

(45) **Date of Patent:** **** Nov. 26, 2019**

(54) **VEHICLE WHEEL**

(71) Applicant: **USA Wheel and Tire Outlet, Inc.,**
Mesquite, TX (US)

(72) Inventor: **Nadeem Aslam,** Mesquite, TX (US)

(73) Assignee: **USA Wheel and Tire Outlet, Inc.,**
Mesquite, TX (US)

(**) Term: **15 Years**

(21) Appl. No.: **29/668,189**

(22) Filed: **Oct. 29, 2018**

(51) **LOC (12) Cl.** **12-16**

(52) **U.S. Cl.**
USPC **D12/209**

(58) **Field of Classification Search**
USPC D12/204–213
CPC B60B 7/00; B60B 7/02; B60B 7/04; B60B
7/01; B60B 7/06; B60B 3/02; B60B 3/04;
B60B 3/06; B60B 3/10; B60B 1/00;
B60B 1/08; B60B 1/10; B60B 1/12
See application file for complete search history.

(56) **References Cited**

U.S. PATENT DOCUMENTS

D706,702 S	*	6/2014	Chung	D12/211
D726,630 S	*	4/2015	Kong	D12/211
D731,946 S	*	6/2015	Chung	D12/211
D733,025 S	*	6/2015	Chung	D12/204
D764,375 S	*	8/2016	Chung	D12/211
D766,805 S	*	9/2016	Chung	D12/211

D769,785 S	*	10/2016	Wells	D12/211
D782,955 S	*	4/2017	Zhao	D12/211
D787,407 S	*	5/2017	Chung	D12/211
D791,675 S	*	7/2017	Guo	D12/211
D793,942 S	*	8/2017	Factor	D12/211
D794,532 S	*	8/2017	Zhao	D12/211
D803,129 S	*	11/2017	McMath	D12/209
D803,753 S	*	11/2017	Zhao	D12/211
D805,455 S	*	12/2017	Kong	D12/209
D806,630 S	*	1/2018	McMath	D12/211
D830,274 S		10/2018	Aslam		
D830,278 S		10/2018	Aslam		
D830,942 S		10/2018	Aslam		
D840,892 S	*	2/2019	Chung	D12/209
D840,899 S	*	2/2019	Chung	D12/211
D842,184 S	*	3/2019	Chung	D12/209
D847,721 S	*	5/2019	Chung	D12/211
D852,111 S	*	6/2019	Kong	D12/211

* cited by examiner

Primary Examiner — Stacia A Cadmus

(74) *Attorney, Agent, or Firm* — Sheridan Ross P.C.

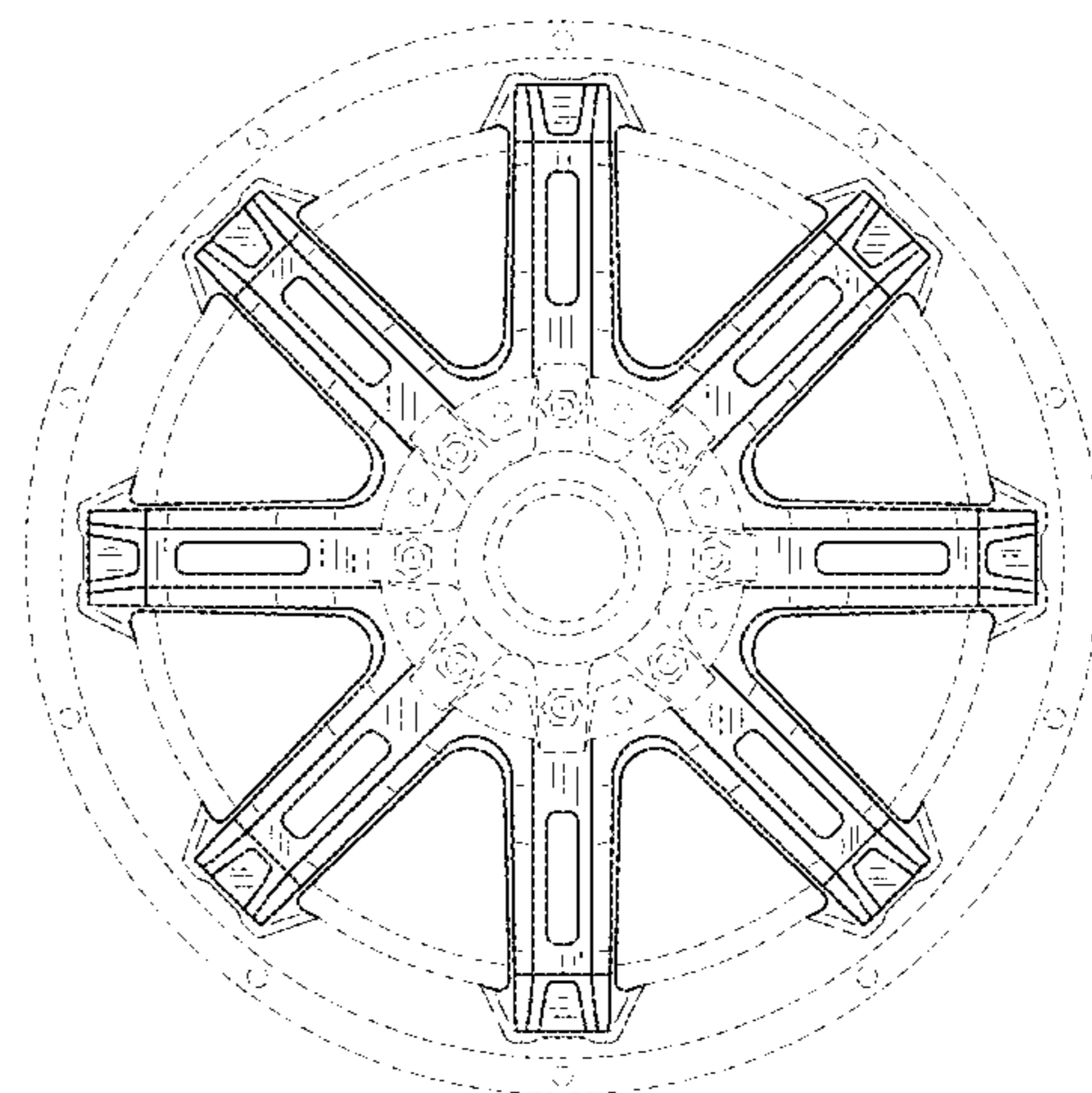
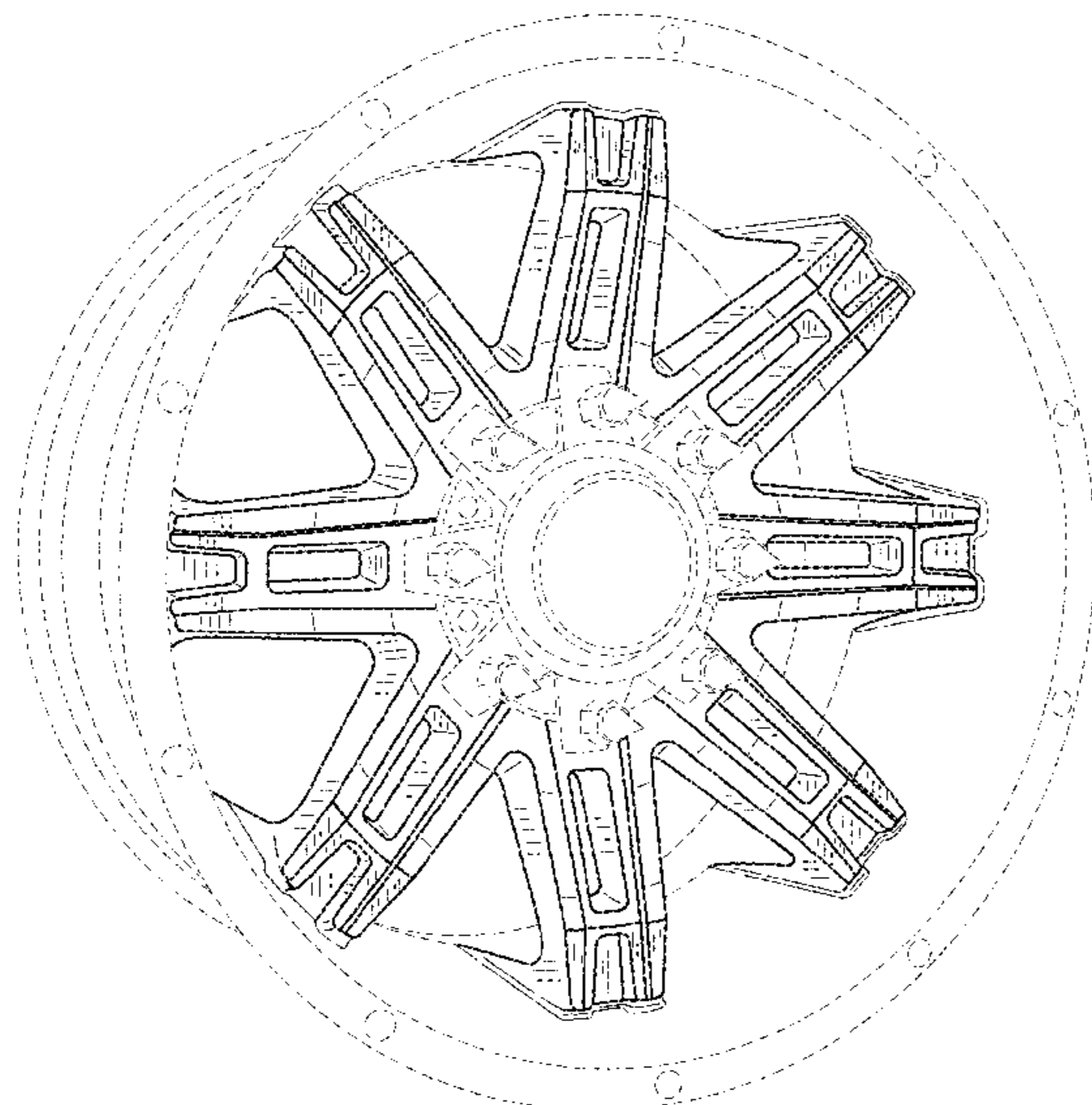
(57) **CLAIM**

The ornamental design for a vehicle wheel, as shown and described.

DESCRIPTION

FIG. 1 is a front perspective view of a vehicle wheel showing my new design; FIG. 2 is a front view thereof; and, FIG. 3 is a rear view thereof. The broken lines show portions of the vehicle wheel which form no part of the claimed design.

1 Claim, 3 Drawing Sheets



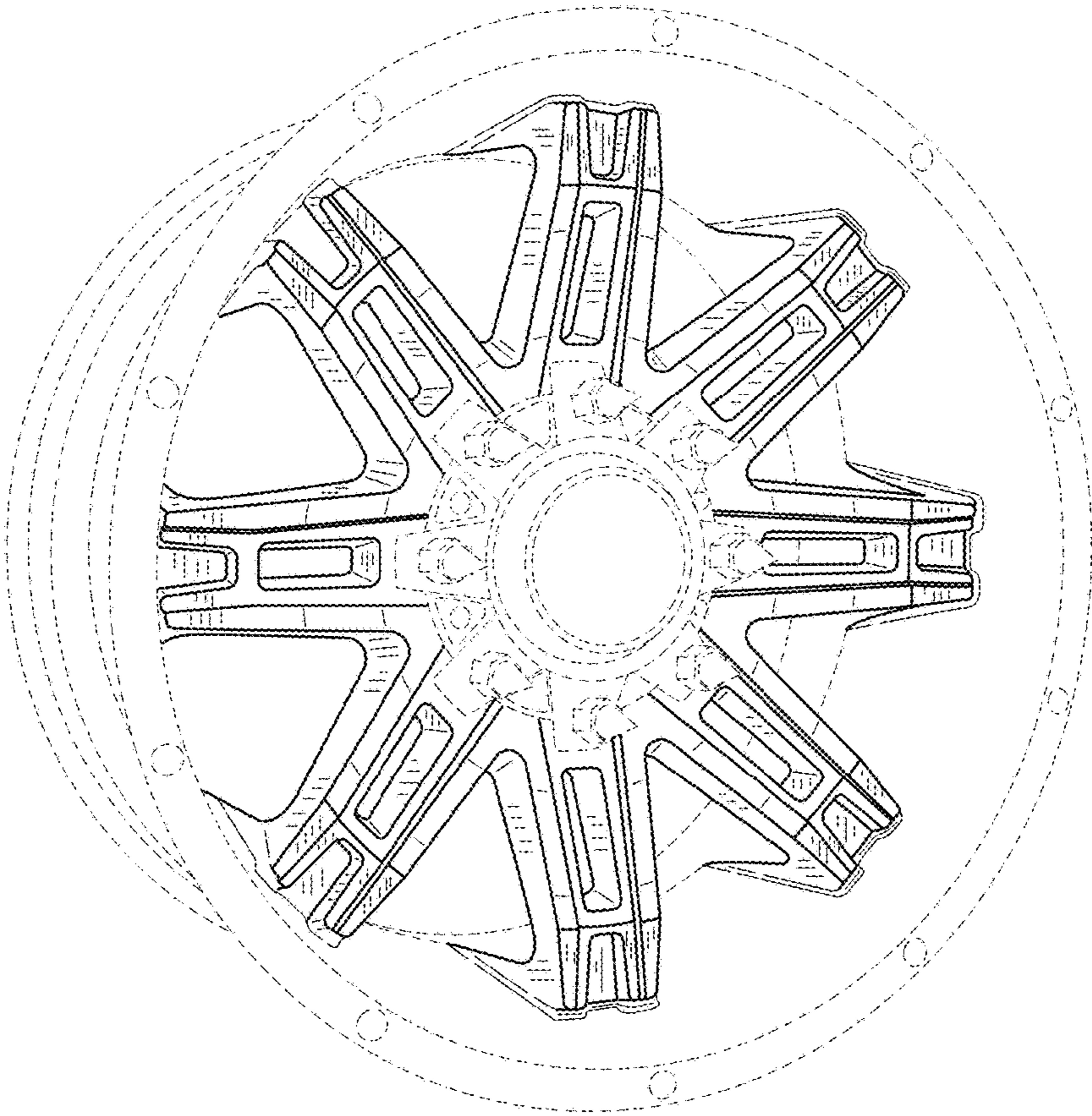


FIG.1

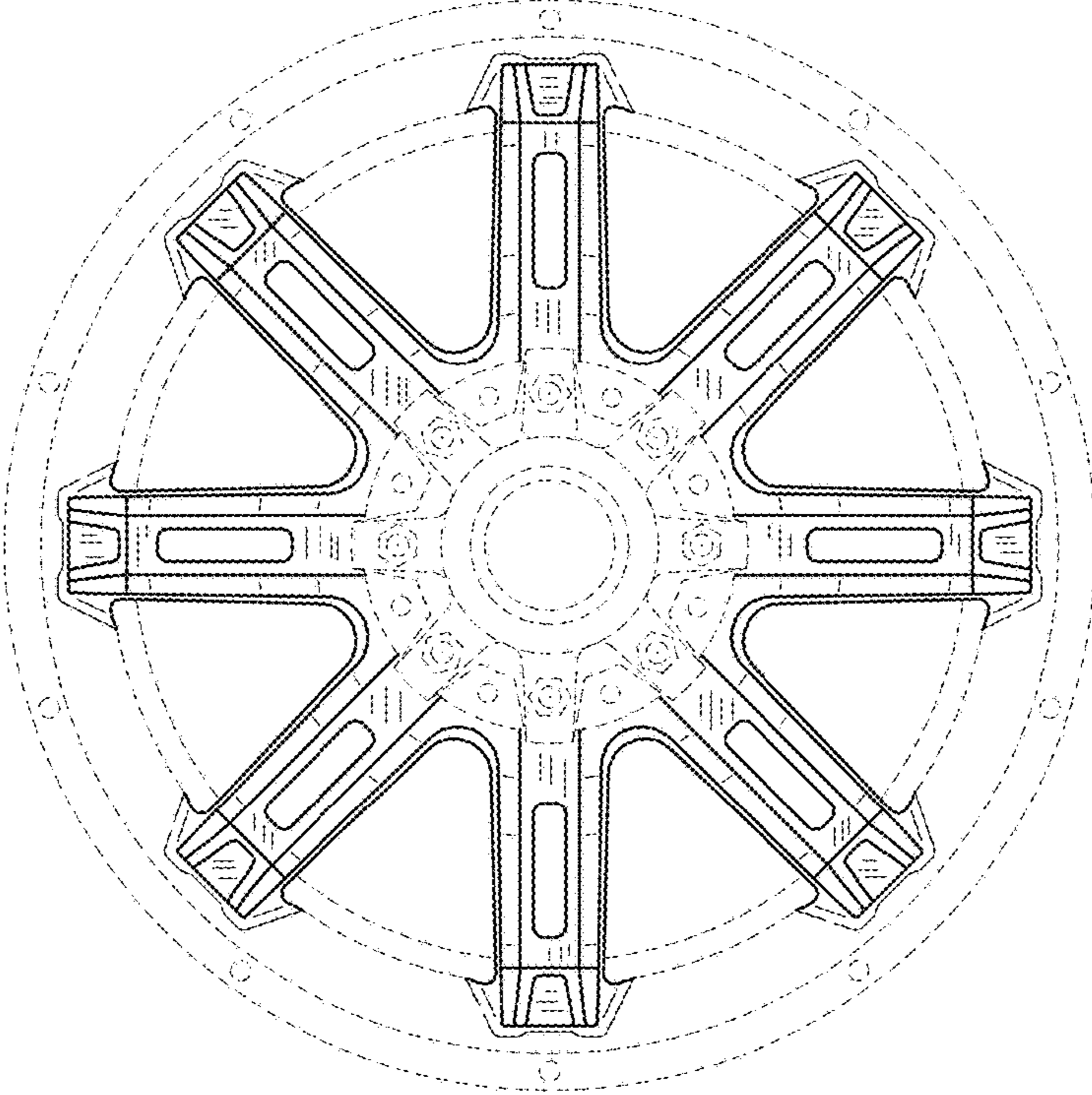


FIG.2

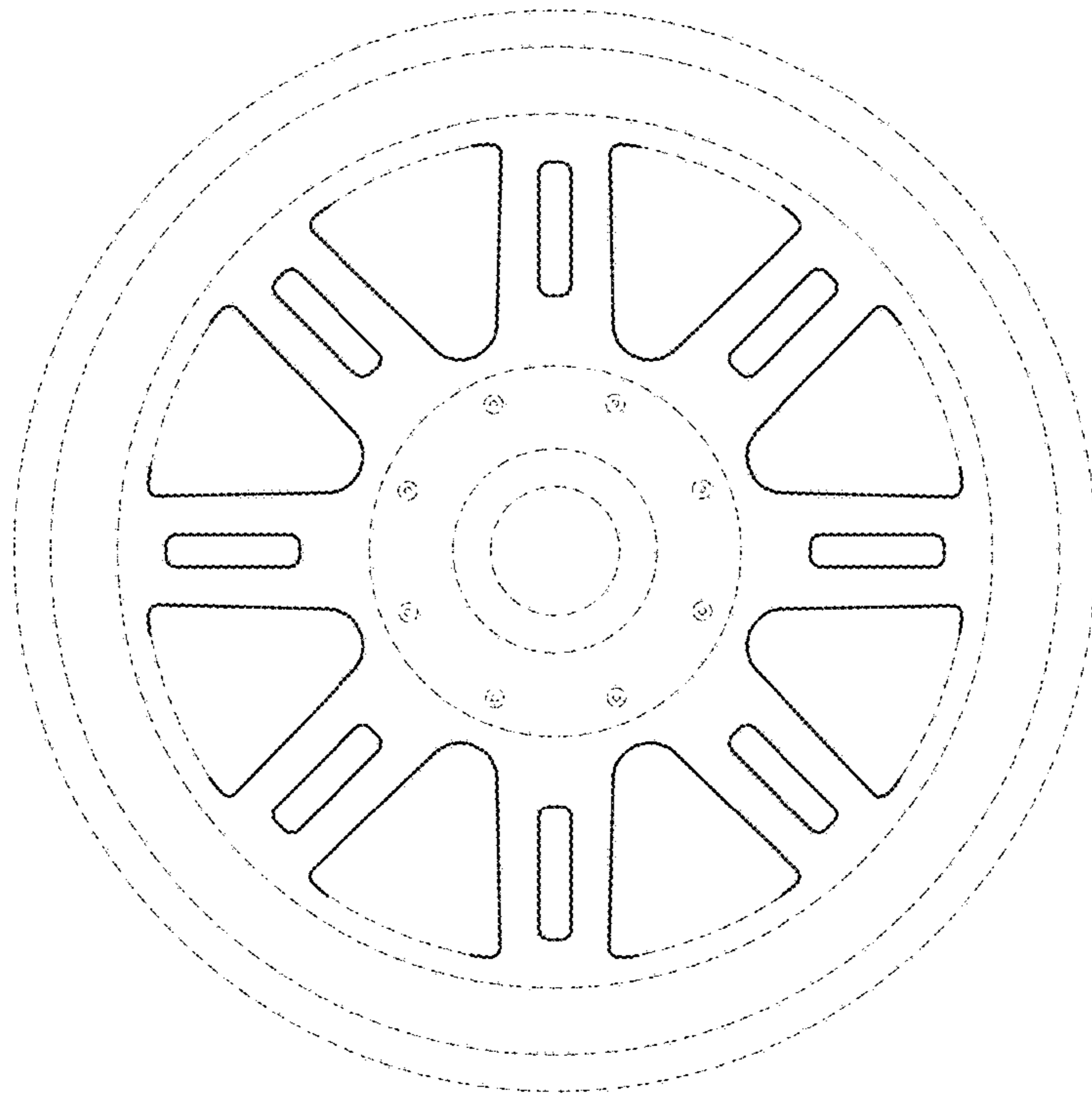


FIG.3