



US00D867955S

(12) **United States Design Patent**  
**Gregory**

(10) **Patent No.:** **US D867,955 S**

(45) **Date of Patent:** **\*\* Nov. 26, 2019**

(54) **WHEEL FOR MOTOR VEHICLE**

(71) Applicant: **Bentley Motors Limited**, Crewe (GB)

(72) Inventor: **John Paul Gregory**, Crewe (GB)

(73) Assignee: **Bentley Motors Limited**, Crewe,  
Cheshire (GB)

(\*\*) Term: **15 Years**

(21) Appl. No.: **29/638,127**

(22) Filed: **Feb. 23, 2018**

(30) **Foreign Application Priority Data**

Aug. 25, 2017 (EM) ..... 004164341

(51) **LOC (12) Cl.** ..... **12-16**

(52) **U.S. Cl.**  
USPC ..... **D12/209**

(58) **Field of Classification Search**  
USPC ..... D12/204–213  
CPC .... B60B 7/00; B60B 7/02; B60B 7/04; B60B  
7/01; B60B 7/06; B60B 3/02; B60B 3/04;  
B60B 3/06; B60B 3/10; B60B 1/00;  
B60B 1/08; B60B 1/10; B60B 1/12  
See application file for complete search history.

(56) **References Cited**

**U.S. PATENT DOCUMENTS**

D506,717 S \* 6/2005 Gallert ..... D12/209  
D580,842 S \* 11/2008 Kim ..... D12/211  
D609,623 S \* 2/2010 Gallert ..... D12/209  
D654,006 S \* 2/2012 Baum ..... D12/209  
D683,682 S \* 6/2013 Alfonso ..... D12/209  
D688,188 S \* 8/2013 Baum ..... D12/211

D715,209 S \* 10/2014 Tovey ..... D12/209  
D732,454 S \* 6/2015 Szews ..... D12/211  
D740,192 S \* 10/2015 Buck ..... D12/209  
D746,749 S \* 1/2016 Baum ..... D12/209  
D746,751 S \* 1/2016 Wheel ..... D12/209  
D748,552 S \* 2/2016 Wagener ..... D12/209  
D751,482 S \* 3/2016 Caswell ..... D12/209  
D751,486 S \* 3/2016 Reimer ..... D12/211  
D753,570 S \* 4/2016 Garbas ..... D12/211  
D764,368 S \* 8/2016 Robinson ..... D12/209  
D769,166 S \* 10/2016 Juergens ..... D12/211  
D774,434 S \* 12/2016 Nakahara ..... D12/209  
D801,905 S \* 11/2017 Rueckheim ..... D12/211  
D807,806 S \* 1/2018 Peat ..... D12/209  
D808,324 S \* 1/2018 Ninov ..... D12/211  
D839,812 S \* 2/2019 He ..... D12/209

\* cited by examiner

*Primary Examiner* — Stacia A Cadmus

(74) *Attorney, Agent, or Firm* — Schwabe Williamson &  
Wyatt, P.C.

(57) **CLAIM**

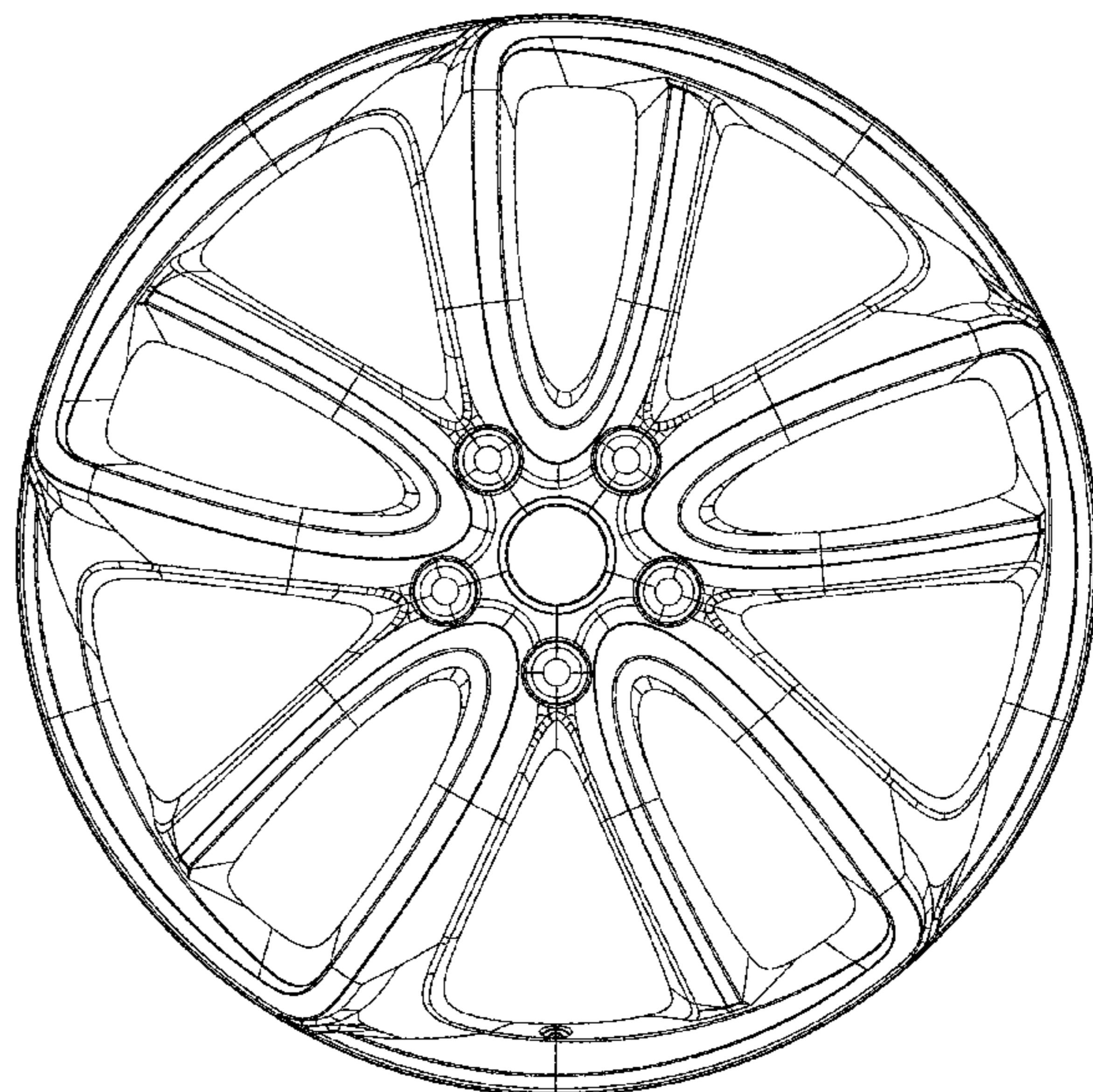
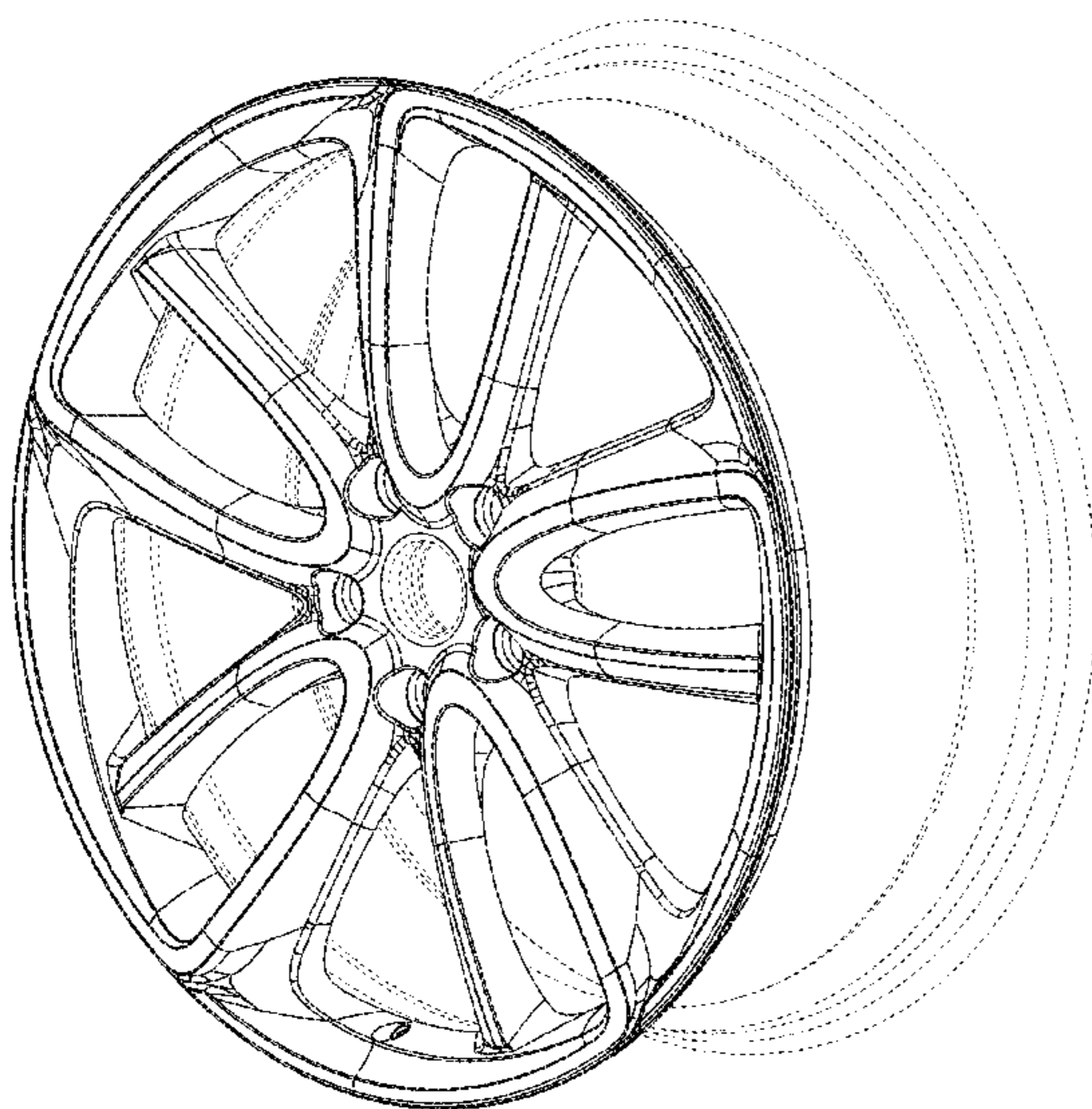
I claim the ornamental design for a wheel for motor vehicle,  
as shown and described.

**DESCRIPTION**

FIG. 1 is a perspective view of a wheel for motor vehicle,  
showing my design;  
FIG. 2 is a front view thereof; and,  
FIG. 3 is a side view thereof.

The additional views of the wheel not provided herein do not  
provide any additional claimed features of the design and  
thus are not represented. The broken lines are included for  
illustrating environmental structure and form no part of the  
claimed design.

**1 Claim, 3 Drawing Sheets**



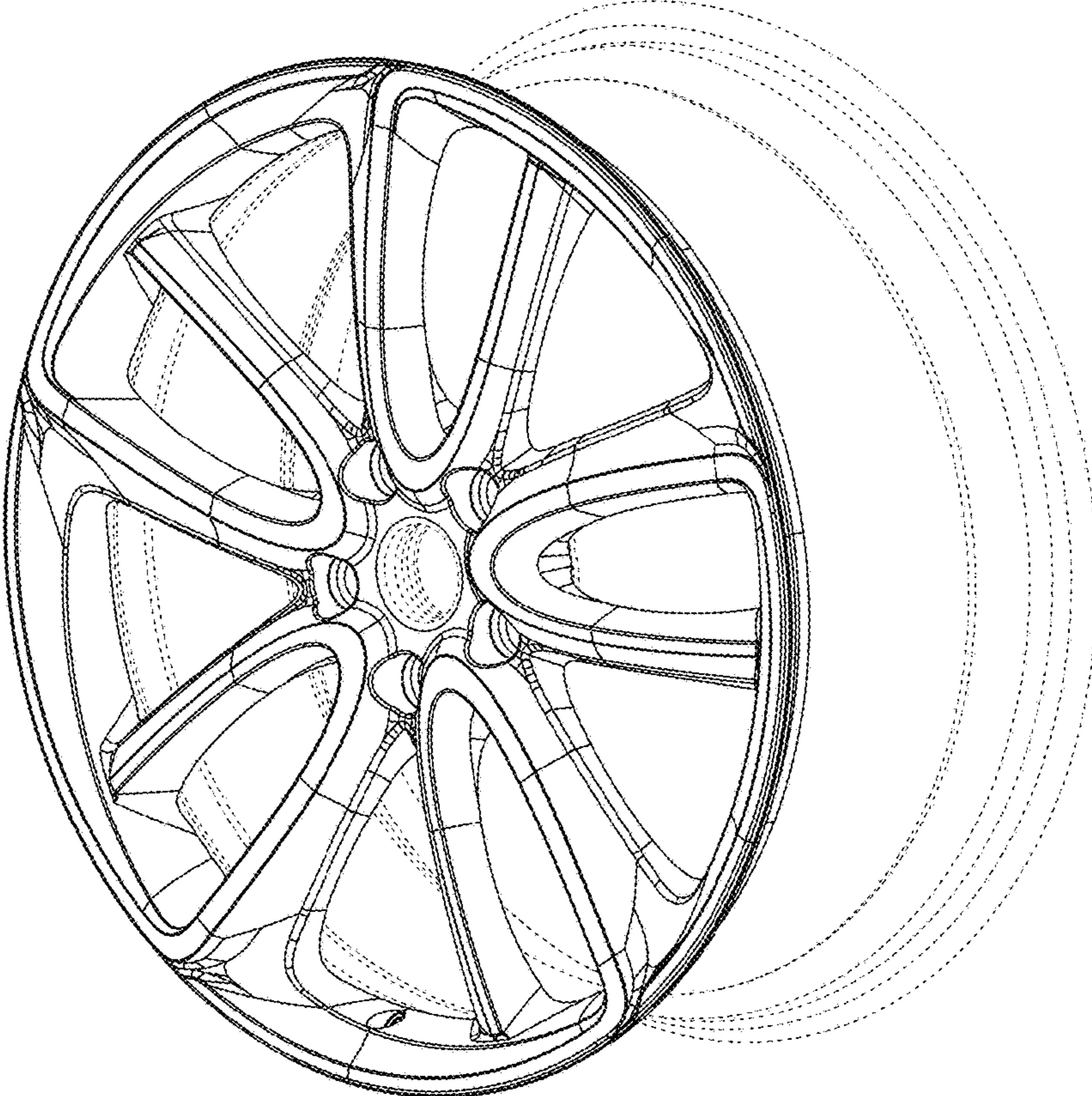


FIG. 1

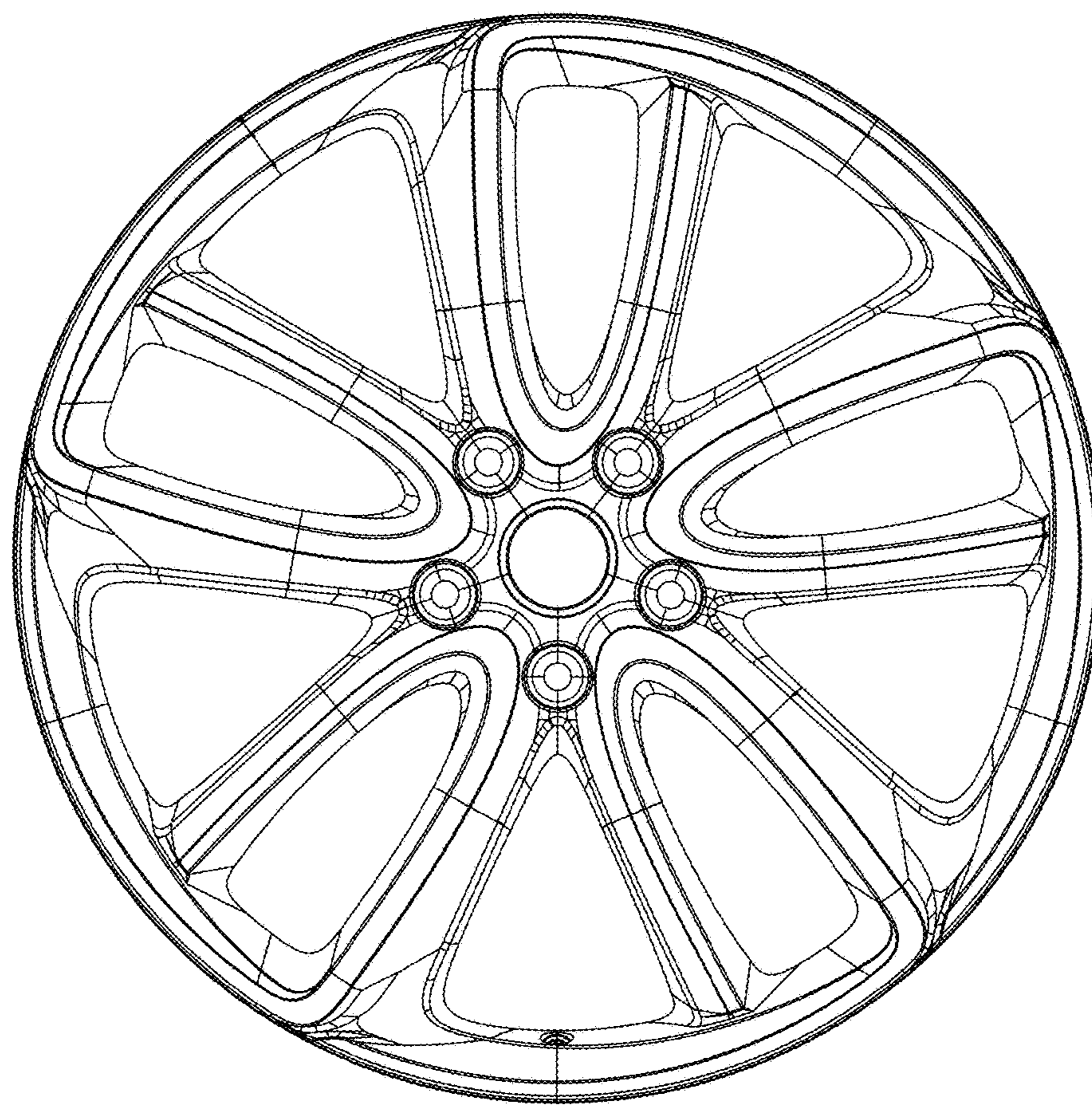


FIG. 2

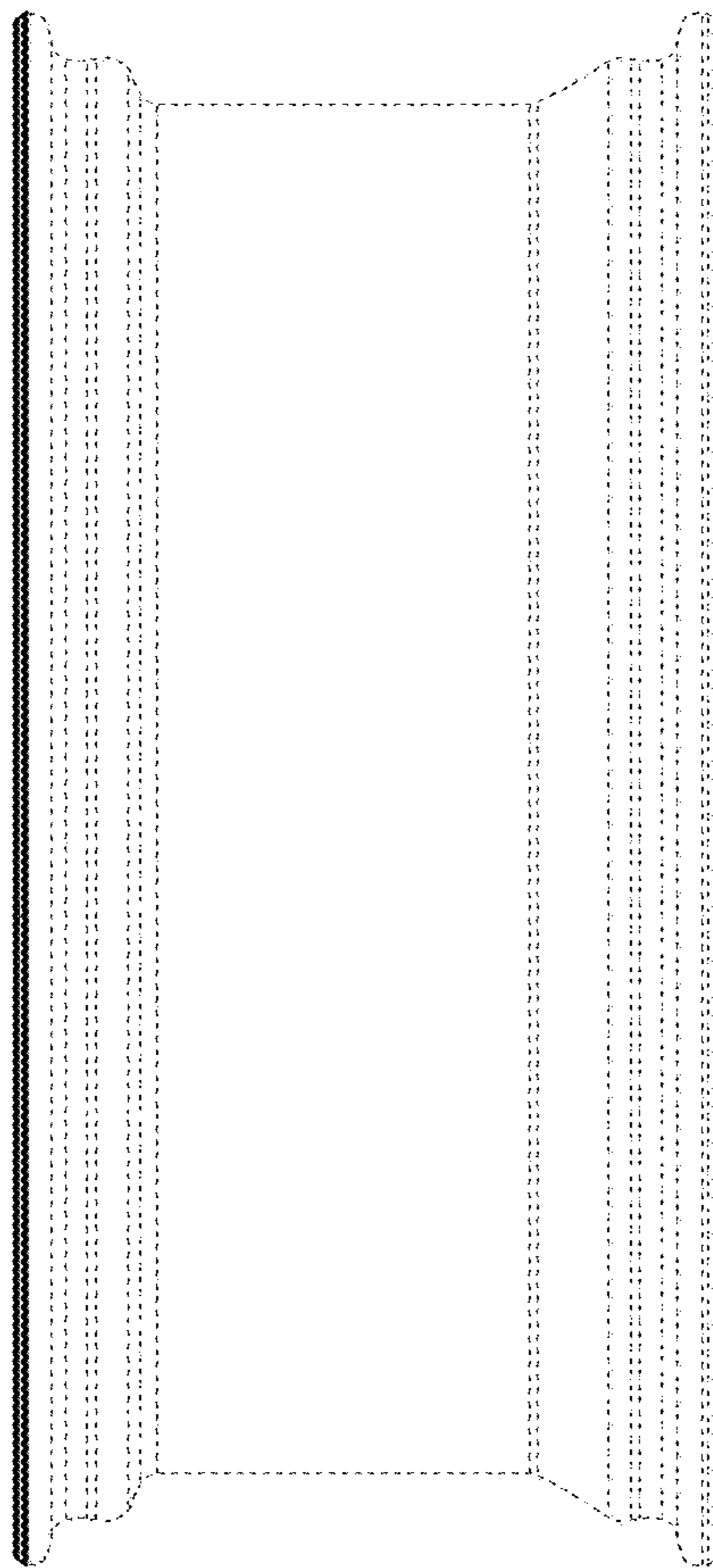


FIG. 3