



US00D867949S

(12) **United States Design Patent** (10) **Patent No.:** **US D867,949 S**
Thurber et al. (45) **Date of Patent:** **** Nov. 26, 2019**

(54) **VEHICLE DECKLID**
(71) Applicant: **GM GLOBAL TECHNOLOGY OPERATIONS LLC**, Detroit, MI (US)
(72) Inventors: **Joshua L. Thurber**, Macomb, MI (US); **Henri Kavaja**, Warren, MI (US)
(73) Assignee: **GM GLOBAL TECHNOLOGY OPERATIONS LLC**, Detroit, MI (US)
(**) Term: **15 Years**
(21) Appl. No.: **29/623,692**
(22) Filed: **Oct. 26, 2017**
(51) **LOC (12) Cl.** **12-16**
(52) **U.S. Cl.**
USPC **D12/196**
(58) **Field of Classification Search**
USPC D12/86, 90-92, 163, 169, 171, 196, 216
CPC B60R 19/02; B60R 19/03; B60R 19/04;
B62D 25/08; B62D 25/12; B60J 5/10;
B60J 5/101; B60J 5/102; B60J 5/103;
B60J 5/107
See application file for complete search history.

(56) **References Cited**
U.S. PATENT DOCUMENTS
D428,376 S * 7/2000 Sacco D12/196
D459,283 S * 6/2002 Sinkwitz D12/196
D476,936 S * 7/2003 Boyer D12/196
D514,491 S * 2/2006 Nagashima D12/196
D570,742 S 6/2008 Takagi et al.
D571,701 S * 6/2008 Sato D12/196
D581,336 S * 11/2008 Gabath D12/196
D592,105 S 5/2009 Dean et al.
D592,577 S * 5/2009 Lamm D12/196
D597,447 S 8/2009 Folden
D600,595 S 9/2009 Nakamura et al.
D601,925 S 10/2009 O'Donnell

D603,755 S 11/2009 Peters
D604,203 S 11/2009 O'Donnell
D605,082 S 12/2009 Munson
D605,083 S 12/2009 Manoogian, II et al.
D605,977 S 12/2009 Zipfel et al.
D605,978 S 12/2009 Wolff et al.
D608,249 S 1/2010 Peters
D608,690 S 1/2010 Folden et al.
D608,691 S 1/2010 Zak, Jr. et al.
D609,608 S 2/2010 Boniface et al.
D611,387 S 3/2010 Thompson et al.
D611,879 S 3/2010 Kim et al.
D612,297 S 3/2010 Peters et al.
D613,645 S 4/2010 Song et al.
D615,458 S 5/2010 Thompson et al.
D618,595 S 6/2010 Ware et al.
D620,860 S * 8/2010 Froehlich D12/196
D623,090 S 9/2010 Cox et al.
(Continued)

OTHER PUBLICATIONS

2018 Cadillac CT-6 Plug In <https://web.archive.org/web/20180405112008/http://www.cadillac.com/plug-in-hybrids/ct6-plug-in> Apr. 5, 2018 (Year: 2018).*
(Continued)

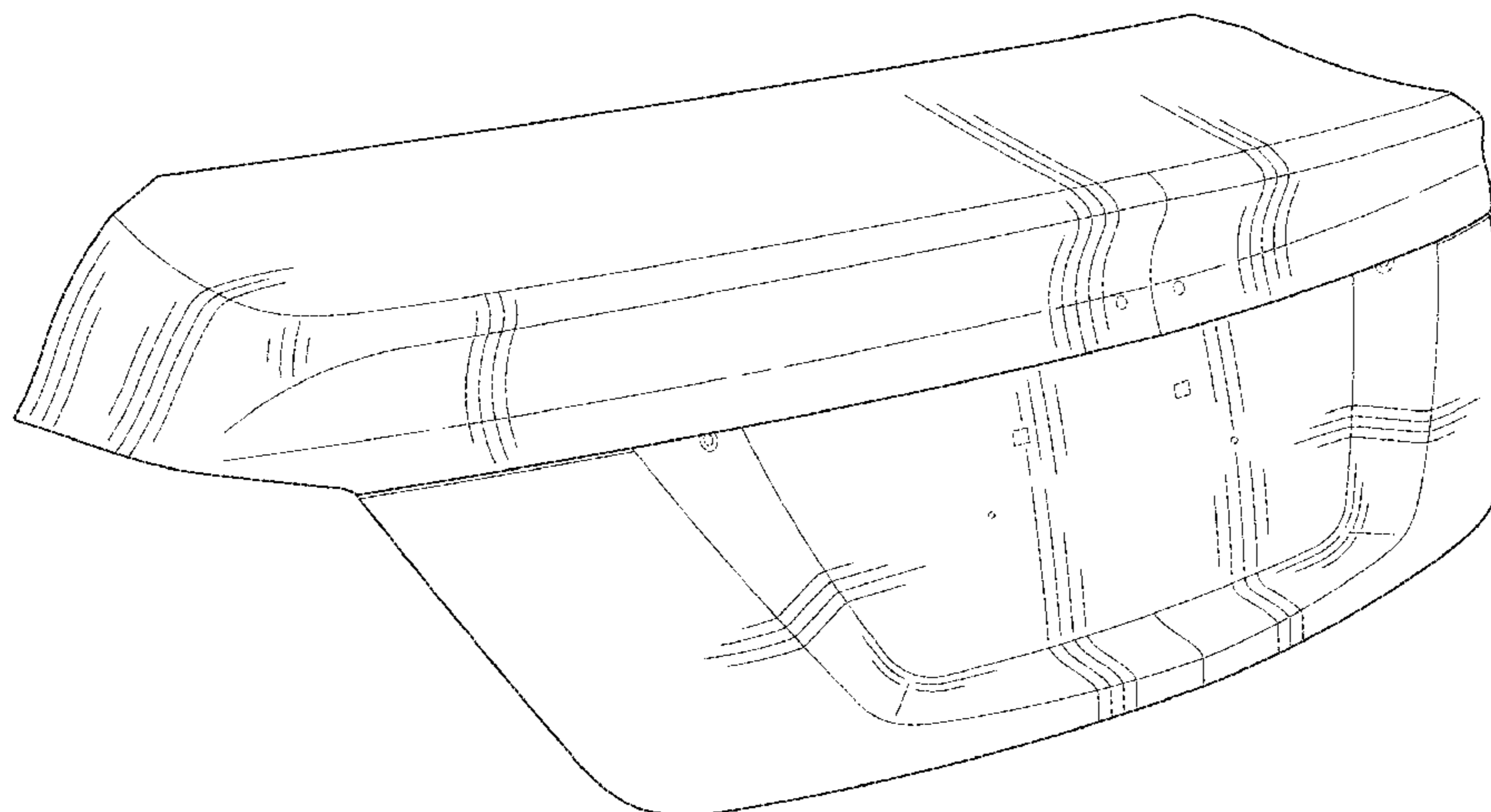
Primary Examiner — Leanne Was-Englehart

(57) **CLAIM**
The ornamental design for a vehicle decklid, as shown and described.

DESCRIPTION

FIG. 1 is a perspective view of the vehicle decklid;
FIG. 2 is a front view thereof;
FIG. 3 is a leftside view thereof (where the rightside view is a mirror image of the leftside view); and,
FIG. 4 is a top view thereof.
The broken lines in the drawings illustrate portions of the vehicle decklid that form no part of the claimed design.

1 Claim, 3 Drawing Sheets



(56)

References Cited

U.S. PATENT DOCUMENTS

D627,262 S	11/2010	Ikeda et al.		D747,515 S	1/2016	McMahan et al.
D635,488 S	4/2011	Phipps		D747,819 S	1/2016	Thole et al.
D644,147 S	8/2011	Suh et al.		D749,021 S	2/2016	Boniface et al.
D644,567 S	9/2011	Kozub		D749,026 S	2/2016	Smith et al.
D657,718 S	4/2012	Zipfel et al.		D749,027 S	2/2016	McMahan et al.
D659,052 S	5/2012	Ware et al.		D749,246 S	2/2016	Thole et al.
D659,053 S	5/2012	Ware et al.		D749,249 S	2/2016	Thole et al.
D663,666 S *	7/2012	Matsumoto	D12/196	D749,250 S	2/2016	Thole et al.
D668,182 S	10/2012	Barba Franco et al.		D749,985 S	2/2016	Kozub et al.
D668,183 S	10/2012	Smart		D749,997 S	2/2016	McMahan et al.
D676,793 S *	2/2013	Yamada	D12/196	D750,001 S	2/2016	Thole et al.
D678,820 S	3/2013	Son et al.		D753,032 S	4/2016	Smith et al.
D678,821 S	3/2013	Ikeda et al.		D753,033 S	4/2016	Thole et al.
D679,643 S *	4/2013	Karras	D12/196	D753,034 S	4/2016	Thole et al.
D680,909 S	4/2013	Munson et al.		D753,035 S	4/2016	Boniface et al.
D680,910 S	4/2013	David		D753,559 S	4/2016	McMahan et al.
D684,899 S	6/2013	Baker		D753,560 S	4/2016	McMahan et al.
D686,127 S *	7/2013	Munson	D12/196	D753,567 S	4/2016	Boniface et al.
D686,536 S	7/2013	McCabe et al.		D754,571 S	4/2016	Boniface et al.
D692,798 S	11/2013	Thurber		D754,572 S	4/2016	McMahan et al.
D692,799 S	11/2013	Smith et al.		D755,088 S	5/2016	McMahan et al.
D696,157 S	12/2013	Loeb		D756,869 S	5/2016	McMahan et al.
D699,629 S	2/2014	Ikeda et al.		D758,271 S	6/2016	McMahan et al.
D700,871 S	3/2014	O'Donnell et al.		D764,975 S	8/2016	Aengenheyster
D703,103 S	4/2014	Lee		D764,976 S	8/2016	Aengenheyster
D704,103 S	5/2014	Mack et al.		D764,996 S *	8/2016	Lee
D705,132 S	5/2014	Ware et al.		D767,449 S	9/2016	Pevovar et al.
D705,699 S	5/2014	Ware et al.		D767,450 S	9/2016	Lee et al.
D713,298 S	9/2014	Dyson		D767,451 S	9/2016	Kozub et al.
D713,764 S	9/2014	Ferlazzo et al.		D767,454 S	9/2016	McMahan et al.
D716,696 S	11/2014	Thole et al.		D767,458 S	9/2016	Kim
D716,706 S	11/2014	Thole et al.		D767,459 S *	9/2016	Kim
D716,709 S	11/2014	Thole et al.		D767,460 S	9/2016	Kozub et al.
D717,696 S	11/2014	Thole et al.		D767,461 S	9/2016	Kozub et al.
D718,189 S	11/2014	Krieg et al.		D771,528 S	11/2016	Smith et al.
D718,683 S	12/2014	Thole et al.		D771,529 S	11/2016	Thole et al.
D722,282 S	2/2015	Loeb		D771,532 S	11/2016	Kapitonov
D722,533 S	2/2015	Thole et al.		D771,533 S	11/2016	Kapitonov
D722,534 S	2/2015	Munson et al.		D772,766 S	11/2016	Kozub et al.
D724,510 S	3/2015	McMahan et al.		D772,767 S	11/2016	Kim
D725,001 S	3/2015	McMahan et al.		D773,084 S	11/2016	Kapitonov
D726,591 S	4/2015	Jacob		D773,086 S	11/2016	McCabe et al.
D730,776 S	6/2015	Smart		D774,226 S	12/2016	McCabe et al.
D730,783 S	6/2015	Henriques et al.		D775,003 S	12/2016	Pevovar et al.
D732,427 S	6/2015	Loeb		D775,007 S	12/2016	Thole et al.
D732,429 S	6/2015	Loeb		D775,010 S	12/2016	Kim et al.
D732,430 S	6/2015	Loeb		D775,049 S	12/2016	Scheer et al.
D732,431 S	6/2015	Loeb		D775,549 S	1/2017	Karras
D732,432 S	6/2015	Aengenheyster		D775,554 S	1/2017	Kapitonov
D732,433 S	6/2015	Aengenheyster		D776,020 S	1/2017	Kapitonov
D732,435 S	6/2015	Mackay		D776,581 S	1/2017	Pevovar et al.
D733,002 S	6/2015	Loeb		D776,583 S	1/2017	Scheer et al.
D735,611 S	8/2015	Aengenheyster		D776,841 S	1/2017	Kozub et al.
D735,627 S	8/2015	Smith		D776,843 S	1/2017	McCabe et al.
D736,451 S	8/2015	Smith		D776,846 S	1/2017	Willett et al.
D739,306 S	9/2015	McMahan et al.		D777,359 S	1/2017	Kozub et al.
D739,317 S	9/2015	McMahan et al.		D777,360 S	1/2017	Kozub et al.
D741,223 S	10/2015	Kim et al.		D777,361 S	1/2017	Kozub et al.
D743,309 S	11/2015	Thole et al.		D777,604 S	1/2017	McNerney
D743,313 S *	11/2015	Smith	D12/196	D777,605 S	1/2017	Ferlazzo et al.
D743,314 S	11/2015	Thole et al.		D777,620 S	1/2017	Pevovar et al.
D743,857 S	11/2015	McMahan et al.		D777,621 S	1/2017	Kim
D744,158 S	11/2015	Willett et al.		D777,622 S	1/2017	Kozub et al.
D745,086 S	12/2015	Finos et al.		D777,628 S	1/2017	Kozub et al.
D745,719 S	12/2015	Boniface et al.		D777,955 S	1/2017	Willett et al.
D745,725 S	12/2015	McMahan et al.		D778,212 S	2/2017	Kozub et al.
D745,726 S	12/2015	McMahan et al.		D778,215 S	2/2017	Kozub et al.
D745,837 S	12/2015	Smith et al.		D780,064 S	2/2017	Smith et al.
D746,206 S *	12/2015	Duff	D12/196	D780,067 S	2/2017	Zipfel et al.
D746,726 S	1/2016	Smith et al.		D780,068 S	2/2017	Whitla et al.
D746,727 S	1/2016	Smith et al.		D780,077 S	2/2017	Kim et al.
D746,728 S	1/2016	Smith et al.		D780,081 S	2/2017	Lee
D746,729 S	1/2016	Boniface et al.		D780,084 S	2/2017	Scheer et al.
D746,730 S	1/2016	Kim et al.		D780,631 S	3/2017	Kozub et al.
D747,514 S	1/2016	McMahan et al.		D780,644 S	3/2017	Kim et al.
				D781,184 S	3/2017	Thole et al.
				D781,192 S	3/2017	Kozub et al.
				D782,379 S	3/2017	Wassell
				D783,482 S	4/2017	Smith et al.

(56)

References Cited

U.S. PATENT DOCUMENTS

D784,213 S 4/2017 Karras
 D784,223 S 4/2017 Lee
 D784,226 S 4/2017 Cheng
 D784,579 S 4/2017 Cheng et al.
 D784,877 S 4/2017 Lee
 D784,885 S * 4/2017 Curic D12/196
 D784,886 S 4/2017 Smith et al.
 D785,521 S 5/2017 Smith et al.
 D785,532 S * 5/2017 Park D12/196
 D786,149 S 5/2017 Pevovar et al.
 D786,743 S 5/2017 Smith et al.
 D786,750 S 5/2017 Lee
 D787,446 S 5/2017 Cockerill
 D787,984 S 5/2017 Fang
 D787,988 S 5/2017 Lee
 D787,989 S 5/2017 Kozub et al.
 D787,990 S 5/2017 Kozub et al.
 D787,992 S 5/2017 Lee
 D787,993 S 5/2017 McCabe et al.
 D788,001 S 5/2017 Lee
 D788,641 S 6/2017 Arnold
 D788,644 S 6/2017 Mueller
 D788,645 S 6/2017 Mueller
 D789,250 S 6/2017 Arnold
 D789,260 S 6/2017 Smith
 D789,575 S 6/2017 Willett
 D789,841 S 6/2017 Lee
 D789,849 S 6/2017 Lee
 D791,018 S 7/2017 Mylenek
 D791,644 S 7/2017 Fang
 D792,290 S 7/2017 Smith et al.
 D792,293 S 7/2017 McCabe et al.
 D792,294 S 7/2017 McCabe et al.
 D792,295 S 7/2017 McCabe et al.
 D792,815 S 7/2017 Kozub
 D792,816 S 7/2017 Kozub
 D793,290 S 8/2017 Kozub
 D793,292 S 8/2017 Lee
 D793,293 S 8/2017 Lee et al.
 D793,294 S 8/2017 Lee
 D793,295 S 8/2017 McCabe et al.
 D793,296 S 8/2017 Smith et al.
 D793,297 S 8/2017 Smith et al.
 D793,299 S 8/2017 Krieg et al.
 D793,300 S 8/2017 Krieg et al.
 D793,301 S 8/2017 Kozub
 D793,302 S 8/2017 Kozub
 D793,311 S 8/2017 Whitla et al.

D793,590 S 8/2017 Kozub et al.
 D793,591 S 8/2017 Kozub et al.
 D793,917 S 8/2017 Kozub
 D793,918 S 8/2017 Kozub
 D794,229 S 8/2017 Barry
 D794,230 S 8/2017 Kozub
 D795,747 S 8/2017 Bailie
 D795,757 S 8/2017 Pevovar et al.
 D795,758 S 8/2017 Karras
 D795,759 S 8/2017 Kozub et al.
 D795,760 S 8/2017 Kozub et al.
 D795,762 S 8/2017 Lee
 D795,763 S 8/2017 Kozub
 D796,088 S 8/2017 McCabe et al.
 D796,093 S 8/2017 Mainville
 D796,390 S 9/2017 Pevovar et al.
 D797,537 S 9/2017 Cooper et al.
 D797,603 S 9/2017 Noone et al.
 D797,614 S 9/2017 Lee
 D797,616 S 9/2017 Lee
 D797,624 S 9/2017 Nakamura
 D797,625 S 9/2017 Perkins
 D797,631 S * 9/2017 Pevovar D12/196
 D797,632 S 9/2017 Zipfel et al.
 D797,967 S 9/2017 Barry
 D797,970 S 9/2017 Mainville
 D797,971 S 9/2017 Mainville
 D797,972 S 9/2017 Whitla et al.
 D798,204 S 9/2017 Mainville
 D799,384 S 10/2017 Kozub et al.
 D799,385 S 10/2017 Kozub et al.
 D799,386 S 10/2017 Kozub et al.
 D799,728 S 10/2017 Whitla et al.
 D804,384 S * 12/2017 Park D12/196
 D818,922 S * 5/2018 Whitla D12/196
 D823,211 S * 7/2018 Lim D12/196
 D823,762 S * 7/2018 Loeb D12/196
 D825,421 S * 8/2018 Kim D12/196
 D829,625 S * 10/2018 Kim D12/196
 D831,553 S * 10/2018 Ojea D12/196
 D835,557 S * 12/2018 Whitla D12/196
 D839,163 S * 1/2019 Pinazzo D12/196
 D839,168 S * 1/2019 Cho D12/196

OTHER PUBLICATIONS

2018 Cadillac CT-6 Plug-In YouTube <https://www.youtube.com/watch?v=yPMUHAYHN4Q&feature=youtu.be> Jul. 25, 2017 (Year: 2017).*

* cited by examiner

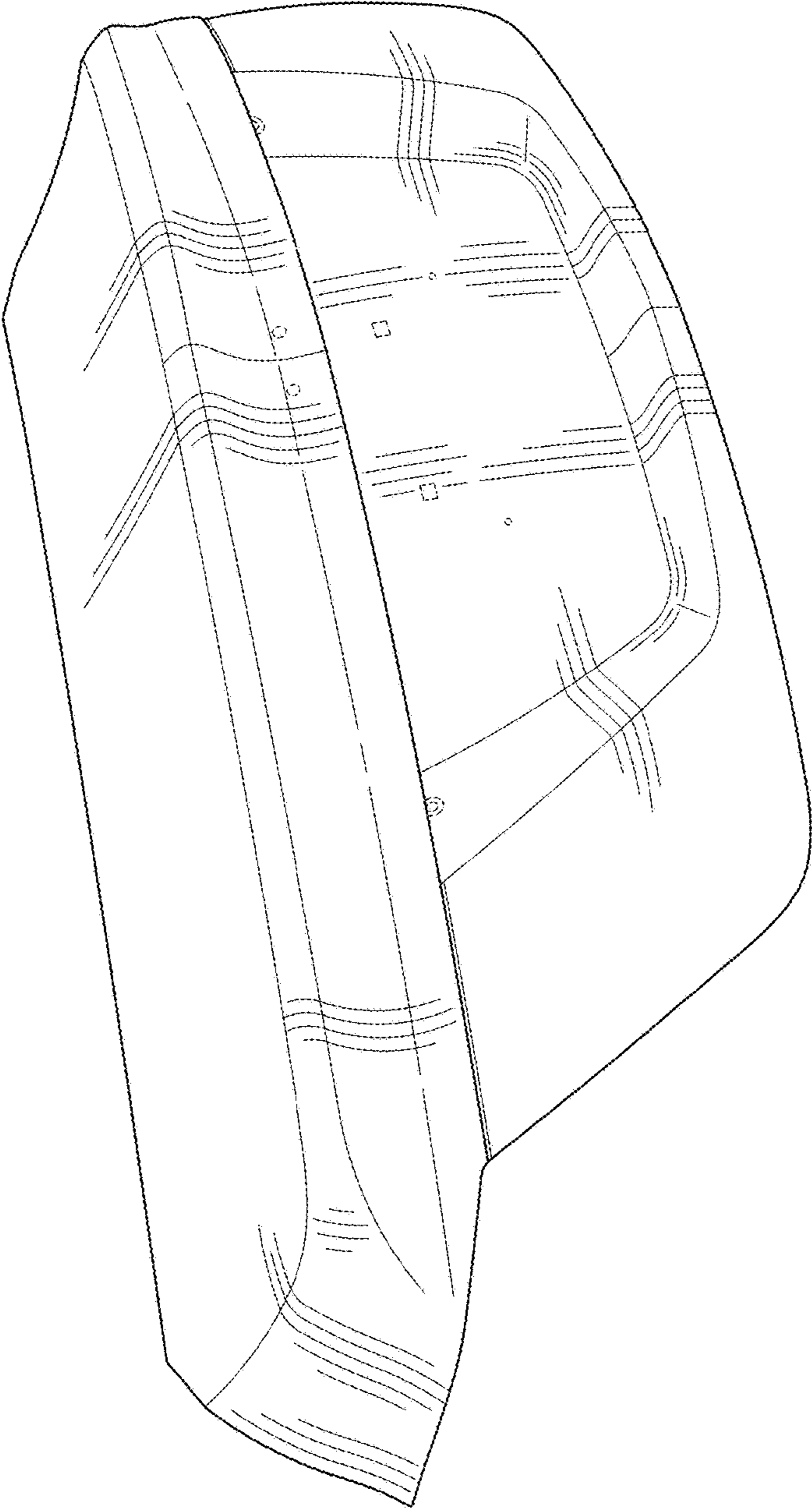


FIG. 1

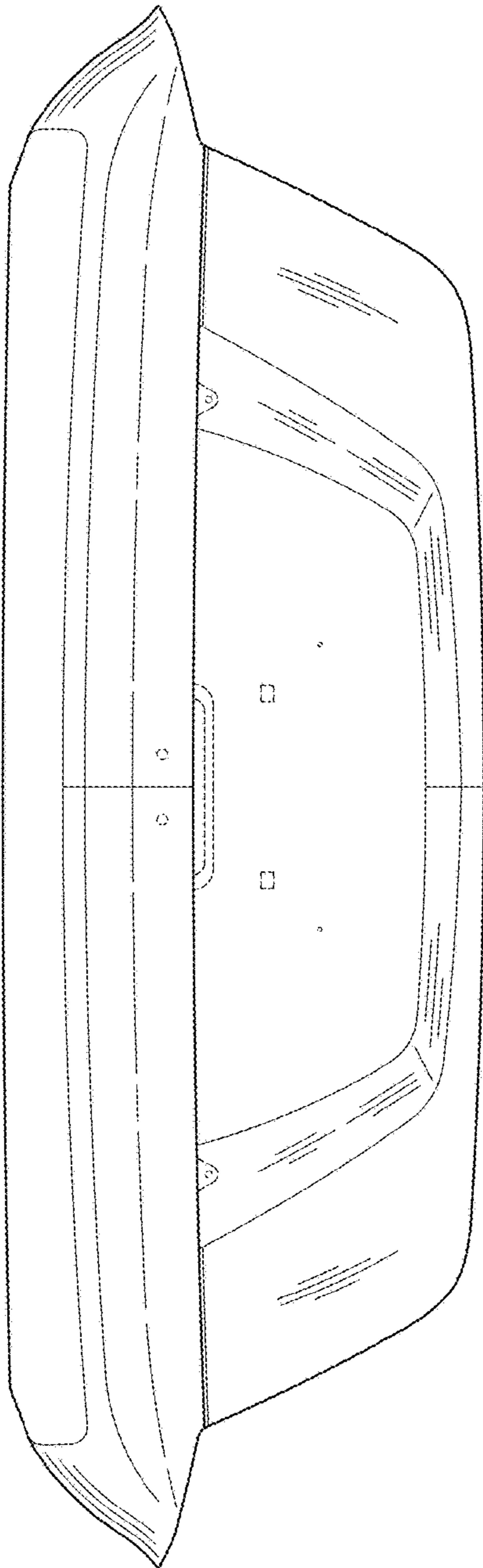


FIG. 2

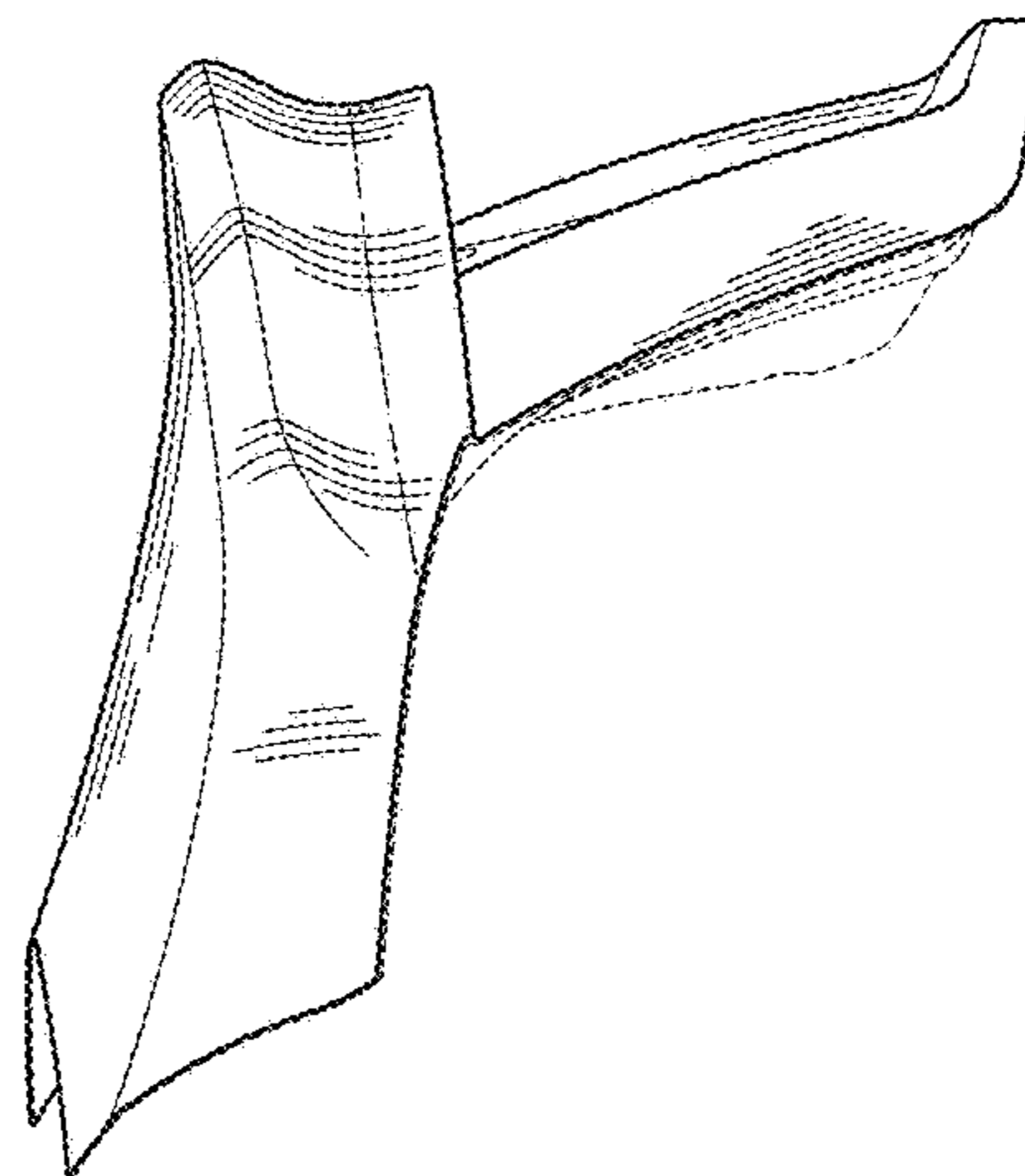


FIG. 3

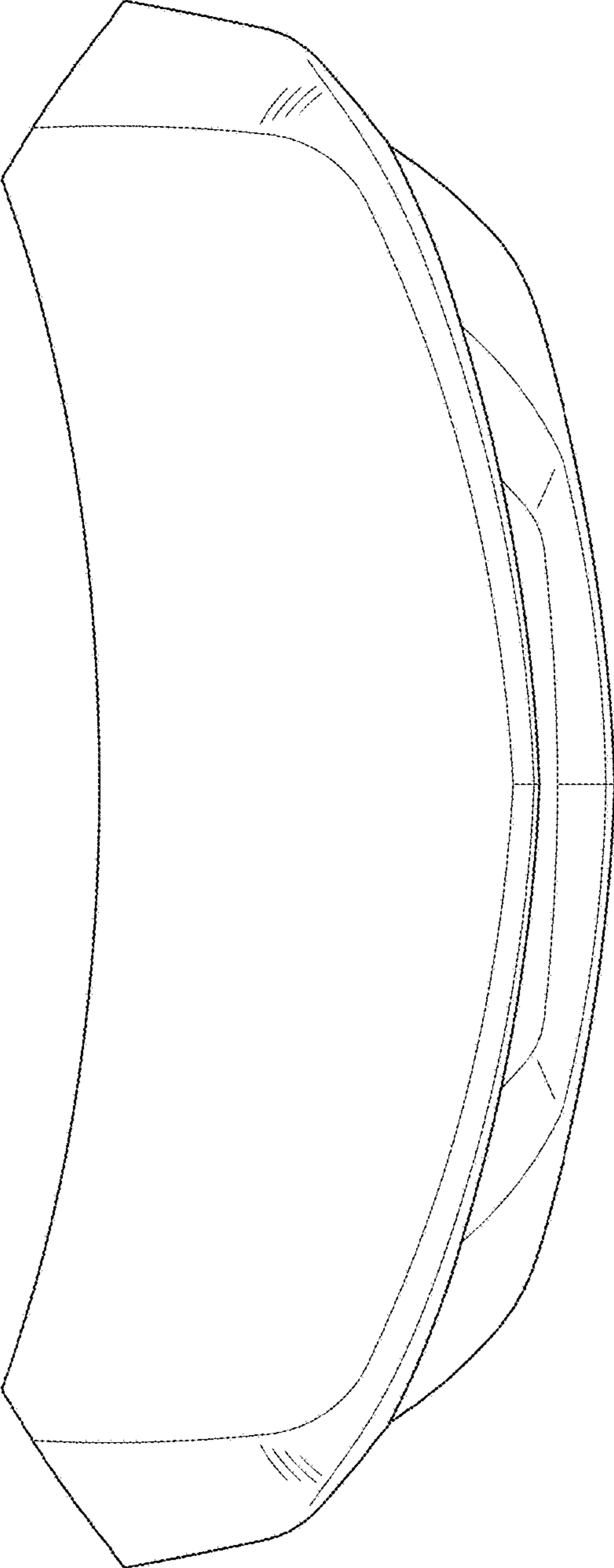


FIG. 4