



US00D867942S

(12) **United States Design Patent** (10) **Patent No.:** **US D867,942 S**  
**Mikhailov** (45) **Date of Patent:** **\*\* Nov. 26, 2019**

(54) **OFF-ROAD VEHICLE FRONT FASCIA**  
(71) Applicant: **BOMBARDIER RECREATIONAL PRODUCTS INC., Valcourt (CA)**  
(72) Inventor: **Alexei Mikhailov, Bromont (CA)**  
(73) Assignee: **BOMBARDIER RECREATIONAL PRODUCTS INC., Valcourt (CA)**  
(\*\*) Term: **15 Years**

D622,631 S 8/2010 Lai et al.  
D631,395 S \* 1/2011 Tandrup ..... D12/14  
D631,792 S \* 2/2011 Sanschagrin ..... D12/14  
D633,006 S \* 2/2011 Sanschagrin ..... D12/1  
D642,099 S \* 7/2011 Nagao ..... D12/171  
D650,311 S 12/2011 Bracy  
D660,746 S \* 5/2012 Bracy ..... D12/87  
D682,739 S 5/2013 Patterson et al.  
D701,469 S 3/2014 Lai et al.  
D703,102 S \* 4/2014 Eck ..... D12/87  
D705,127 S 5/2014 Patterson et al.  
D712,311 S 9/2014 Morgan et al.  
D716,201 S \* 10/2014 Ewing ..... D12/171

(21) Appl. No.: **29/640,666**

(22) Filed: **Mar. 16, 2018**

**Related U.S. Application Data**

(63) Continuation-in-part of application No. 29/618,356, filed on Sep. 20, 2017.

(51) **LOC (12) Cl.** ..... **12-16**

(52) **U.S. Cl.**  
USPC ..... **D12/171**

(58) **Field of Classification Search**  
USPC ..... D12/86, 90, 91, 92, 163, 164, 169, 171, D12/196, 216  
CPC ..... B62D 25/02; B62D 25/08; B62D 25/087; B62D 25/24

See application file for complete search history.

(56) **References Cited**

**U.S. PATENT DOCUMENTS**

D286,760 S 11/1986 Ooba et al.  
D312,989 S 12/1990 Murata et al.  
D327,237 S 6/1992 Miyamoto et al.  
D500,707 S 1/2005 Lu  
D503,658 S 4/2005 Lu  
D527,696 S \* 9/2006 Ichikawa ..... D12/171  
D549,133 S 8/2007 LePage  
7,258,394 B2 \* 8/2007 Kotrla ..... B62K 5/01 293/115

**FOREIGN PATENT DOCUMENTS**

EM 000935835-2 6/2008

*Primary Examiner* — Darlington Ly

(74) *Attorney, Agent, or Firm* — BCF LLP

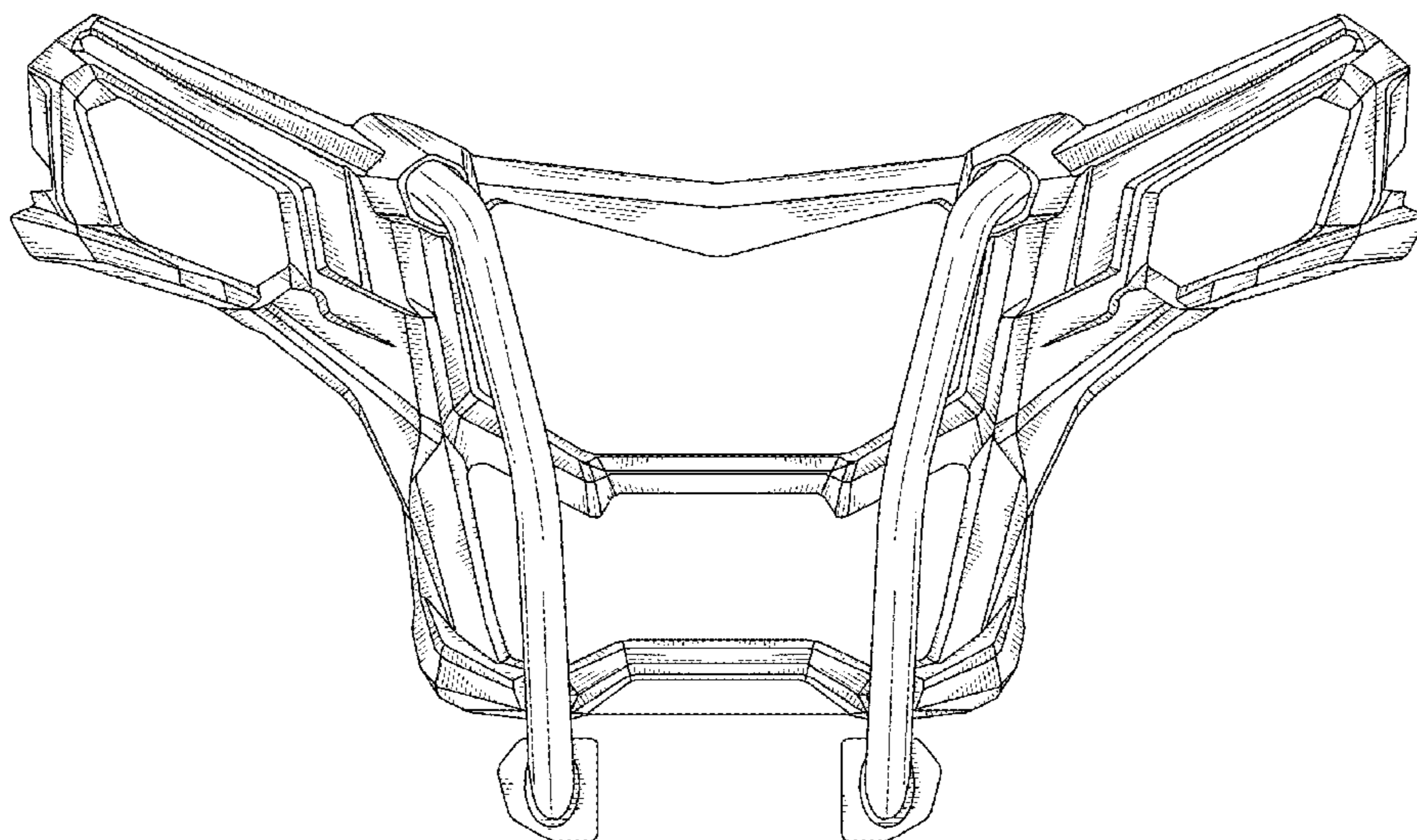
(57) **CLAIM**

The ornamental design for an off-road vehicle front fascia, as shown and described.

**DESCRIPTION**

FIG. 1 is a right side elevation view of an off-road vehicle front fascia showing my new design;  
FIG. 2 is a front elevation view thereof;  
FIG. 3 is a left side elevation view thereof;  
FIG. 4 is a rear elevation view thereof;  
FIG. 5 is a top plan view thereof;  
FIG. 6 is a bottom plan view thereof;  
FIG. 7 is a perspective view taken from a front, right side thereof; and,  
FIG. 8 is a perspective view taken from a front, right side thereof shown on a vehicle shown in dotted lines.  
The broken line showing portions of the off-road vehicle is provided for the purpose of illustrating environmental structure and forms no part of the claimed design.

**1 Claim, 8 Drawing Sheets**



(56)

**References Cited**

## U.S. PATENT DOCUMENTS

D719,061 S \* 12/2014 Tandrup ..... D12/87  
D722,927 S \* 2/2015 Schroeder ..... D12/171  
D726,605 S \* 4/2015 Schroeder ..... D12/171  
D735,077 S \* 7/2015 Sato ..... D12/87  
D737,724 S 9/2015 Schroeder et al.  
D739,304 S 9/2015 Brown  
9,327,587 B2 5/2016 Spindler et al.  
D762,517 S \* 8/2016 Hashimoto ..... D12/14  
D762,522 S \* 8/2016 Kinoshita ..... D12/87  
D764,973 S \* 8/2016 Mikhailov ..... D12/14  
D764,974 S \* 8/2016 Mikhailov ..... D12/14  
D771,537 S \* 11/2016 Hare ..... D12/169  
D772,755 S \* 11/2016 Tandrup ..... D12/14  
D775,014 S \* 12/2016 Higgs ..... D12/170  
D785,504 S \* 5/2017 Higgs ..... D12/91  
9,725,023 B2 \* 8/2017 Miller ..... B60P 1/04  
9,776,481 B2 10/2017 Deckard et al.  
D804,993 S \* 12/2017 Eck ..... D12/87  
D805,009 S \* 12/2017 Eck ..... D12/171  
D805,015 S 12/2017 Eck et al.  
D811,967 S \* 3/2018 Brown ..... D12/171  
D835,545 S \* 12/2018 Hanten ..... D12/87

\* cited by examiner

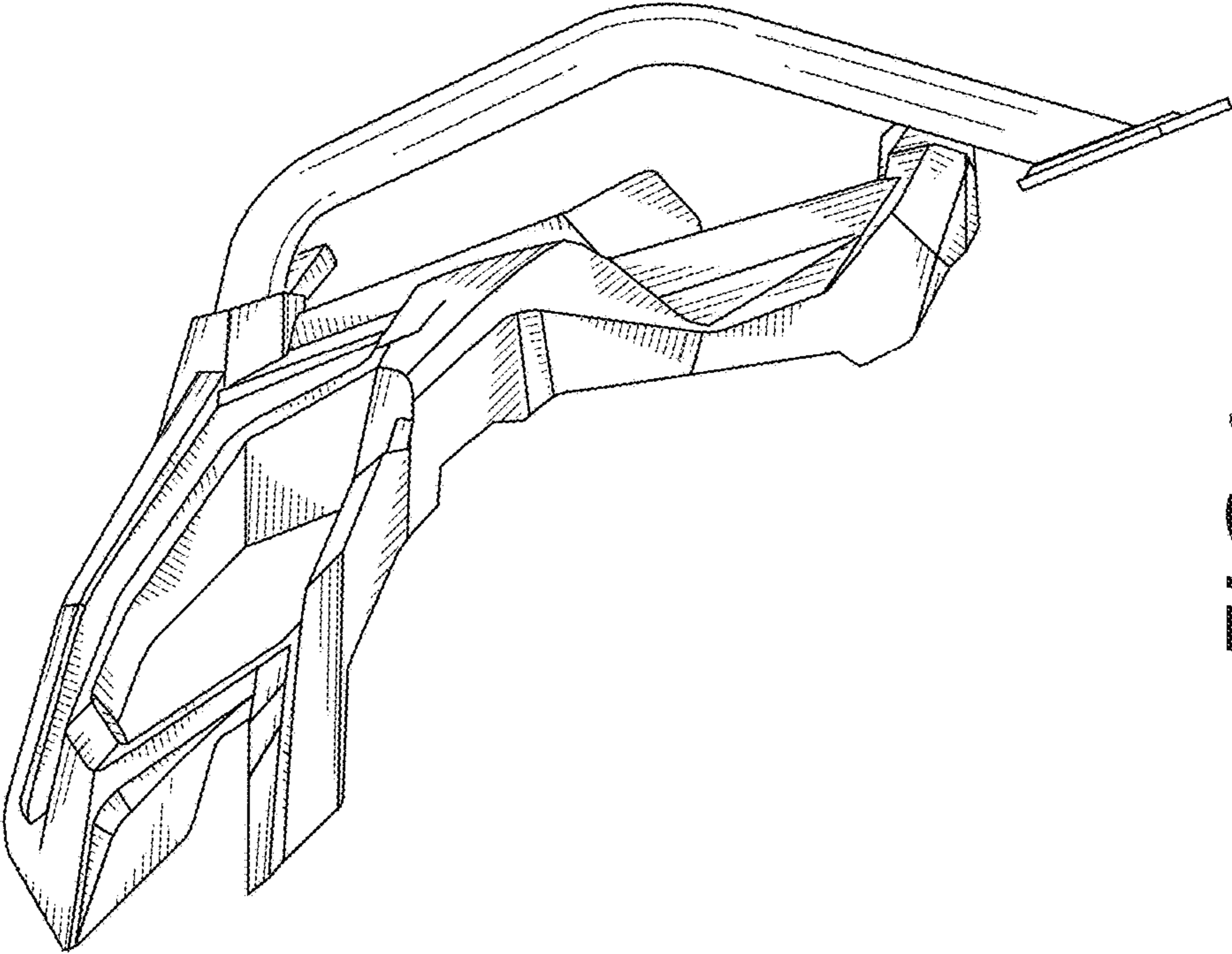


FIG.1

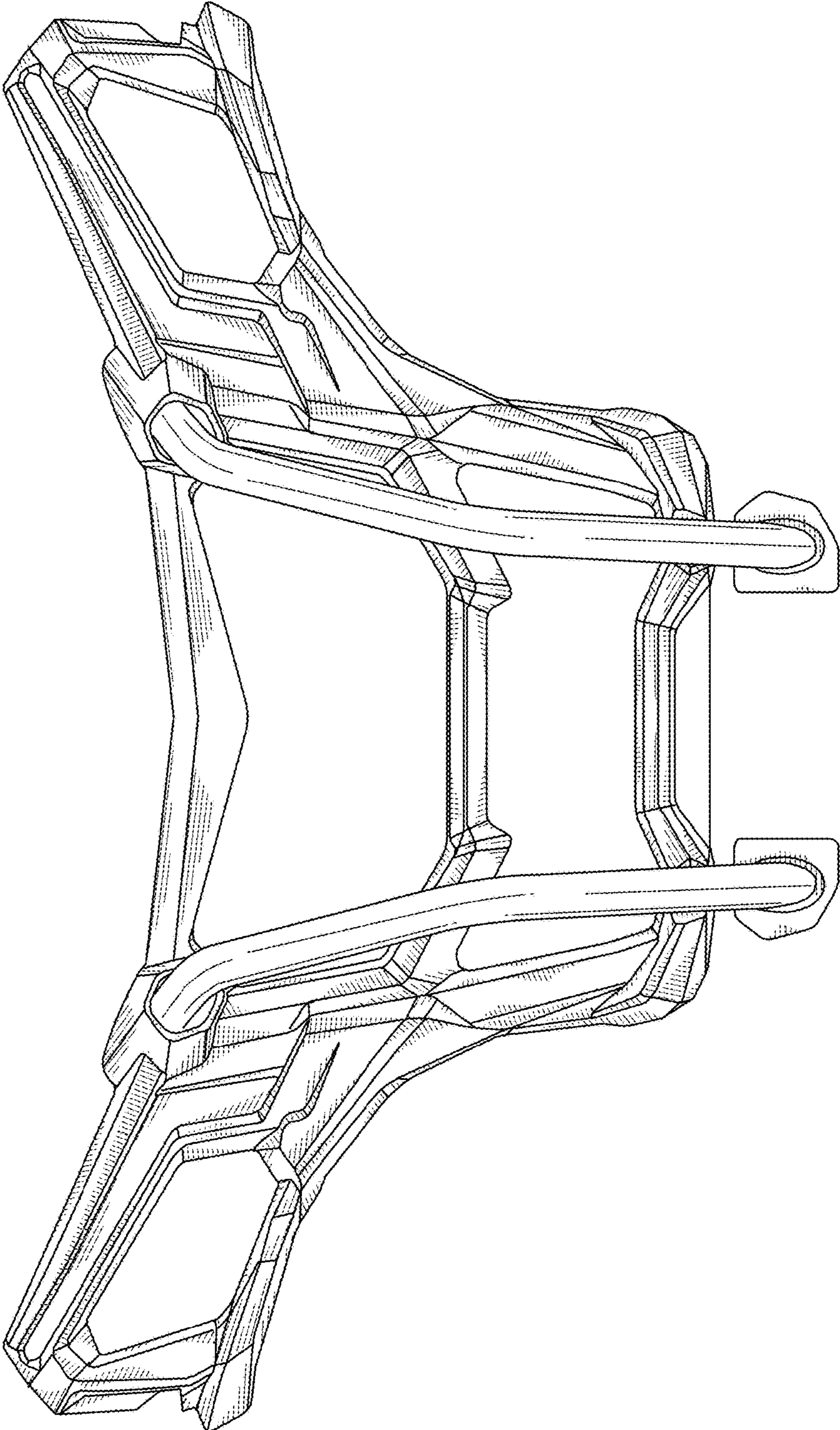


FIG. 2

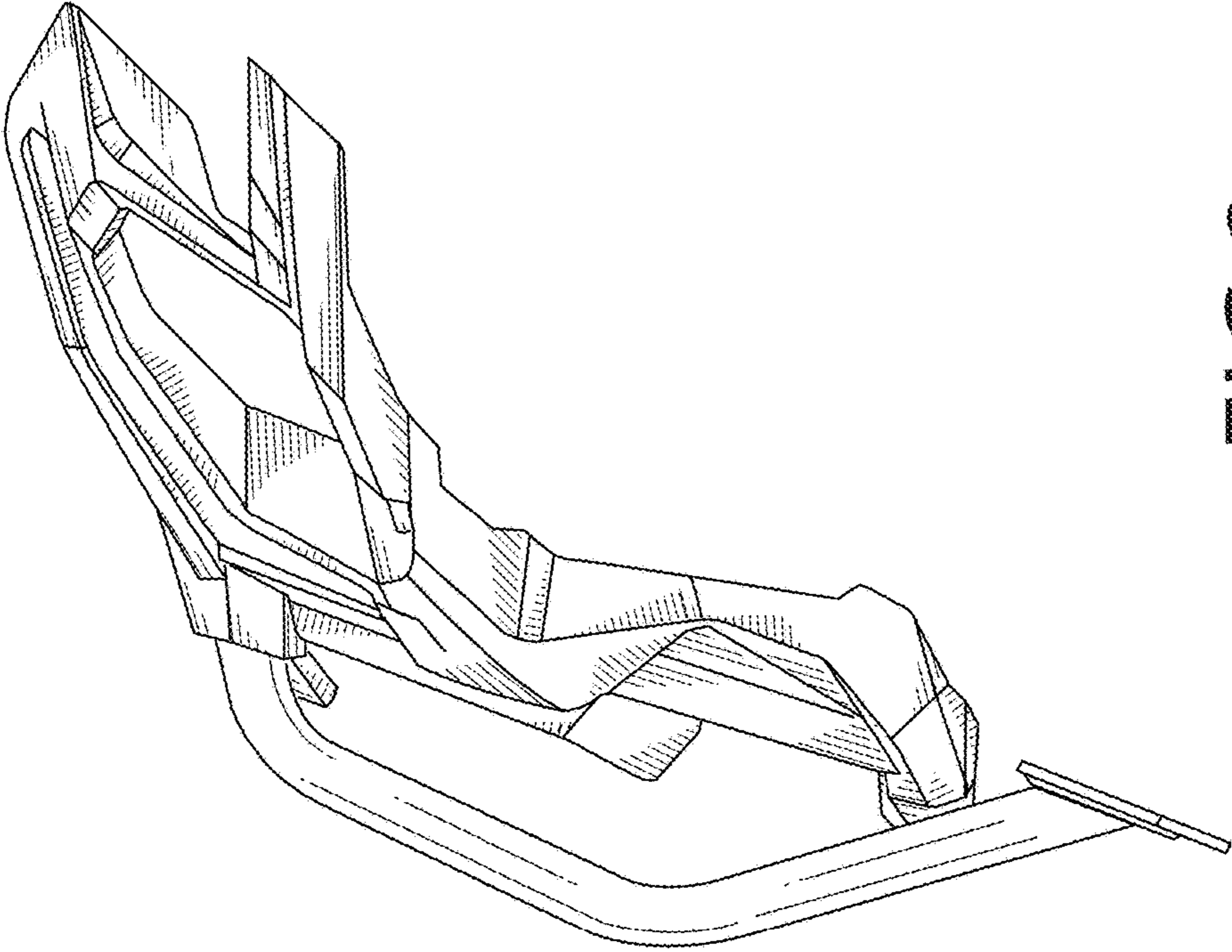


FIG. 3

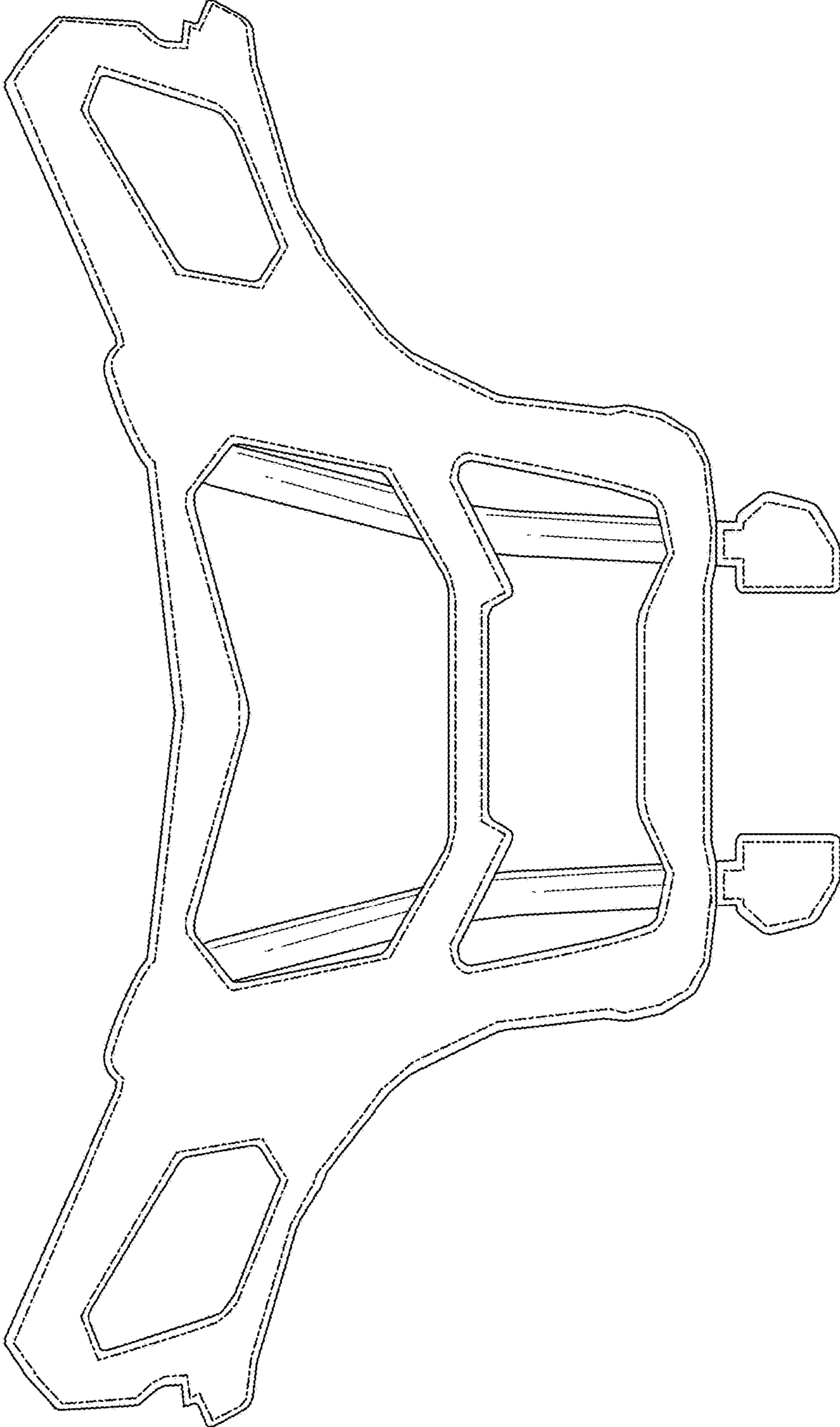


FIG.4

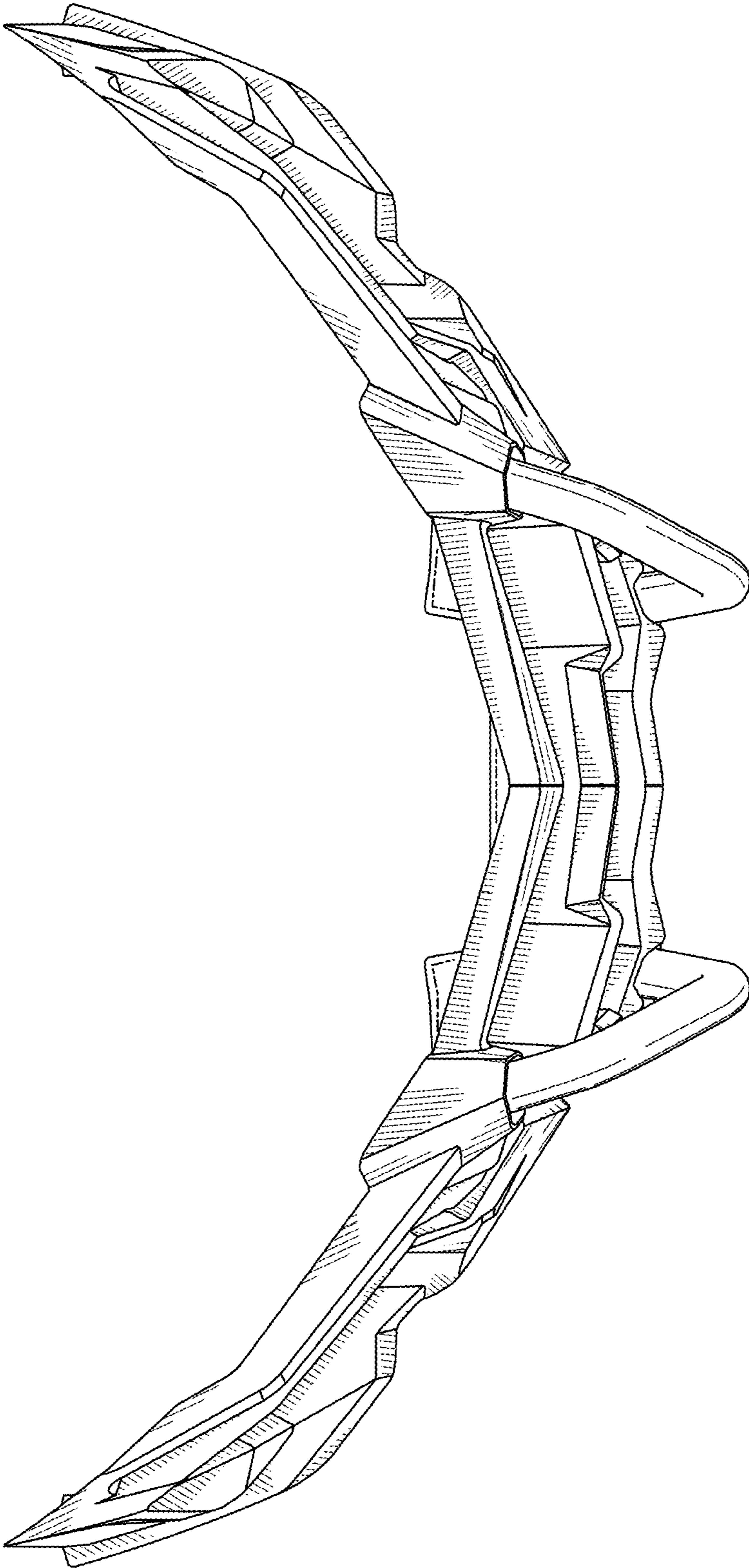


FIG.5

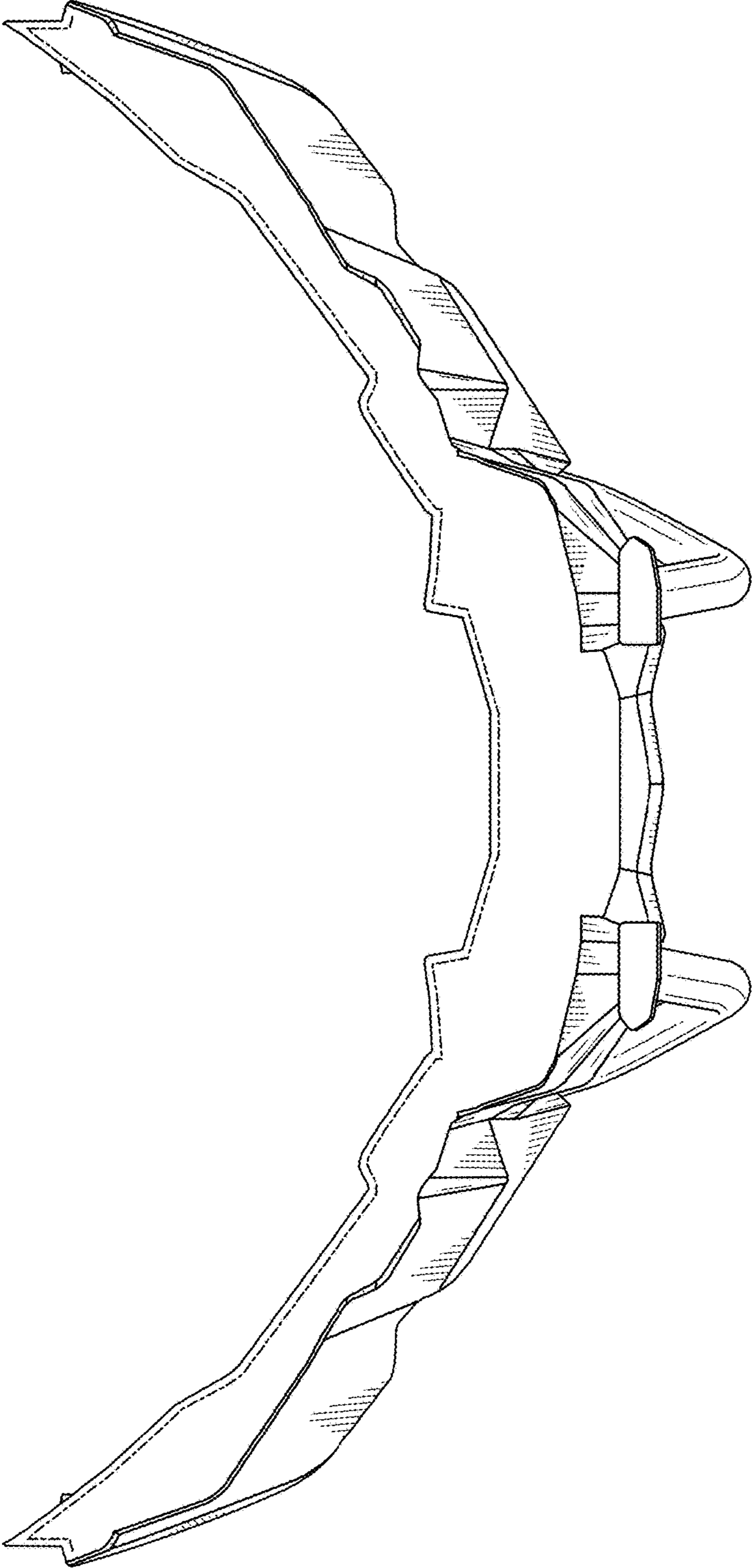


FIG.6



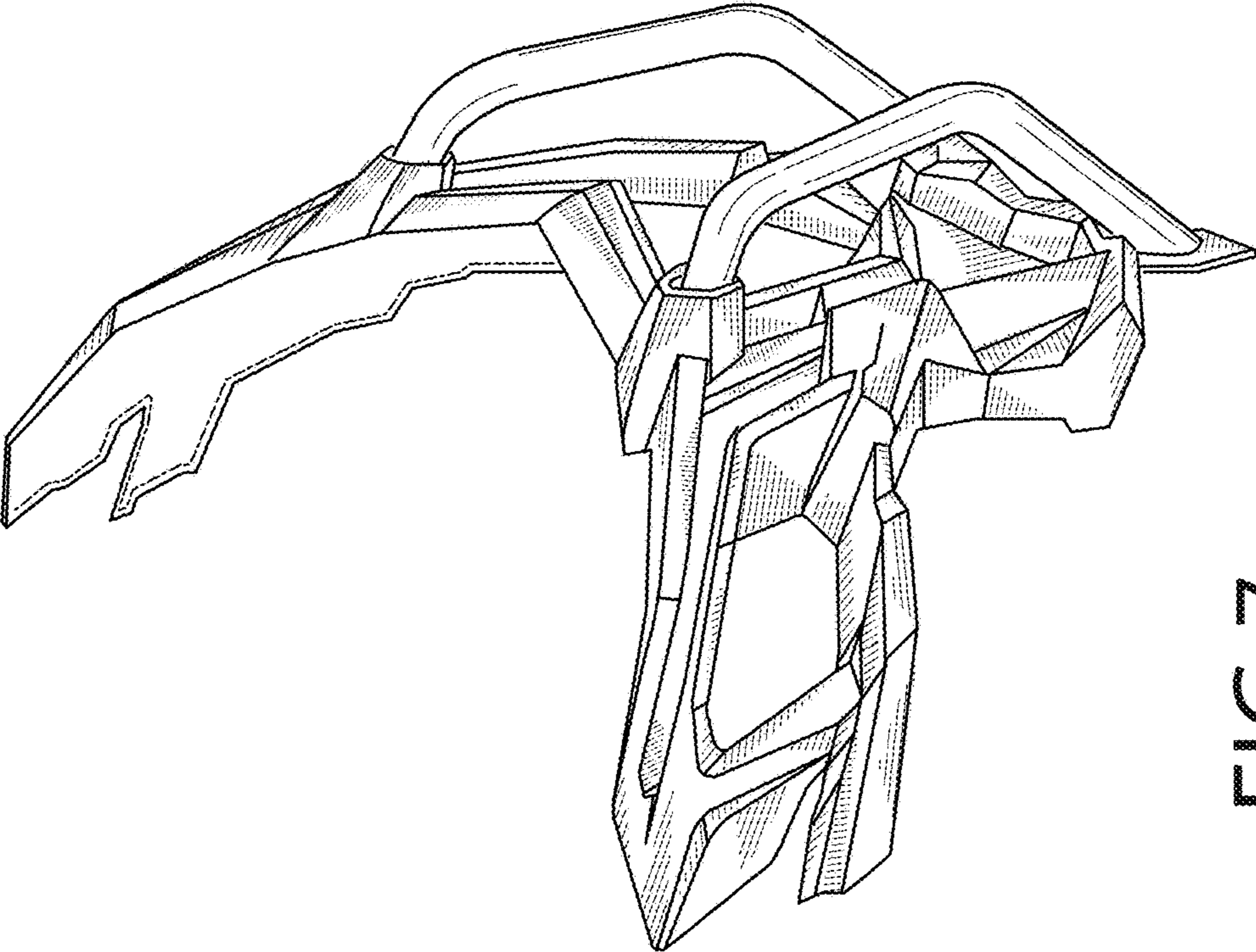


FIG. 7

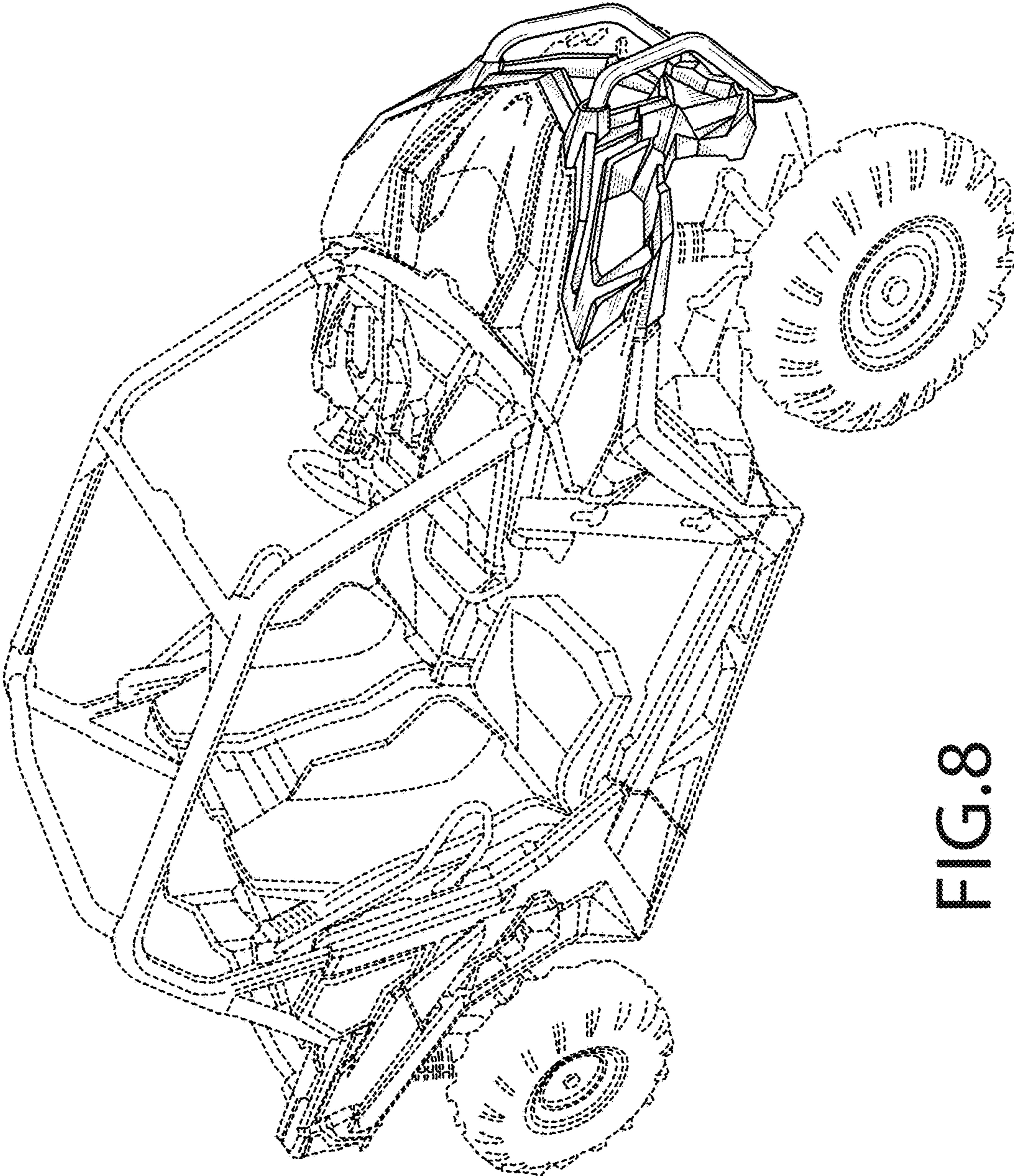


FIG.8

UNITED STATES PATENT AND TRADEMARK OFFICE  
**CERTIFICATE OF CORRECTION**

PATENT NO. : D867,942 S  
APPLICATION NO. : 29/640666  
DATED : November 26, 2019  
INVENTOR(S) : Alexei Mikhailov

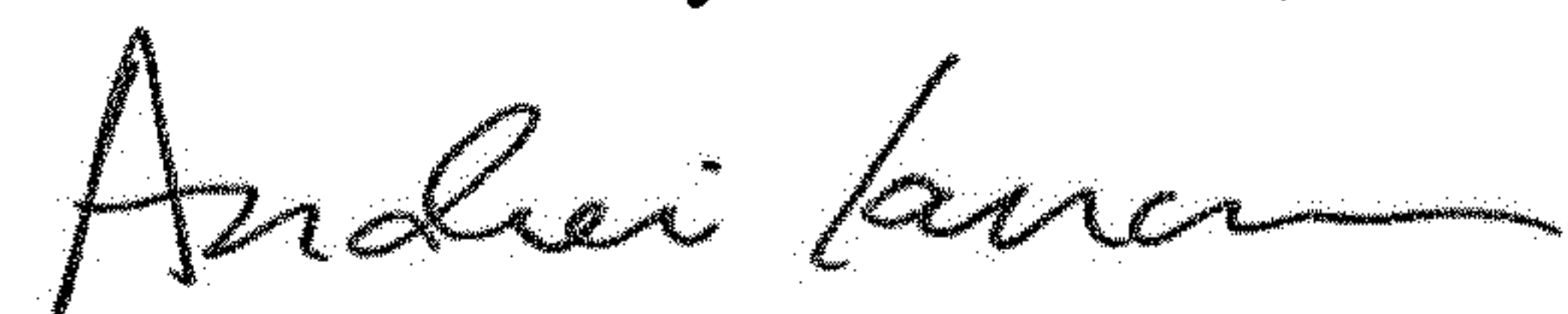
Page 1 of 1

It is certified that error appears in the above-identified patent and that said Letters Patent is hereby corrected as shown below:

On the Title Page

In the Item (56), FOREIGN PATENT DOCUMENTS section, "EM 000935835-2" should read  
--EM 000946835-2--.

Signed and Sealed this  
Twentieth Day of October, 2020



Andrei Iancu  
*Director of the United States Patent and Trademark Office*