



US00D867940S

(12) **United States Design Patent**  
**Li et al.**

(10) **Patent No.:** **US D867,940 S**

(45) **Date of Patent:** **\*\* Nov. 26, 2019**

(54) **AUTOMOBILE BUMPER**

(71) Applicant: **BYD COMPANY LIMITED**,  
Shenzhen, Guangdong (CN)

(72) Inventors: **Leyang Li**, Shenzhen (CN); **Kai Guo**,  
Shenzhen (CN); **Wenquan Tang**,  
Shenzhen (CN); **Changshu Shangguan**,  
Shenzhen (CN)

(73) Assignee: **BYD COMPANY LIMITED**,  
Shenzhen (CN)

(\*\*) Term: **15 Years**

(21) Appl. No.: **29/603,692**

(22) Filed: **May 11, 2017**

(30) **Foreign Application Priority Data**

Nov. 15, 2016 (CN) ..... 2016 3 0553333

(51) **LOC (12) Cl.** ..... **12-16**

(52) **U.S. Cl.**  
USPC ..... **D12/169**

(58) **Field of Classification Search**  
USPC ..... D12/86, 90, 91, 92, 163, 164, 167, 169,  
D12/171, 196, 216

CPC ..... B60R 19/02; B60R 19/18; B60R 19/24;  
B60R 19/56; B60R 2019/007

See application file for complete search history.

(56) **References Cited**

**U.S. PATENT DOCUMENTS**

D555,551 S \* 11/2007 Kaoud ..... D12/169  
7,891,452 B2 \* 2/2011 Iwamoto ..... F01N 13/20  
180/225

D714,196 S \* 9/2014 Mays ..... D12/169  
D715,708 S \* 10/2014 Mays ..... D12/169  
D750,539 S \* 3/2016 Iwauchi ..... D12/169  
D766,786 S \* 9/2016 Varga ..... D12/169  
D792,298 S \* 7/2017 Komuro ..... D12/169  
D802,500 S \* 11/2017 Han ..... D12/169  
D804,371 S \* 12/2017 Whitla ..... D12/169  
D807,258 S \* 1/2018 Patel ..... D12/169  
D813,114 S \* 3/2018 Zurian ..... D12/169  
D814,994 S \* 4/2018 Varga ..... D12/169  
D819,525 S \* 6/2018 Behmer ..... D12/169

\* cited by examiner

*Primary Examiner* — Darlington Ly

(74) *Attorney, Agent, or Firm* — Calfee Halter &  
Griswold LLP

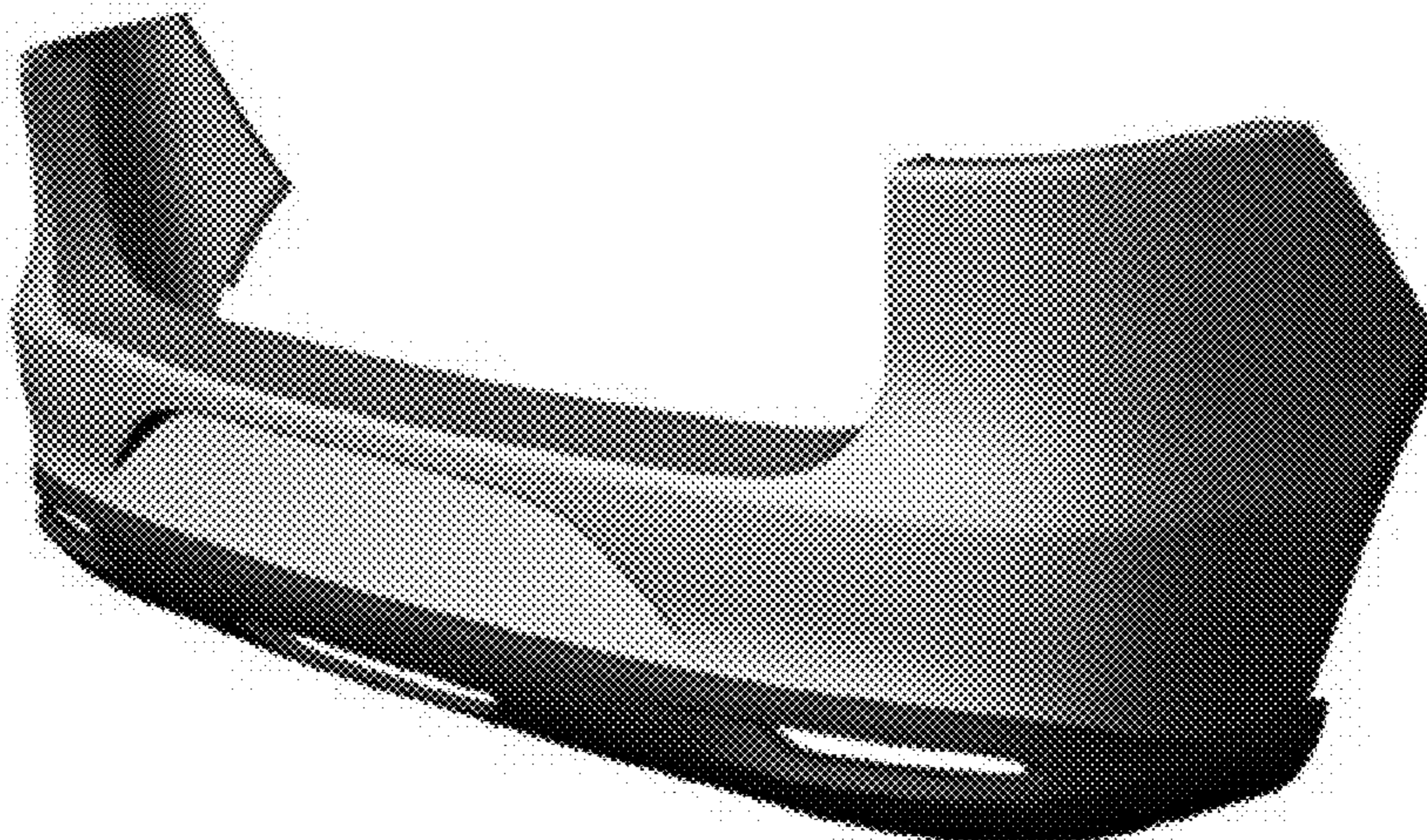
(57) **CLAIM**

We claim the ornamental design for an automobile bumper,  
as shown and described.

**DESCRIPTION**

FIG. 1 is a rendered front elevation view of an automobile bumper showing our new design;  
FIG. 2 is a rear elevation view thereof;  
FIG. 3 is a left side elevation view thereof;  
FIG. 4 is a right side elevation view thereof;  
FIG. 5 is a top plan view thereof;  
FIG. 6 is a bottom plan view thereof; and,  
FIG. 7 is a top, front, and right side perspective view thereof.

**1 Claim, 5 Drawing Sheets**



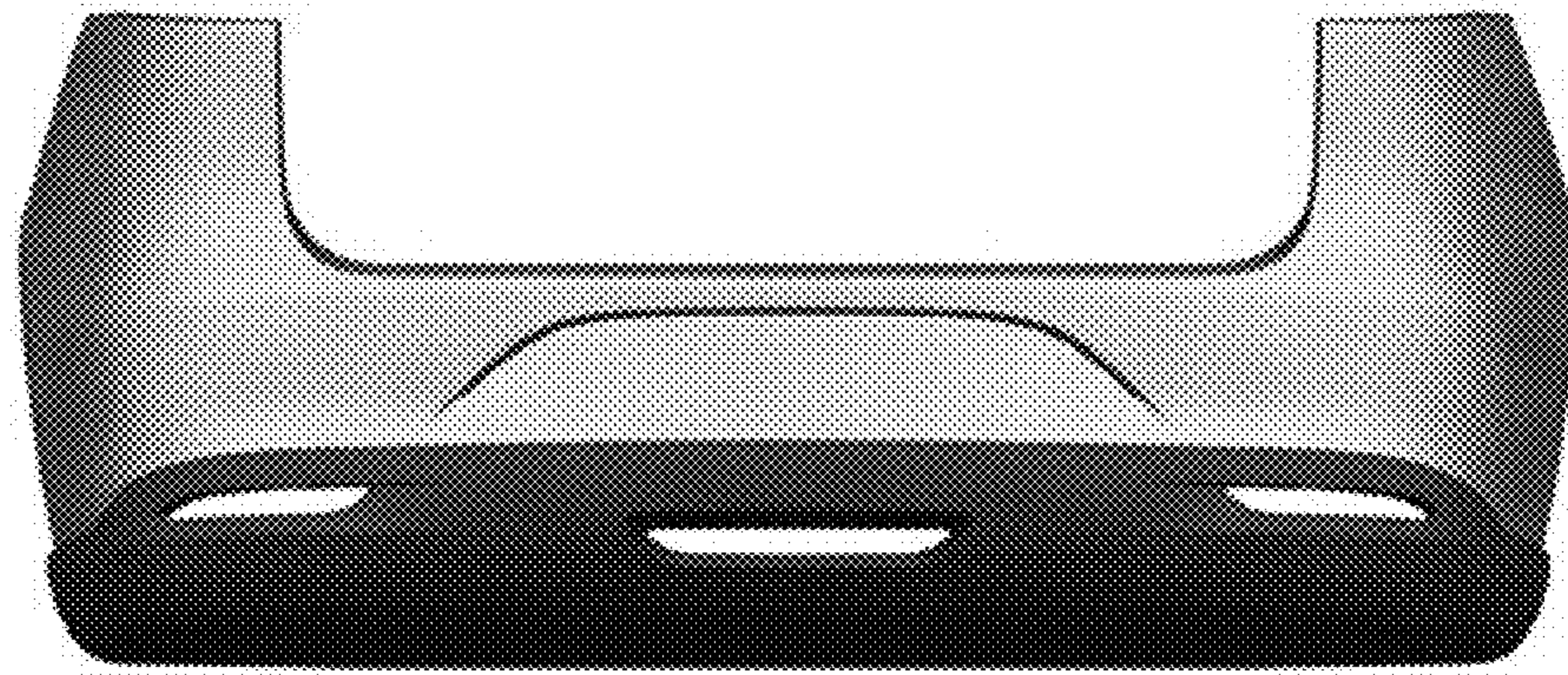


FIG. 1

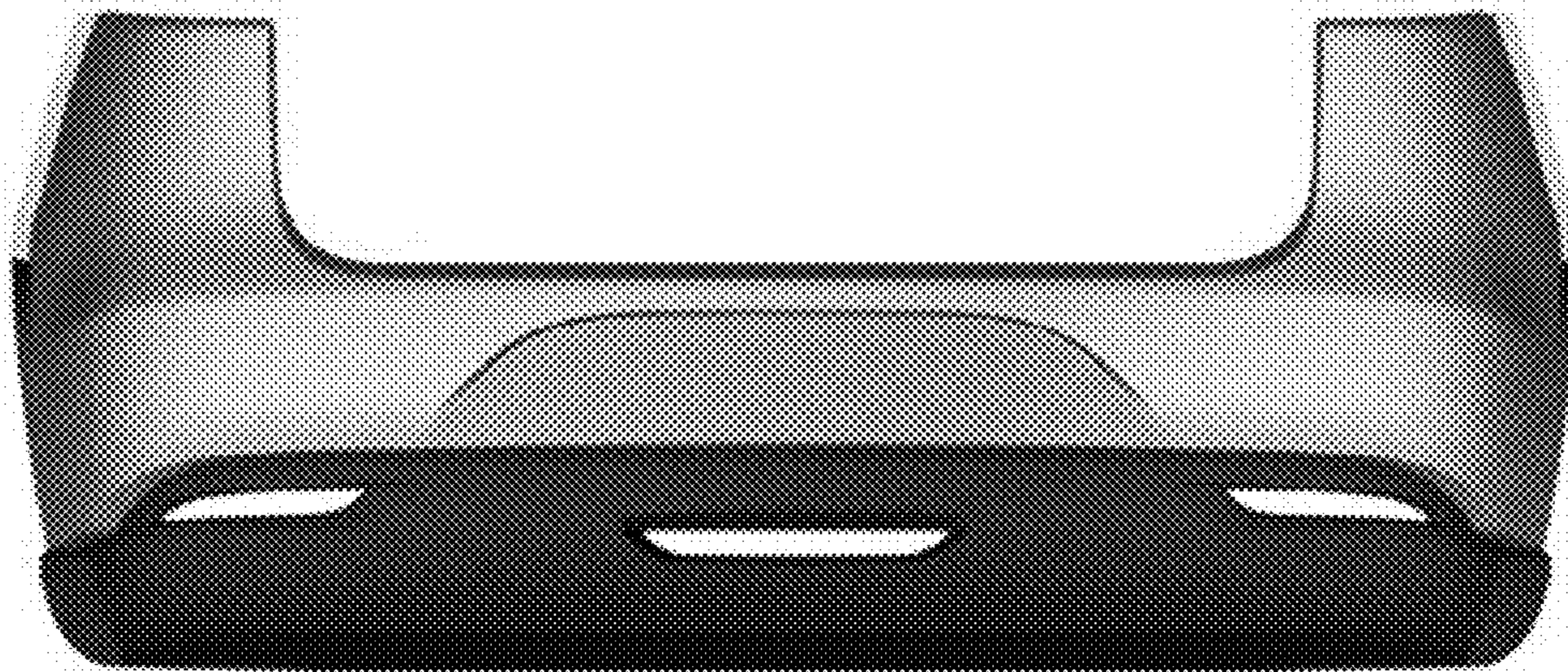


FIG. 2

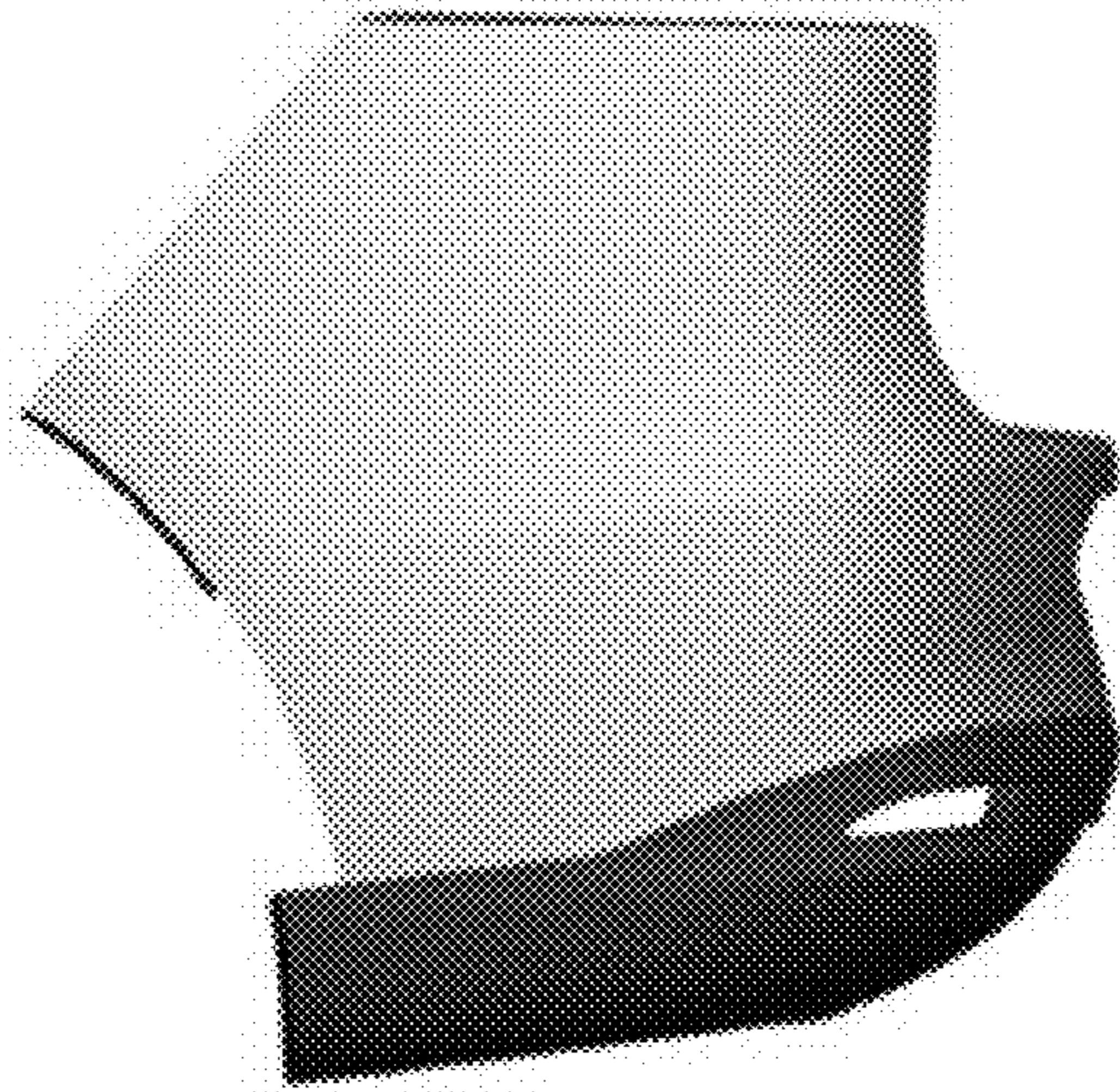


FIG. 3

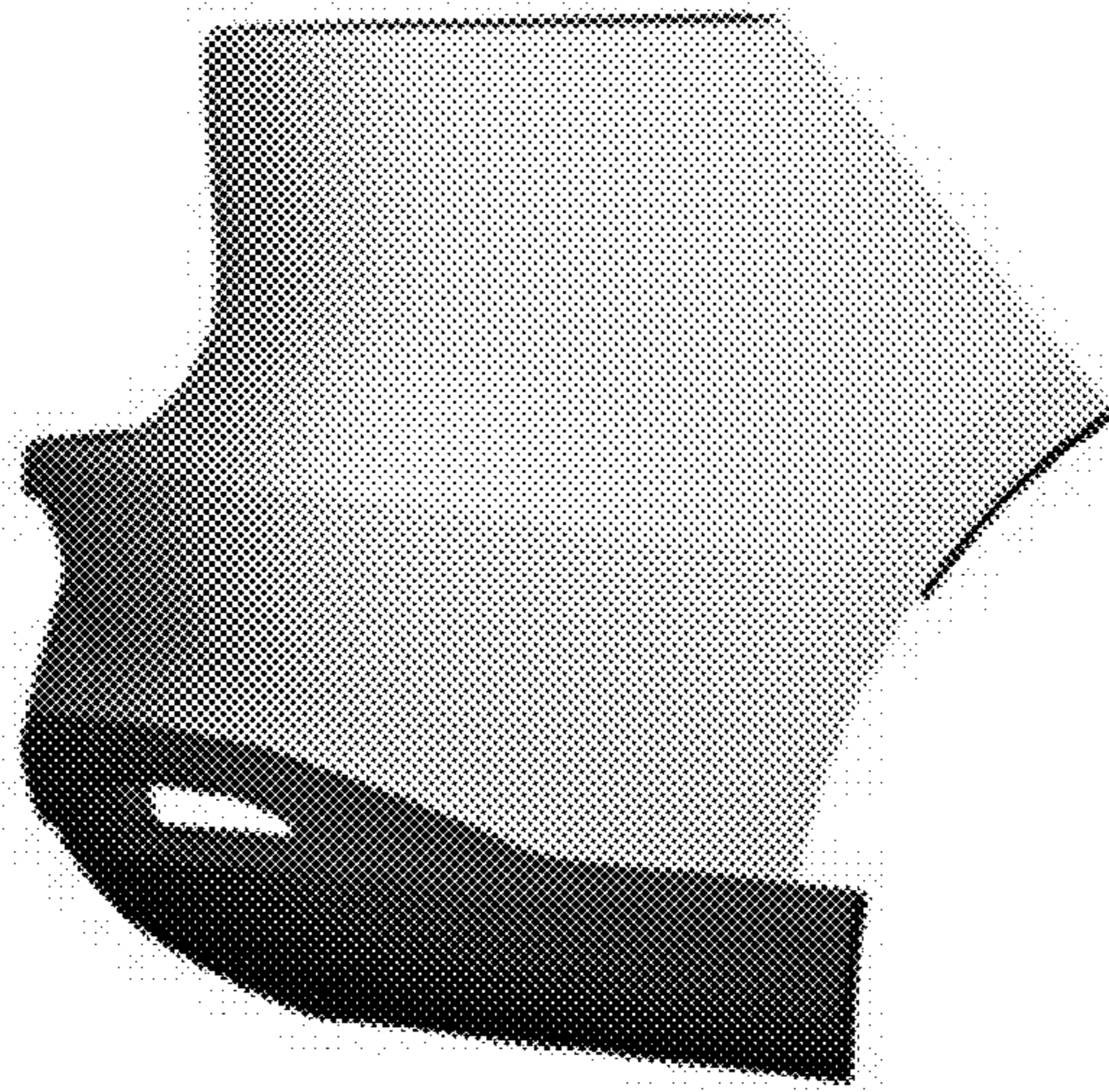


FIG. 4

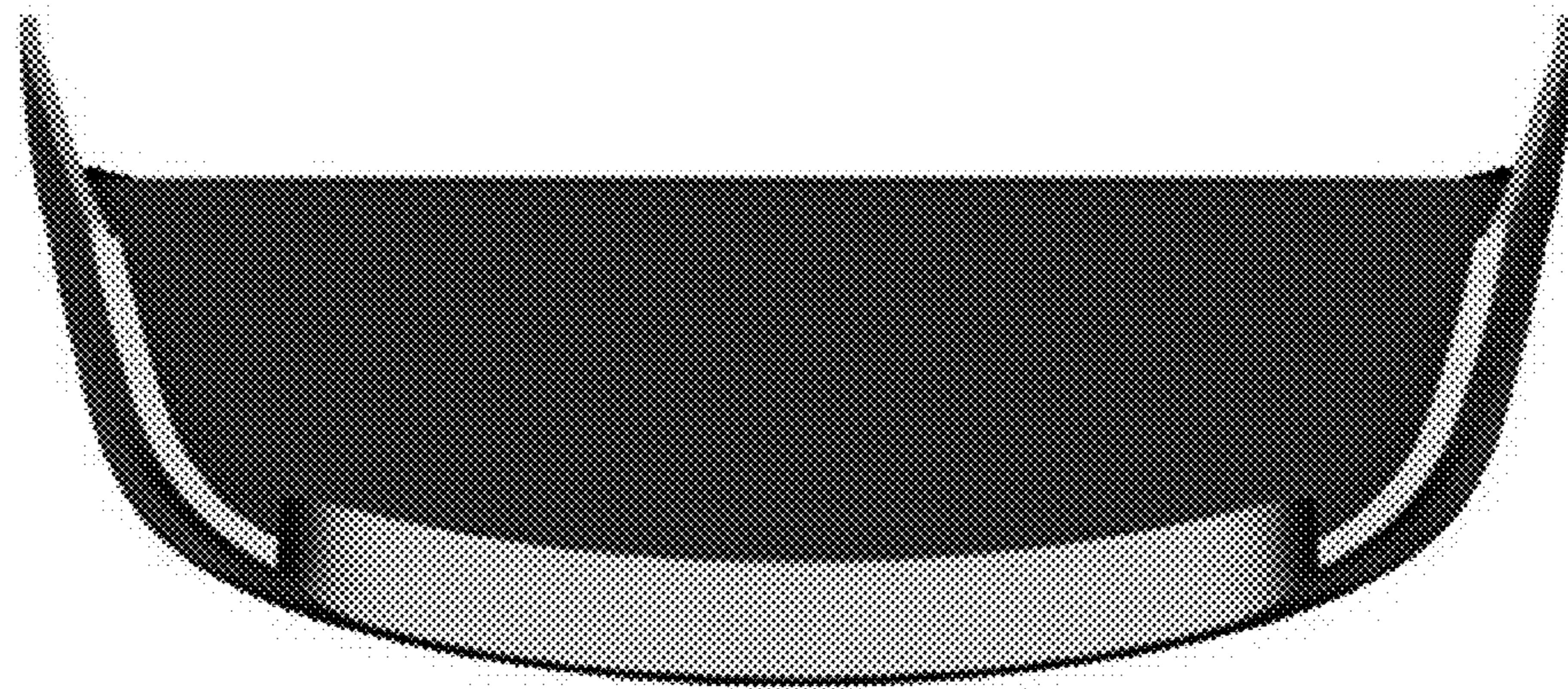


FIG. 5

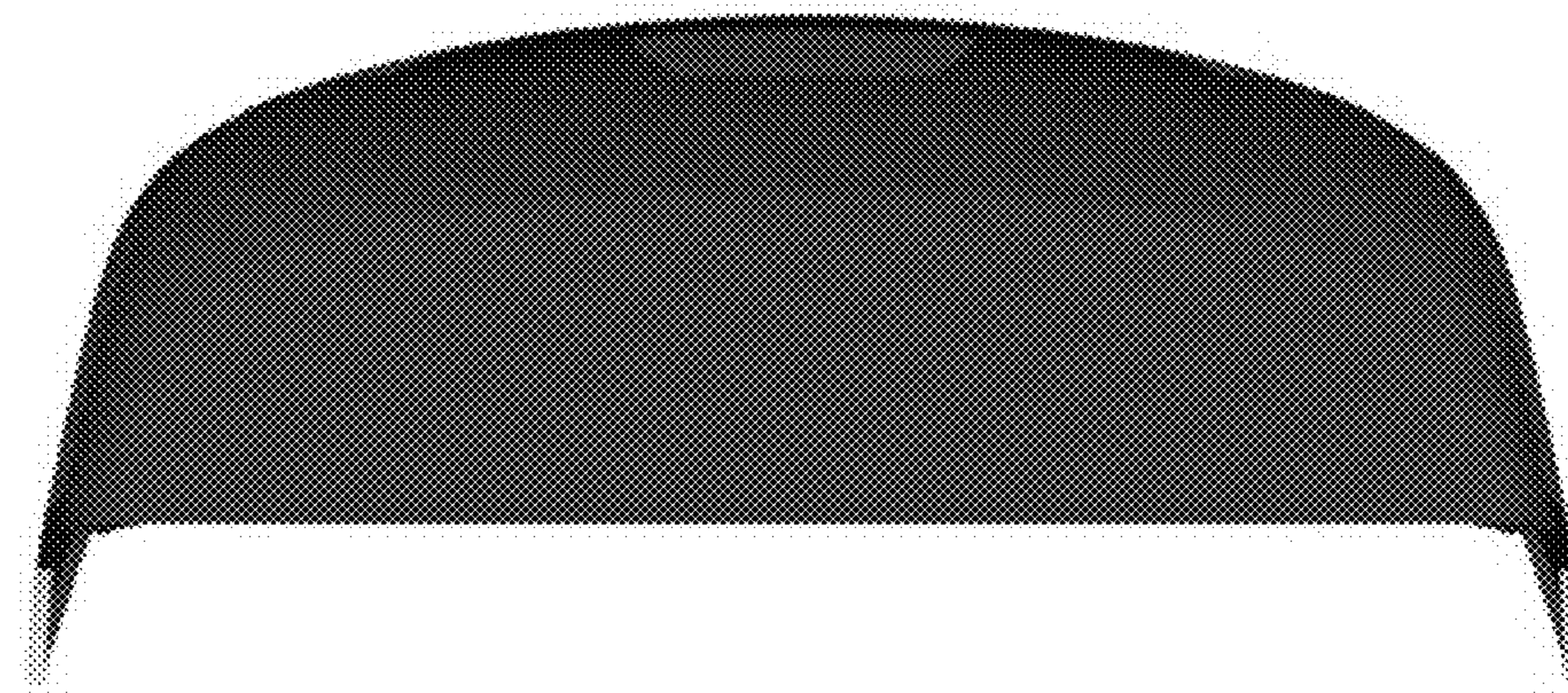


FIG. 6

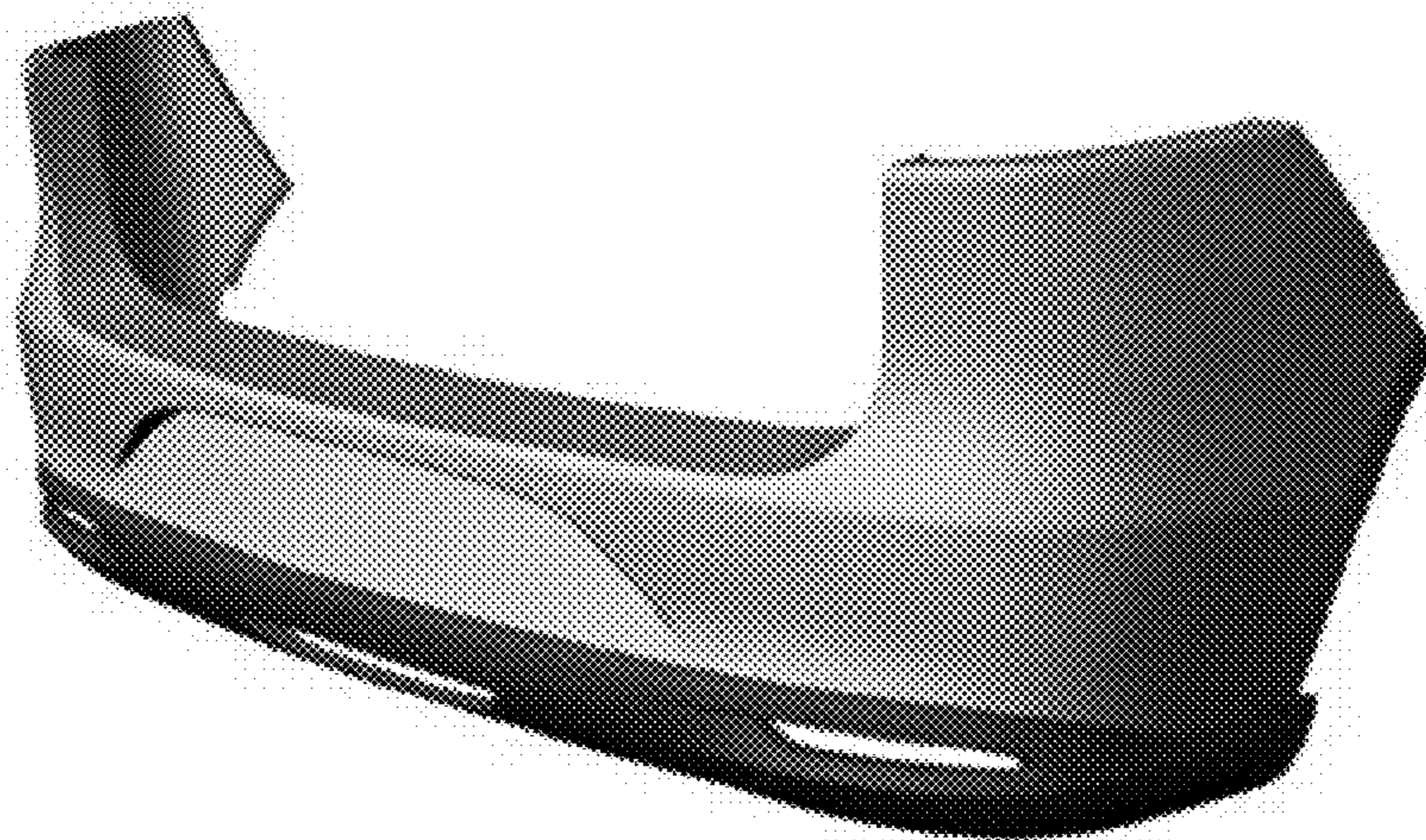


FIG. 7