



US00D867937S

(12) **United States Design Patent**
Bae

(10) **Patent No.:** **US D867,937 S**

(45) **Date of Patent:** **** Nov. 26, 2019**

(54) **ELECTRICALLY-POWERED WHEELCHAIR**

(71) Applicant: **HONDA MOTOR CO., LTD.**, Tokyo (JP)

(72) Inventor: **Sungjun Bae**, Wako (JP)

(73) Assignee: **HONDA MOTOR CO., LTD.**, Tokyo (JP)

(**) Term: **15 Years**

(21) Appl. No.: **29/642,936**

(22) Filed: **Apr. 3, 2018**

(30) **Foreign Application Priority Data**

Oct. 6, 2017 (JP) 2017-022278

(51) **LOC (12) Cl.** **12-12**

(52) **U.S. Cl.**
USPC **D12/128**

(58) **Field of Classification Search**
USPC D12/128-133
CPC A61G 5/04; A61G 5/041-047; A61G 2005/048
See application file for complete search history.

(56) **References Cited**

U.S. PATENT DOCUMENTS

D526,938 S * 8/2006 Nagel D12/128
D530,650 S * 10/2006 Azuma D12/131

D556,647 S * 12/2007 Yamagishi D12/131
D561,651 S * 2/2008 Yamagishi D12/131
D590,751 S * 4/2009 Yang D12/128
D608,255 S * 1/2010 Arnell D12/132
D786,740 S * 5/2017 Abe D12/128
D833,917 S * 11/2018 Jiang D12/128
D848,905 S * 5/2019 Jiang D12/128
D849,604 S * 5/2019 Wu D12/128

* cited by examiner

Primary Examiner — Charles D Hanson

(74) *Attorney, Agent, or Firm* — Westerman, Hattori, Daniels & Adrian, LLP

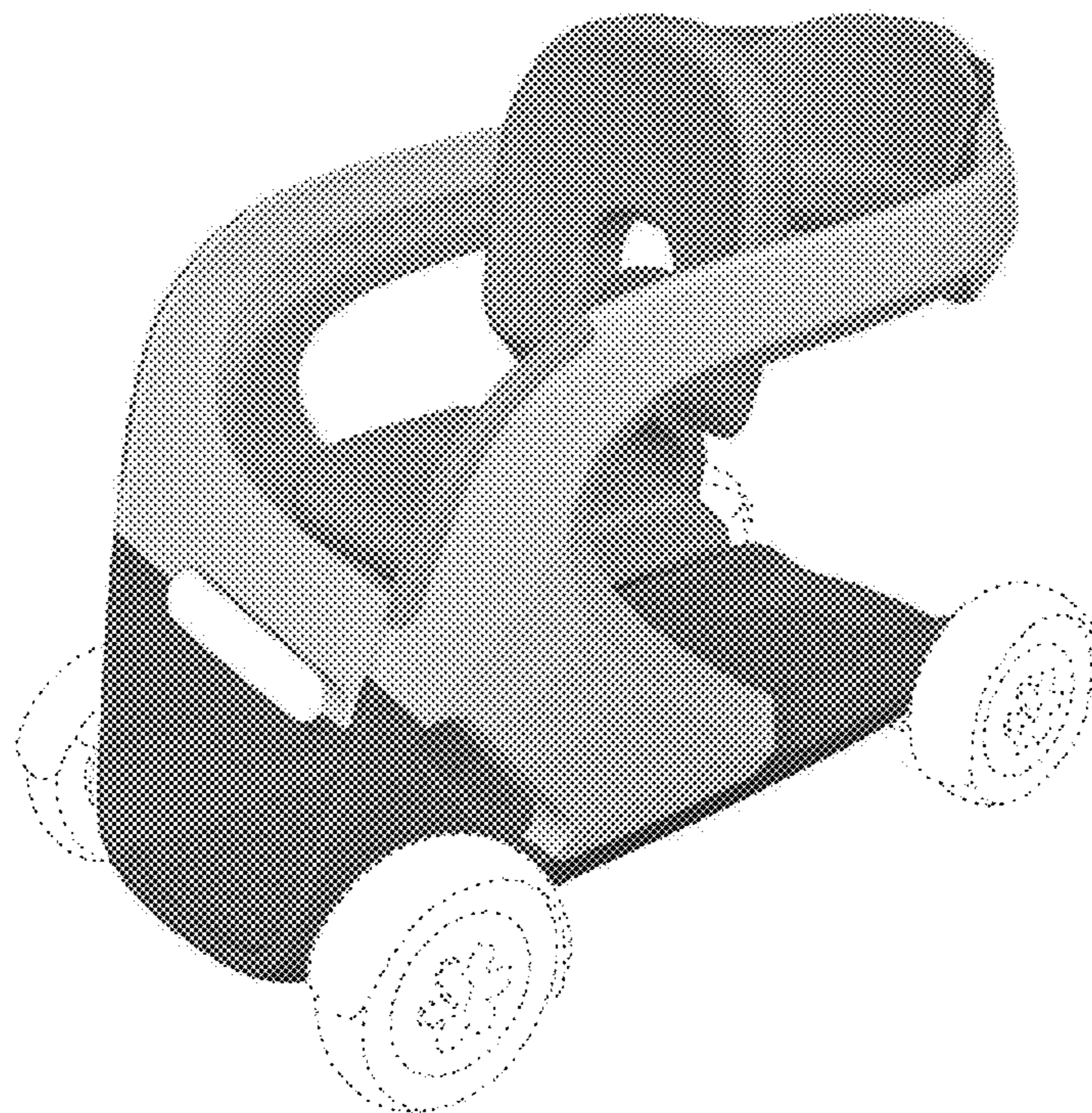
(57) **CLAIM**

The ornamental design for an electrically-powered wheelchair, as shown and described.

DESCRIPTION

FIG. 1 is a front and right side perspective view of an electrically-powered wheelchair;
FIG. 2 is a rear and right side perspective view thereof;
FIG. 3 is a front elevation view thereof;
FIG. 4 is a rear elevation view thereof;
FIG. 5 is a top plan view thereof;
FIG. 6 is a right side elevation view thereof; and,
FIG. 7 is a left side elevation view thereof.
The broken lines in the drawings illustrate portions of the electrically-powered wheelchair that form no part of the claimed design.

1 Claim, 7 Drawing Sheets



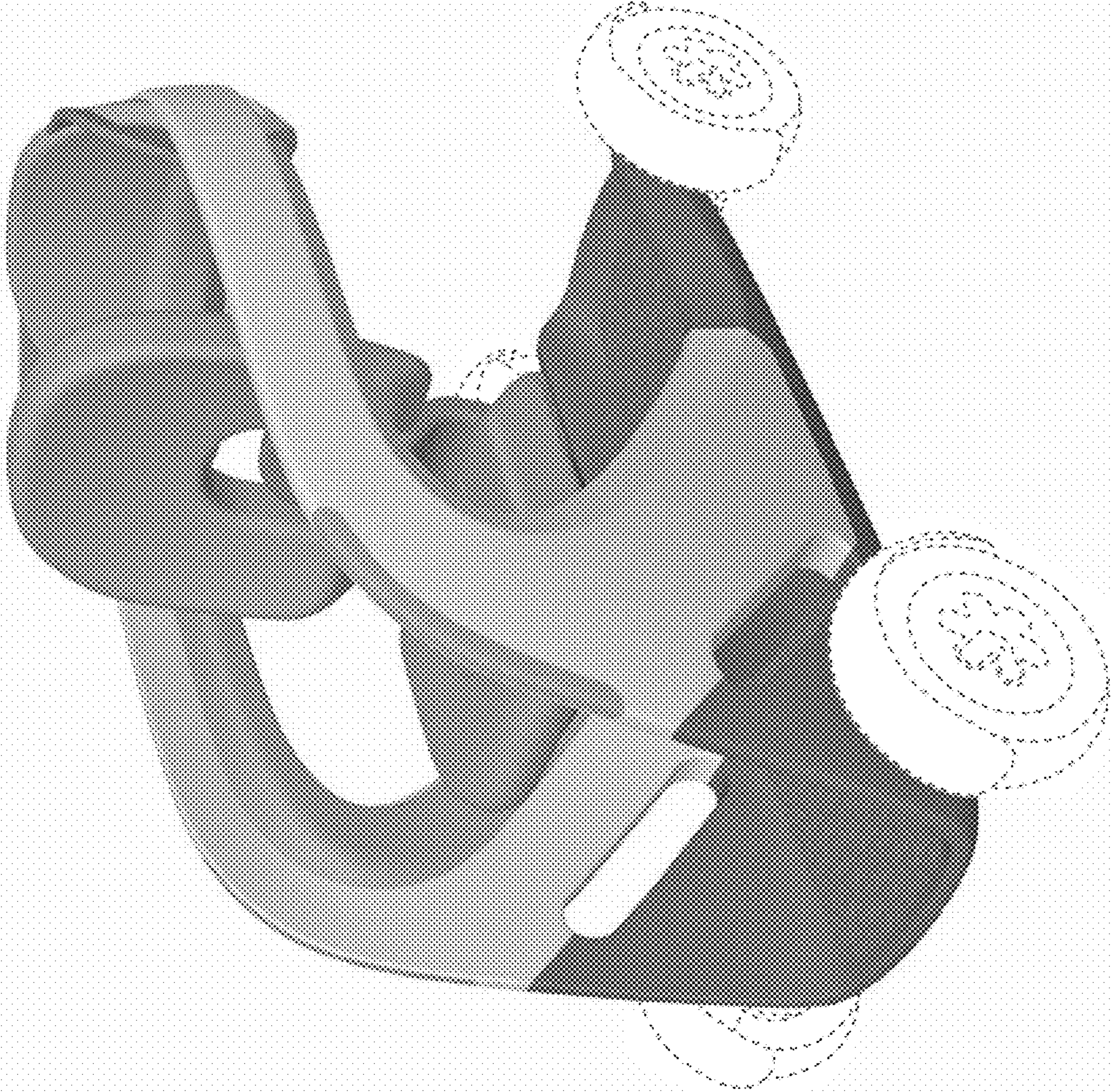


Fig.1

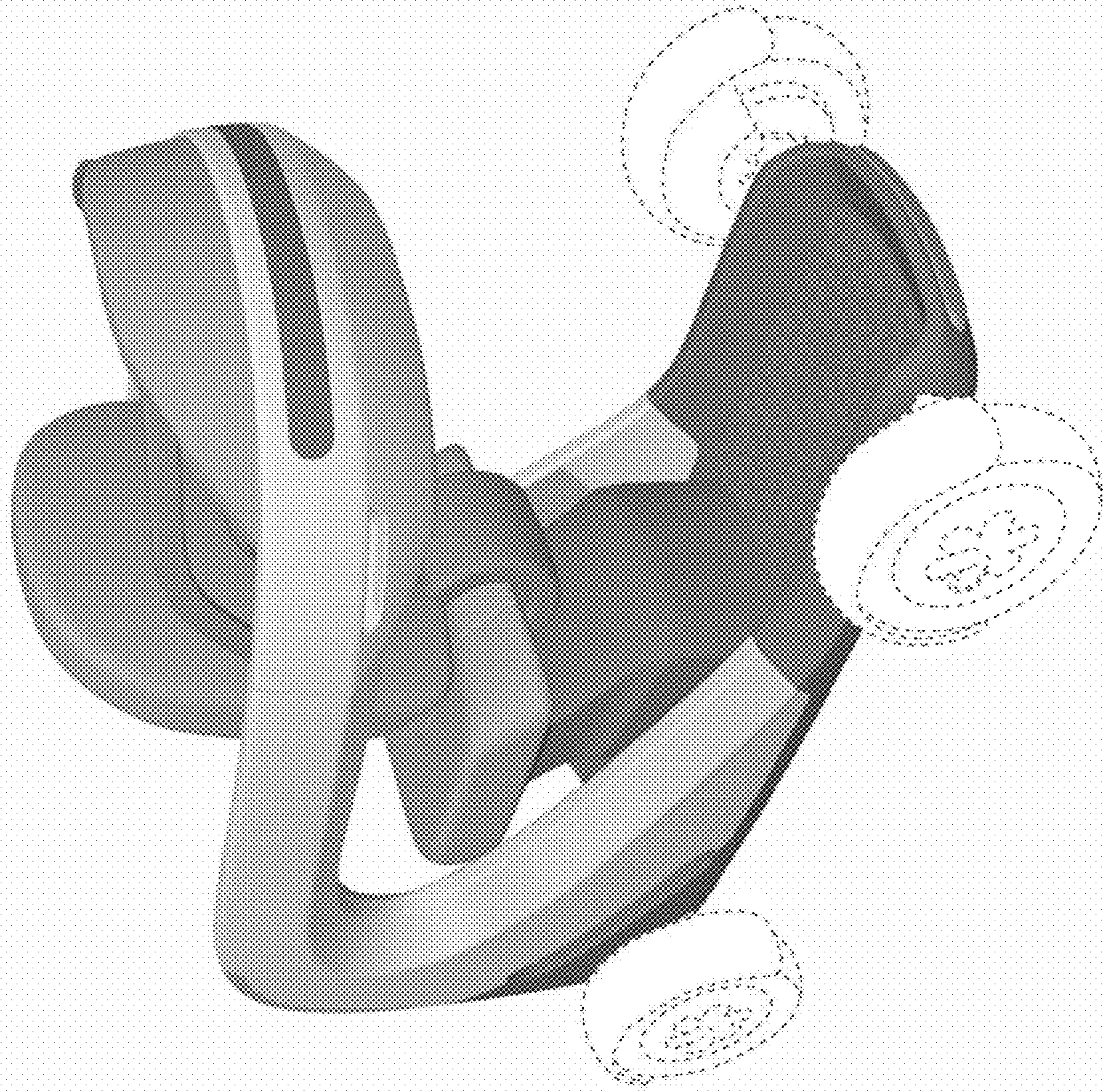


Fig.2

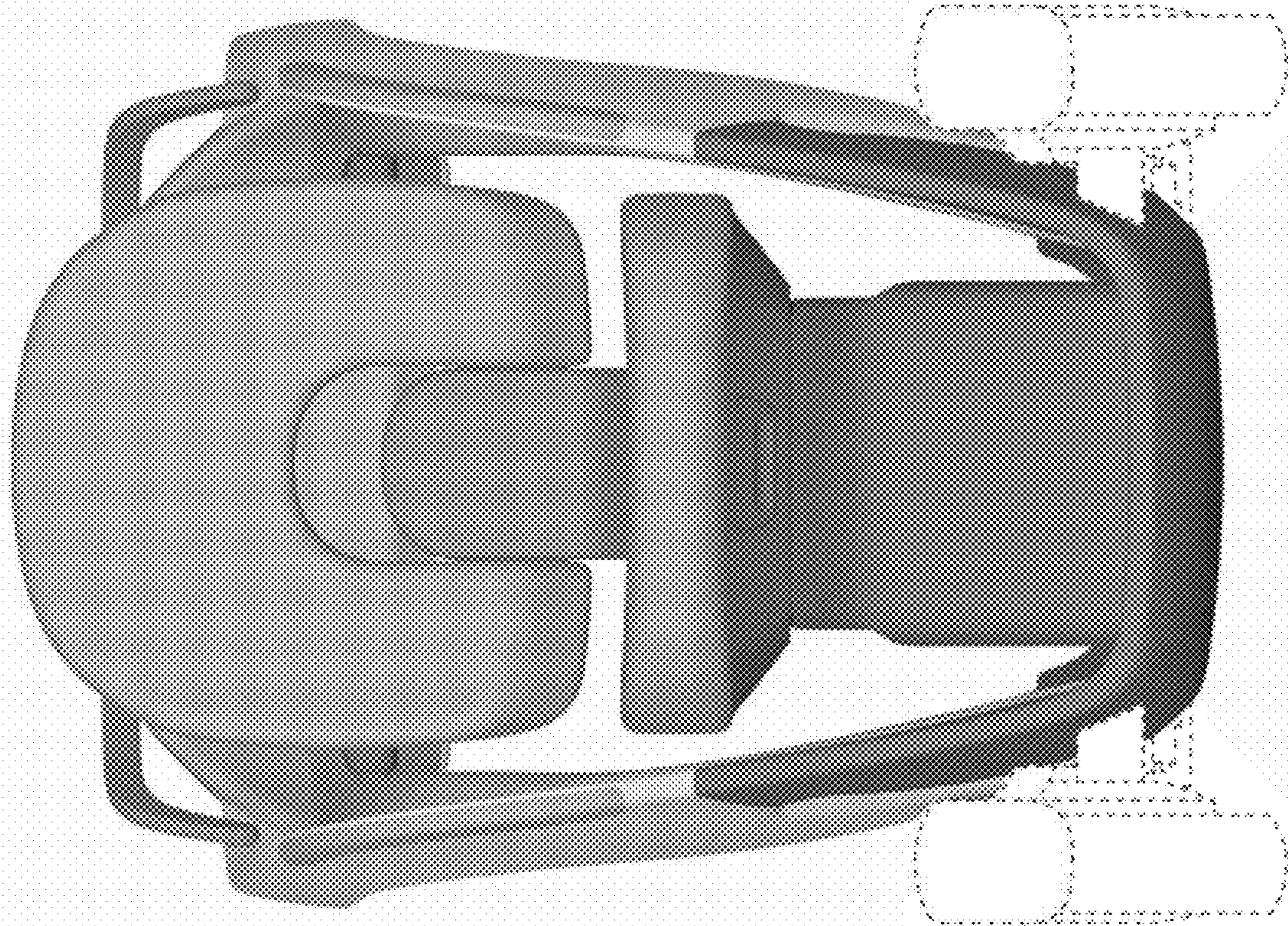


Fig. 3

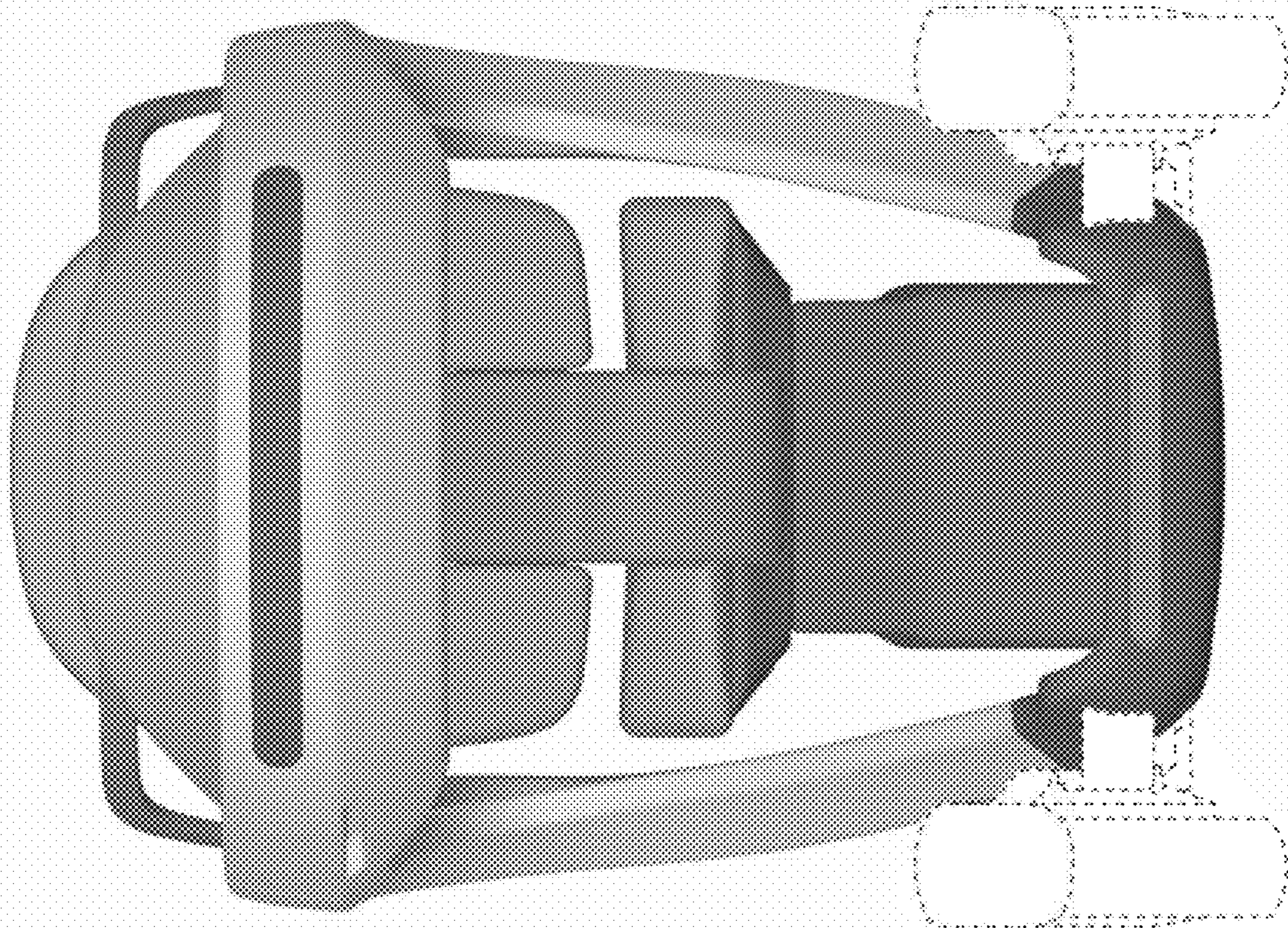


Fig.4

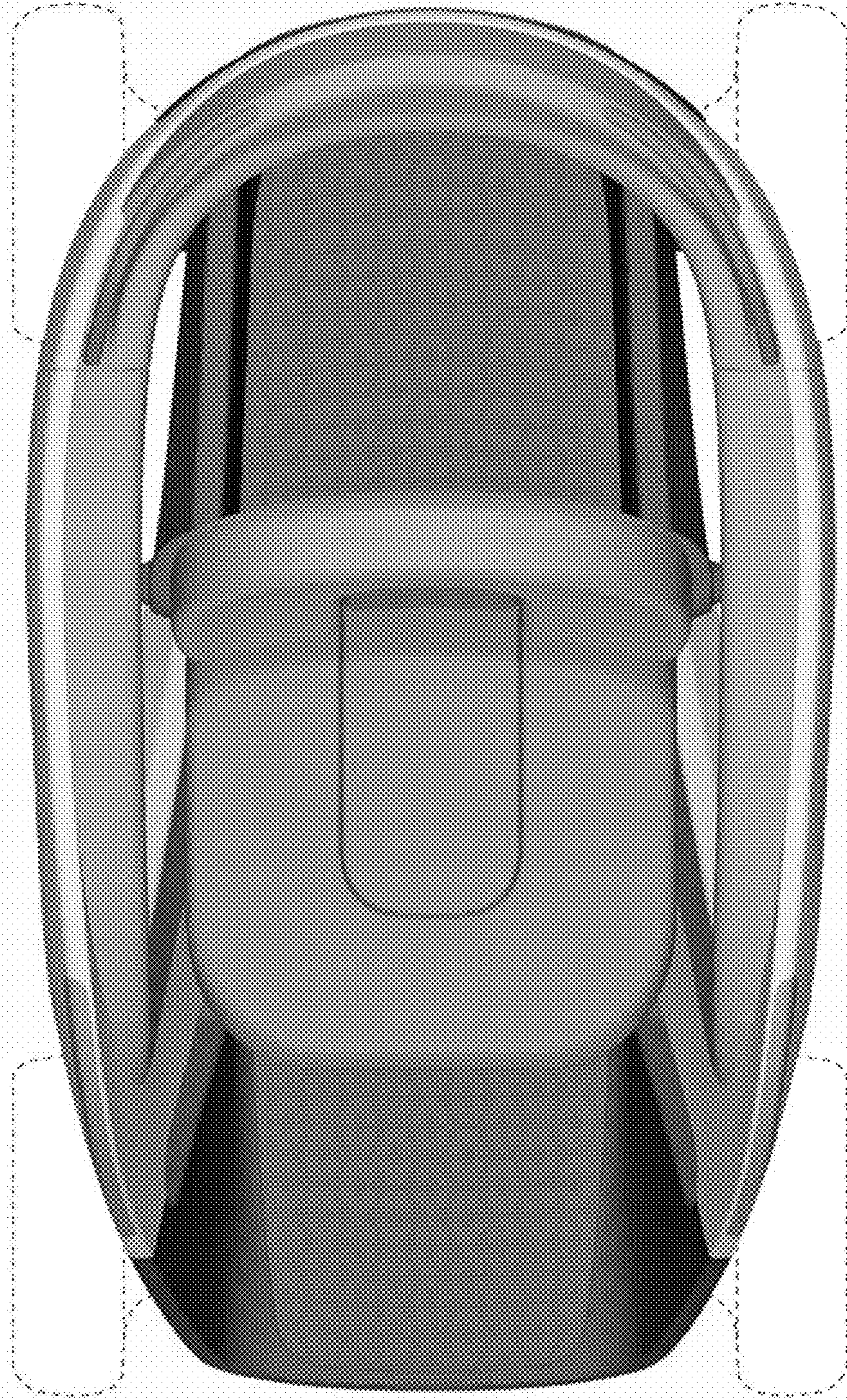
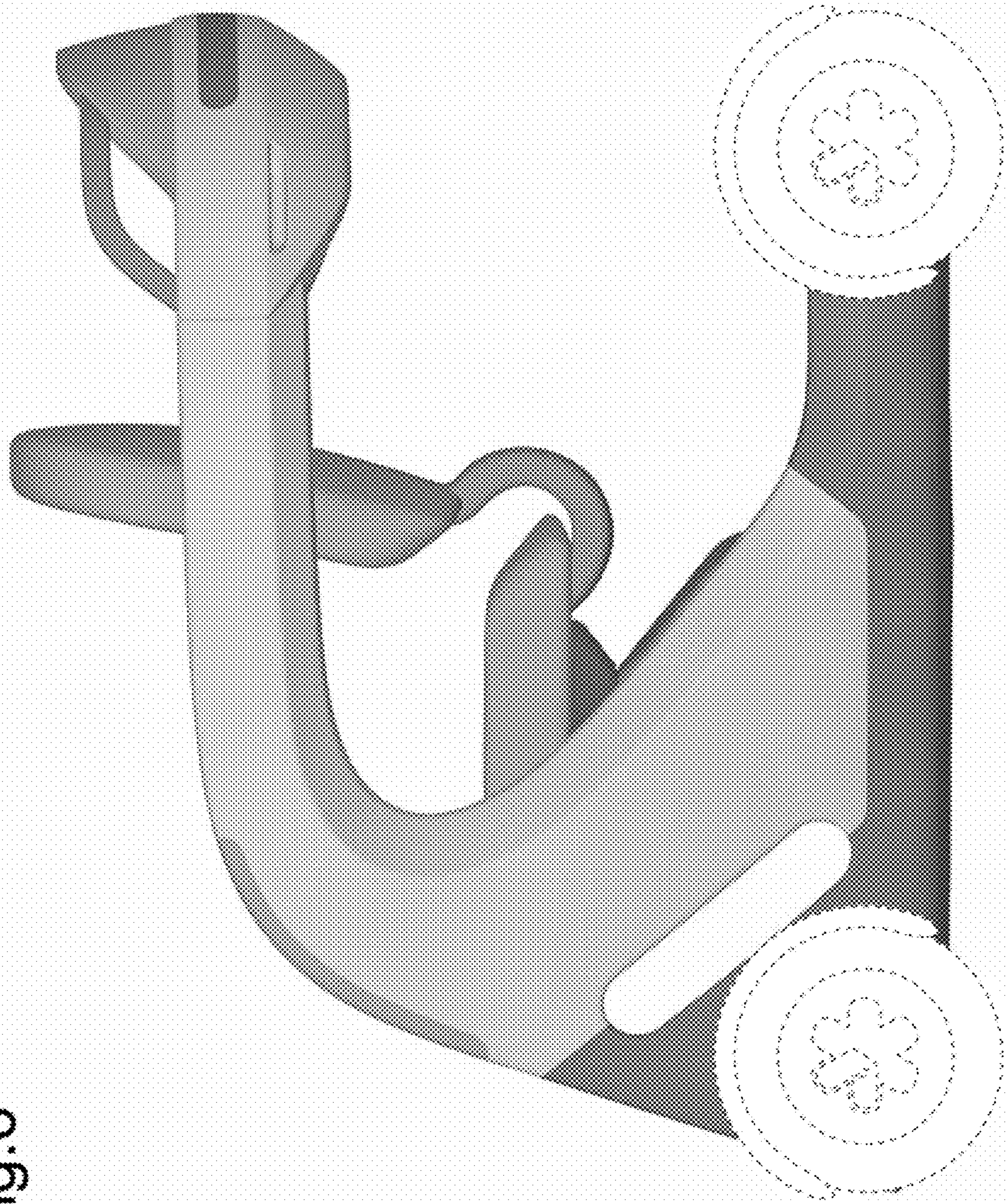


Fig.5

Fig.6



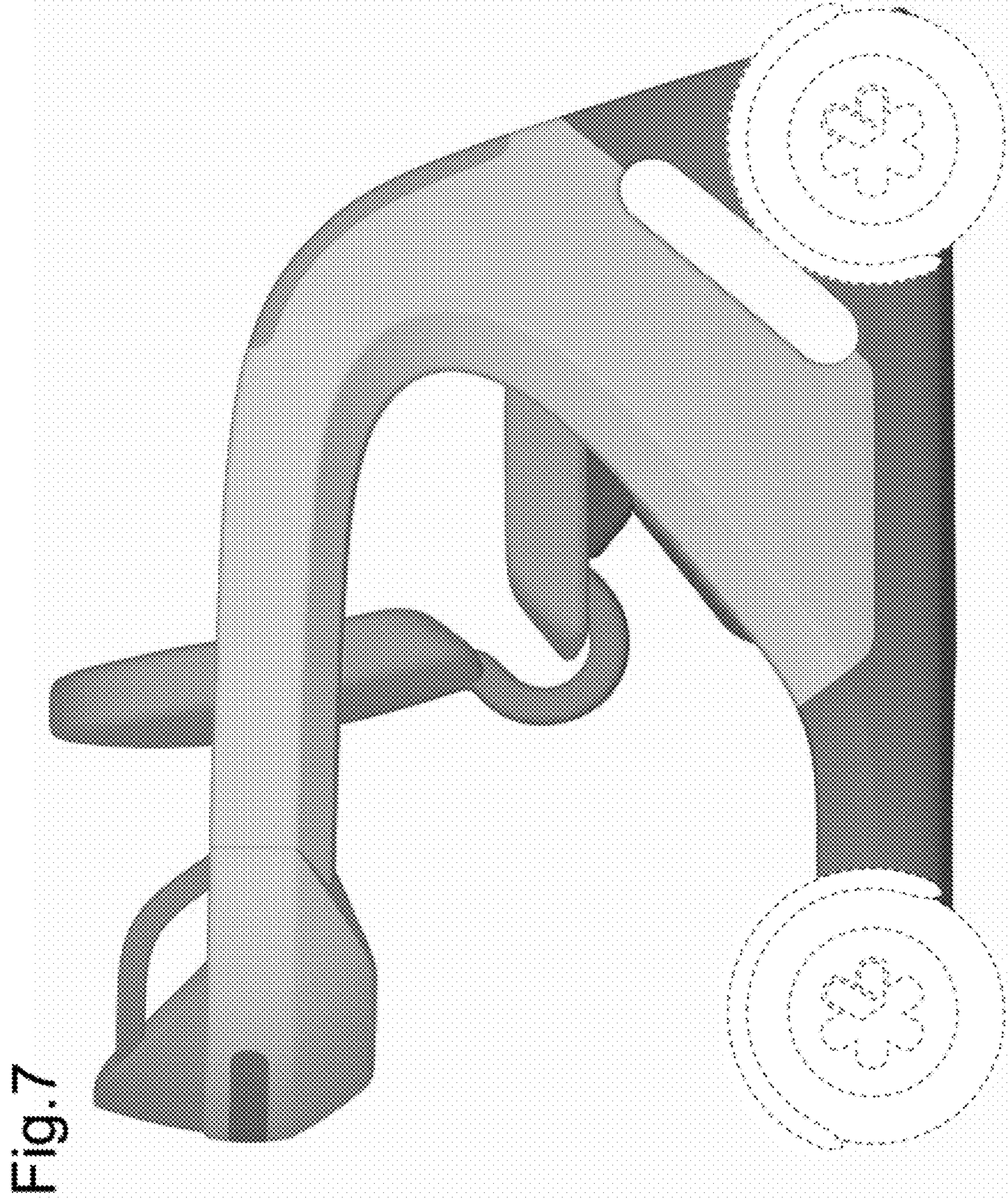


Fig. 7