



US00D867935S

(12) **United States Design Patent** (10) **Patent No.:** **US D867,935 S**
Kiehne (45) **Date of Patent:** **** Nov. 26, 2019**

(54) **HITCH COVER**

D688,171 S * 8/2013 Cirino D12/162
D824,810 S * 8/2018 Koo D12/162

(71) Applicant: **Jeff Kiehne**, Rio Rancho, NM (US)

* cited by examiner

(72) Inventor: **Jeff Kiehne**, Rio Rancho, NM (US)

Primary Examiner — Abraham Bahta

(**) Term: **15 Years**

(57) **CLAIM**

(21) Appl. No.: **29/658,457**

The ornamental design for a hitch cover, as shown and described.

(22) Filed: **Jul. 31, 2018**

DESCRIPTION

(51) **LOC (12) Cl.** **12-10**

(52) **U.S. Cl.**

USPC **D12/106**

(58) **Field of Classification Search**

USPC D12/160–162, 100–106, 129, 111–112,
D12/159; D21/425, 435; D34/21–26, 12,
D34/16–19; 280/406.2, 407, 407.1, 408,
280/411.1, 434, 441.1, 455.1; 224/42.12,
224/42.14, 42.26, 400, 401, 412–413,
224/500–501

CPC . B60D 1/60; B60D 1/00; B60D 1/065; B60D
1/605

See application file for complete search history.

FIG. 1 is a front, top, right, perspective view of a hitch cover showing my new design;
FIG. 2 is a front, top, left, perspective view thereof;
FIG. 3 is a front, bottom, right, perspective view thereof;
FIG. 4 is a front, bottom, left, perspective view thereof;
FIG. 5 is a back, top, right, perspective view thereof;
FIG. 6 is a back, top, left, perspective view thereof;
FIG. 7 is a back, bottom, right, perspective view thereof;
FIG. 8 is a back, bottom, left perspective view thereof;
FIG. 9 is a front side view thereof;
FIG. 10 is a back side view thereof;
FIG. 11 is a right side view thereof;
FIG. 12 is a left side view thereof;
FIG. 13 is a top view thereof; and,
FIG. 14 is a bottom view thereof.

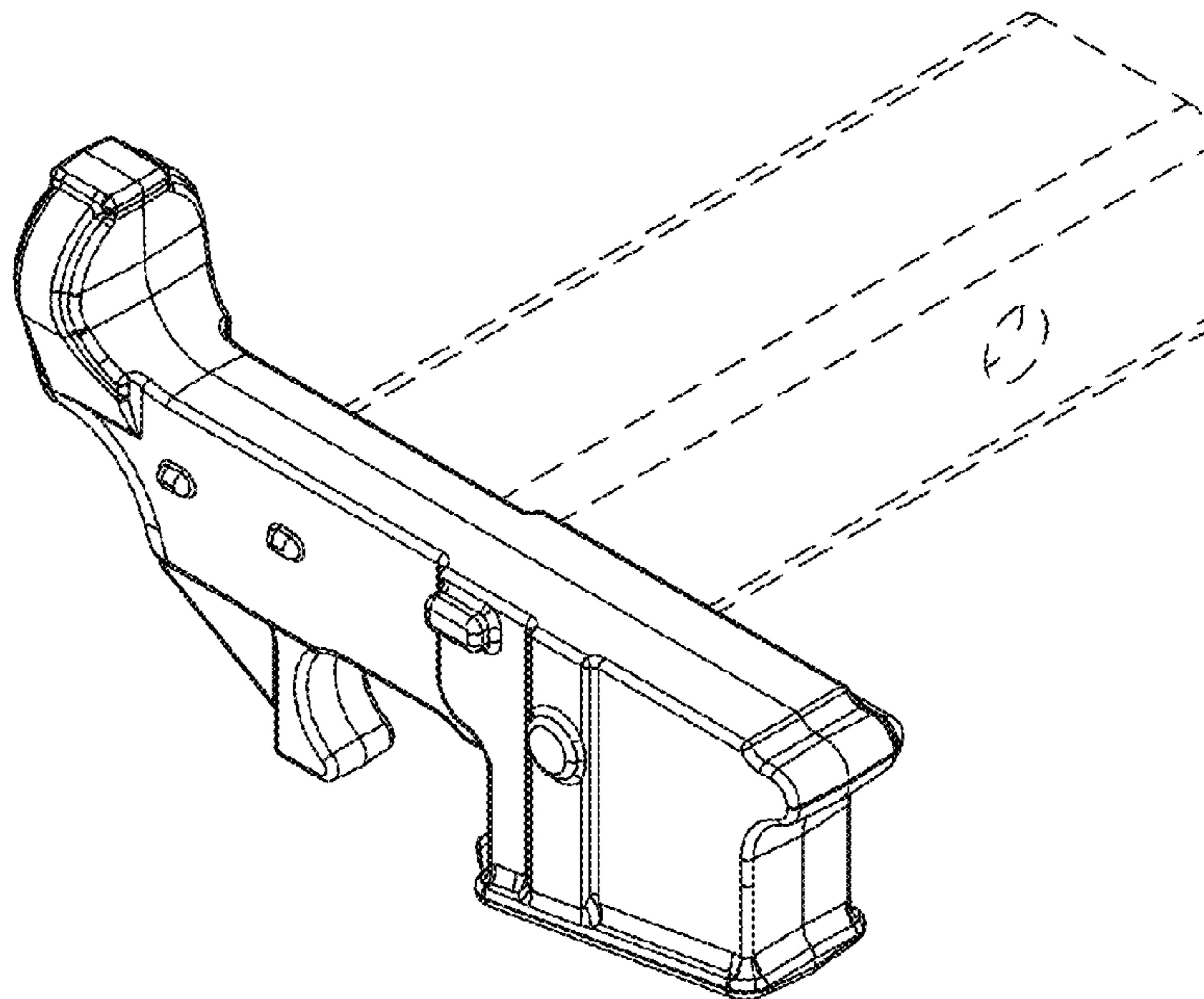
The broken lines in the drawings illustrate portions of the hitch cover which form no part of the claimed design.

(56) **References Cited**

U.S. PATENT DOCUMENTS

D662,012 S * 6/2012 Gugino D12/162

1 Claim, 14 Drawing Sheets



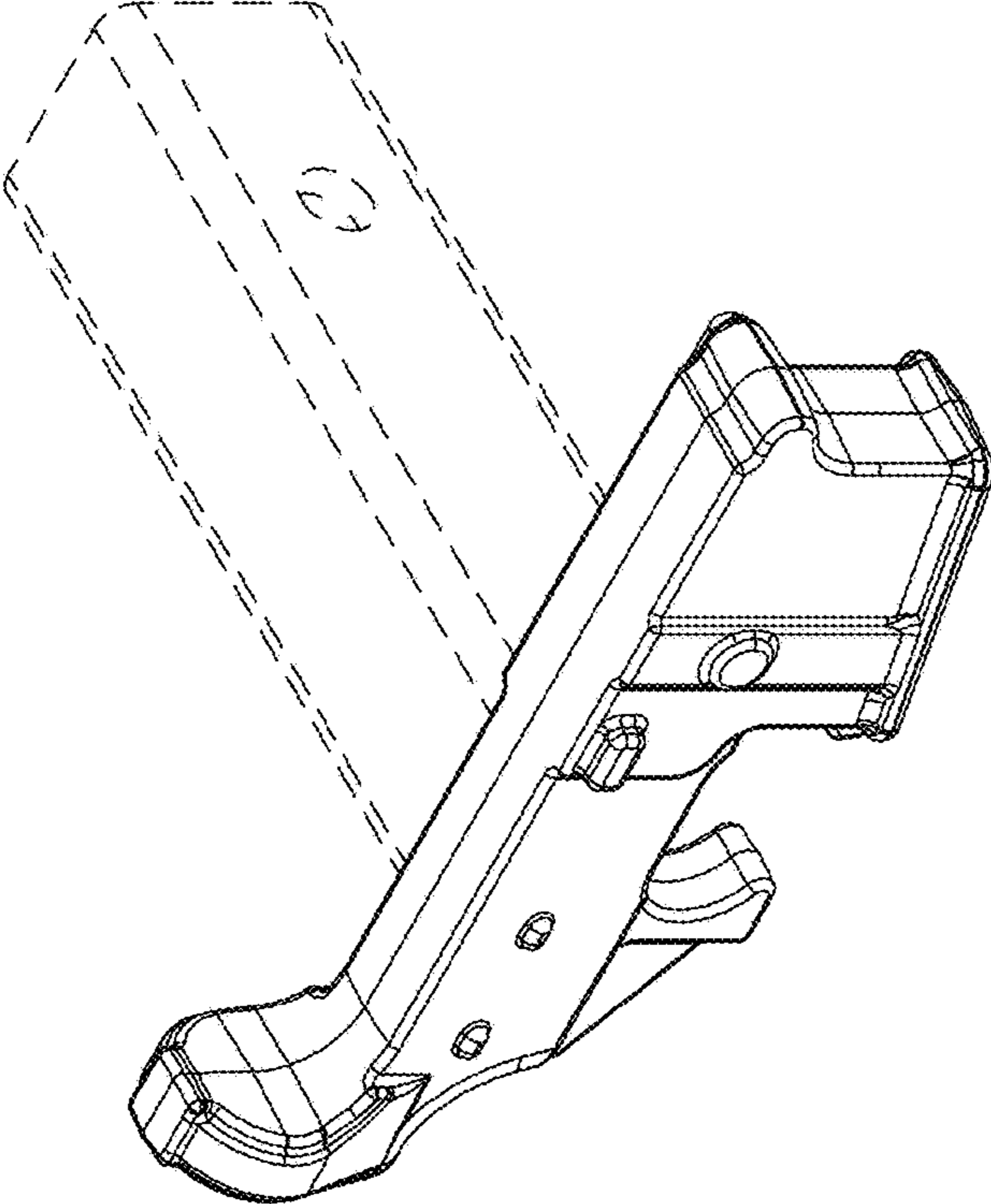


FIG. 1

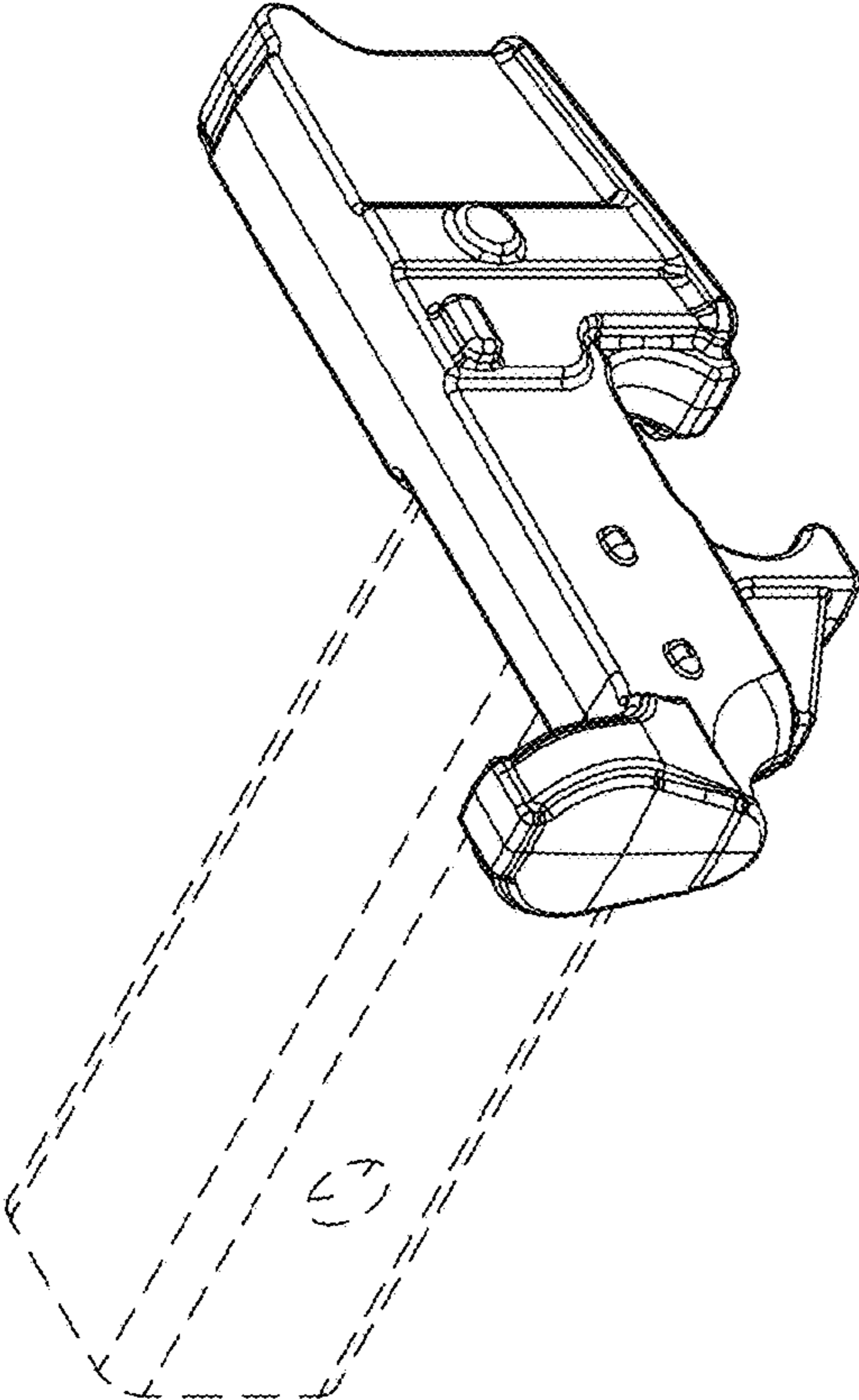


FIG. 2

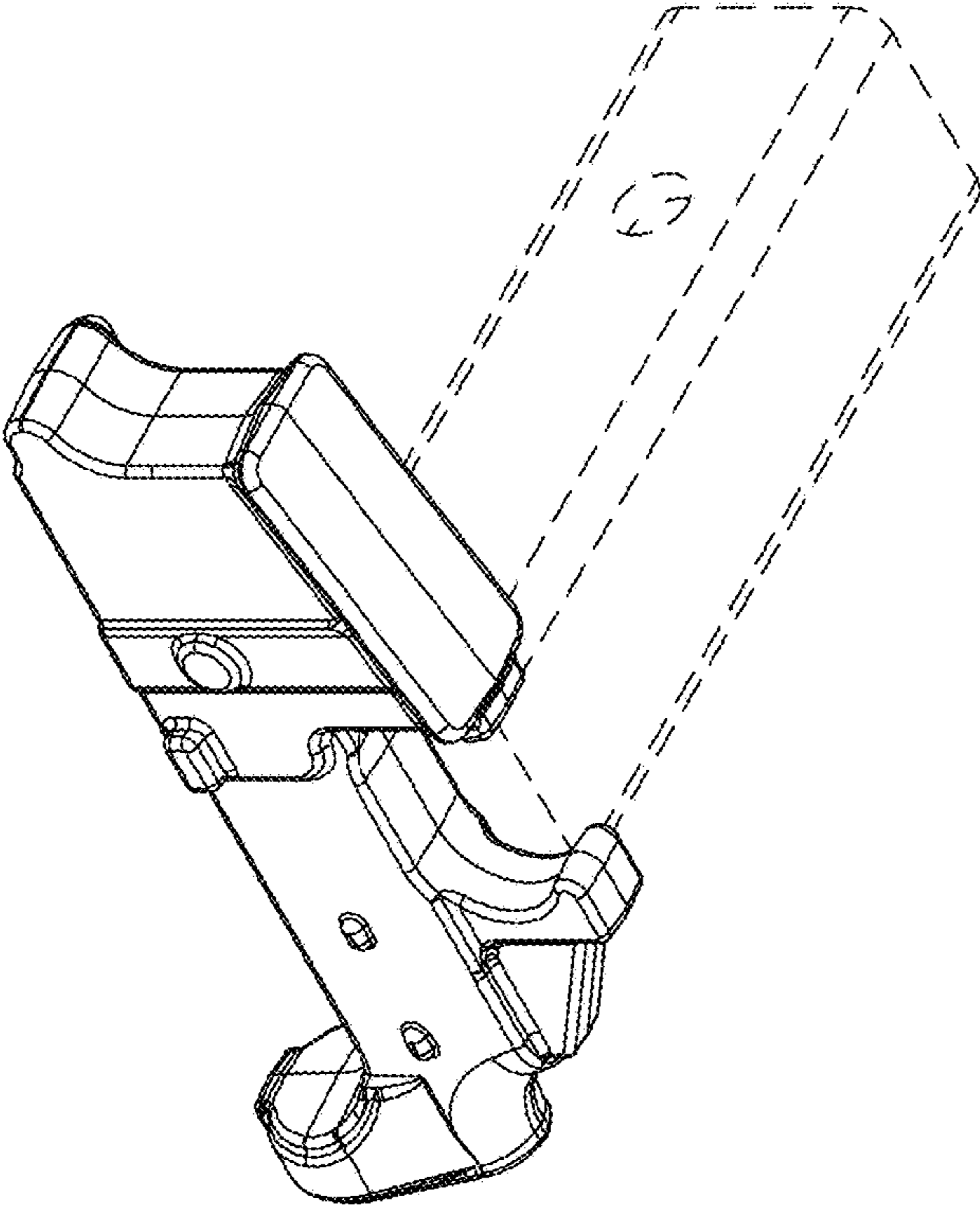


FIG. 3

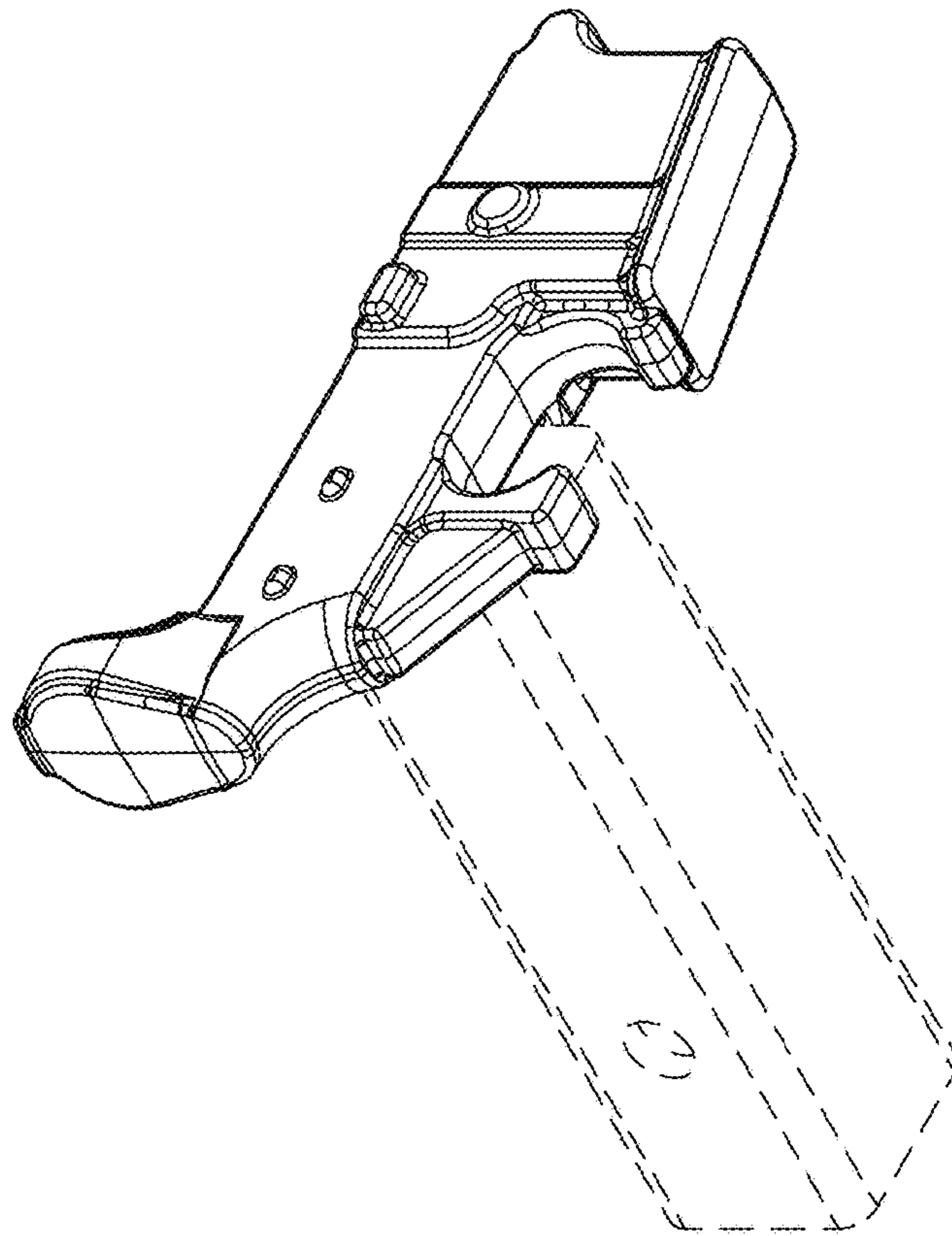


FIG. 4

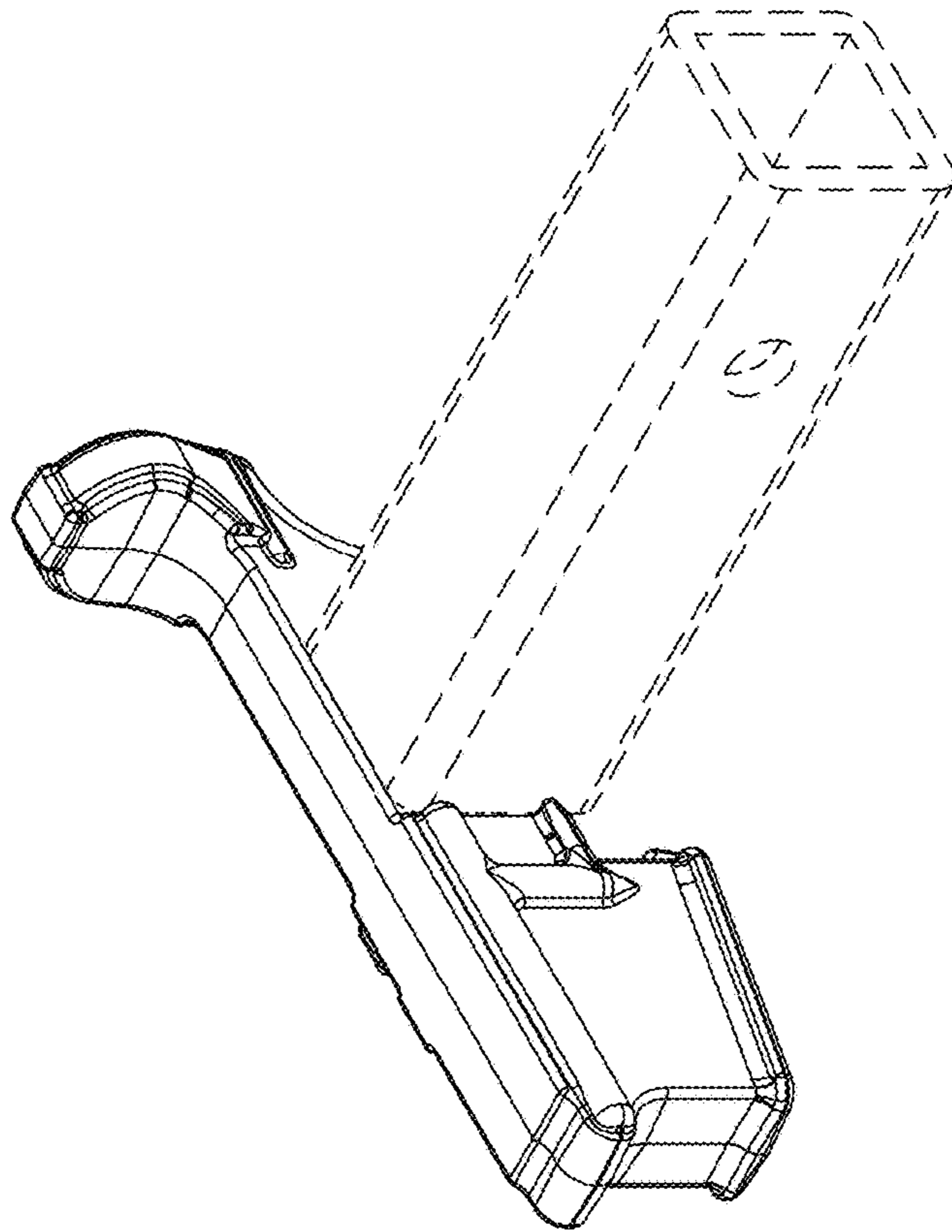


FIG. 5

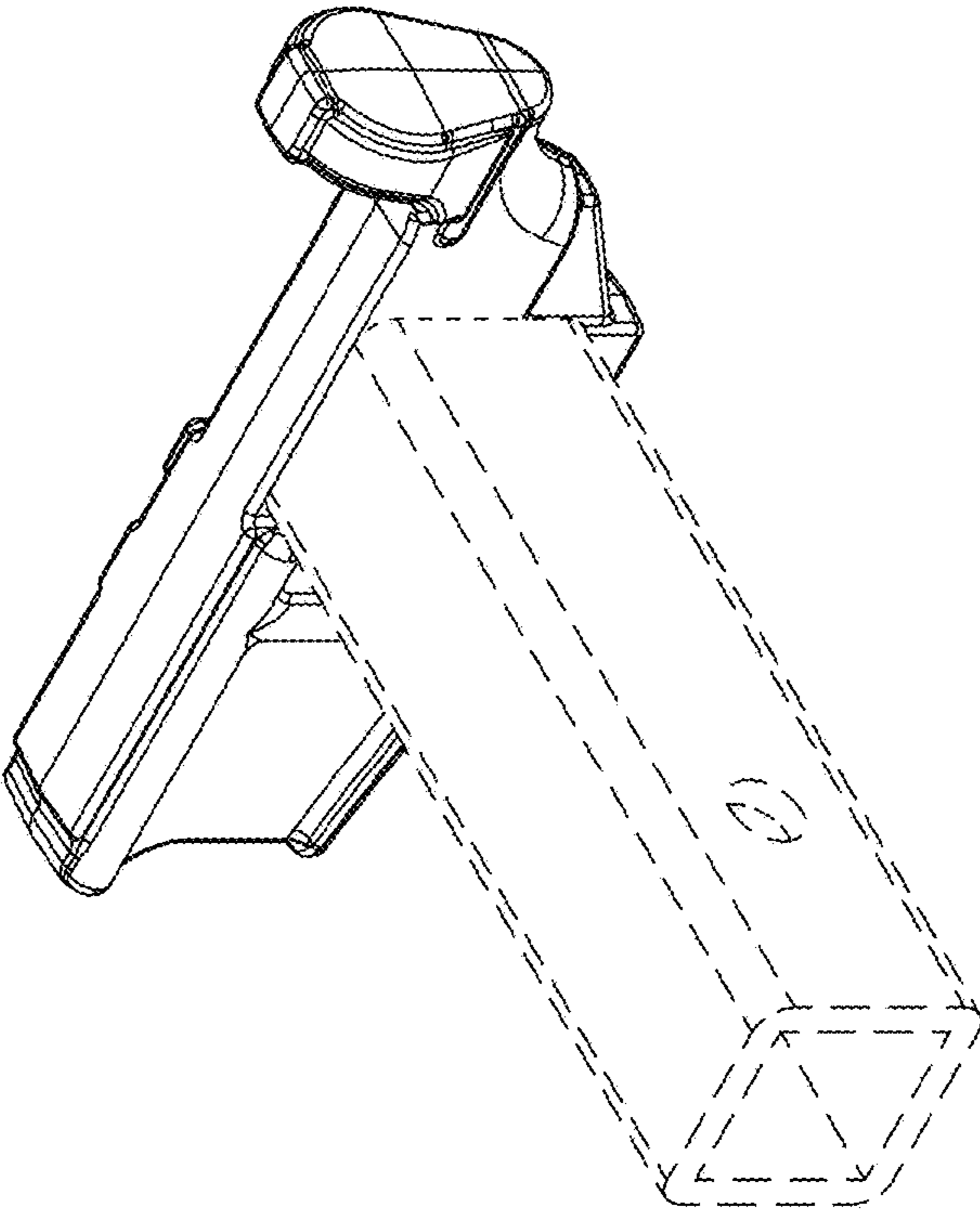


FIG. 6

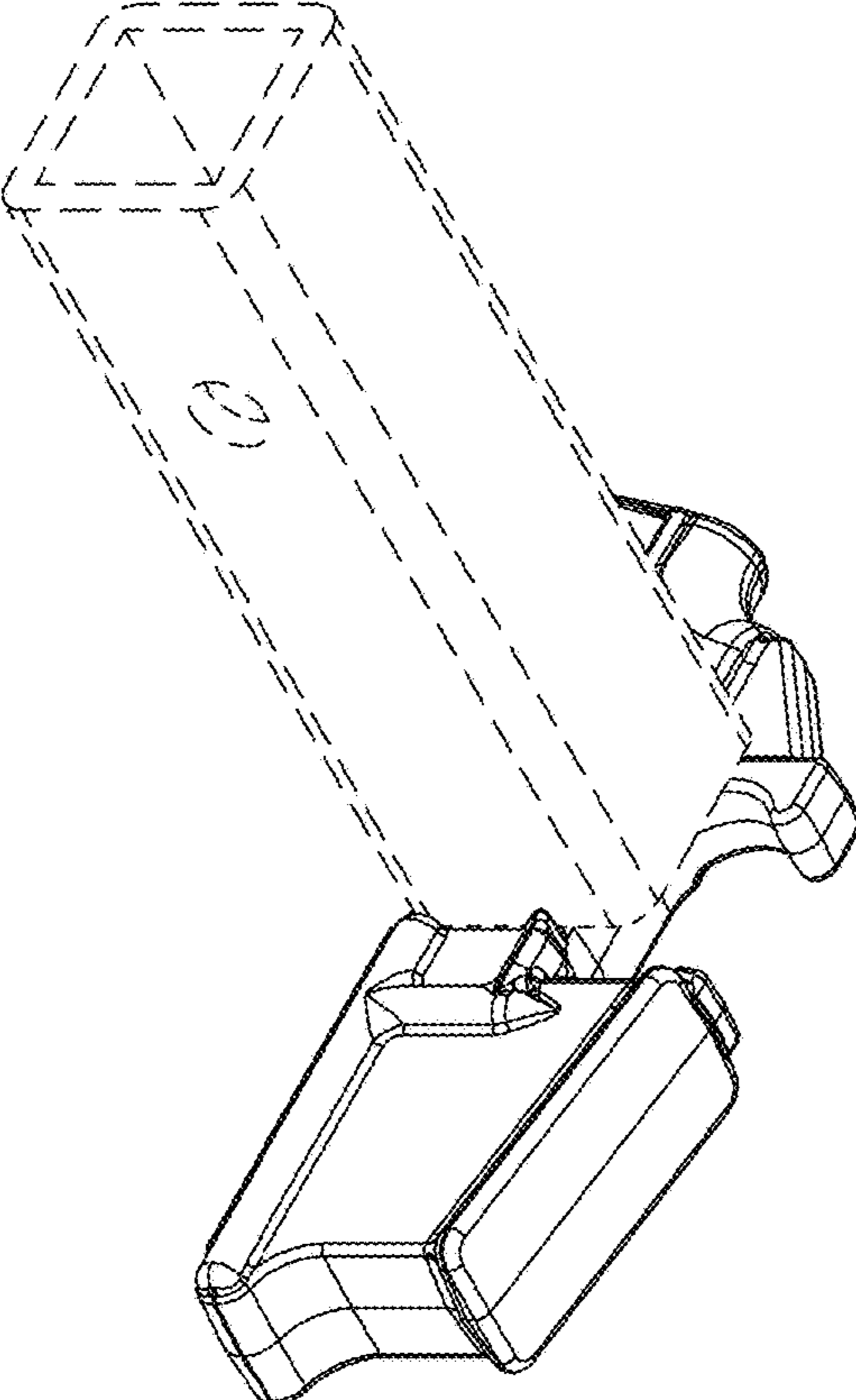


FIG. 7

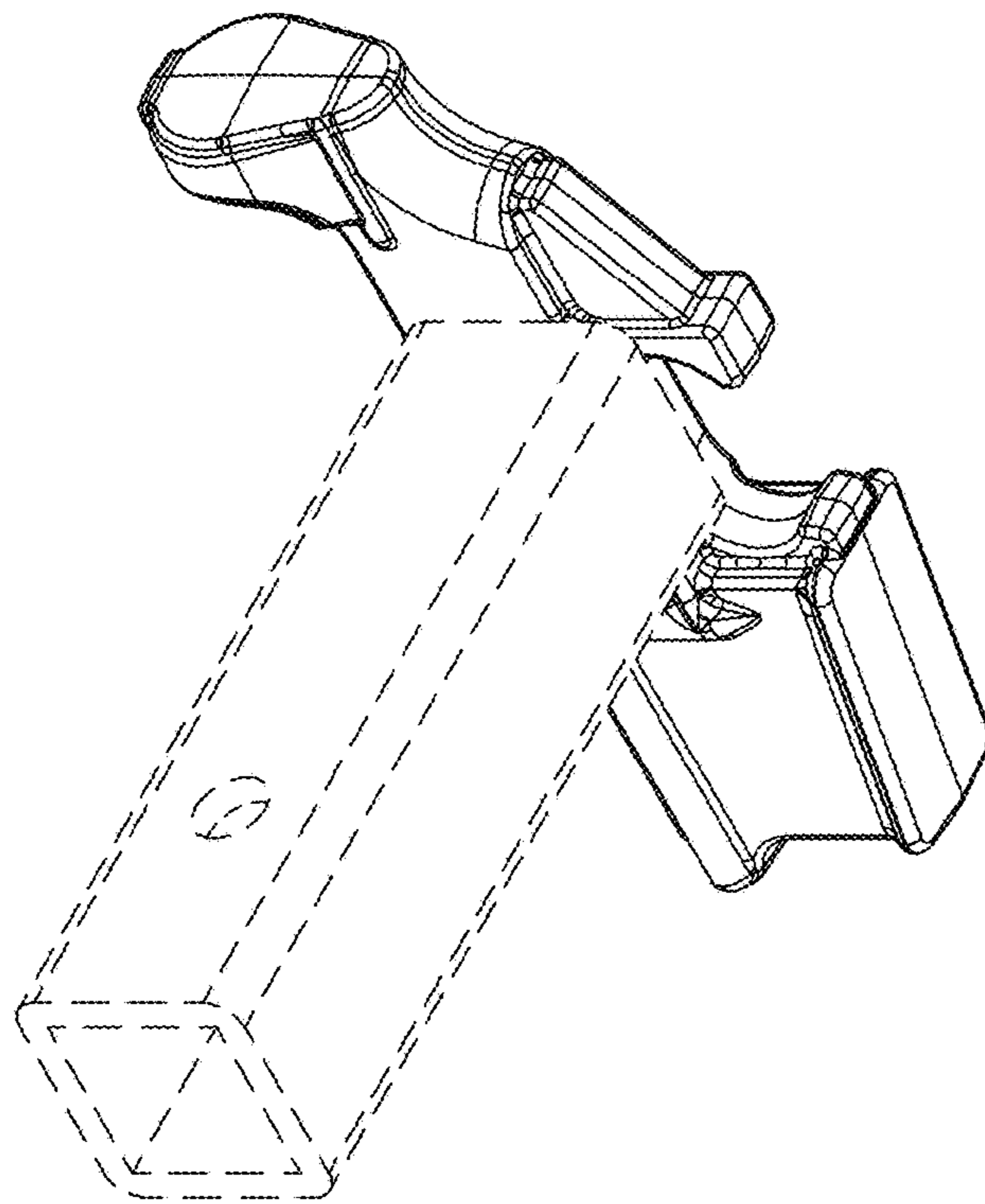


FIG. 8

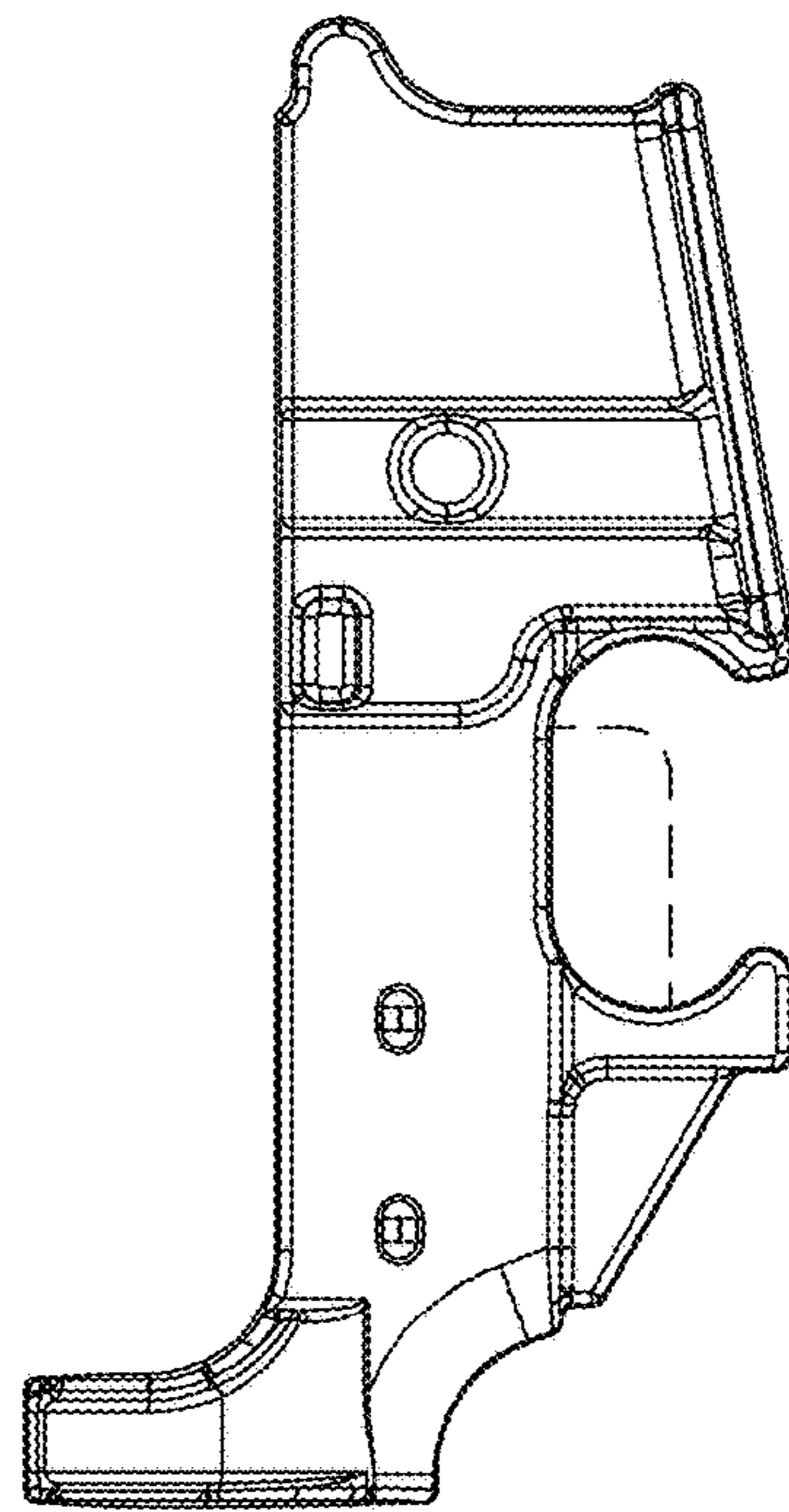


FIG. 9

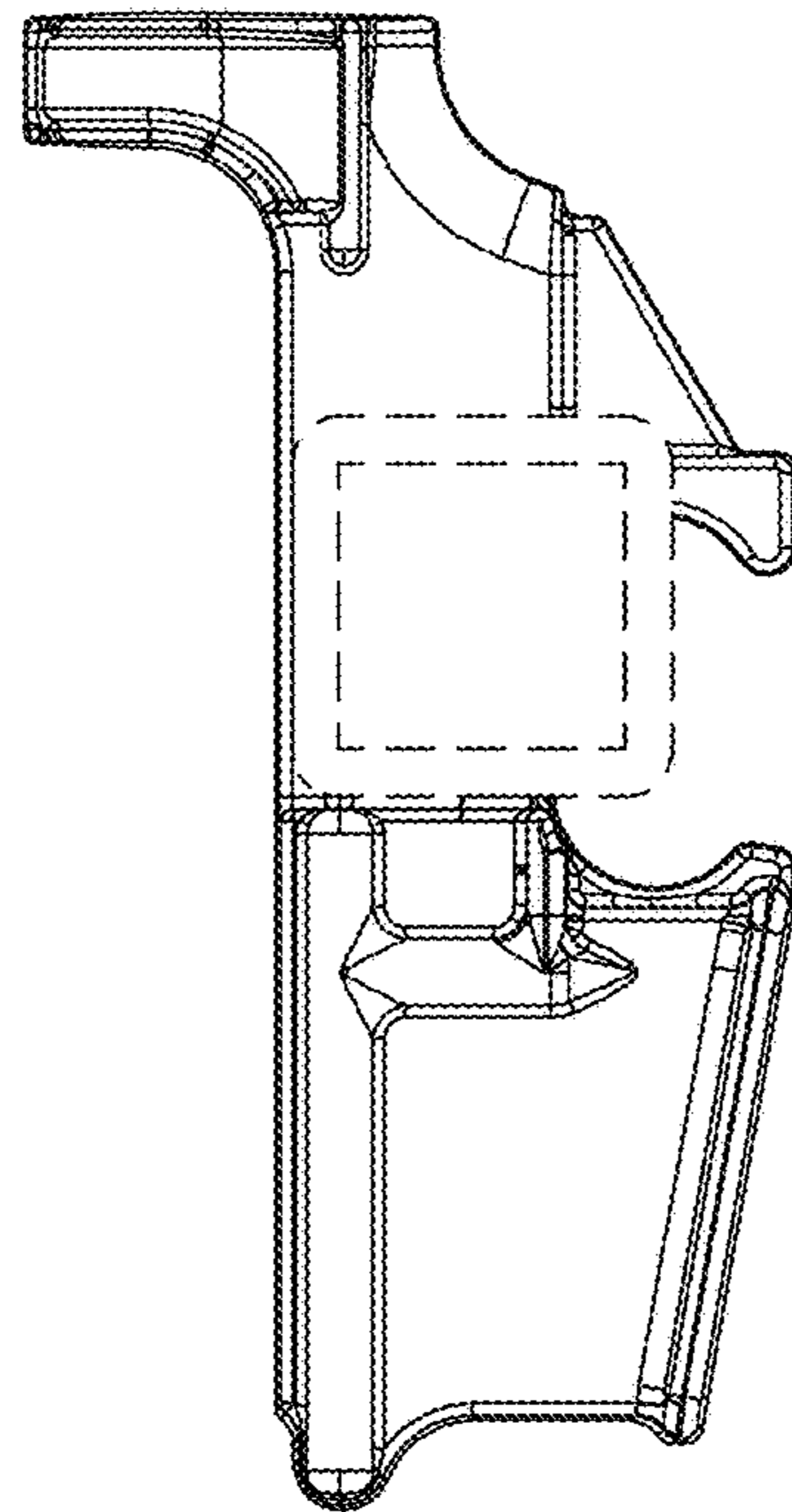


FIG. 10

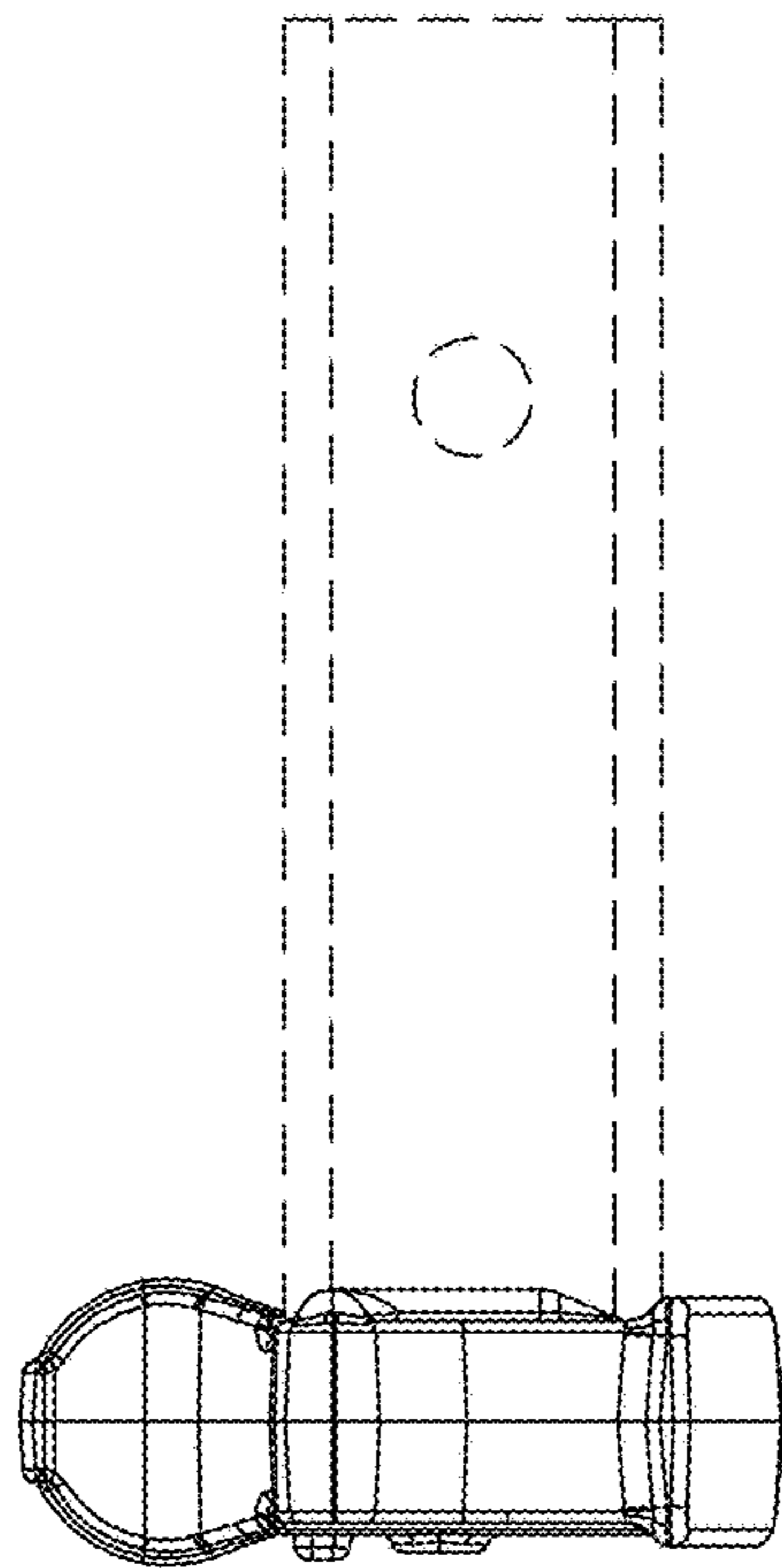


FIG. 11

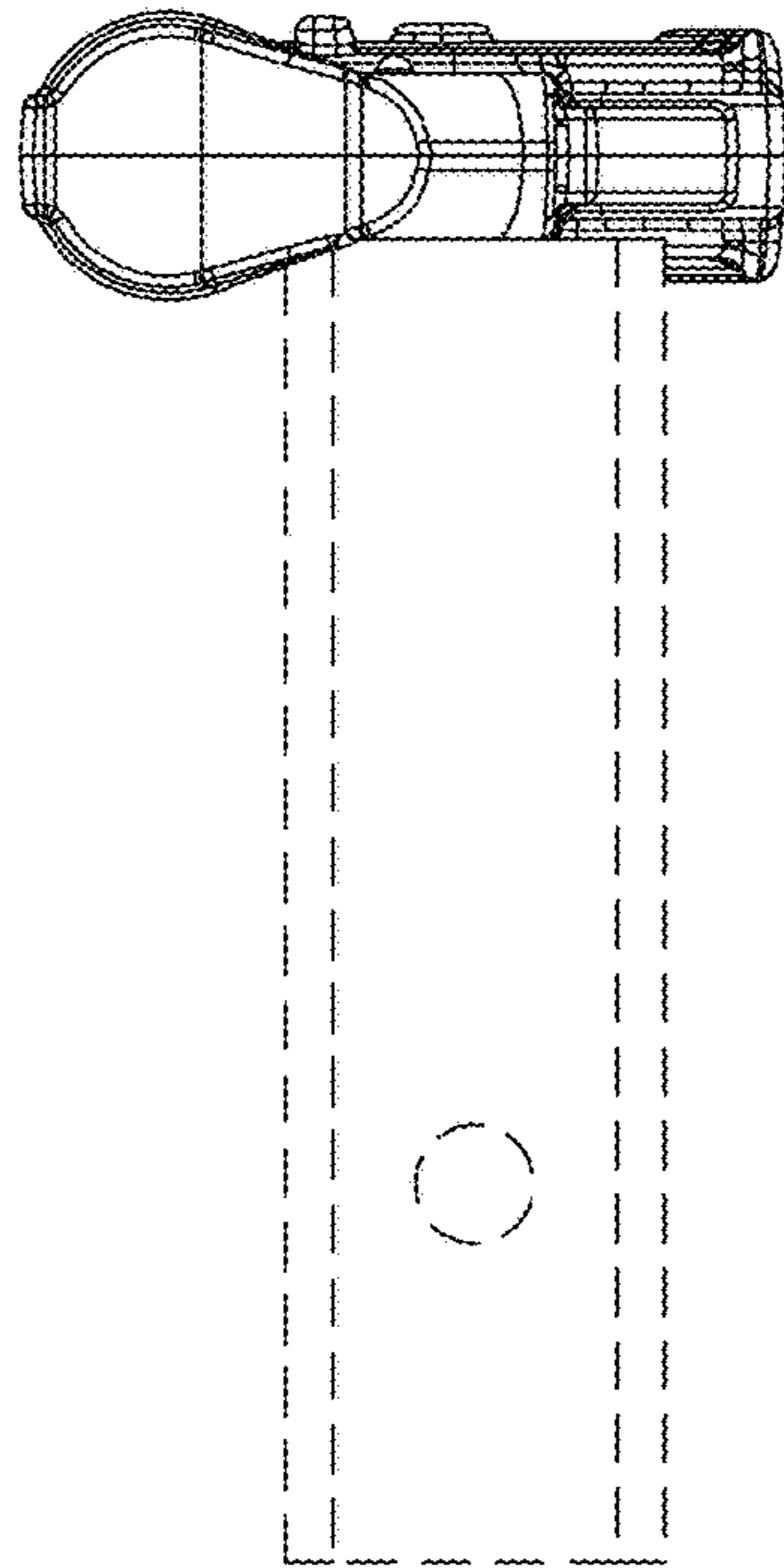


FIG. 12

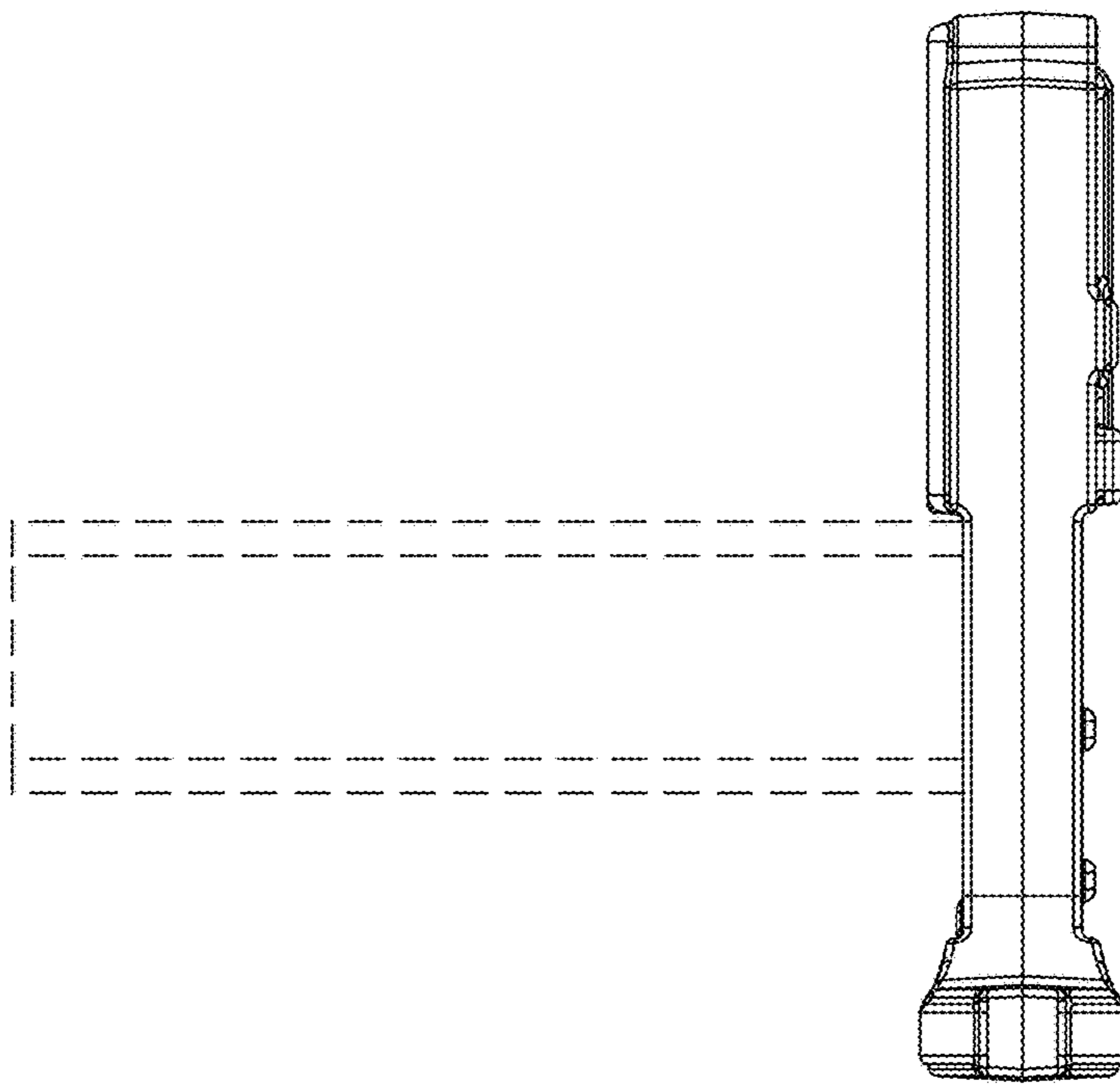


FIG. 13

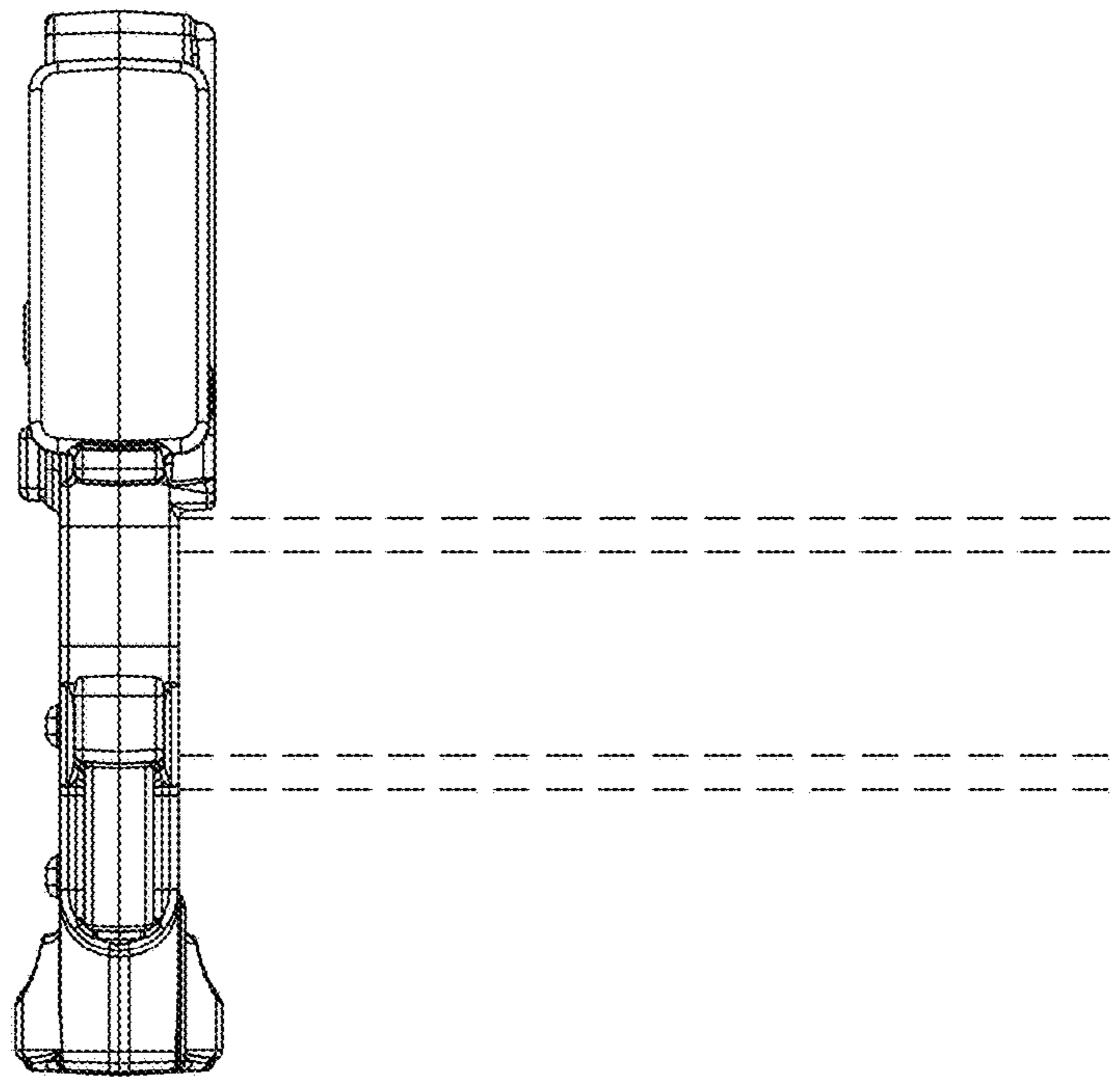


FIG. 14