

US00D867934S

(12) **United States Design Patent**  
**Gaesser**

(10) **Patent No.:** **US D867,934 S**

(45) **Date of Patent:** **\*\* Nov. 26, 2019**

(54) **VEHICLE TRAILER BODY**

(71) Applicant: **Peter P Gaesser**, Fayetteville, GA (US)

(72) Inventor: **Peter P Gaesser**, Fayetteville, GA (US)

(\*\*) Term: **15 Years**

(21) Appl. No.: **29/636,245**

(22) Filed: **Feb. 7, 2018**

(51) **LOC (12) Cl.** ..... **12-16**

(52) **U.S. Cl.**  
USPC ..... **D12/103**

(58) **Field of Classification Search**  
USPC ..... D12/19, 129, 100–106, 111–112;  
D21/425, 435; D34/21–26, 12, 16–19  
CPC .. B62D 35/00; B62D 33/077; B62D 33/0612;  
B62D 24/04; B60P 3/10; B60P 3/1033;  
B60P 3/0257; B60P 3/38; B60P 3/34;  
E01F 15/14

See application file for complete search history.

(56) **References Cited**

**U.S. PATENT DOCUMENTS**

D392,921 S	*	3/1998	McCloud	.....	D12/103
D458,190 S	*	6/2002	LeDonne	.....	D12/102
D522,922 S	*	6/2006	Swails	.....	D12/103
D542,185 S	*	5/2007	Remington	.....	D12/103
D568,793 S	*	5/2008	Oliver	.....	D12/103
D577,315 S	*	9/2008	Parker		
D589,847 S	*	4/2009	Sasnoswki	.....	D12/102

D610,489 S	*	2/2010	Rodabaugh	.....	D12/102
D617,685 S	*	6/2010	Rodabaugh	.....	D12/103
D653,588 S		2/2012	Heard		
D662,444 S		6/2012	Smoak et al.		
D759,547 S		6/2016	Van Wyk		
D826,787 S	*	8/2018	Goral	.....	D12/103
D852,676 S	*	7/2019	Roberts	.....	D12/103
D854,452 S	*	7/2019	Roberts	.....	D12/103
D854,453 S	*	7/2019	Roberts	.....	D12/103

\* cited by examiner

*Primary Examiner* — Katrina A Betton

(74) *Attorney, Agent, or Firm* — J.T. Hollin Attorney at Law, P.C.

(57) **CLAIM**

I claim the ornamental design for a vehicle trailer body, as shown and described.

**DESCRIPTION**

FIG. 1 is a perspective view of the design of the front and left side of the vehicle trailer body.

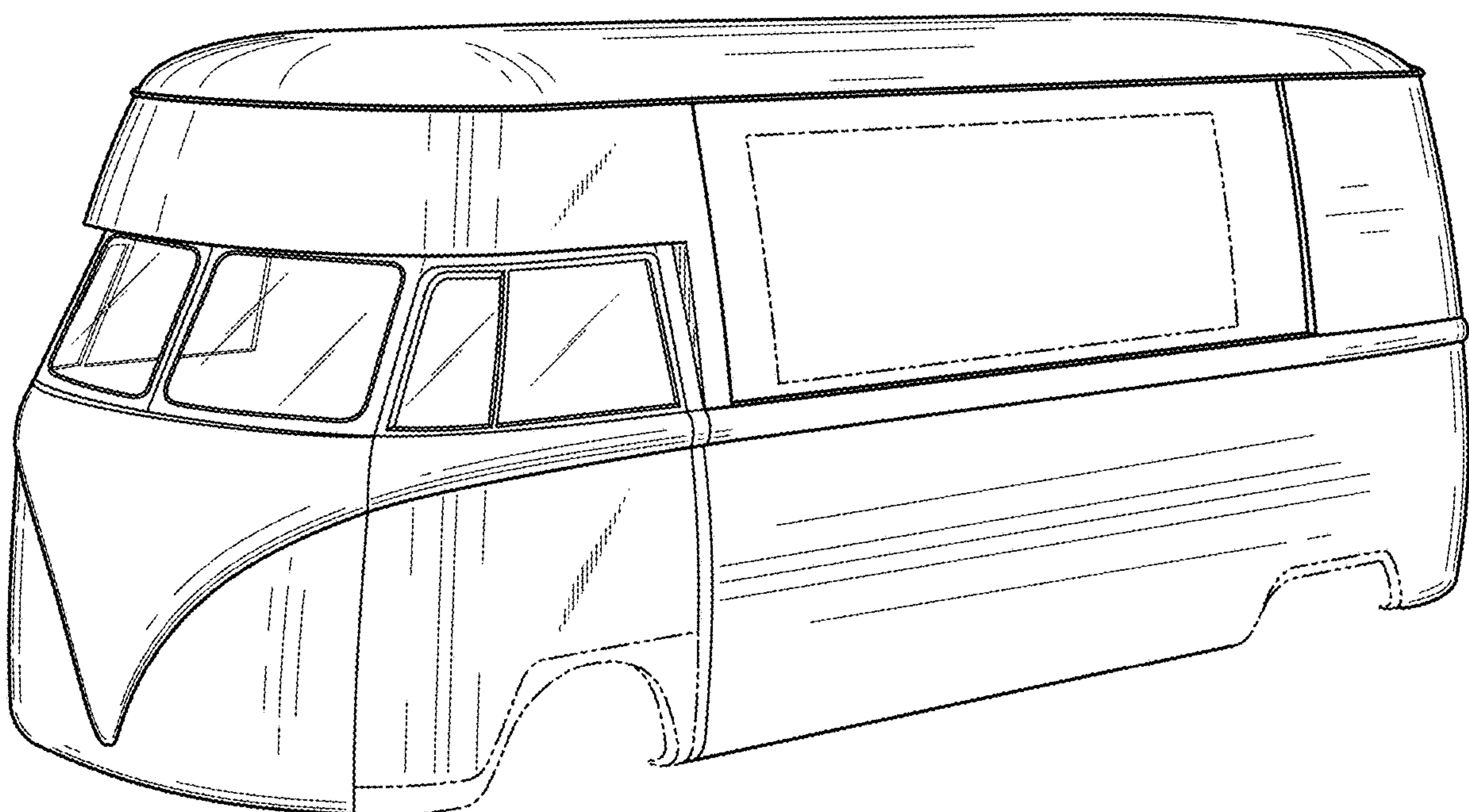
FIG. 2 is a direct elevation view of the front of the vehicle trailer body.

FIG. 3 presents a direct elevation view of the rear of the vehicle trailer body; and,

FIG. 4 is an elevation view of the right side the vehicle trailer body.

In the drawings presented, it will be understood that the broken lines are for illustration only, and do not form a part of the claimed design.

**1 Claim, 4 Drawing Sheets**



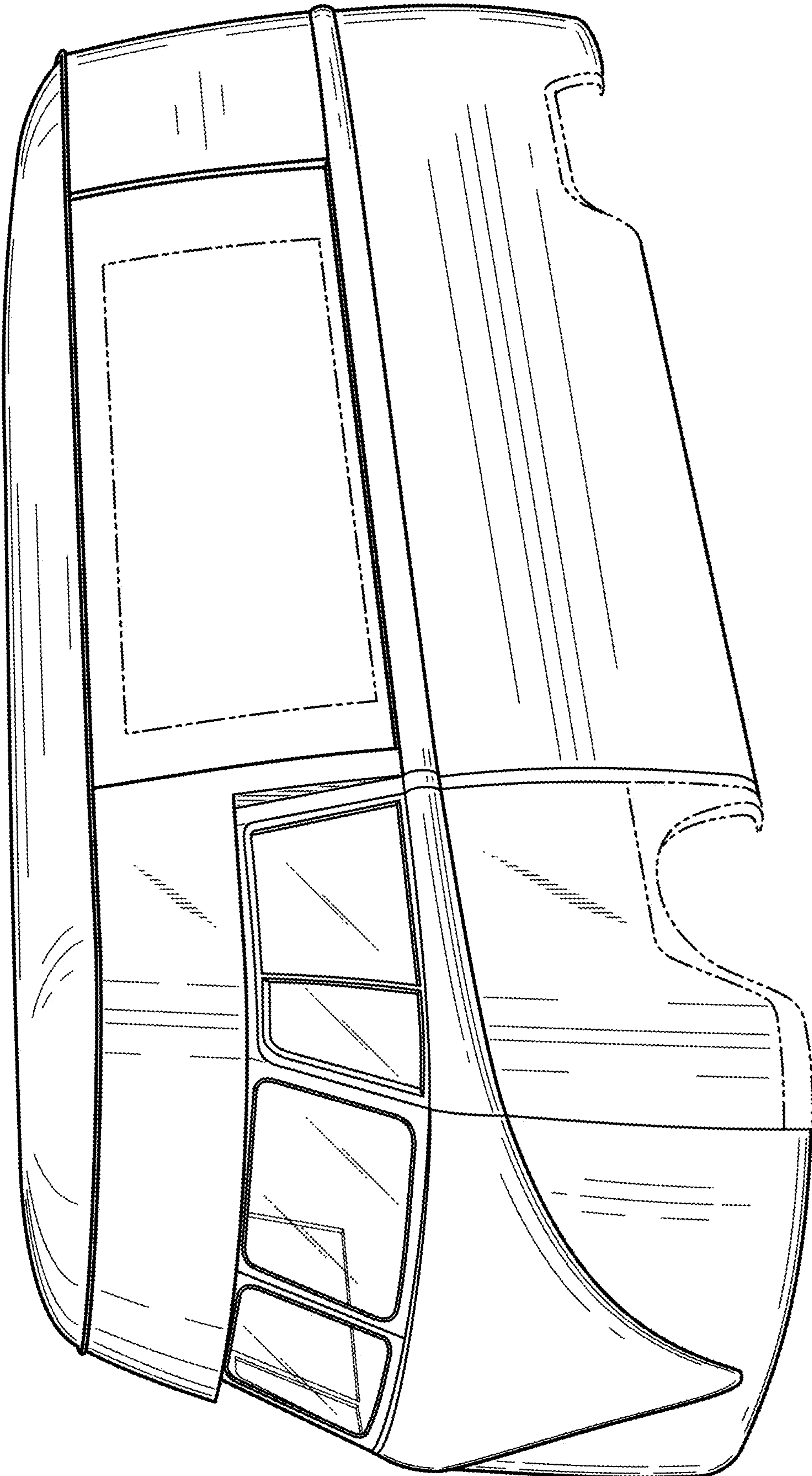


FIG. 1

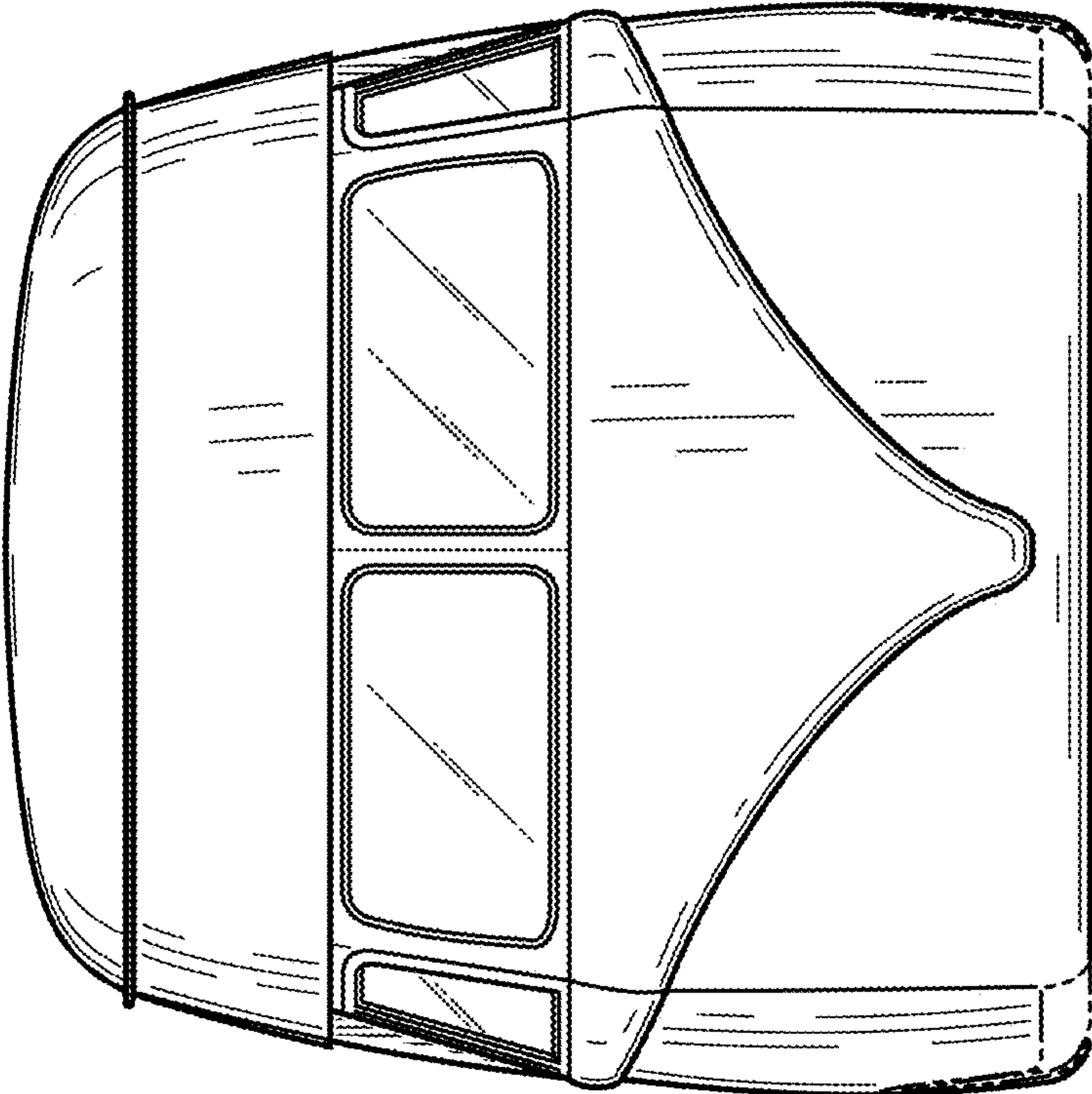


FIG. 2



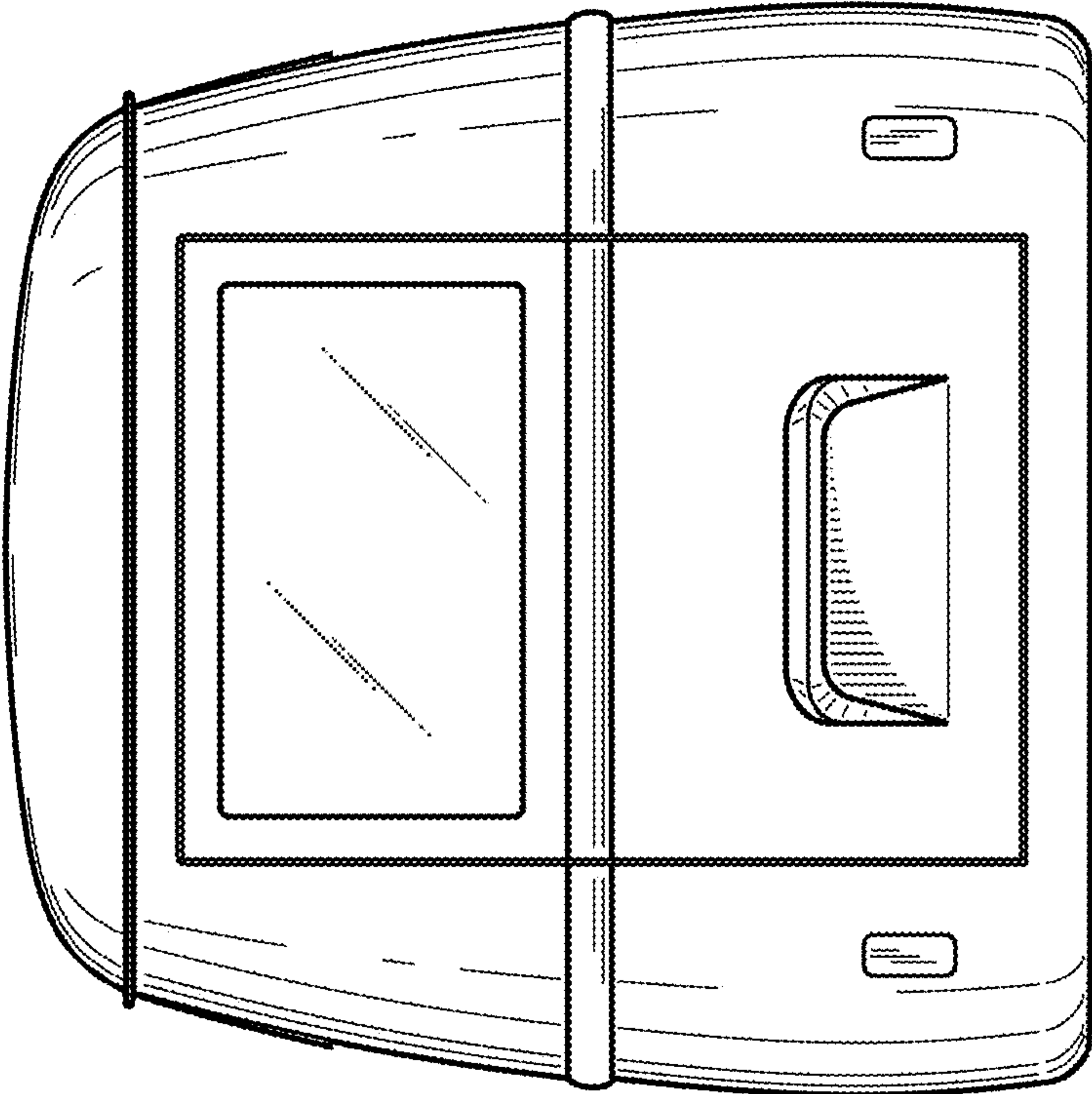


FIG. 3

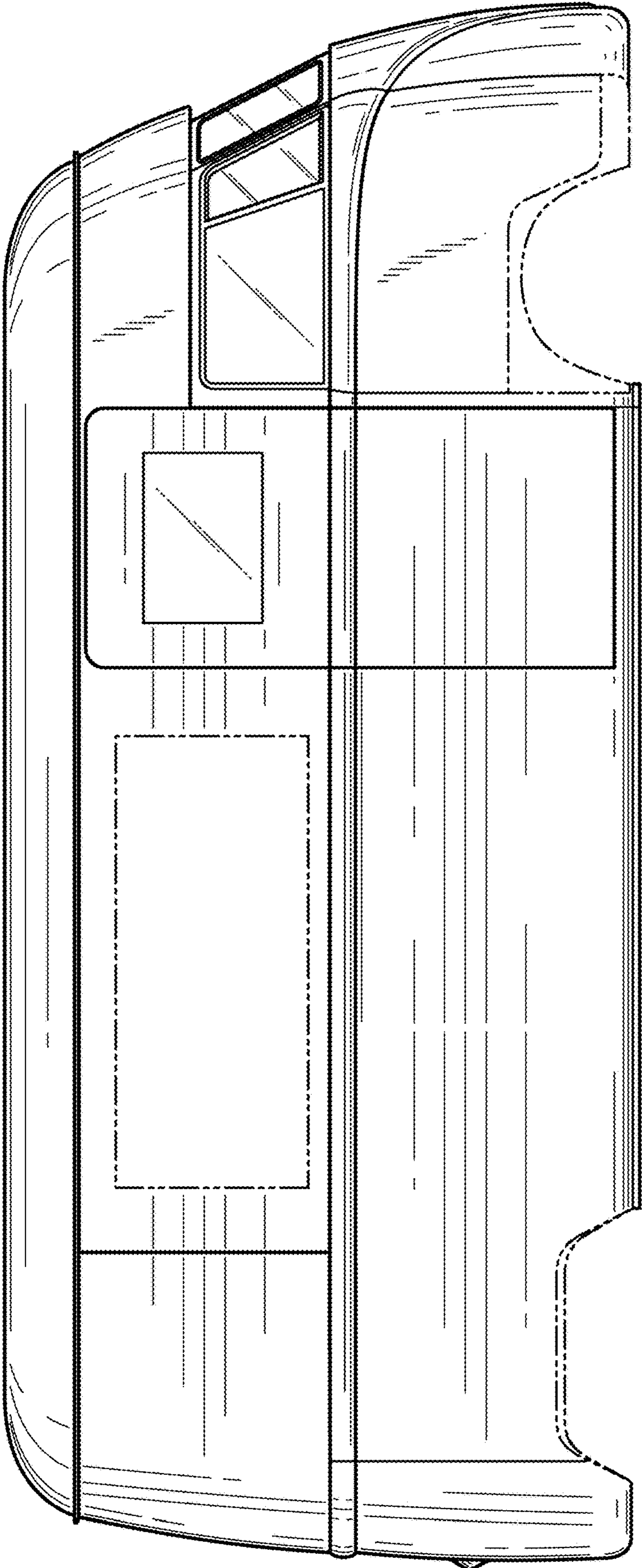


FIG. 4