



US00D867932S

(12) **United States Design Patent** (10) **Patent No.:** **US D867,932 S**
Yamashita (45) **Date of Patent:** **** Nov. 26, 2019**

(54) **MOTOR VEHICLE, TOY AND/OR REPLICA**

(71) Applicant: **Dr. Ing. h.c. F. Porsche**
Aktiengesellschaft, Stuttgart (DE)

(72) Inventor: **Shuichi Yamashita, Gerlingen (DE)**

(73) Assignee: **Dr. Ing. h.c. F. Porsche**
Aktiengesellschaft (DE)

(**) Term: **15 Years**

(21) Appl. No.: **29/676,942**

(22) Filed: **Jan. 16, 2019**

Related U.S. Application Data

(63) Continuation of application No. 29/653,666, filed on Jun. 18, 2018, now abandoned, which is a continuation of application No. 29/592,896, filed on Feb. 3, 2017, now abandoned.

Foreign Application Priority Data

(30) Aug. 4, 2016 (DE) 40 2016 100 974

(51) **LOC (12) Cl.** **12-08**

(52) **U.S. Cl.**
USPC **D12/92**

(58) **Field of Classification Search**
USPC D12/86, 90-92; D21/424, 433, 434, 533;
296/181.1-181.5, 183.1
CPC B62D 25/00; B62D 25/06; B62D 33/00;
B62D 35/00
See application file for complete search history.

(56) **References Cited**

U.S. PATENT DOCUMENTS

D468,237 S 1/2003 Murkett
D537,383 S 2/2007 Kato
D588,047 S 3/2009 Kulla
D600,594 S 9/2009 Kulla

D622,184 S 8/2010 Borkert
D622,632 S 8/2010 Borkert
D649,911 S 12/2011 Okumoto
D686,531 S 7/2013 Lamm
D690,620 S 10/2013 Scheinhütte
D696,159 S 12/2013 Borkert
D697,453 S 1/2014 Borkert
D702,152 S 4/2014 Borkert
D712,790 S 9/2014 Scheinhütte
D712,791 S 9/2014 Scheinhütte
D715,196 S 10/2014 Yamashita

(Continued)

OTHER PUBLICATIONS

Design U.S. Appl. No. 29/653,666, by Yamashita, filed Jun. 18, 2018.

(Continued)

Primary Examiner — Melody N Brown

(74) *Attorney, Agent, or Firm* — RatnerPrestia

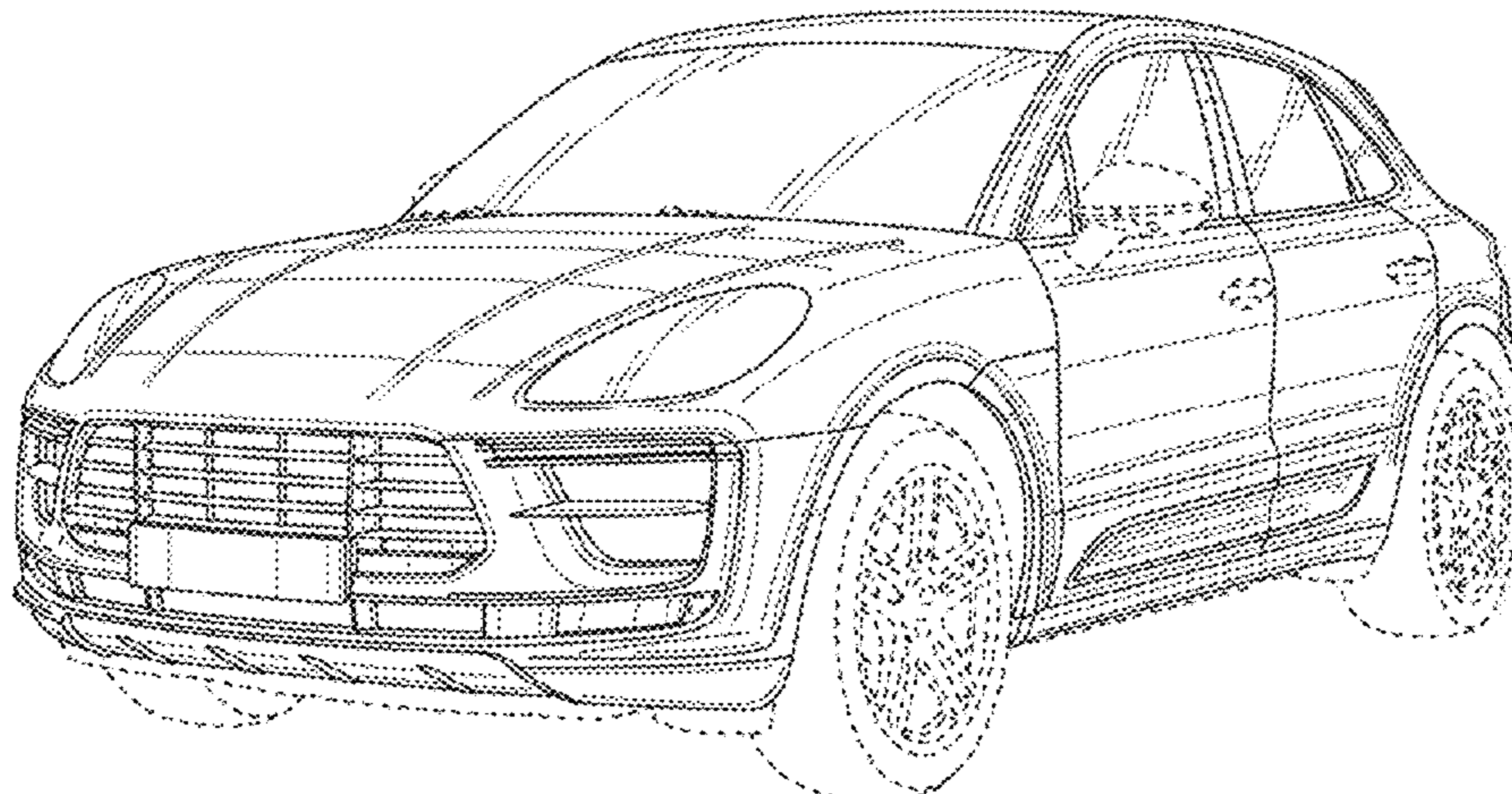
(57) **CLAIM**

The ornamental design for a motor vehicle, toy and/or replica, as shown and described.

DESCRIPTION

FIG. 1 is a front perspective view of a motor vehicle, toy and/or replica;
FIG. 2 is a rear perspective view thereof;
FIG. 3 is a front elevation view thereof;
FIG. 4 is a rear elevation view thereof;
FIG. 5 is a right side elevation view thereof, the left side elevation view being a substantial mirror image of the right side elevation view; and,
FIG. 6 is a top plan view thereof.
The broken line showing of the motor vehicle, toy and/or replica is for the purpose of illustrating portions of the motor vehicle, toy and/or replica and forms no part of the claimed design.

1 Claim, 6 Drawing Sheets



(56)

References Cited

U.S. PATENT DOCUMENTS

D756,849 S	5/2016	Garcia Lopez	
D789,251 S	6/2017	Varga	
D789,832 S	6/2017	Varga	
D790,401 S	6/2017	Scheinhütte	
D796,997 S	9/2017	Varga	
D805,432 S	12/2017	Scheinhütte	
D805,433 S	12/2017	Scheinhütte	
D824,288 S	7/2018	Hauser	
D826,781 S	8/2018	Scheinhütte	
D826,784 S	8/2018	Hauser	
D834,455 S *	8/2018	Yamashita	D12/92

OTHER PUBLICATIONS

Design U.S. Appl. No. 29/592,896, by Yamashita, filed Feb. 3, 2017.

* cited by examiner

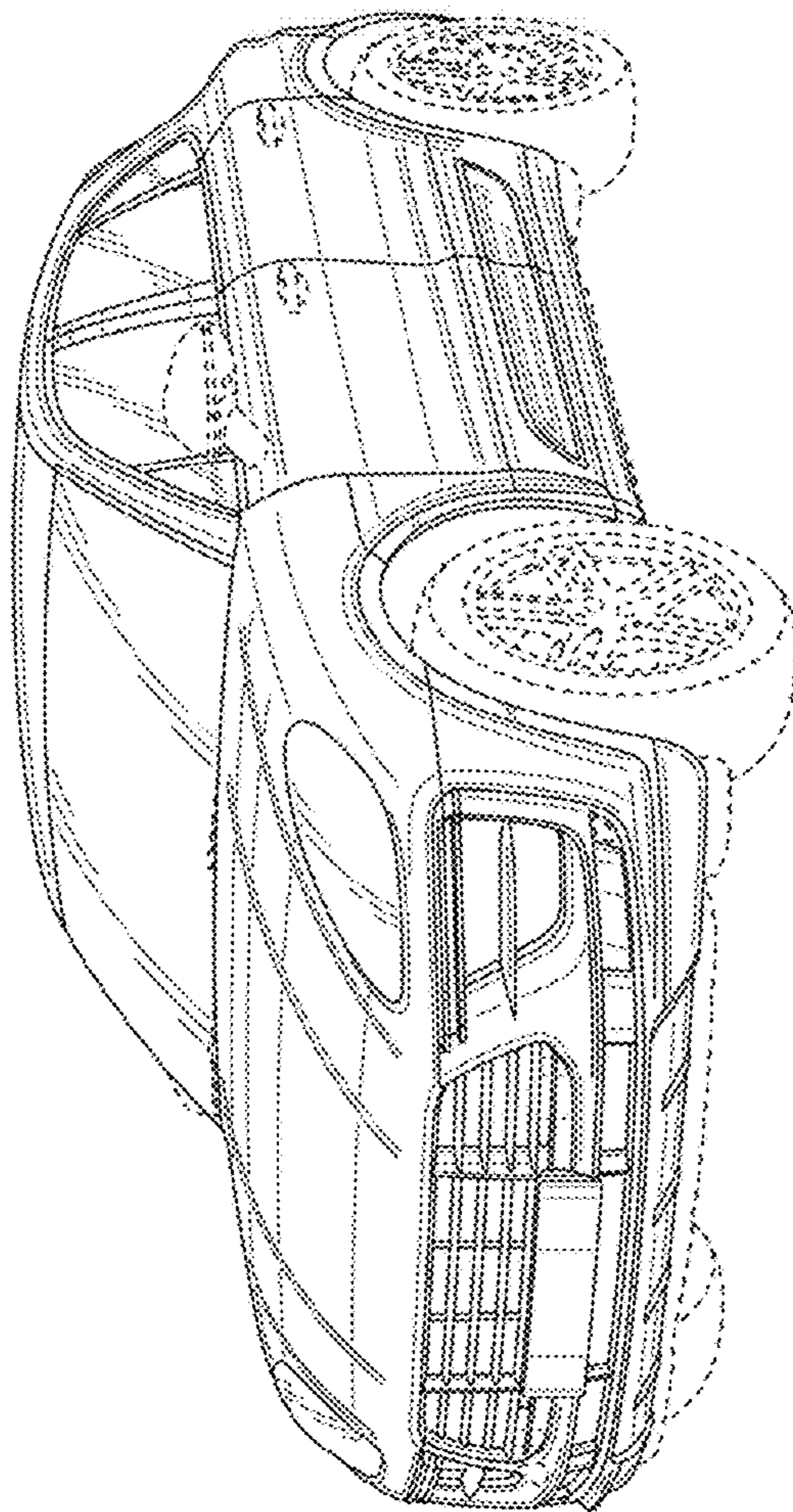


FIG. 1

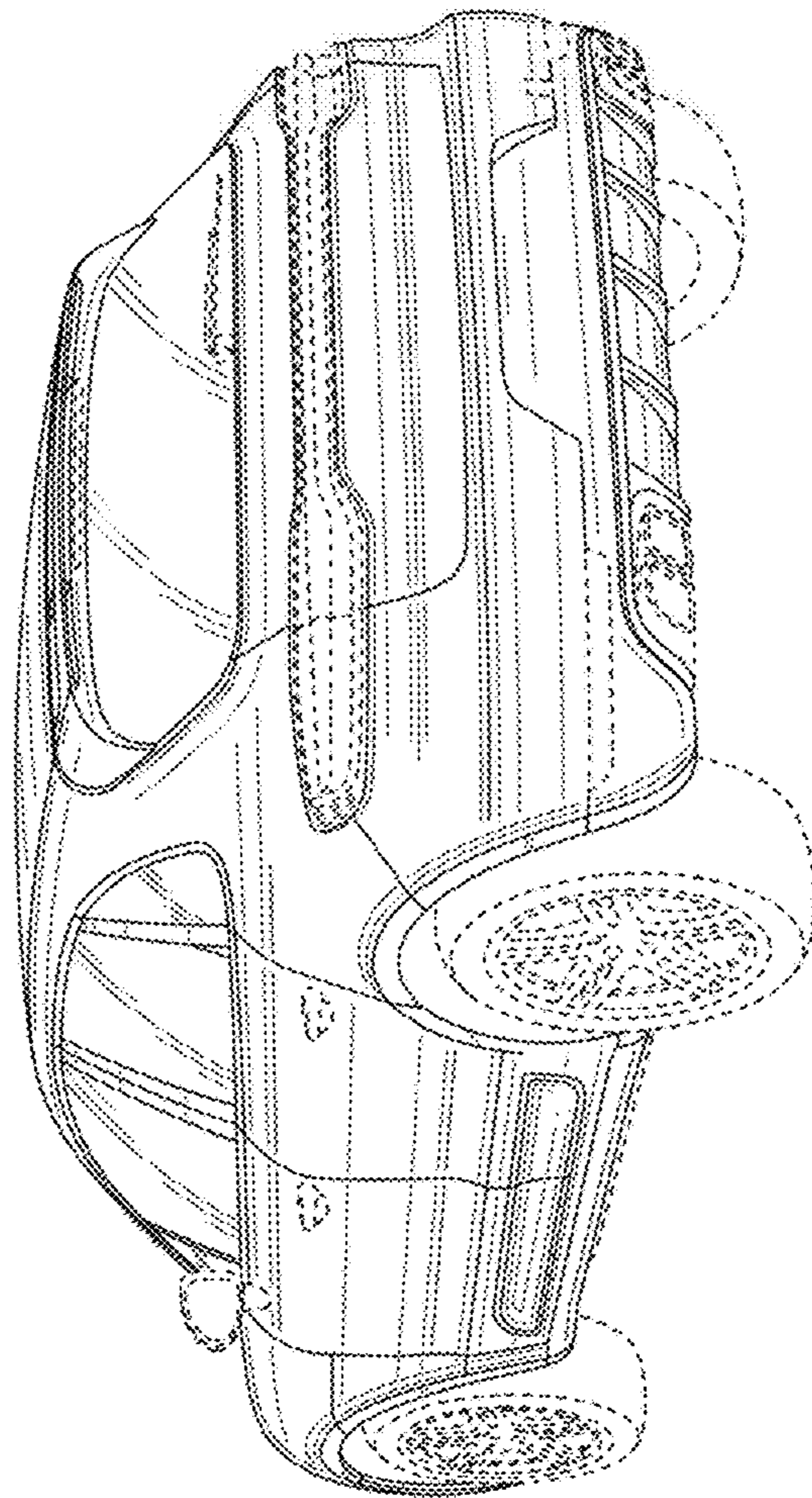


FIG. 2

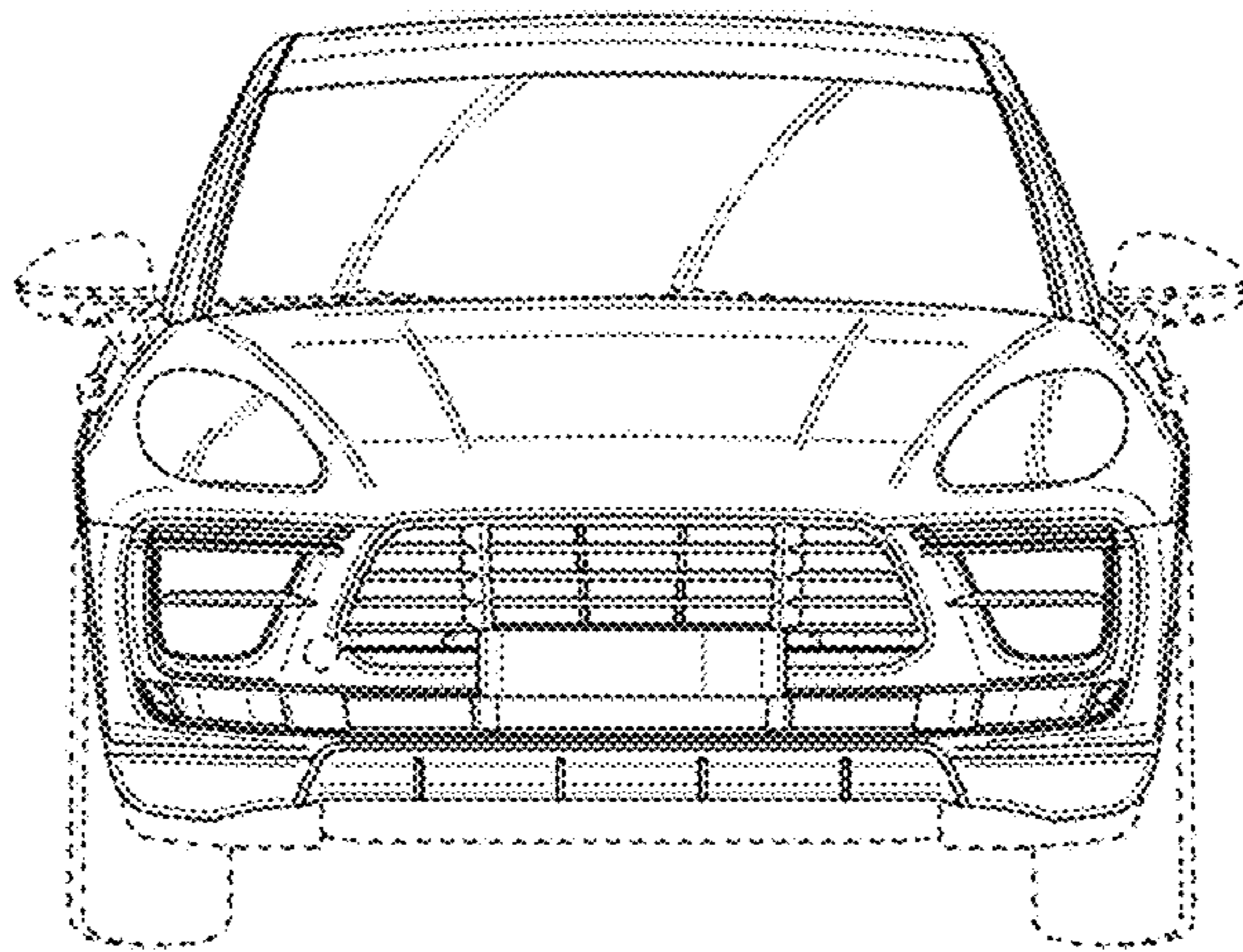


FIG. 3

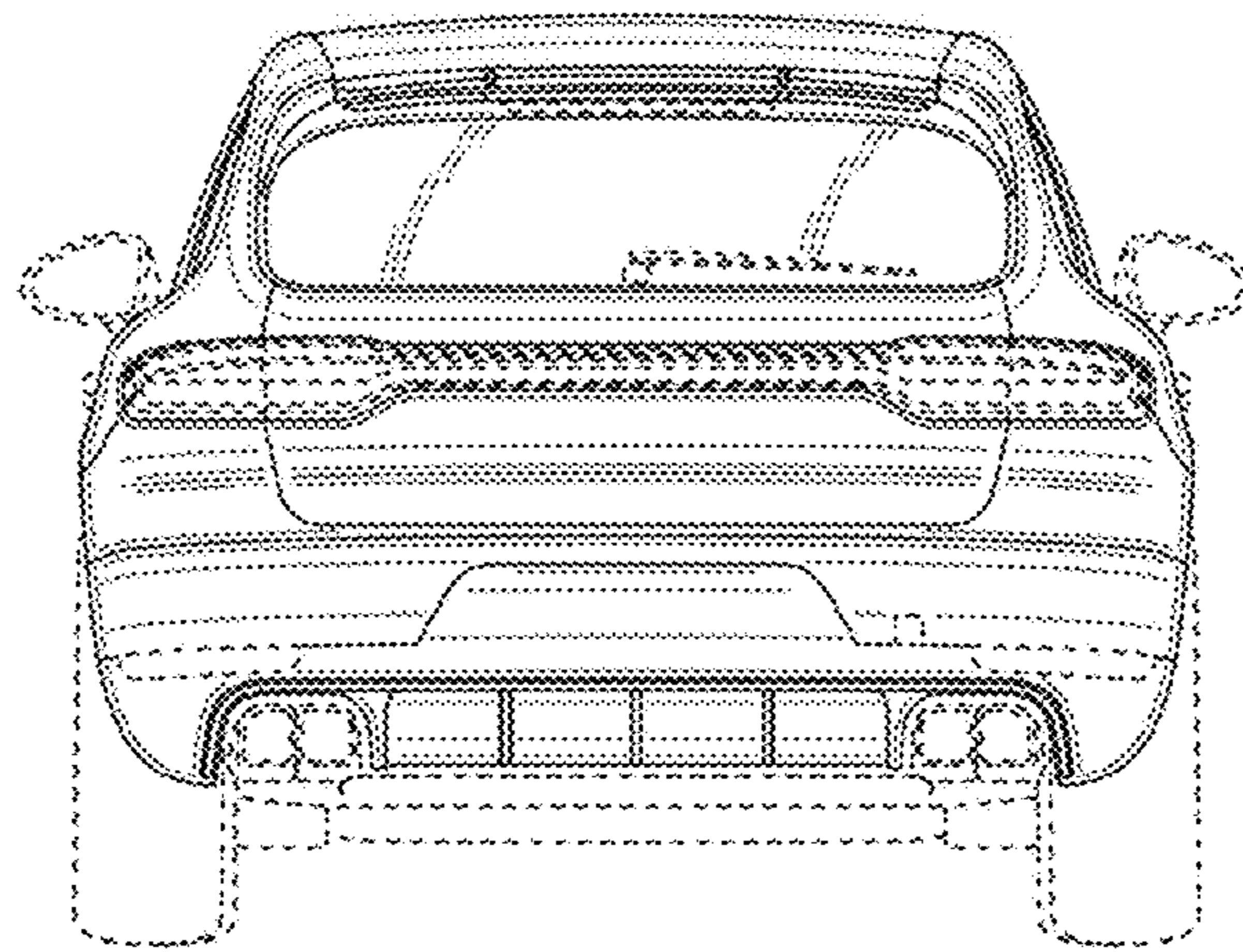


FIG. 4

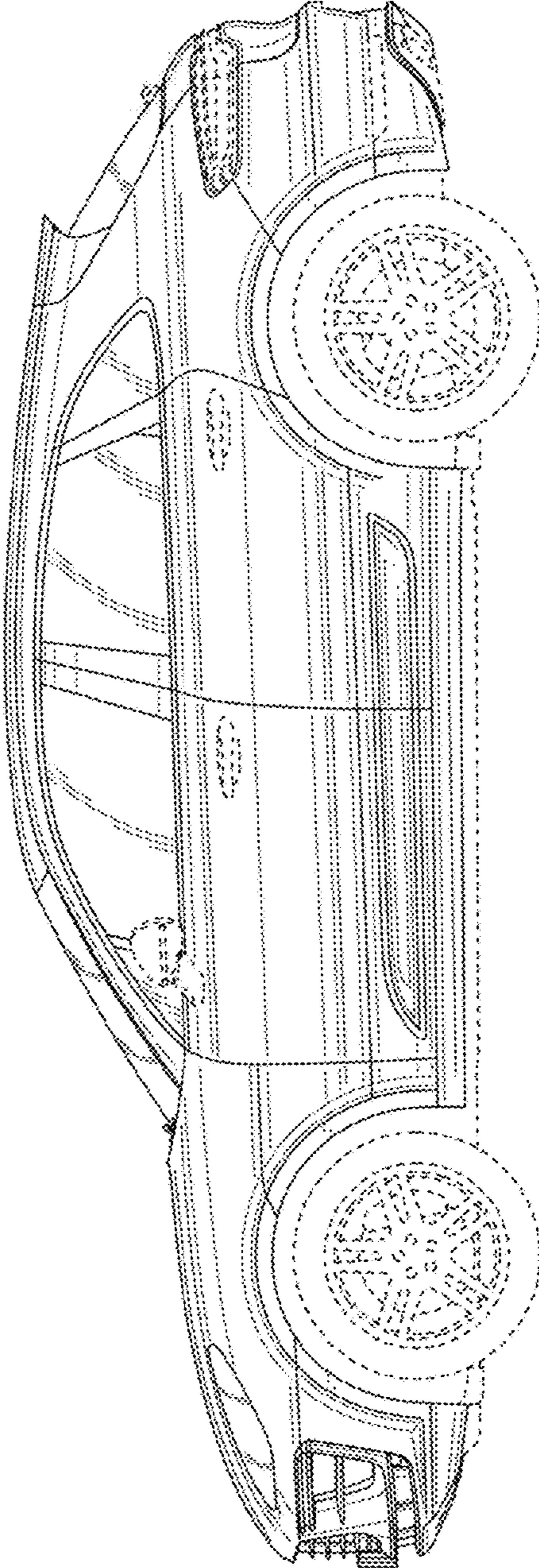


FIG. 5

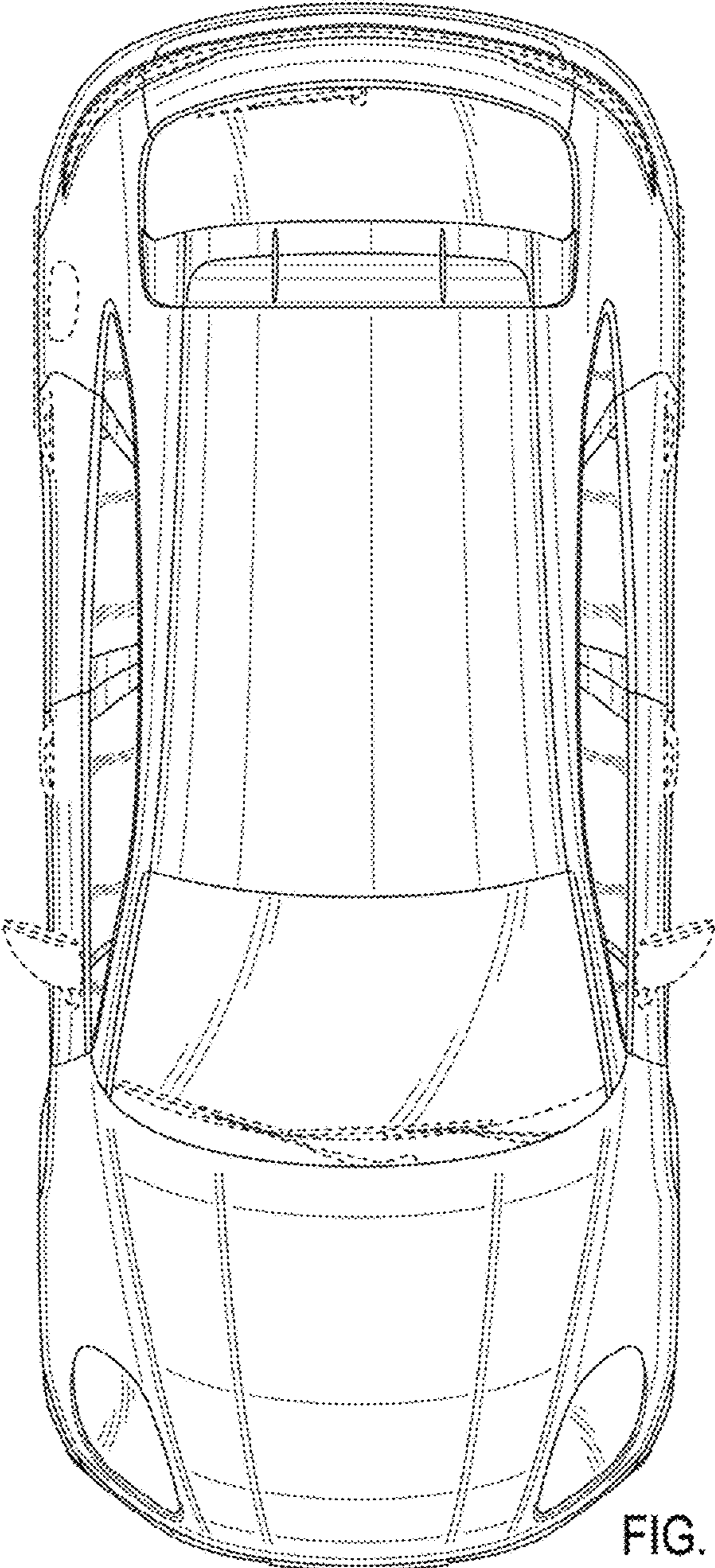


FIG. 6