



US00D867923S

(12) **United States Design Patent** (10) **Patent No.:** **US D867,923 S**
Li (45) **Date of Patent:** **** Nov. 26, 2019**

(54) **BUCKLE**
(71) Applicant: **Emit International Group Co., Ltd.,**
Shenzhen (CN)
(72) Inventor: **Bing Li, Shenzhen (CN)**
(73) Assignee: **Emit International Group Co., Ltd.,**
Shenzhen (CN)
(**) Term: **15 Years**
(21) Appl. No.: **29/660,814**
(22) Filed: **Aug. 22, 2018**
(51) **LOC (12) Cl.** **02-07**
(52) **U.S. Cl.**
USPC **D11/216**
(58) **Field of Classification Search**
USPC D11/200, 201, 216-219; D30/152, 155;
D2/706
CPC A44B 11/04; A44B 11/06; A44B 11/25;
A44B 11/258; A44B 11/2588; A44B
11/2592; A44B 11/2596; A44B 11/26;
A44B 11/263; A44B 11/266; A44B
17/0023; A44B 99/005; A41F 1/002;
A41F 1/006; A41F 1/008; A01K 11/00;
A01K 11/08; A01K 27/001; Y10T
24/45948
See application file for complete search history.

(56) **References Cited**
U.S. PATENT DOCUMENTS
D87,434 S * 7/1932 Haas D11/200
3,000,069 A * 9/1961 Shears A44B 11/2592
24/662
3,520,033 A * 7/1970 Usuda A44B 11/2588
24/590.1
3,836,049 A * 9/1974 Smith A44B 11/2588
24/587.12
D325,546 S * 4/1992 Collier D11/200

5,224,247 A * 7/1993 Collier A44B 11/28
24/587.12
5,261,257 A * 11/1993 Collier A44B 15/002
24/576.1
D349,473 S * 8/1994 Fildan A44B 11/2588
D11/212
5,520,036 A * 5/1996 Collier A44B 15/002
24/576.1
6,253,428 B1 * 7/2001 Wang A41F 1/006
24/695
6,481,065 B2 * 11/2002 Cogdill C07K 14/50
24/265 EC
6,499,201 B2 * 12/2002 Fildan A41F 1/006
2/73
6,859,982 B1 * 3/2005 Carrillo A44B 11/2588
24/310
7,377,128 B1 * 5/2008 Zucker-Pinchoff
A44B 11/2592
24/265 BC

(Continued)

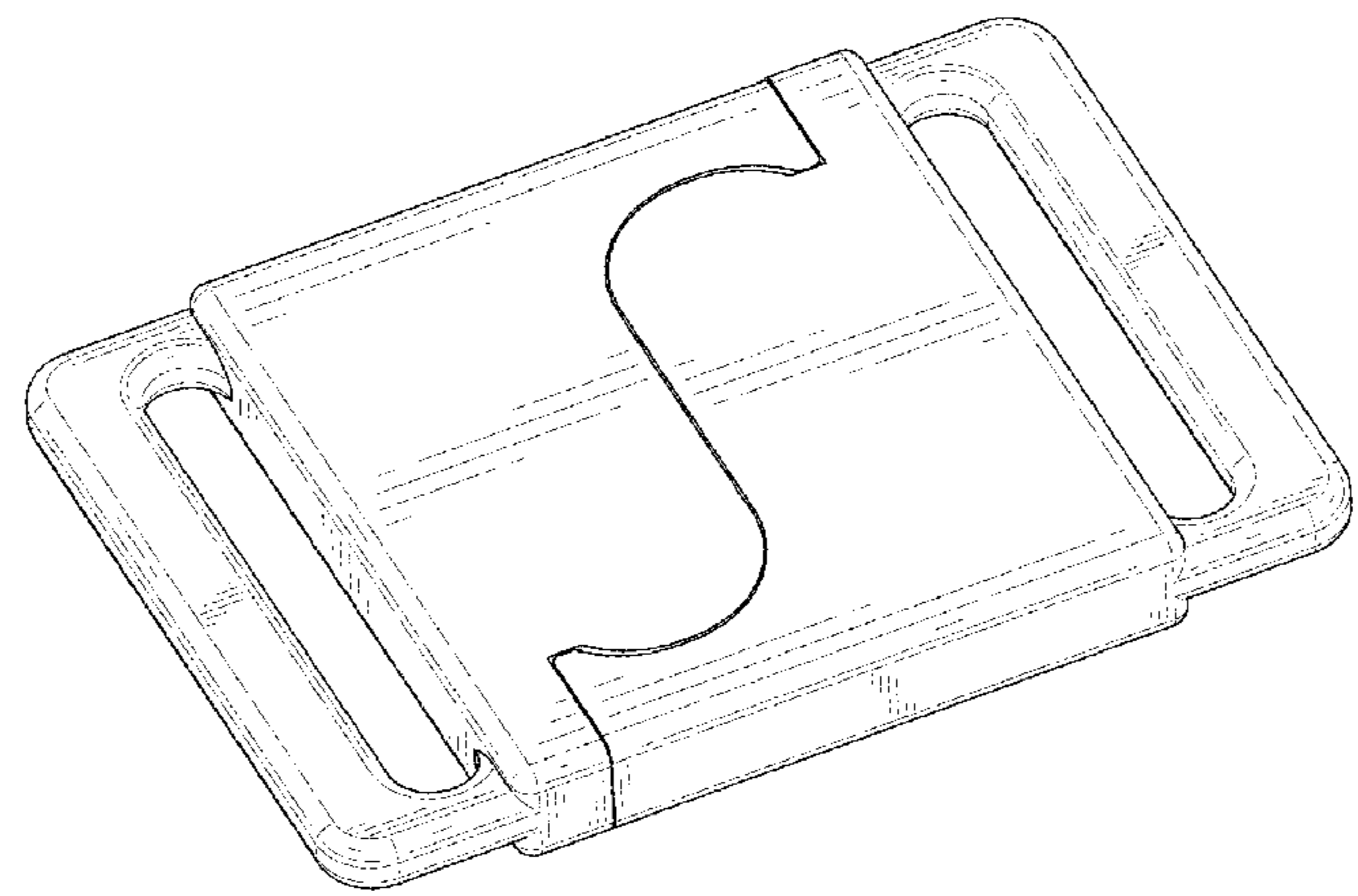
Primary Examiner — Kevin K Rudzinski
Assistant Examiner — Clare Ann Gannon
(74) *Attorney, Agent, or Firm* — ScienBiziP, P.C.

(57) **CLAIM**
The ornamental design for a buckle, as shown and described.

DESCRIPTION

FIG. 1 is a front perspective view of a buckle, showing the claimed new design;
FIG. 2 is a rear perspective view thereof;
FIG. 3 is a front elevation view thereof;
FIG. 4 is a rear elevation view thereof;
FIG. 5 is a left side elevation view thereof;
FIG. 6 is a right side elevation view thereof;
FIG. 7 is a top plan view thereof;
FIG. 8 is a bottom plan view thereof; and,
FIG. 9 is a front perspective view thereof, shown in an unfastened position.
The broken lines are environmental structures and form no part of the claimed design.

1 Claim, 9 Drawing Sheets



(56)

References Cited

U.S. PATENT DOCUMENTS

8,225,468 B2 * 7/2012 Wanzenboeck A41F 1/006
24/586.11
D739,785 S * 9/2015 Fildan A44B 11/2596
D11/218
D826,776 S * 8/2018 Grunewald A41F 1/006
D11/216
2009/0133230 A1 * 5/2009 Wanzenboeck A41F 1/006
24/326
2013/0029561 A1 * 1/2013 Lin A41F 1/006
450/86
2016/0088905 A1 * 3/2016 Perry A44B 11/2596
2/338
2016/0157564 A1 * 6/2016 Howell A44B 11/266
24/586.1

* cited by examiner

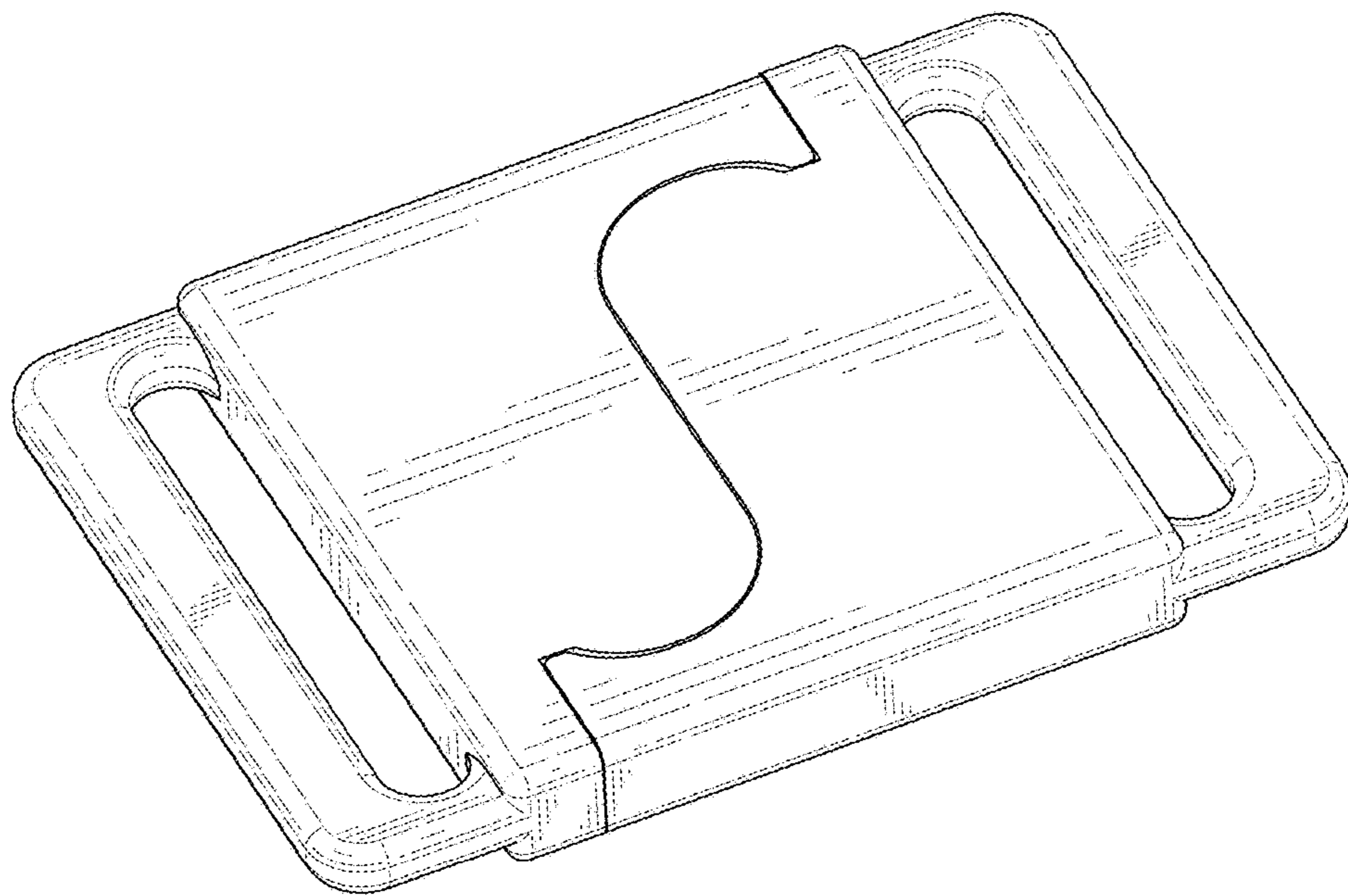


FIG. 1

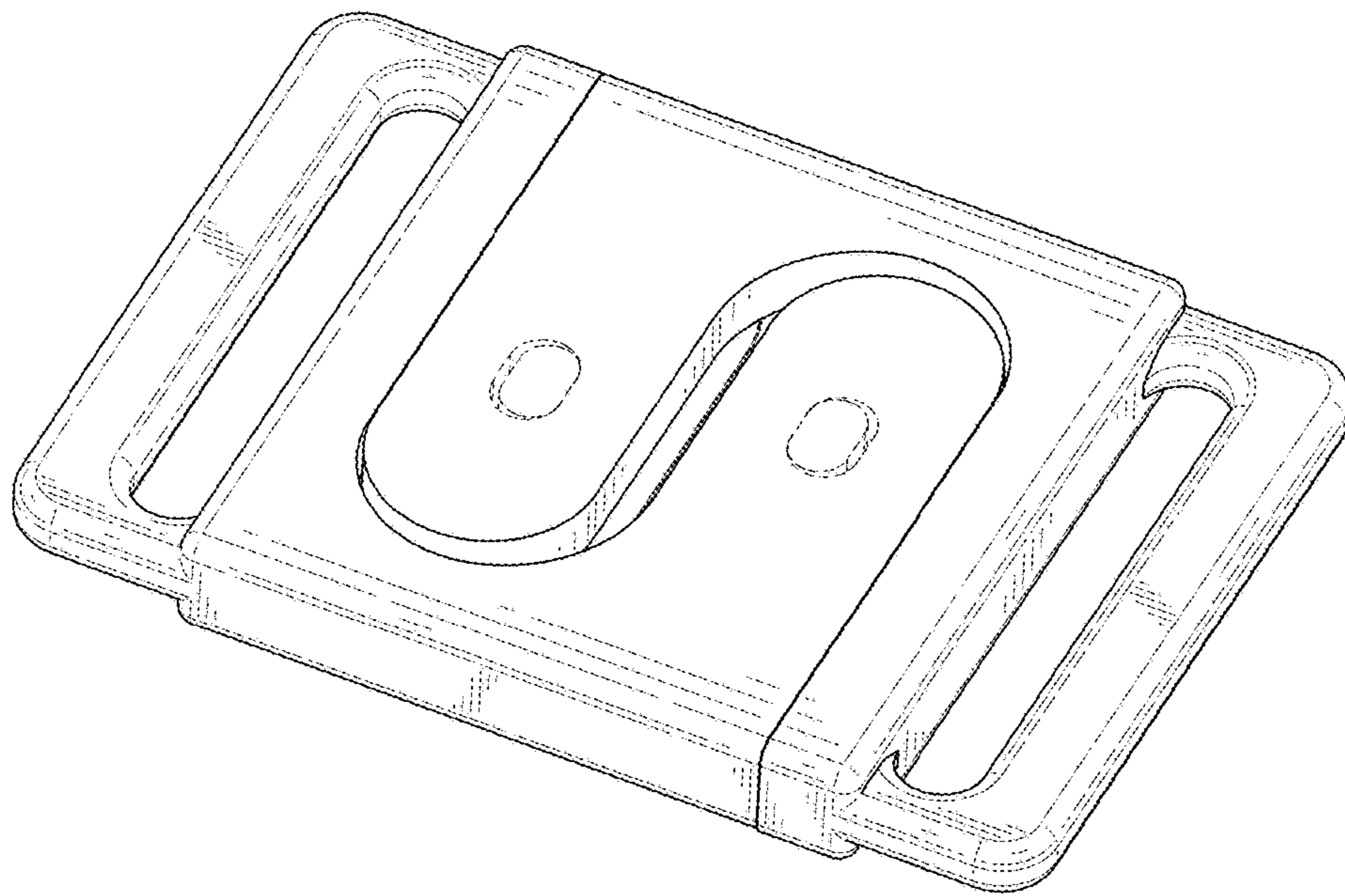


FIG. 2

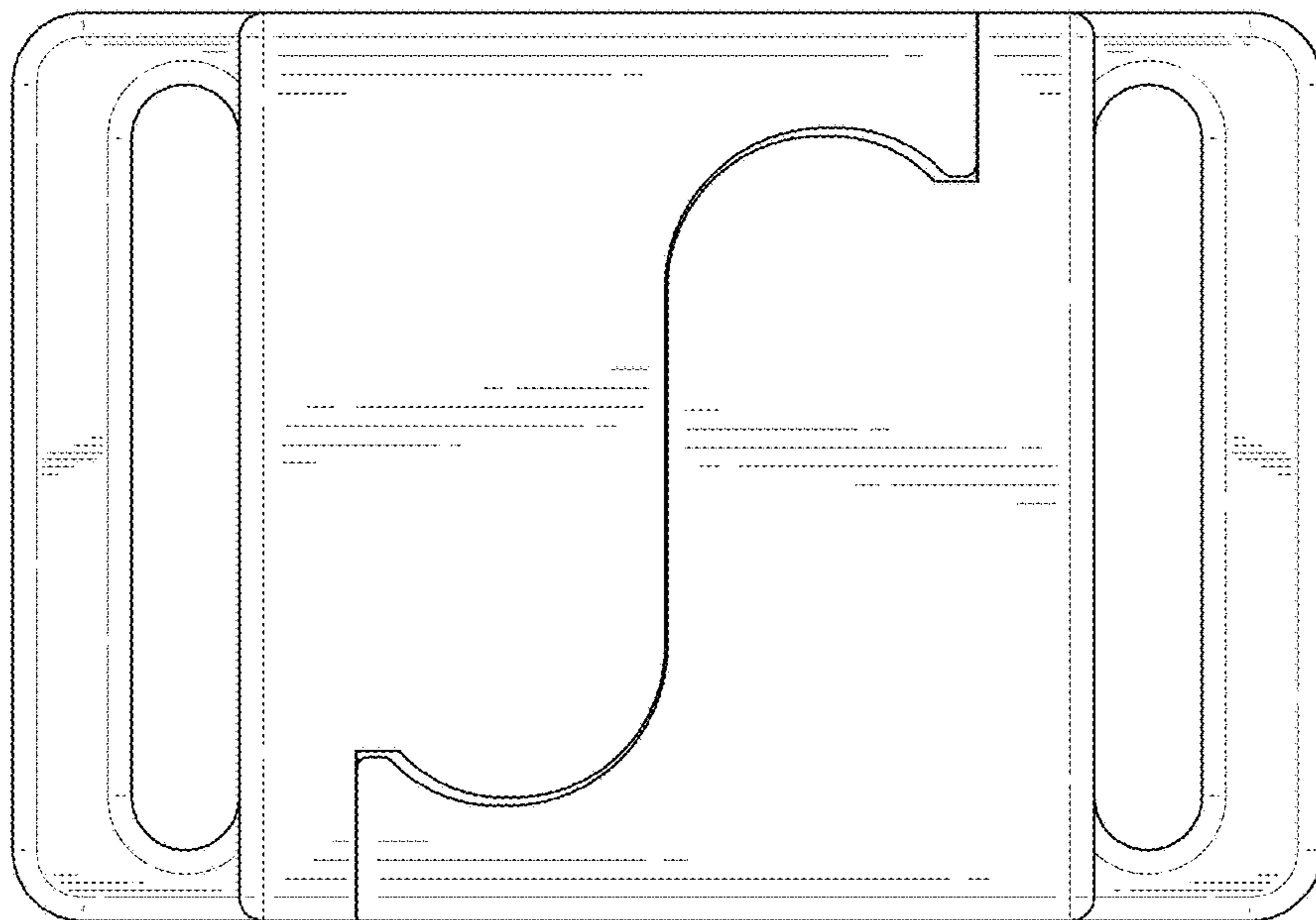


FIG. 3

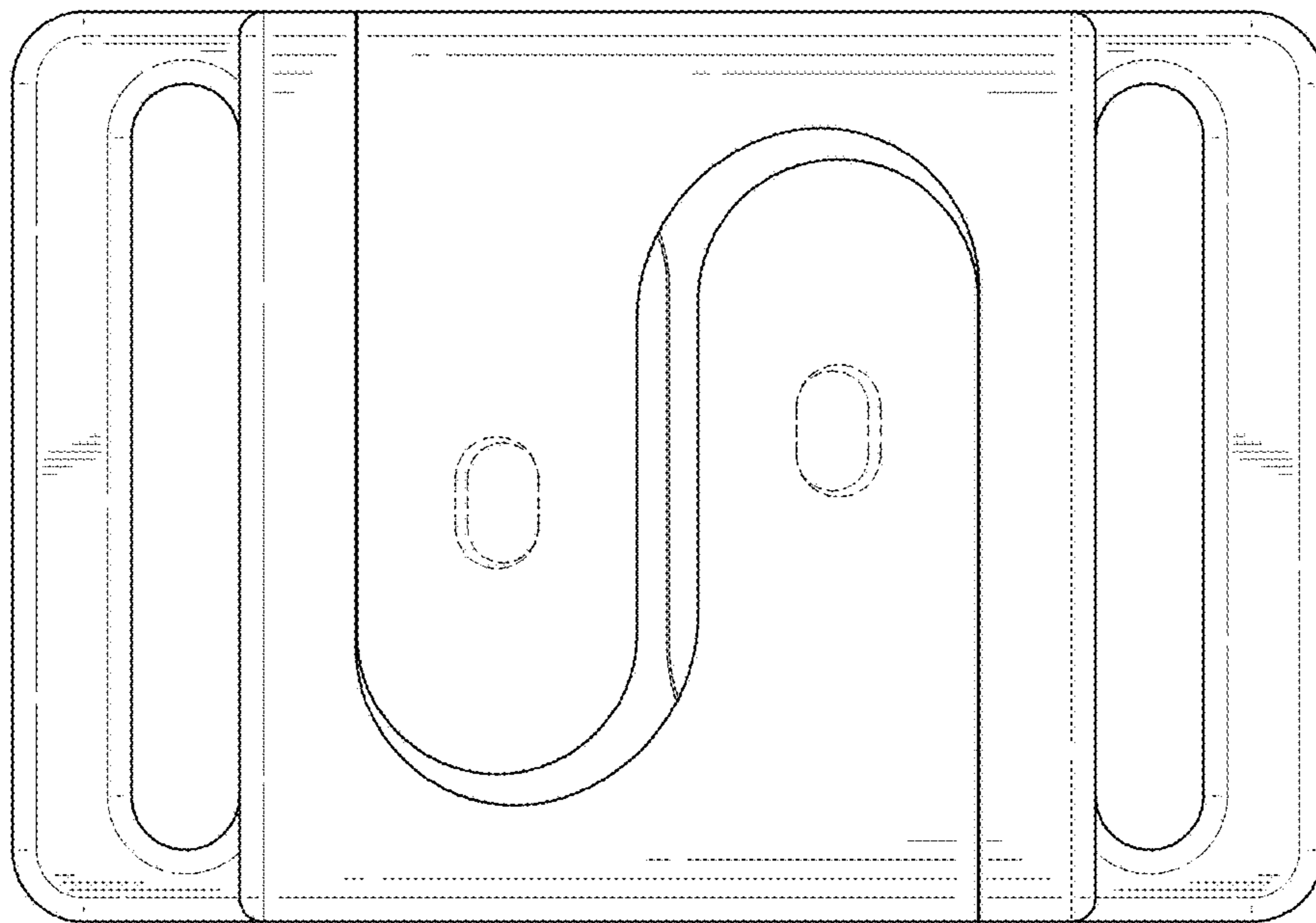


FIG. 4

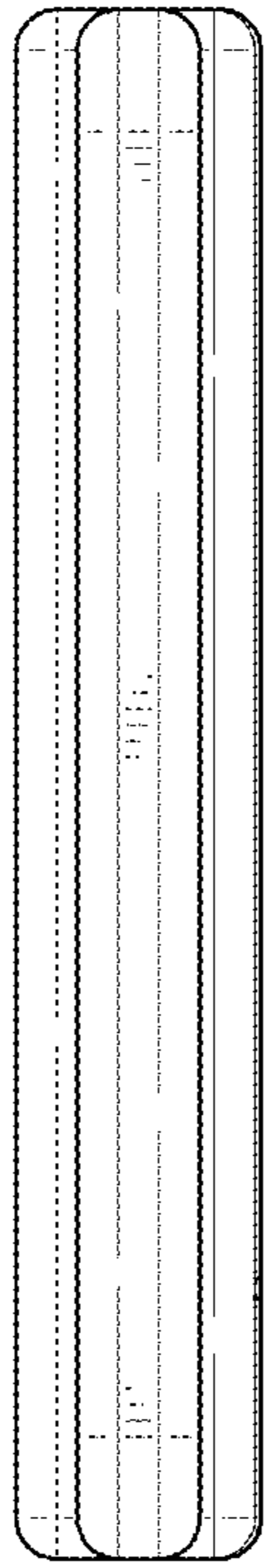


FIG. 5

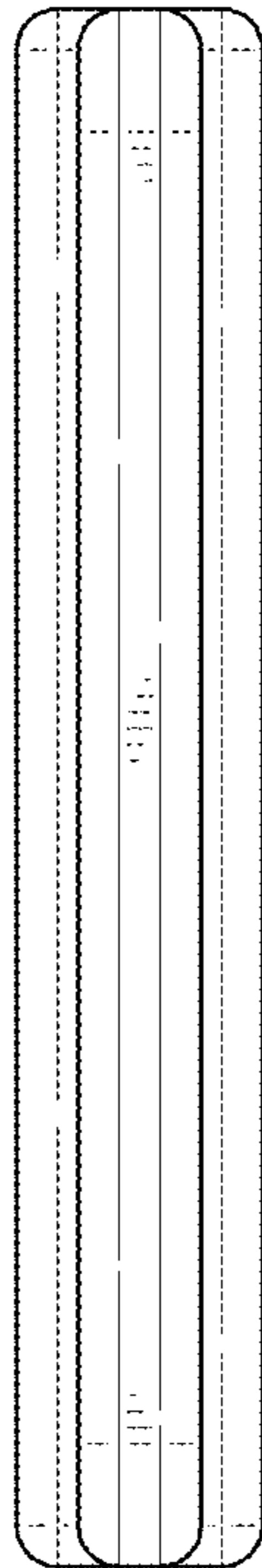


FIG. 6

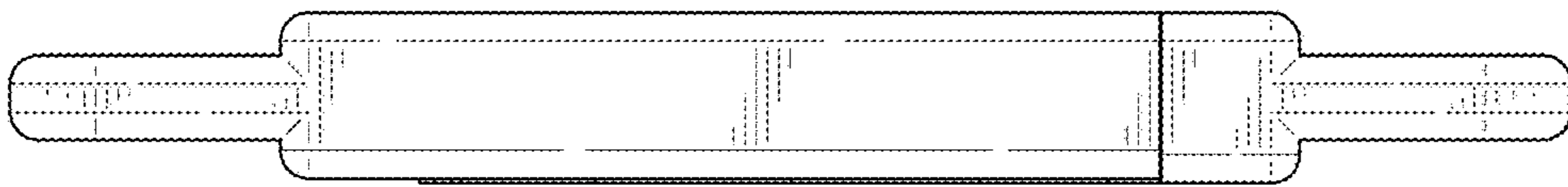


FIG. 7

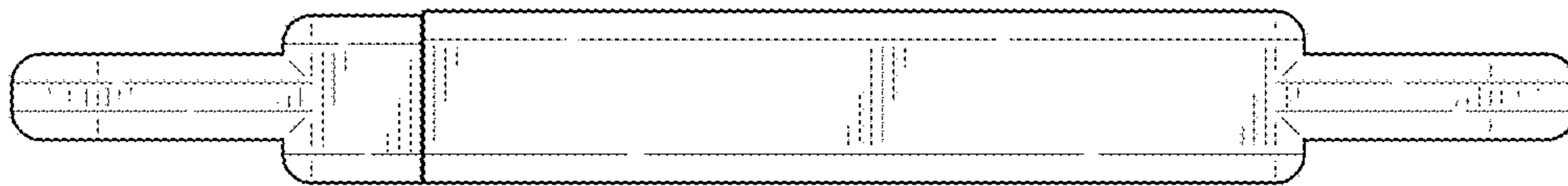


FIG. 8

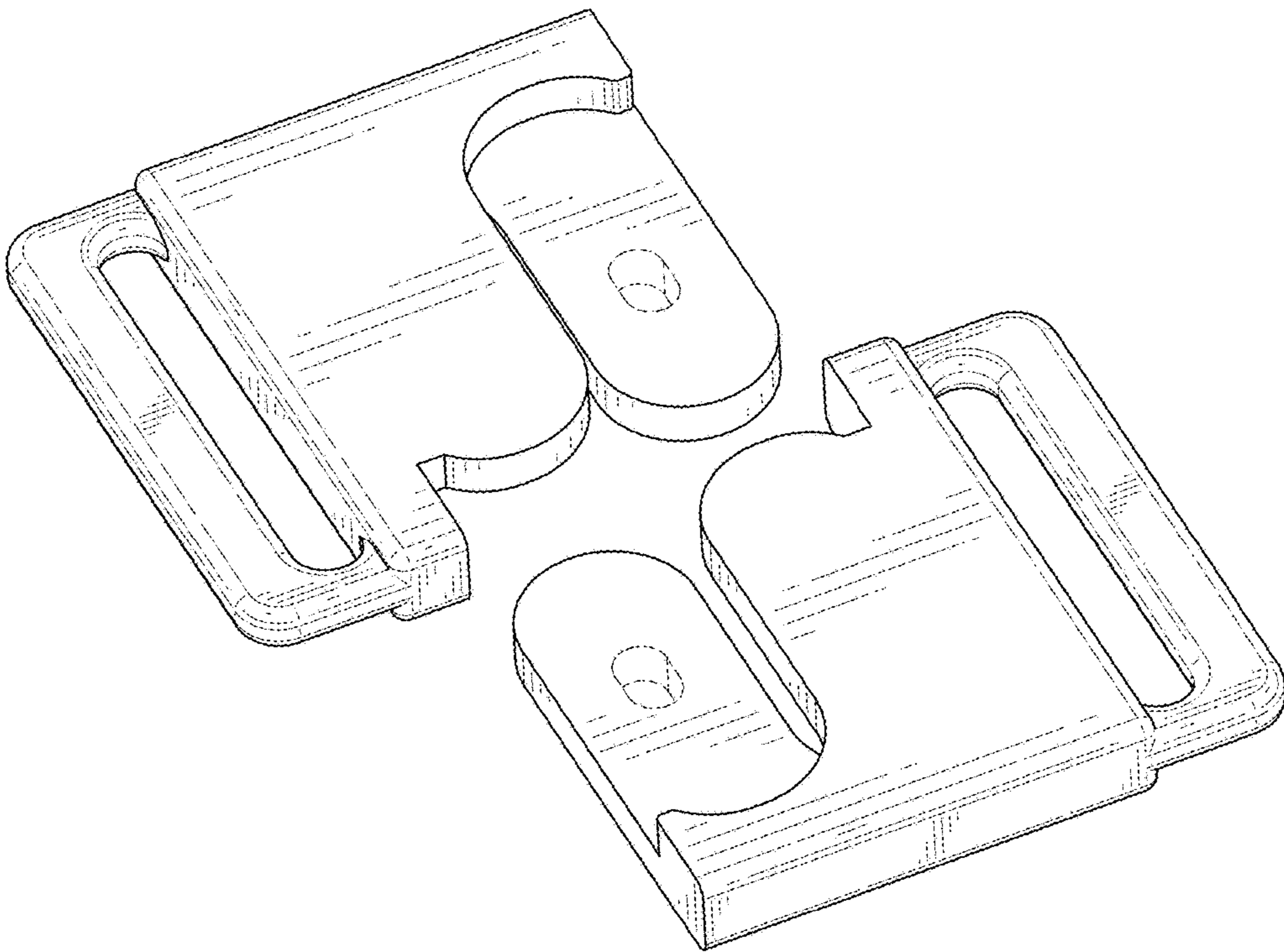


FIG. 9