



US00D867922S

(12) **United States Design Patent** (10) **Patent No.:** **US D867,922 S**
Steve (45) **Date of Patent:** **** Nov. 26, 2019**

(54) **SURVIVAL WATCH BUCKLE**
(71) Applicant: **Eilers Steve**, Grand Rapids, MI (US)
(72) Inventor: **Eilers Steve**, Grand Rapids, MI (US)
(73) Assignee: **Boost Marketing Group, LLC**, Ada, MI (US)
(**) Term: **15 Years**
(21) Appl. No.: **29/553,176**
(22) Filed: **Jan. 29, 2016**
(51) **LOC (12) Cl.** **02-07**
(52) **U.S. Cl.**
USPC **D11/216**
(58) **Field of Classification Search**
USPC D11/1-6, 7-40, 43, 75-76, 77, 79, 80,
D11/86-88, 91, 93, 94, 200, 201, 218,
D11/220, 215, 216; D10/31
CPC A44C 23/00; A44C 25/00; A44C 25/001;
A44C 25/002; A44C 25/004; A44C
25/007; A44C 5/02; A44C 5/107; A44C
9/0015; A44D 2201/00; A44D 2201/02;
A44D 2200/00; A44D 2200/10; A44B
11/00; A44B 11/20; A44B 11/22
See application file for complete search history.

D592,530 S * 5/2009 Ramsey D10/31
D684,893 S * 6/2013 Kataguchi D11/216
8,756,955 B2 6/2014 Walchle
8,925,348 B2 1/2015 Gagne
(Continued)

FOREIGN PATENT DOCUMENTS

CN 3339429 * 6/2003
CN 200530009800 * 4/2005

OTHER PUBLICATIONS

Prior Proper Planning, Survival Watch and Bracelet Project Part 1, posted Mar. 28, 2014, [online], [site visited May 15, 2018]. Available from Internet, <URL: <http://priorproperplanningpppp.blogspot.com/2014/03/survival-watch-and-bracelet-project.html>> (Year: 2014).*

(Continued)

Primary Examiner — Sheryl Lane
Assistant Examiner — Samantha N Wood
(74) *Attorney, Agent, or Firm* — Varnum, Riddering, Schmidt & Howlett LLP

(57) **CLAIM**

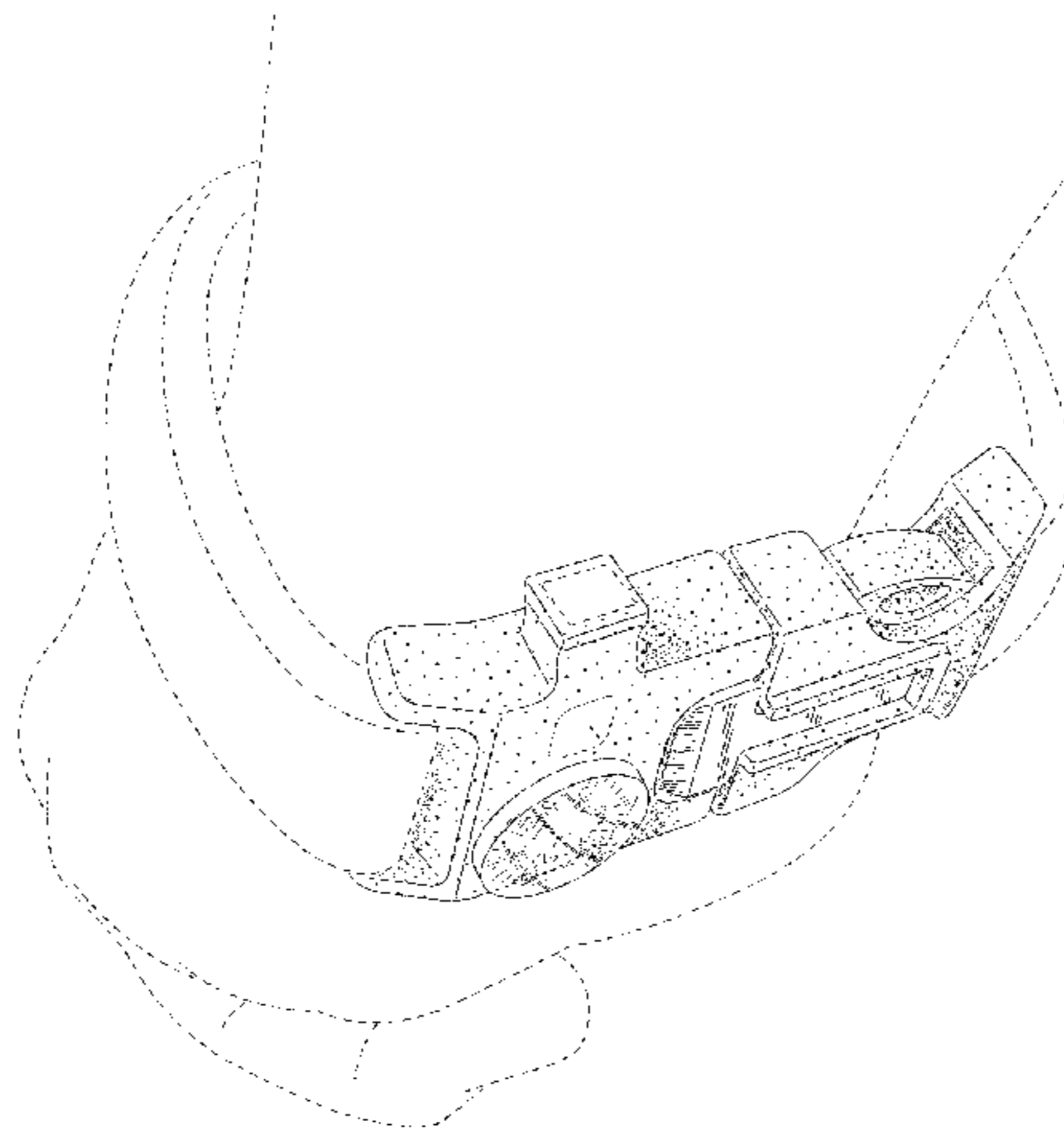
The ornamental design for a survival watch buckle, as shown and described.

DESCRIPTION

FIG. 1 is a perspective view of a survival watch buckle on a user's wrist;
FIG. 2 is a top view of a survival watch buckle;
FIG. 3 is a bottom view of a survival watch buckle;
FIG. 4 is a first side view of a survival watch buckle;
FIG. 5 is a second side view of a survival watch buckle;
FIG. 6 is a front view of a survival watch buckle; and,
FIG. 7 is a back view of a survival watch buckle.
The broken lines are included for the purposes of illustrating the environmental structure and form no part of the claimed design.

1 Claim, 4 Drawing Sheets

(56) **References Cited**
U.S. PATENT DOCUMENTS
3,371,351 A 3/1968 Allain
4,053,966 A * 10/1977 Dieleman A44B 11/00
24/163 K
4,177,522 A 12/1979 Auburn
4,183,206 A 1/1980 Porsche
5,854,773 A 12/1998 Lee
7,125,145 B2 10/2006 Gardiner
D537,382 S * 2/2007 Yang D11/216
D576,519 S * 9/2008 Uehara D11/216
7,447,118 B1 11/2008 Matos
D588,939 S * 3/2009 Falkenstein D10/31



(56)

References Cited

U.S. PATENT DOCUMENTS

D725,538	S *	3/2015	Oh	D11/87
9,021,664	B2	5/2015	Ingalls		
9,084,455	B2	7/2015	Millan		
D739,301	S *	9/2015	Takazakura	D11/216
D740,718	S *	10/2015	Liu	D11/216
2009/0173760	A1	7/2009	Good		
2010/0050690	A1	3/2010	Woodward		
2013/0031935	A1	2/2013	Kelleghan		
2013/0189631	A1	7/2013	Mojica		
2013/0224667	A1	9/2013	Roybal		
2014/0109615	A1 *	4/2014	Millan	B26B 9/00 63/1.12
2015/0128643	A1	5/2015	King		
2015/0135768	A1	5/2015	Barrick		

OTHER PUBLICATIONS

EtsyStudio, Compass Firestarter, reviewed Oct. 14, 2015, [online], [site visited May 15, 2018]. Available from Internet, <URL: <https://www.etsystudio.com/listing/247273577/compass-firestarter-whistle-buckle-with#reviews>> (Year: 2015).*

Amazon, Atdoshop Rope Paracord Survival Bracelet, posted Aug. 20, 2014, [online], [site visited May 15, 2018]. Available from Internet, <URL: <https://www.amazon.co.uk/Atdoshop-Paracord-Survival-Bracelet-Starter/dp/B00MVI4GUY>> (Year: 2014).*

Survival Bracelet kits, Top Survival Gear for 2014, posted Mar. 24, 2014, [online], [site visited May 15, 2018]. Available from Internet, <URL: <http://survivalbraceletkits.com/top-survival-gear-for-2014/>> (Year: 2014).*

* cited by examiner

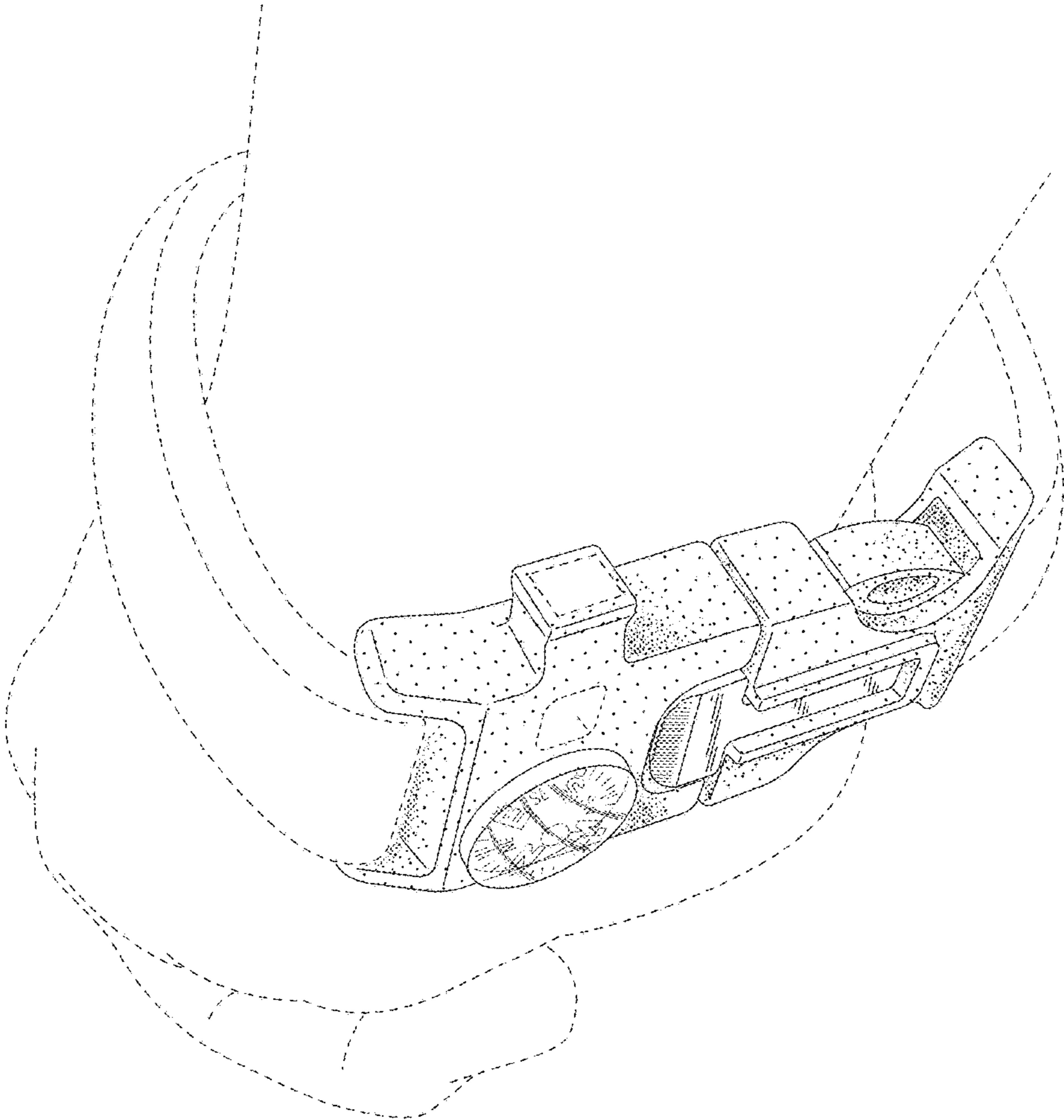


Fig. 1

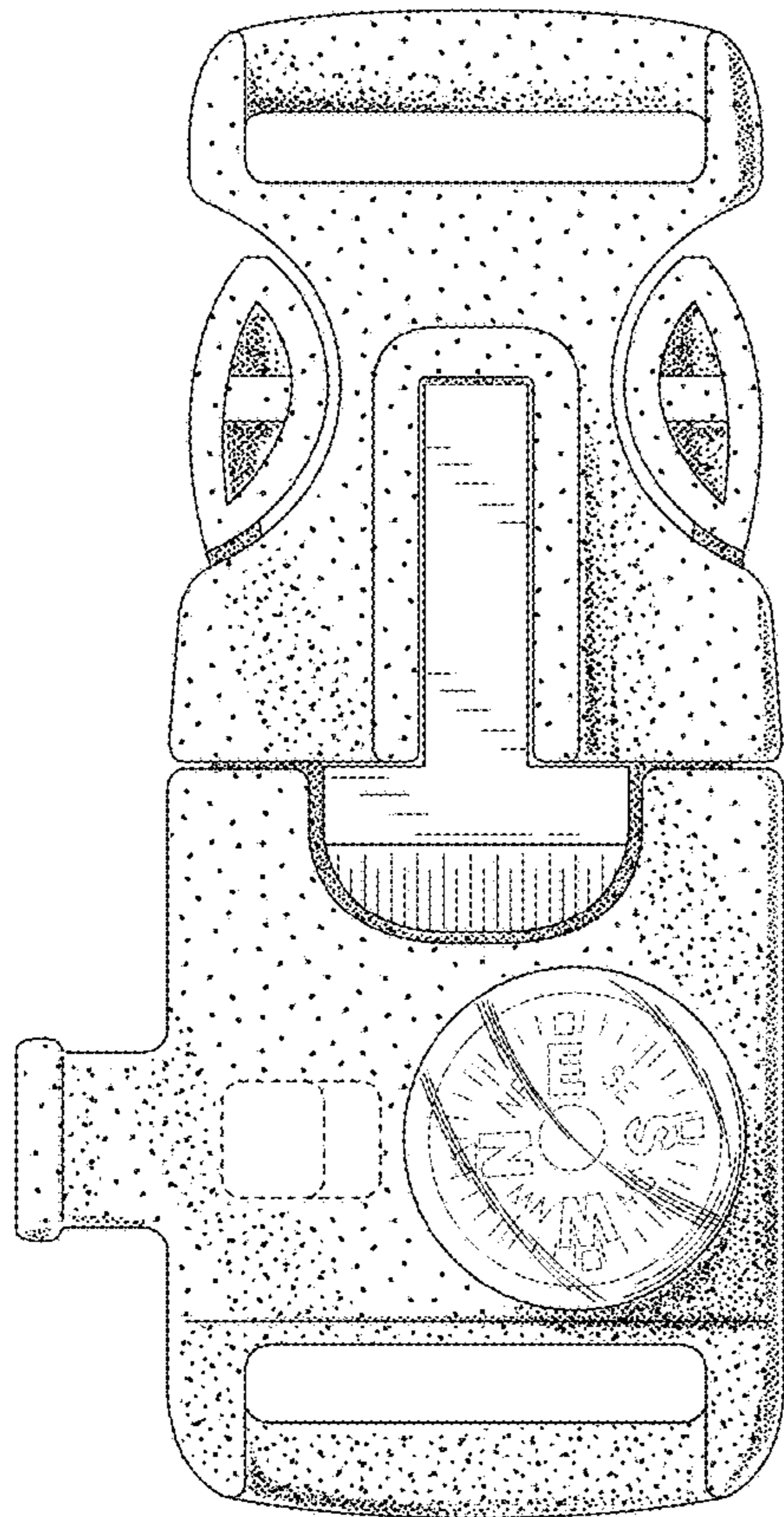


Fig. 2

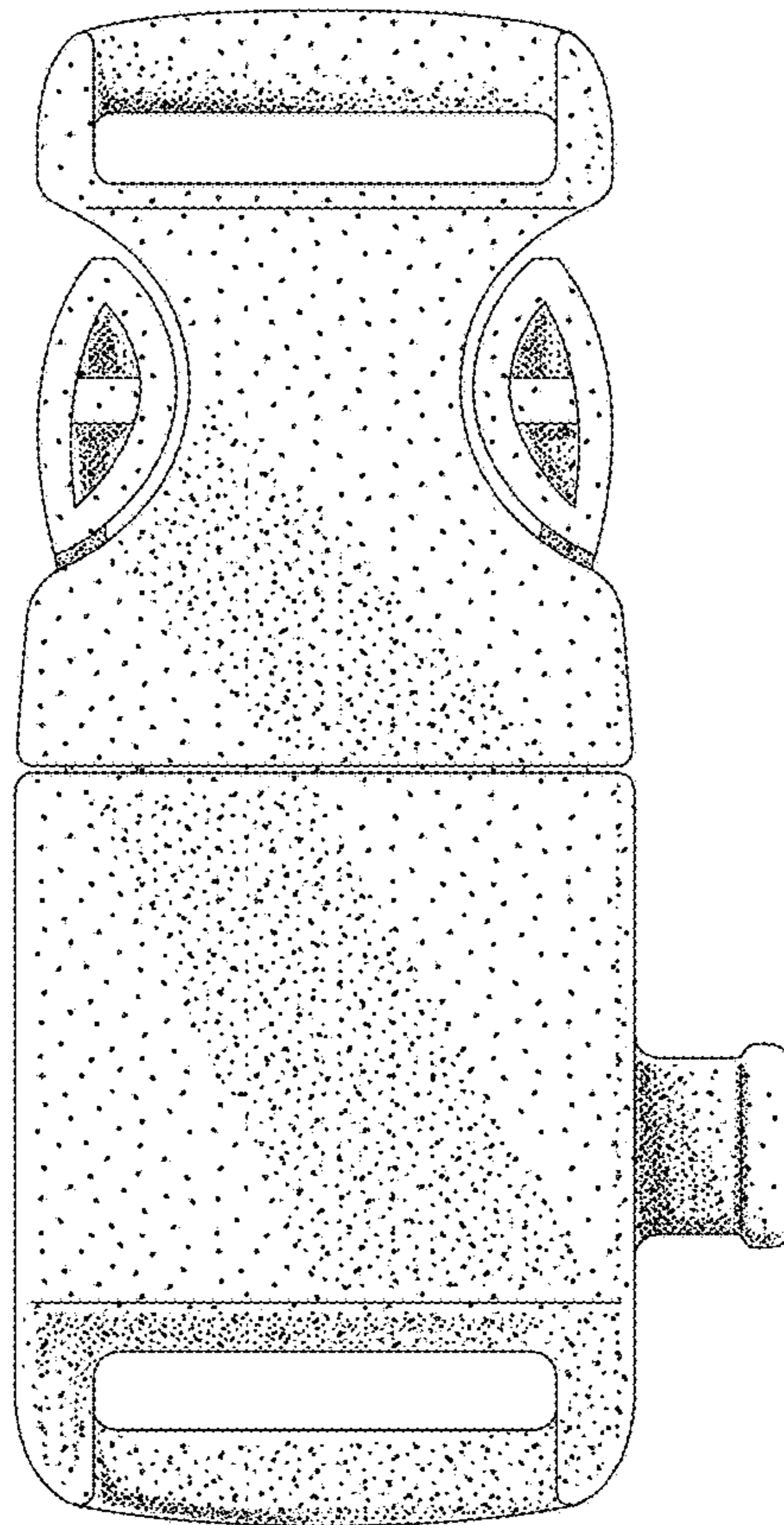


Fig. 3

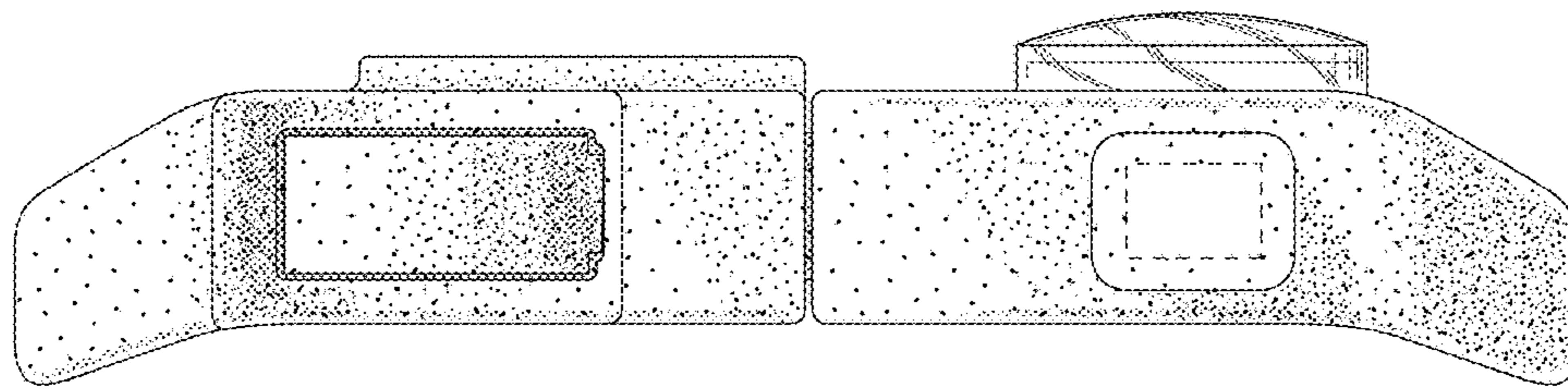


Fig. 4

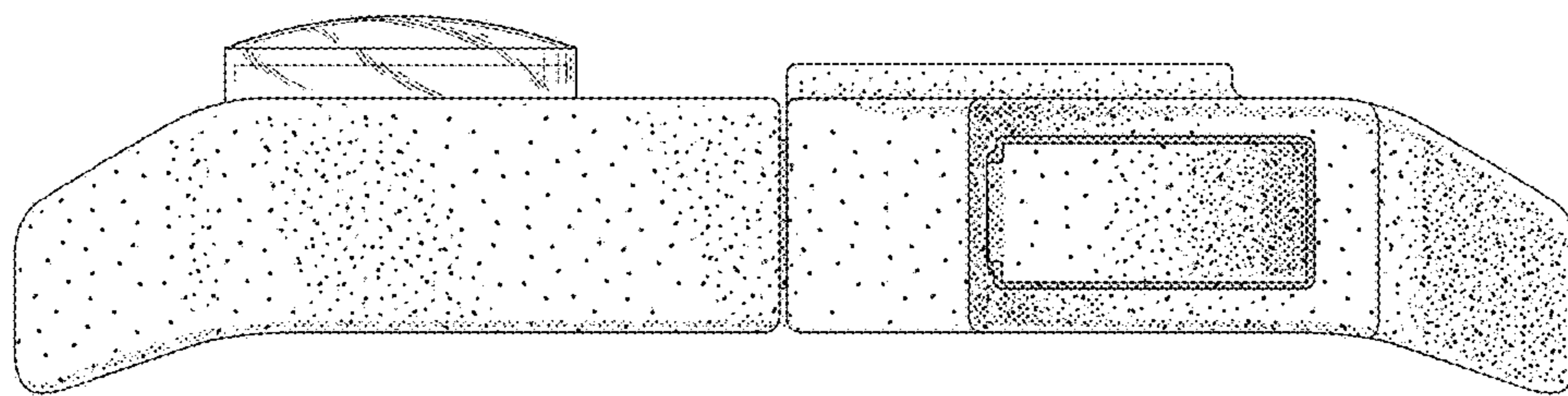


Fig. 5

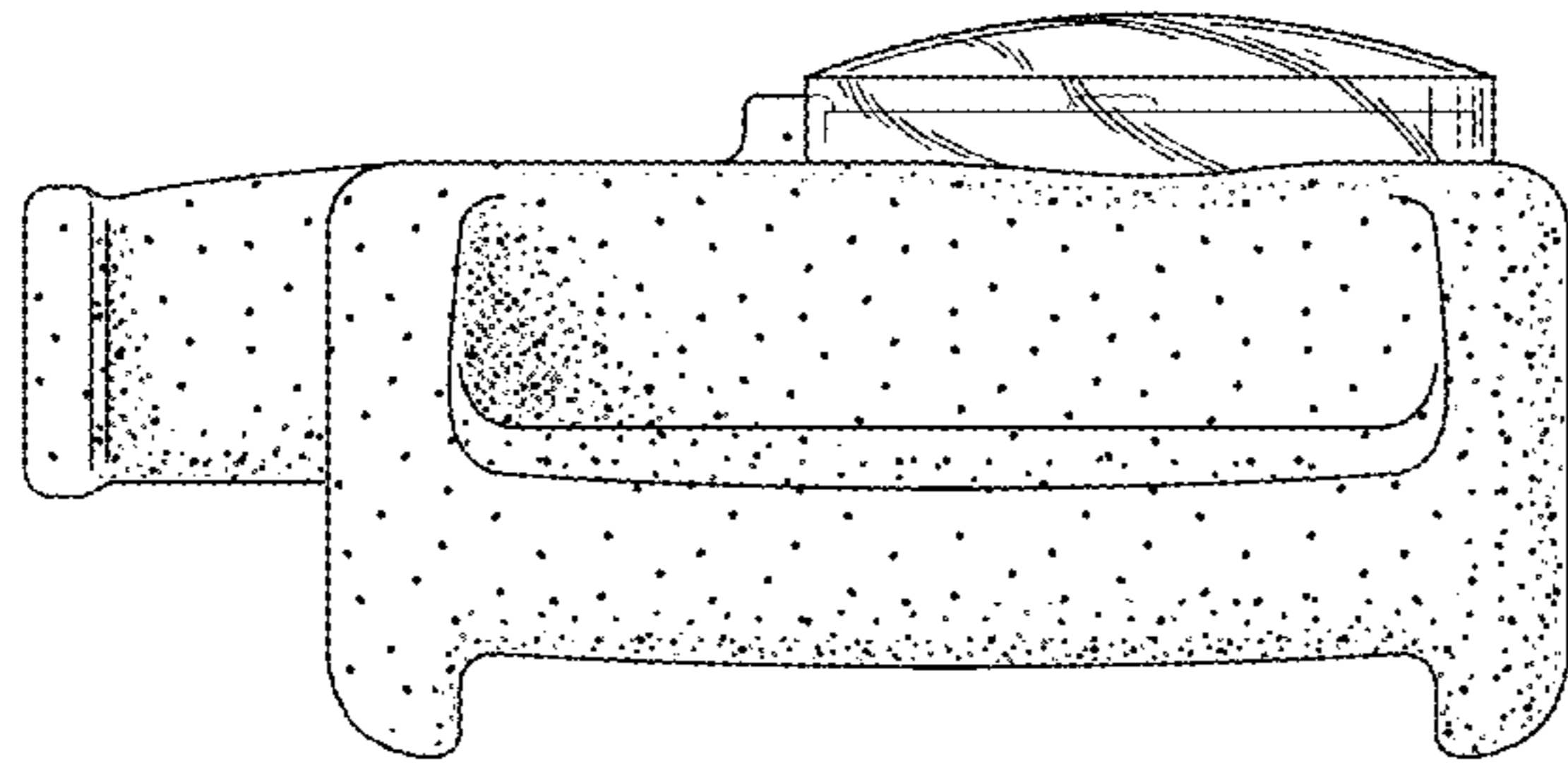


Fig. 6

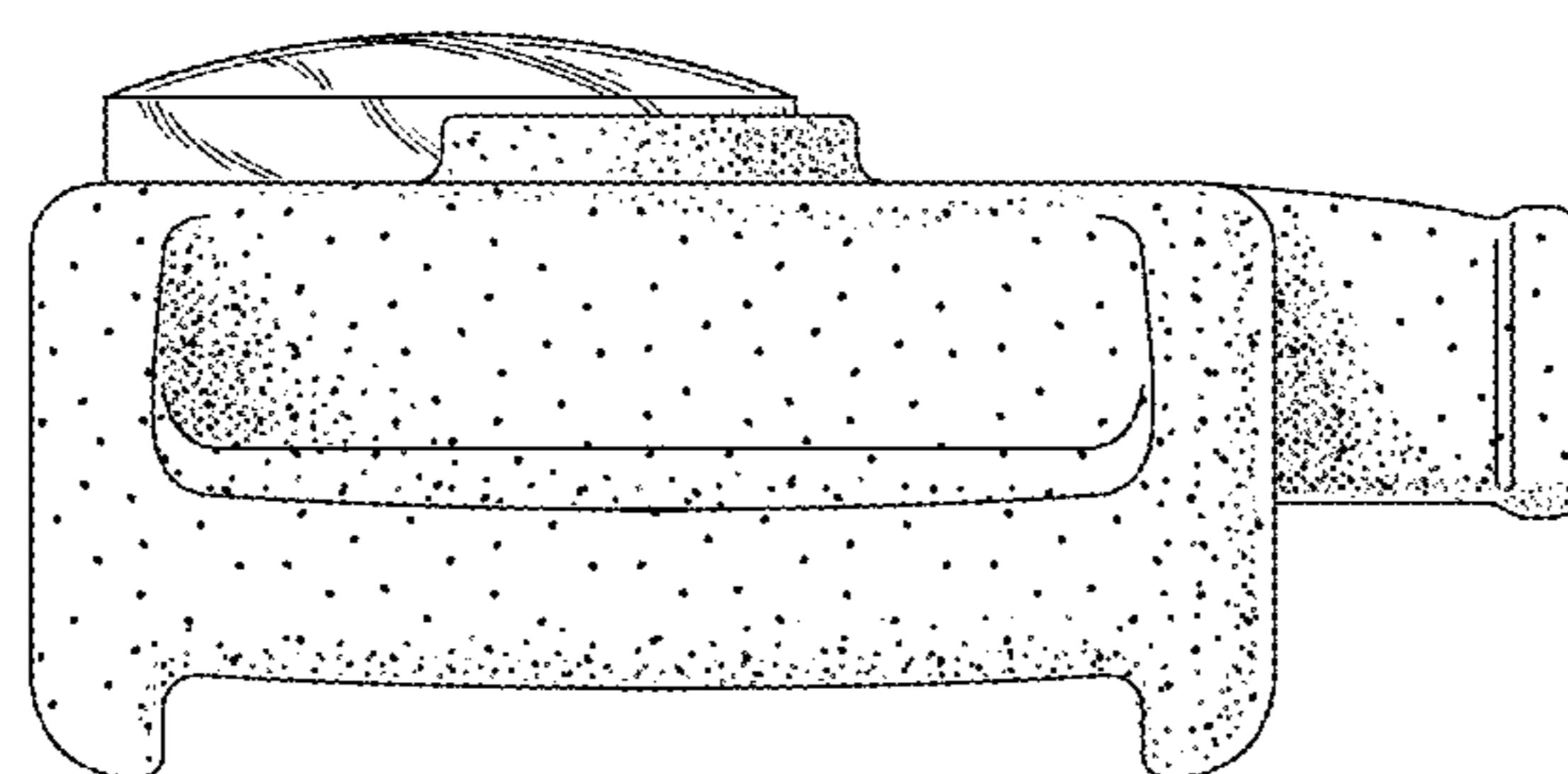


Fig. 7