



US00D867919S

(12) **United States Design Patent**
Behling

(10) **Patent No.:** **US D867,919 S**

(45) **Date of Patent:** **** Nov. 26, 2019**

(54) **WATCH HORN**

(71) Applicant: **LVMH Swiss Manufactures SA**, La Chaux-de-Fonds (CH)

(72) Inventor: **Christoph Behling**, London (GB)

(73) Assignee: **LVMH SWISS MANUFACTURES SA**, La Chaux-de-Fonds (CH)

(**) Term: **15 Years**

(21) Appl. No.: **29/614,556**

(22) Filed: **Aug. 21, 2017**

(30) **Foreign Application Priority Data**

Feb. 22, 2017 (WO) 2459401

(51) **LOC (12) Cl.** **10-07**

(52) **U.S. Cl.**
USPC **D10/128**

(58) **Field of Classification Search**
USPC D10/1-2, 10, 30-33, 36-39, 98-99,
D10/122-124, 126-128, 132; D11/3;
D14/344; D24/167, 186
CPC G04C 19/00; G04C 19/02; G04B 19/00;
G04B 19/025; G04B 19/08; G04B
19/048; G04B 19/04; G04B 19/046;
G04B 19/06; G04B 19/065; G04B
19/082; G04B 19/085; G04B 19/087;
G04B 19/10; G04B 19/103; G04B
19/106; G04B 47/042; G04B 19/12;
G04B 19/18; G04B 19/223; G04B 19/23;
G04B 19/24; G04B 19/241; G04B
19/243; G04D 3/04

See application file for complete search history.

(56) **References Cited**

U.S. PATENT DOCUMENTS

D305,743 S * 1/1990 Hirsch D11/94
D725,527 S * 3/2015 Parmigiani D10/128

8,967,437 B2 * 3/2015 Wilson A45F 5/00
224/152
D742,780 S * 11/2015 Barnes D11/87
D781,722 S * 3/2017 Behling D10/38
D799,990 S * 10/2017 Behling D10/38
D800,578 S * 10/2017 Behling D10/30
9,877,549 B2 * 1/2018 Perkins A44B 17/0011
2013/0152542 A1 * 6/2013 Kaltenrieder A44C 5/185
59/82

(Continued)

OTHER PUBLICATIONS

Tag Heuer Connected Modular 45 | posted at ablogtowatch.com
Mar. 14, 2017 © 2007-2018 aBlogtoWatch [online][site visited Sep.
7, 2018]. Available from internet: <https://www.ablogtowatch.com/
tag-heuer-connected-modular-45-smartwatch/2/> (Year: 2017).*

(Continued)

Primary Examiner — Sandra S Snapp

Assistant Examiner — Katherine Glennon

(74) *Attorney, Agent, or Firm* — Brinks Gilson & Lione;
John C. Freeman

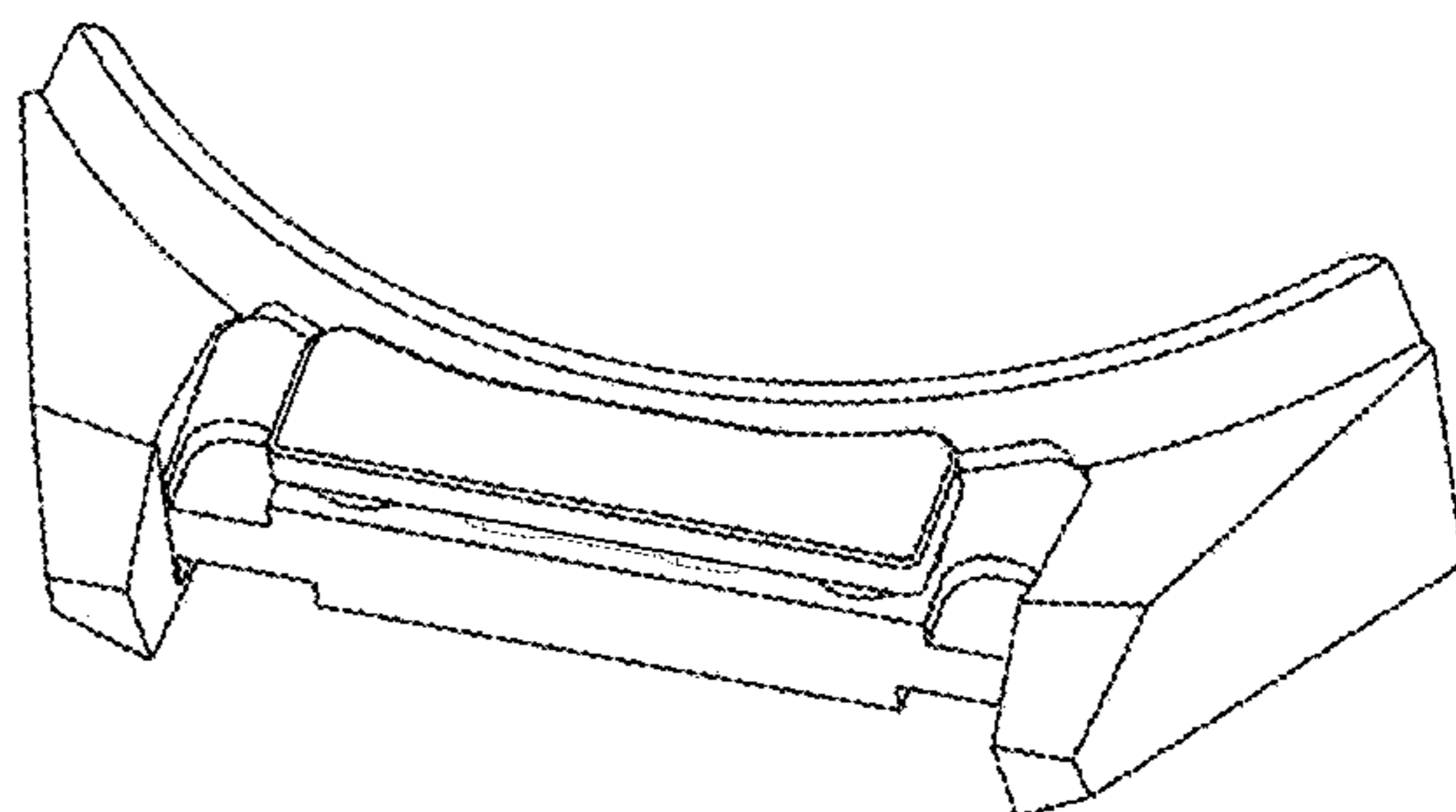
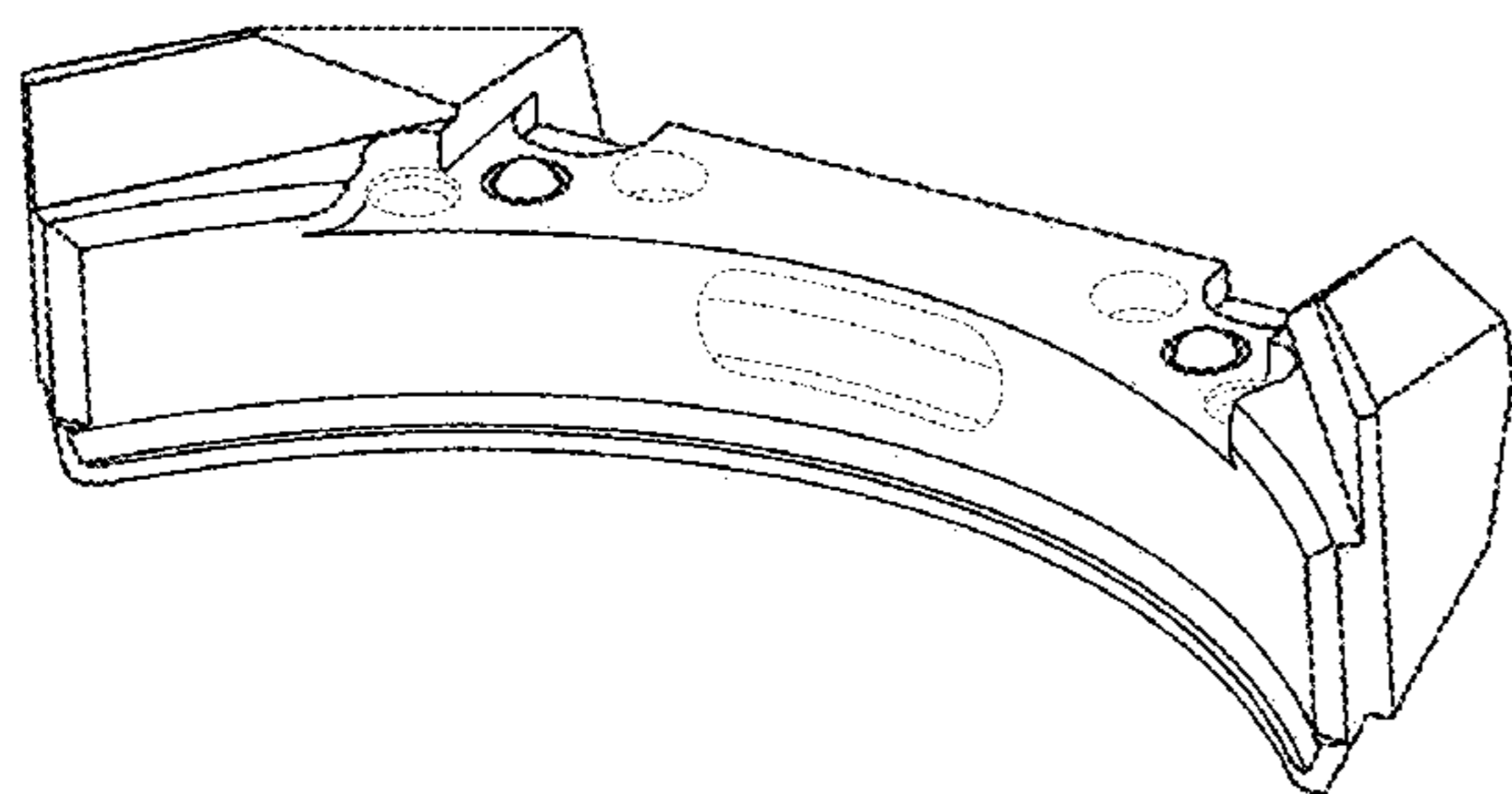
(57) **CLAIM**

The ornamental design for watch horn, as shown and
described.

DESCRIPTION

FIG. 1 is a top view of watch horn according to the present
invention;
FIG. 2 is a bottom view;
FIG. 3 is a left side view;
FIG. 4 is a right side view;
FIG. 5 is a front view;
FIG. 6 is a rear view;
FIG. 7 is a front perspective view; and,
FIG. 8 is a rear perspective view.
The portions of the article shown in broken lines from no
part of the claimed design.

1 Claim, 4 Drawing Sheets



(56)

References Cited

U.S. PATENT DOCUMENTS

2014/0096345 A1* 4/2014 Tschumi G04B 37/1486
24/265 B
2014/0098649 A1* 4/2014 Tschumi G04B 37/1486
368/282
2014/0353349 A1* 12/2014 De Oliveira A44C 5/14
224/164
2015/0107299 A1* 4/2015 Knuchel A44C 5/02
63/3.2
2016/0037877 A1* 2/2016 Perkins A44C 5/14
224/164
2017/0086538 A1* 3/2017 Sahaan A44C 5/14
2017/0181510 A1* 6/2017 Novak A44C 5/147
2017/0185044 A1* 6/2017 Nicolas G04G 17/06

OTHER PUBLICATIONS

Tag Heuer Modular 45 Review| posted at digitaltrands.com Mar. 25,
2017 © 2018 Designtecnica Corporation[online][site visited Sep.
7, 2018]. Available from internet: <[https://www.digitaltrands.com/
wearables/tag-heuer-conected-modular-45-first-impressions-review/
> \(Year: 2017\).](https://www.digitaltrands.com/wearables/tag-heuer-conected-modular-45-first-impressions-review/)*

* cited by examiner

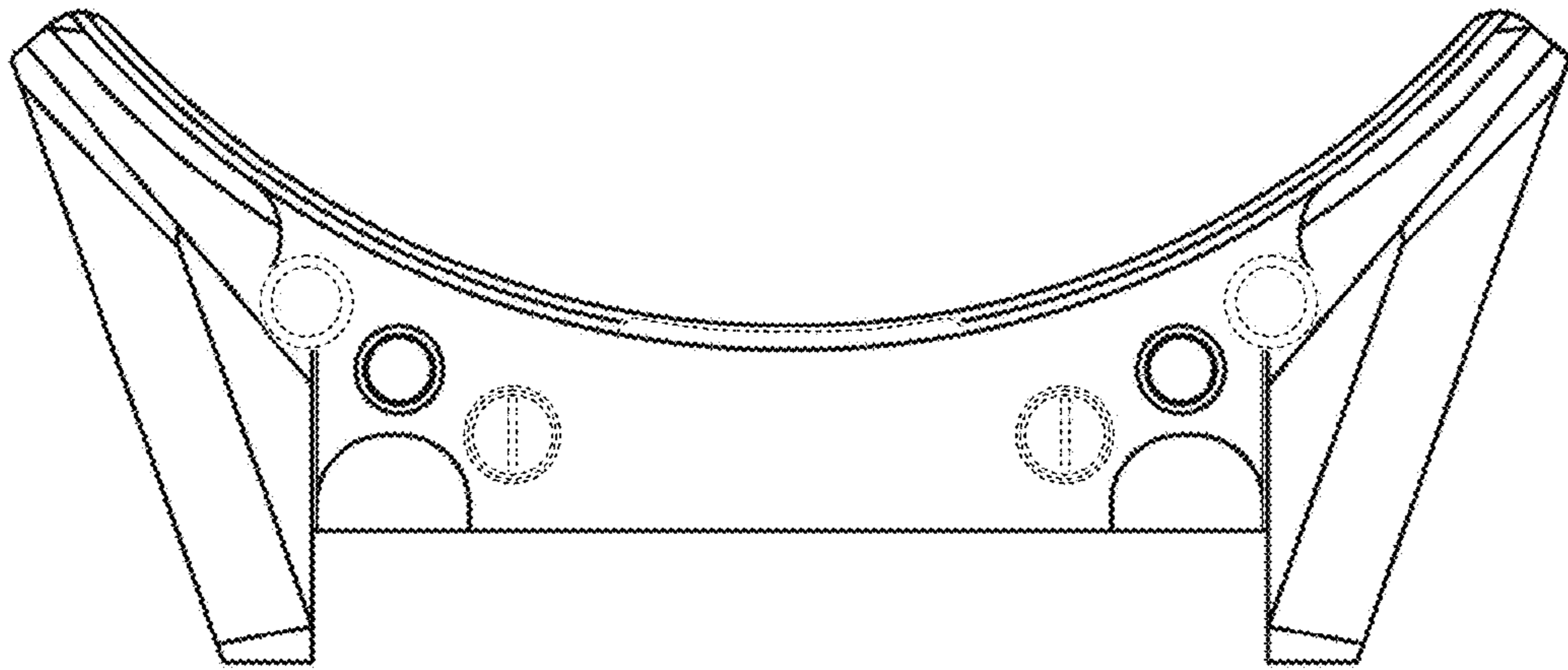


Fig. 1

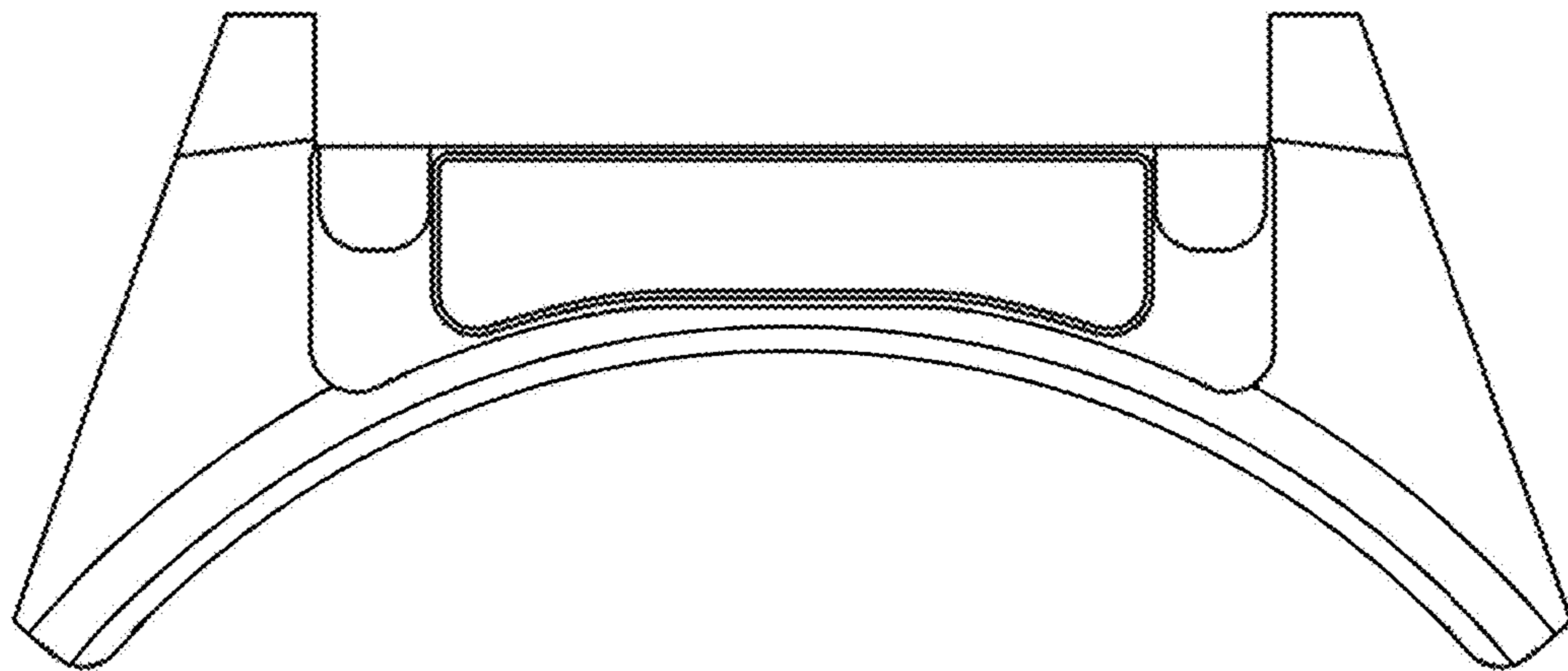


Fig. 2

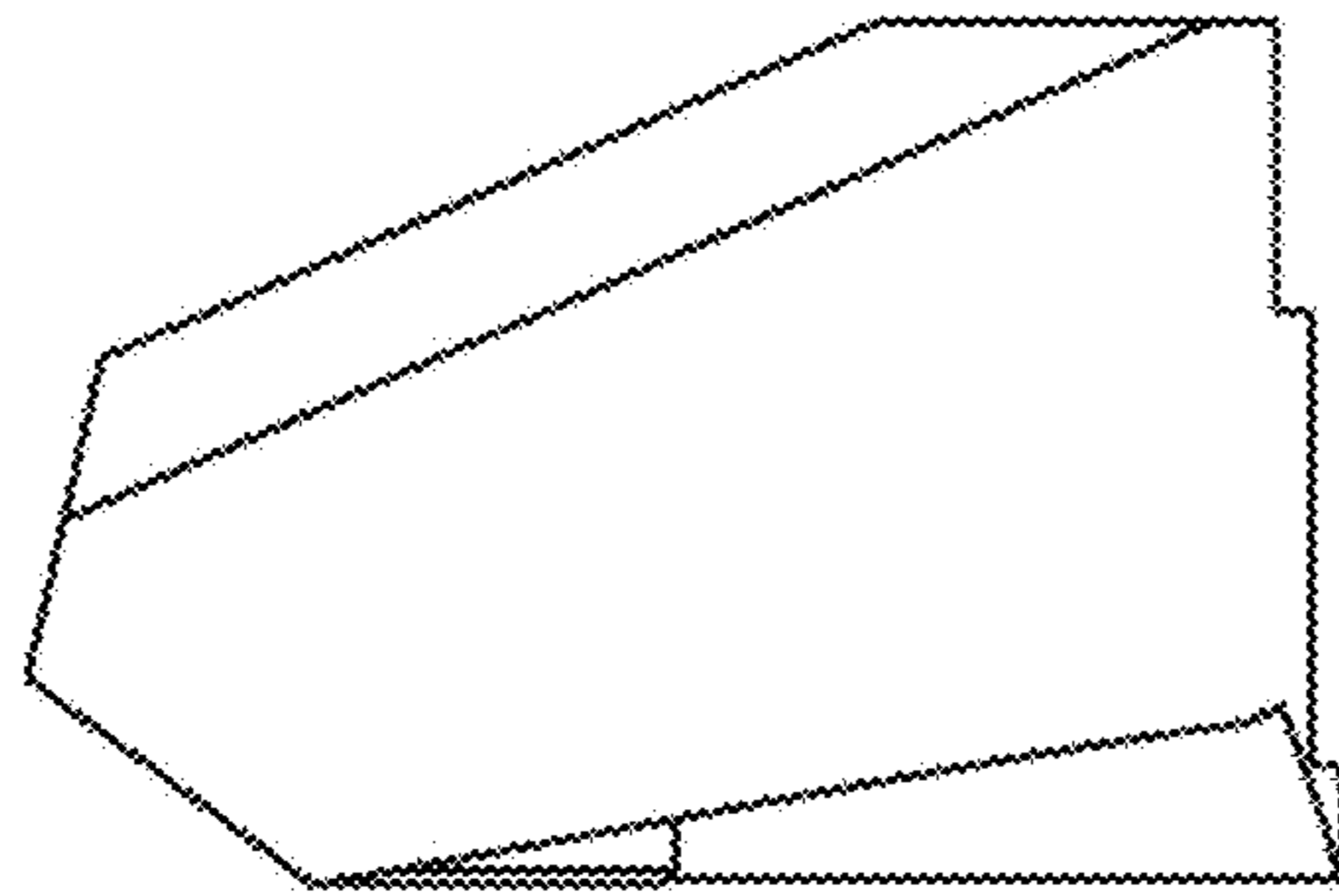


Fig. 3

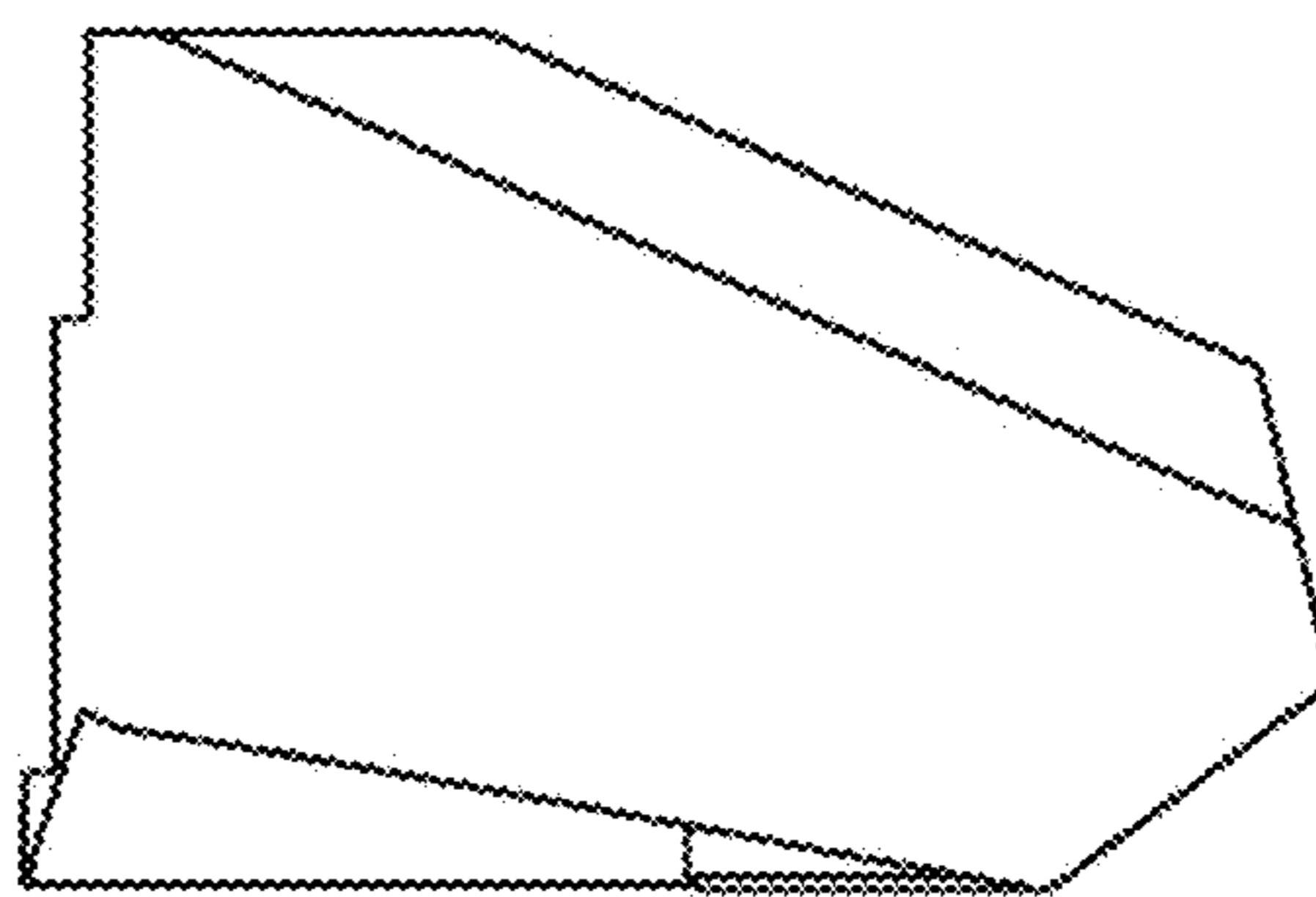


Fig. 4

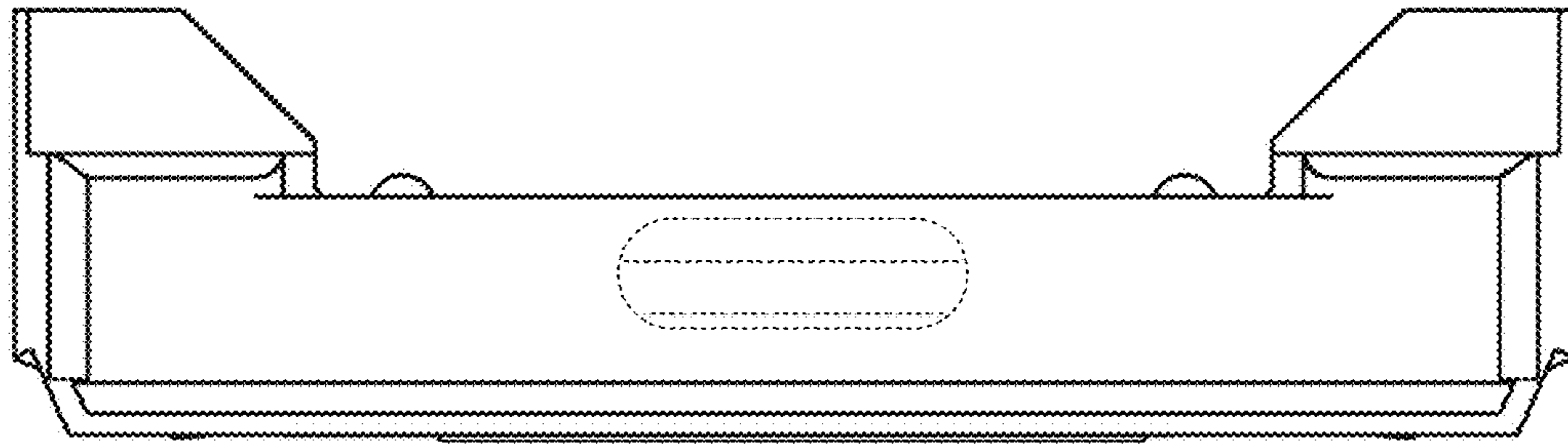


Fig. 5

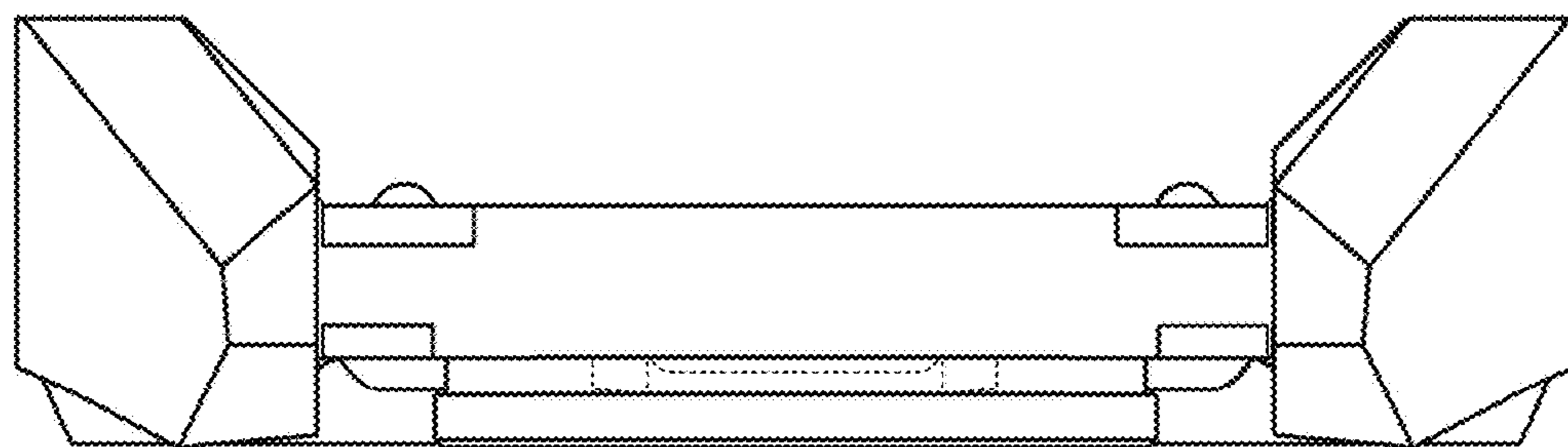


Fig. 6

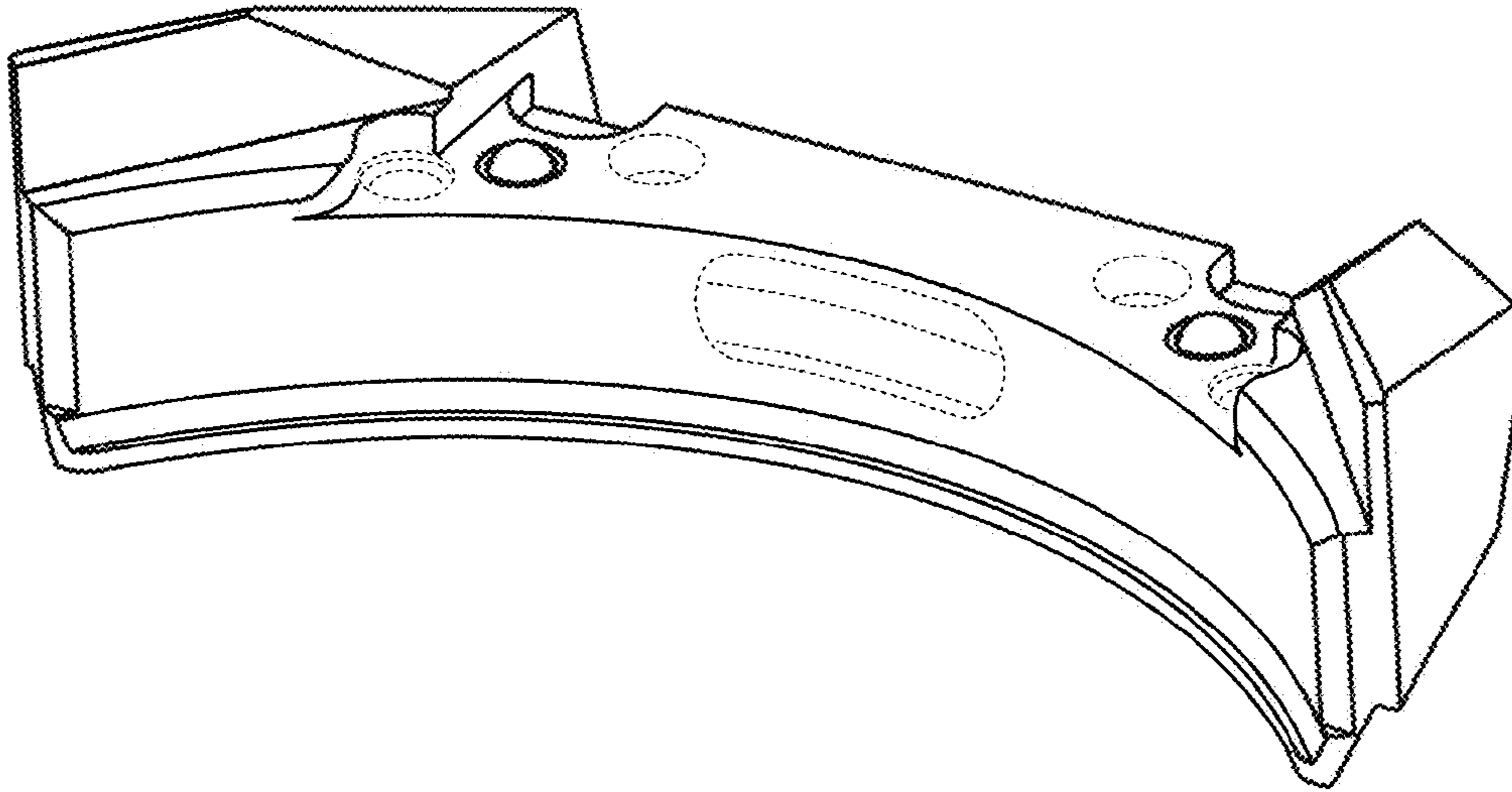


Fig. 7

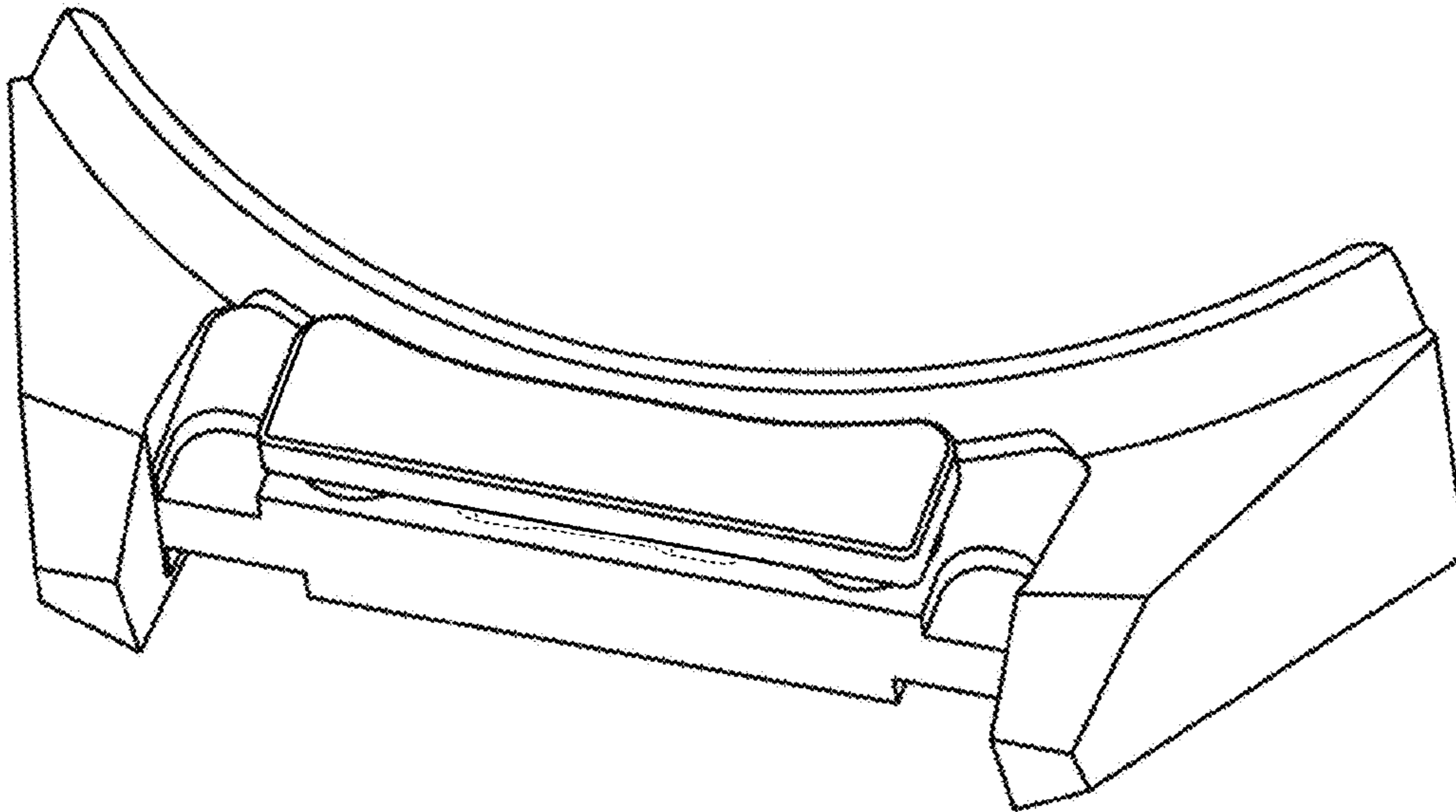


Fig. 8