

US00D867915S

(12) **United States Design Patent**
Matusik et al.

(10) **Patent No.:** **US D867,915 S**

(45) **Date of Patent:** **** Nov. 26, 2019**

- (54) **GAS FLOW INDICATOR DEVICE**
- (71) Applicant: **VPAS Group Pty Ltd**, Victoria (AU)
- (72) Inventors: **Matthew Matusik**, Victoria (AU);
Mirko Tappero, Victoria (AU)
- (73) Assignee: **VPAS GROUP PTY LTD**, Malvern East, Victoria (AU)
- (**) Term: **15 Years**
- (21) Appl. No.: **29/673,488**
- (22) Filed: **Dec. 14, 2018**

Related U.S. Application Data

- (62) Division of application No. 29/609,115, filed on Jun. 28, 2017, now Pat. No. Des. 839,118.
- (51) **LOC (12) Cl.** **10-04**
- (52) **U.S. Cl.**
USPC **D10/96; D24/110.6**
- (58) **Field of Classification Search**
USPC **D10/96; D24/110.6**
CPC .. **A61M 16/0003; A61M 16/06; A61M 16/08;**
A61M 16/20; A61M 2016/003; A61M
2205/3334; G01F 15/06
See application file for complete search history.

(56) **References Cited**

U.S. PATENT DOCUMENTS

- 2015/0196723 A1* 7/2015 Matusik A61M 16/06
128/205.23
 - 2019/0160245 A1* 5/2019 Zachar A61M 16/0463
- * cited by examiner

Primary Examiner — Antoine Duval Davis

(74) *Attorney, Agent, or Firm* — Muncy, Geissler, Olds & Lowe, P.C.

(57) **CLAIM**

The ornamental design for a gas flow indicator device, as shown and described.

DESCRIPTION

FIG. 1 is a front, top perspective view of a gas flow indicator device showing our new design, with the indicator concealed;

FIG. 2 is a rear, bottom perspective view thereof, with the indicator concealed;

FIG. 3 is a front, top perspective view thereof, with the indicator exposed;

FIG. 4 is a front elevational view thereof, with the indicator concealed;

FIG. 5 is a front elevational view thereof, with the indicator exposed;

FIG. 6 is a rear elevational view thereof, with the indicator concealed;

FIG. 7 is a left side view thereof, with the indicator concealed;

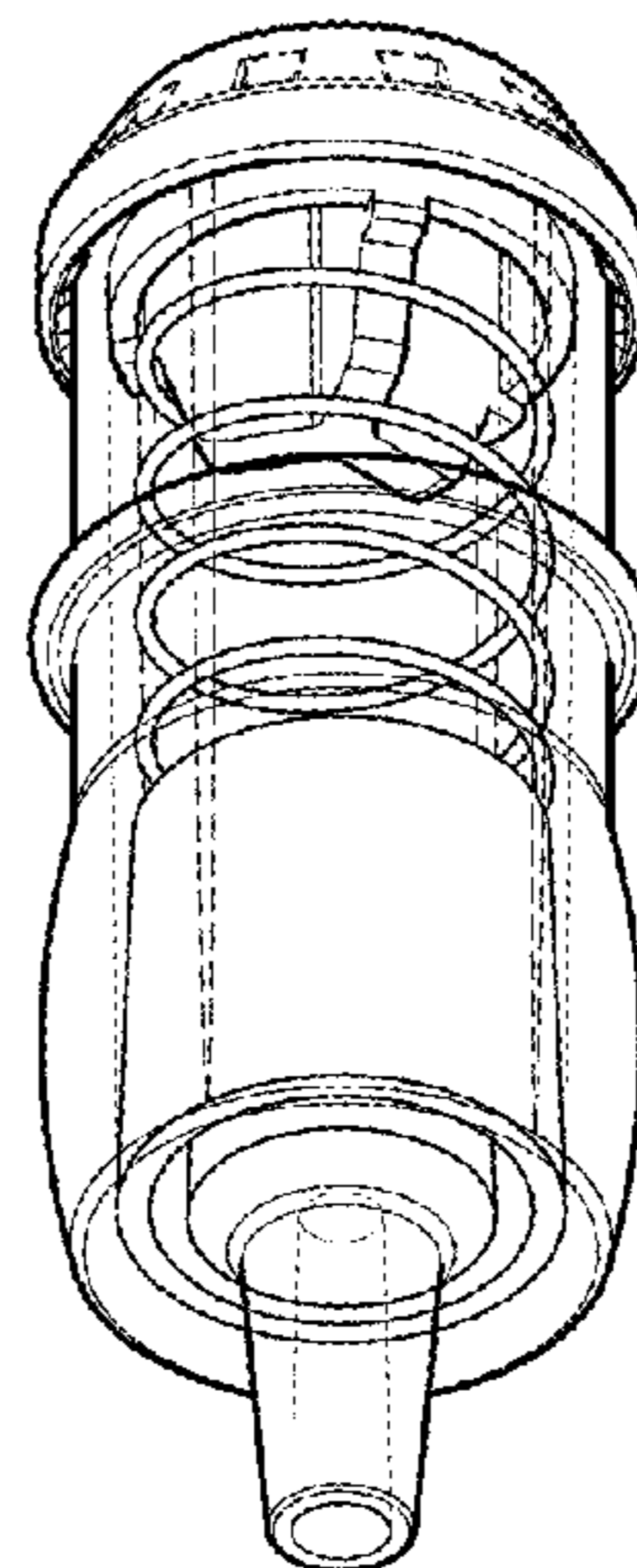
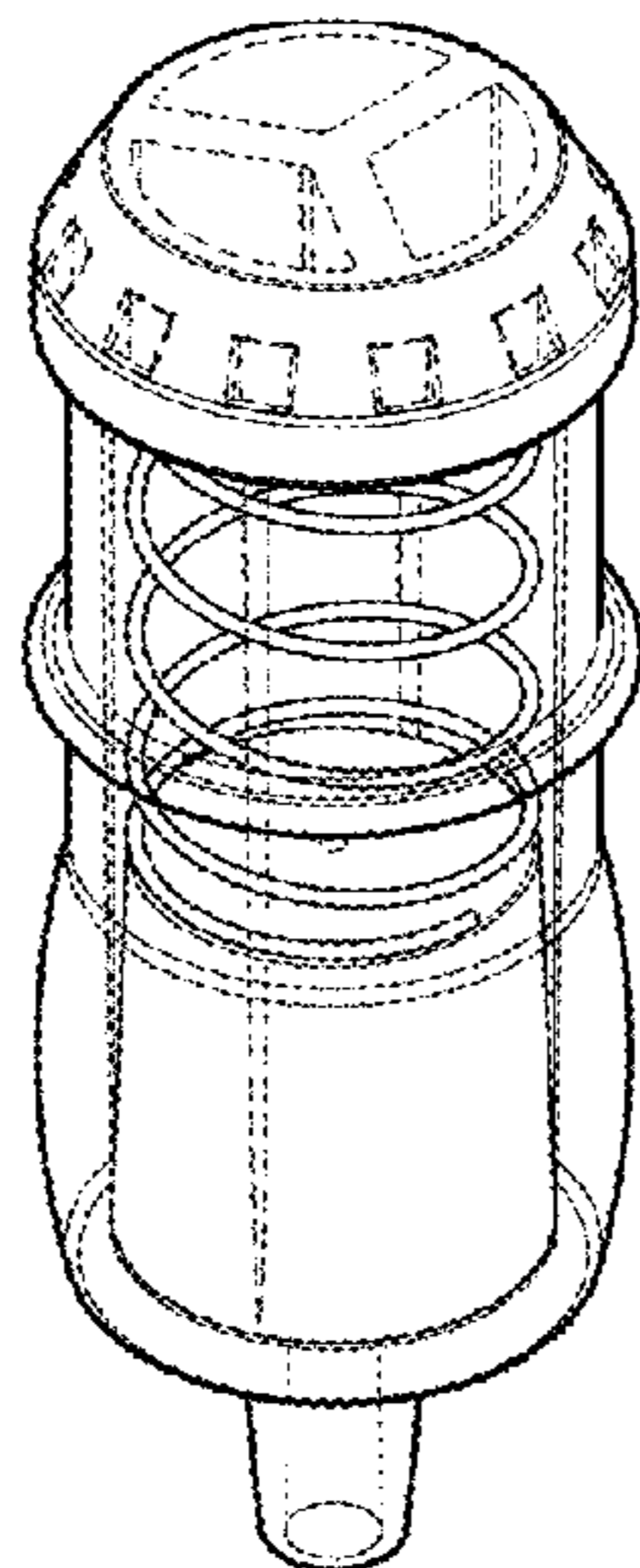
FIG. 8 is a right side view thereof, with the indicator concealed;

FIG. 9 is a top plan view thereof; and,

FIG. 10 is a bottom plan view thereof.

The broken lines illustrate portions of the gas flow indicator device which form no part of the claimed design.

1 Claim, 5 Drawing Sheets



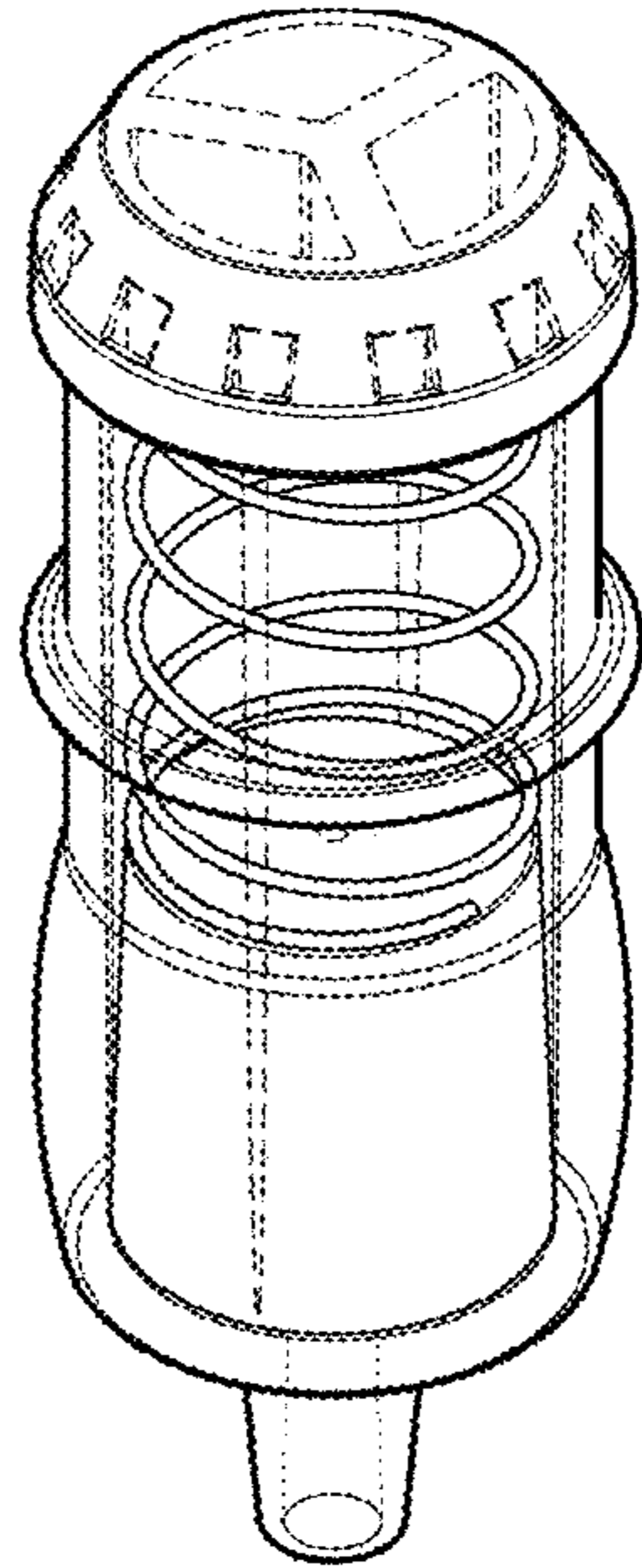


FIG. 1

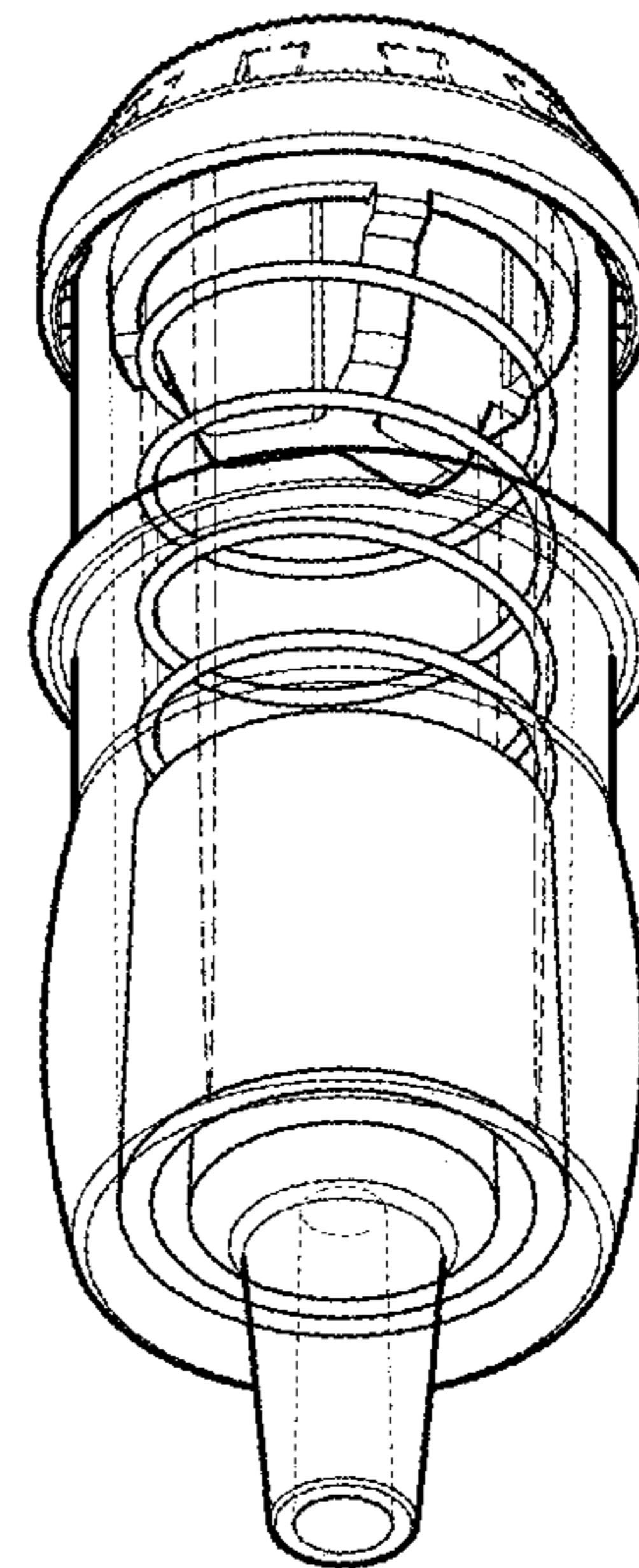


FIG. 2

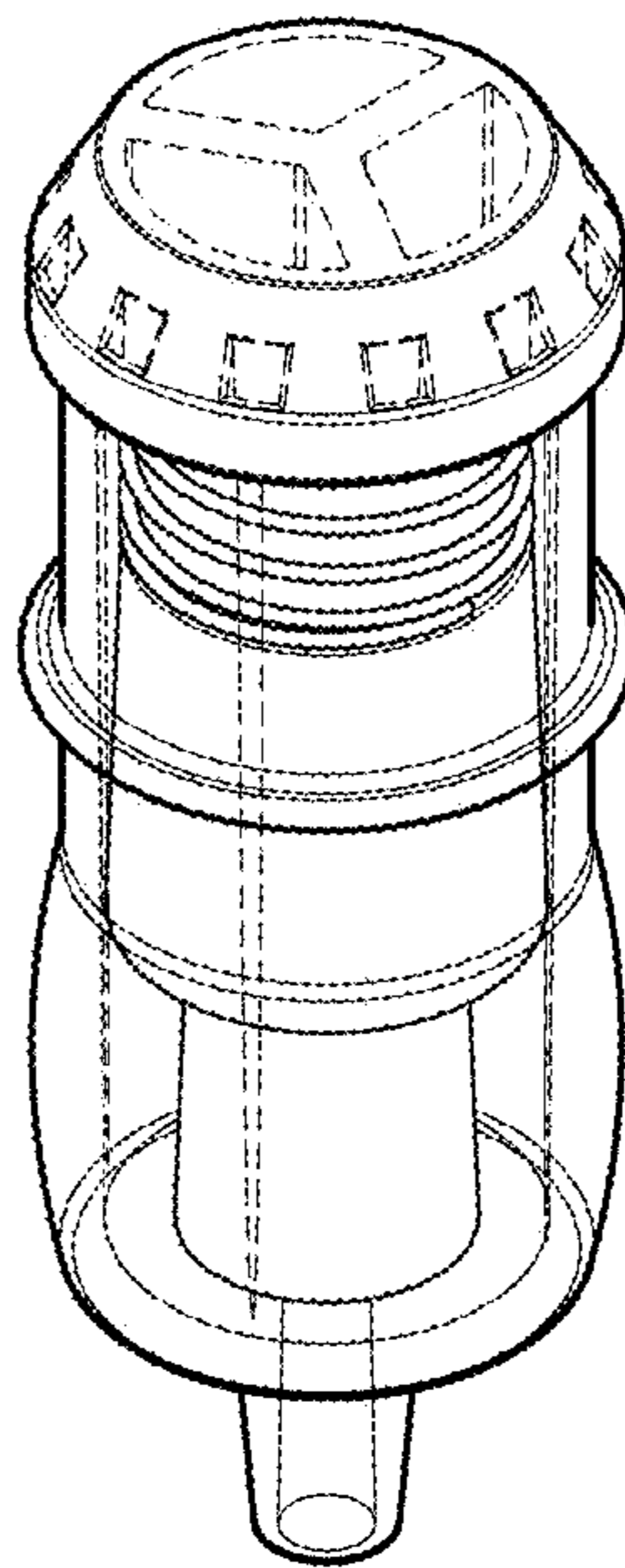


FIG. 3

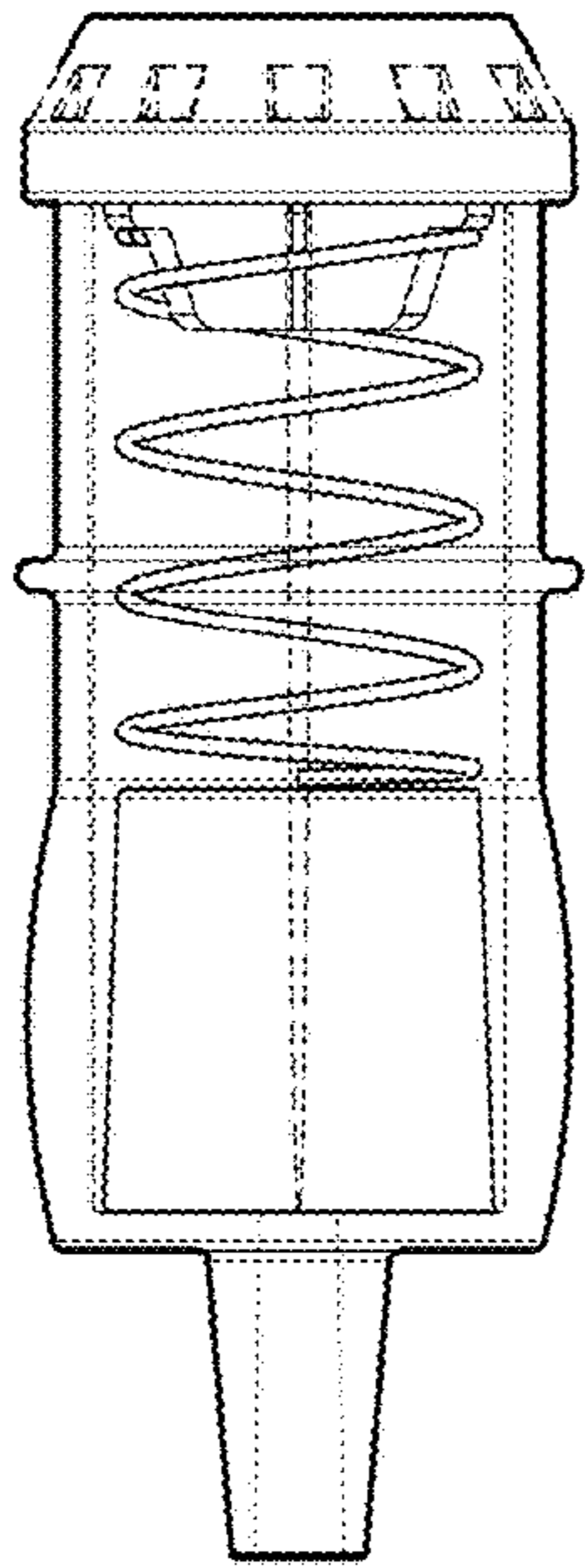


FIG. 4

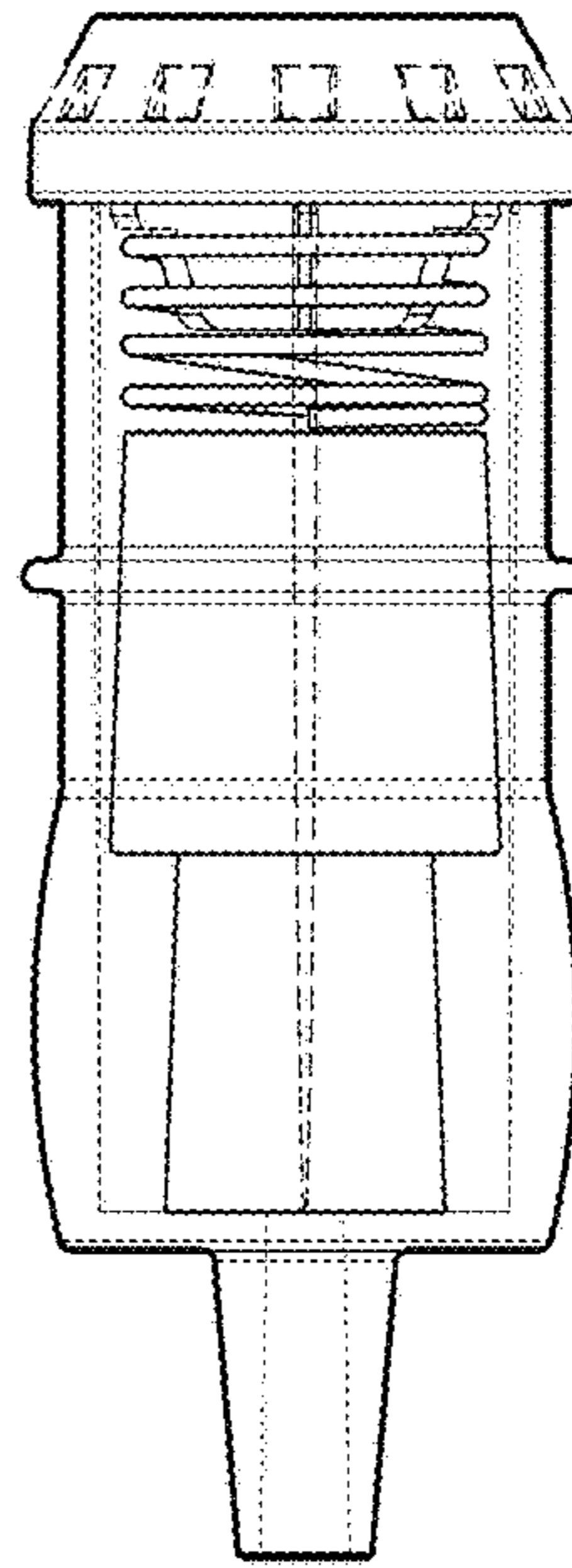


FIG. 5

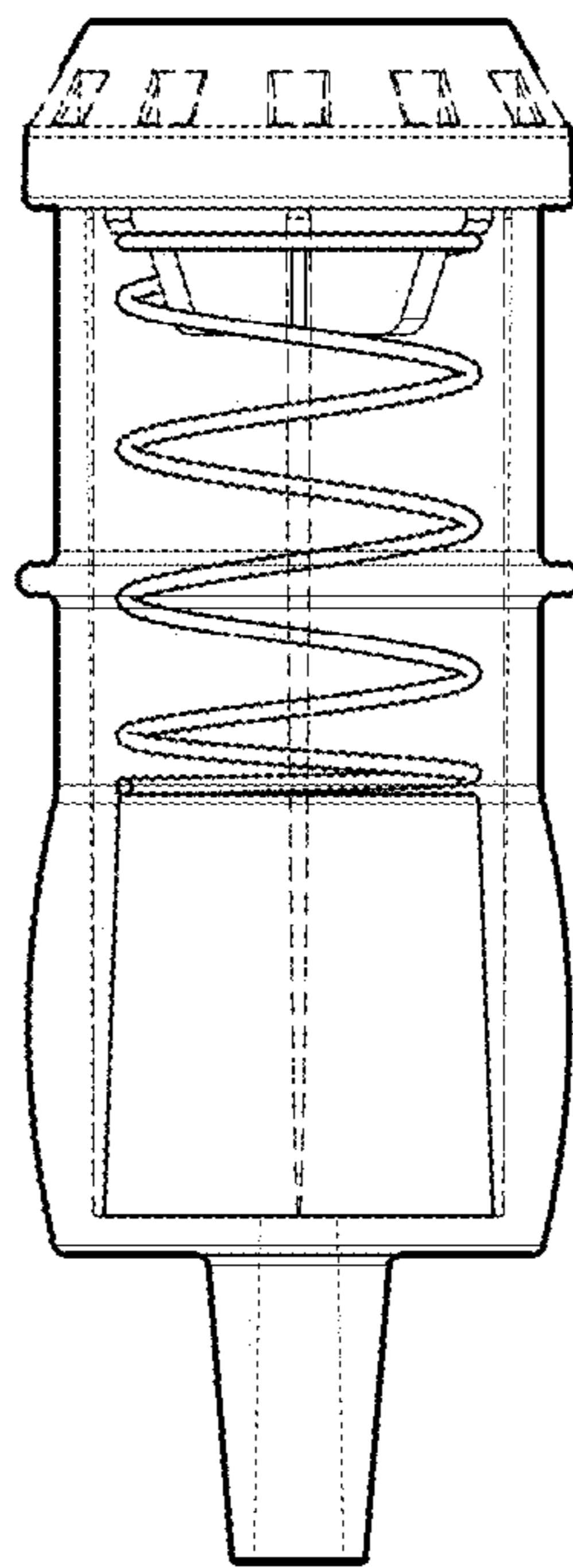


FIG. 6

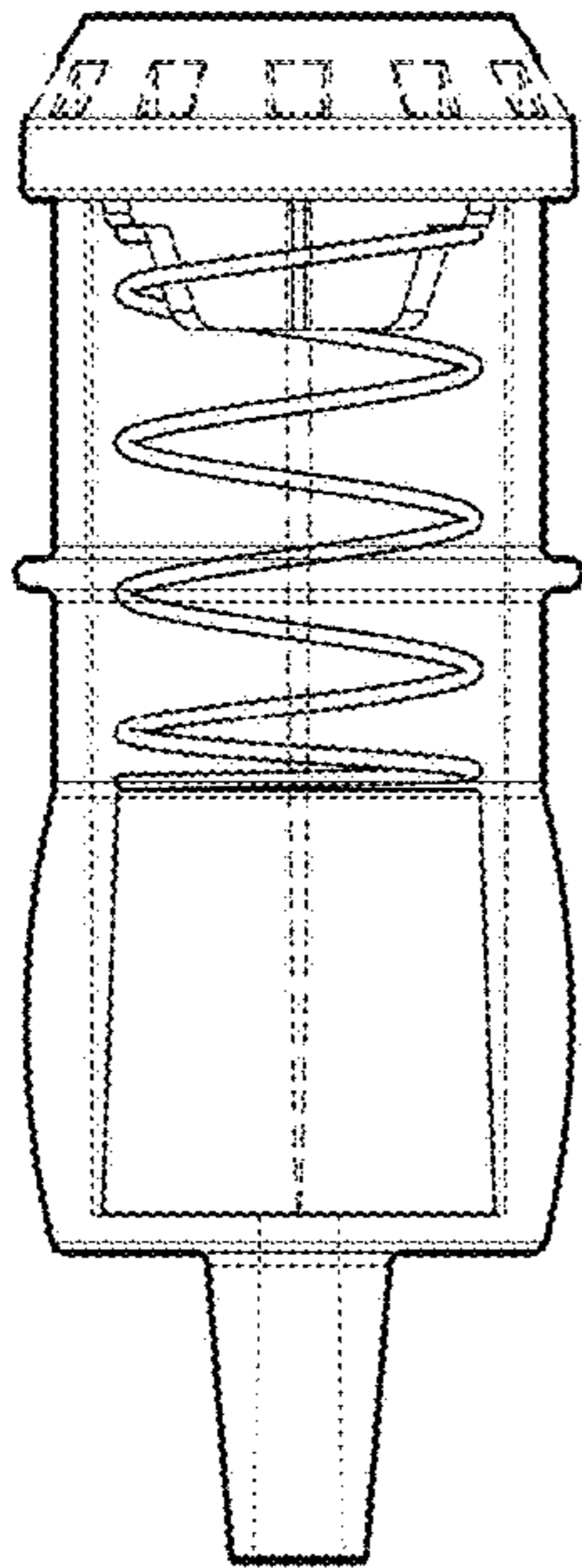


FIG. 7

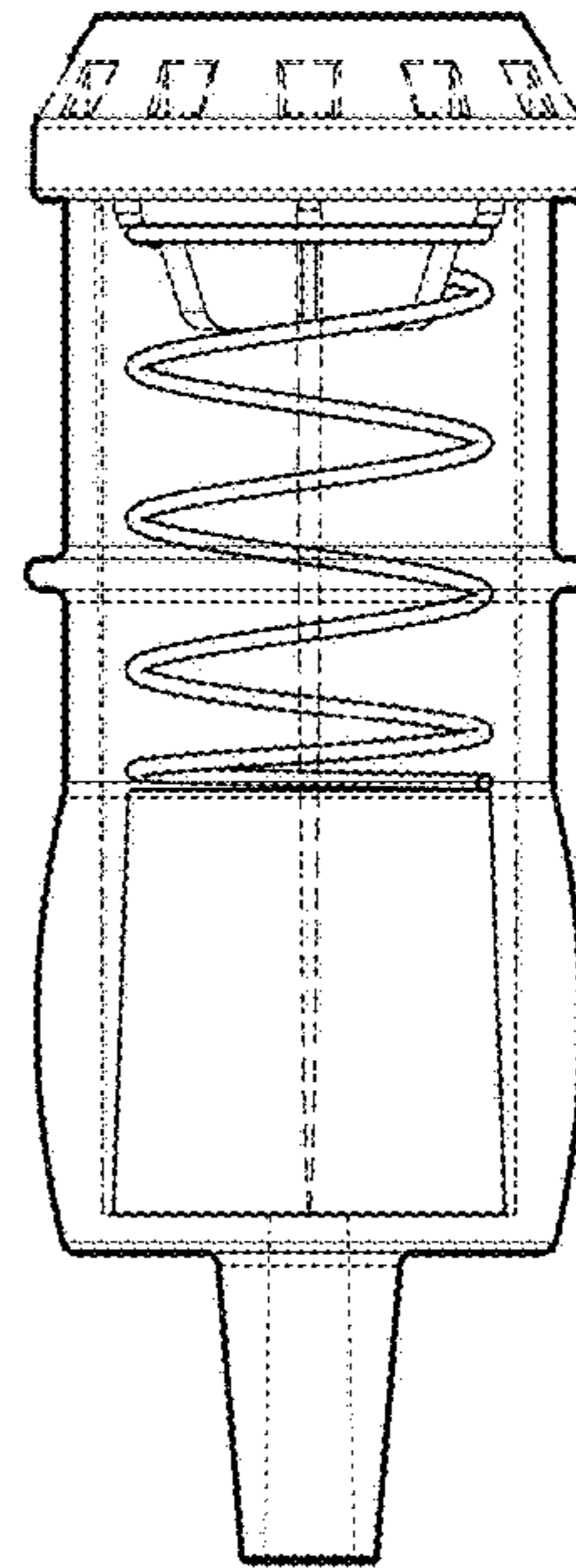


FIG. 8

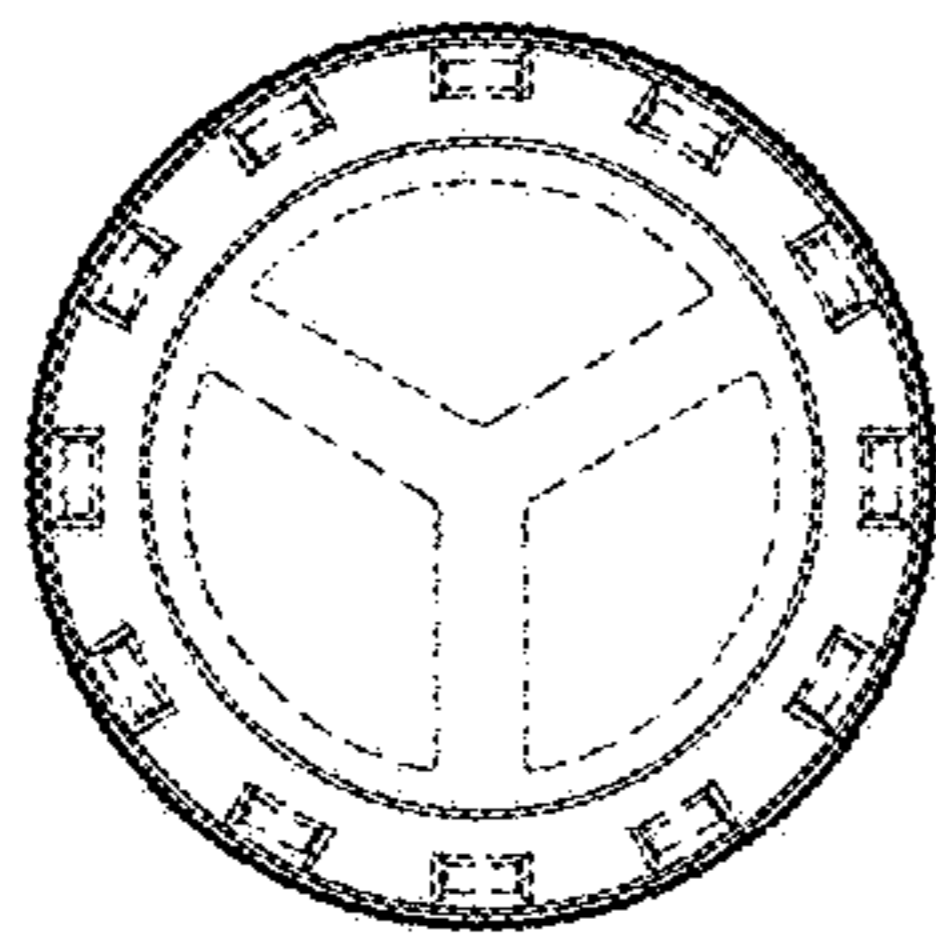


FIG. 9

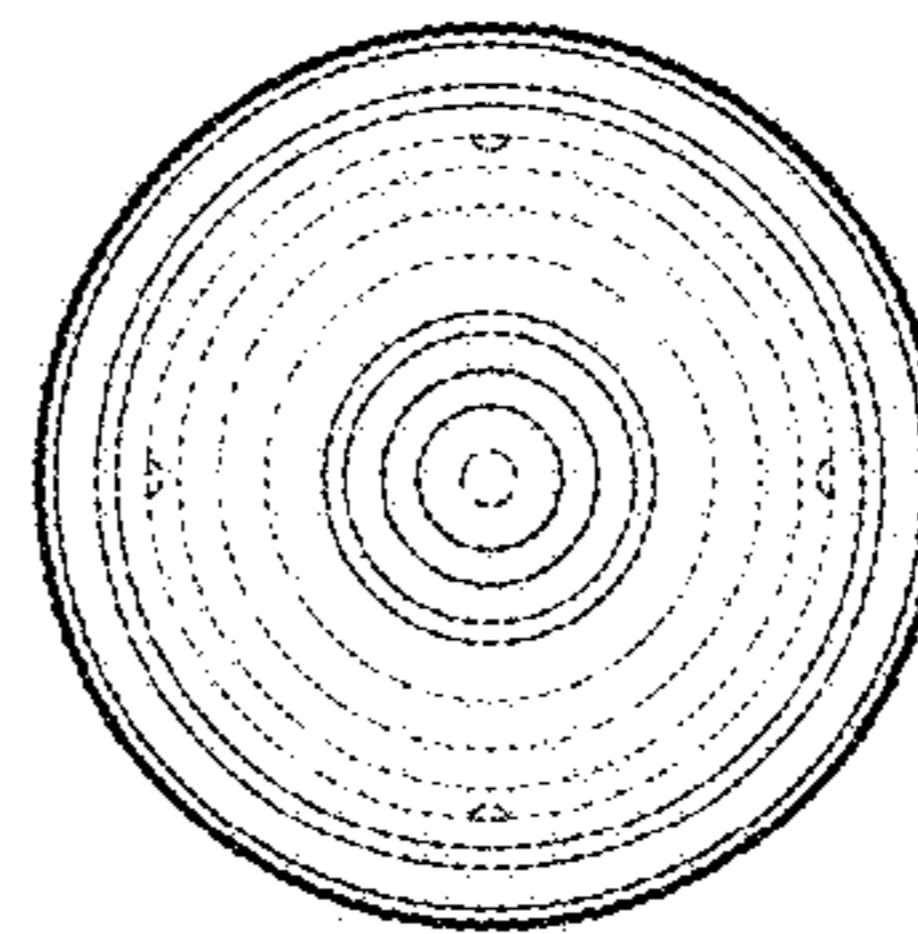


FIG. 10