



US00D867913S

(12) **United States Design Patent** (10) **Patent No.:** **US D867,913 S**
Hietala et al. (45) **Date of Patent:** **** Nov. 26, 2019**

(54) **FLOW SENSOR**

(71) Applicant: **General Electric Company**,
Schenectady, NY (US)

(72) Inventors: **Mika Hietala**, Espoo (FI); **Timo Holopainen**, Helsinki (FI)

(73) Assignee: **General Electric Company**,
Schenectady, NY (US)

(**) Term: **15 Years**

(21) Appl. No.: **29/640,853**

(22) Filed: **Mar. 16, 2018**

(51) **LOC (12) Cl.** **10-04**

(52) **U.S. Cl.**
USPC **D10/96; D24/129**

(58) **Field of Classification Search**
USPC D10/96; D24/110.6, 129, 164
CPC G01F 1/40; G01F 1/42; G01F 1/44; G01F 1/46; G01F 1/74; G01F 11/003; G01F 11/006; G01N 21/03; G01N 21/05; G01N 2021/0378; G01N 2021/0382; G01N 2021/052; G01N 2021/054; G01N 2021/056; G01N 2021/058; A61M 16/08; A61M 16/085; A61M 16/0858; A61M 16/0051; A61M 2016/0036; A61M 2016/1025; A61M 2016/103; A61M 2016/1035; A61M 2230/432; A61M 2230/435

See application file for complete search history.

(56) **References Cited**

U.S. PATENT DOCUMENTS

D266,695 S 10/1982 Trammll et al.
5,873,361 A * 2/1999 Hakala A61M 16/08
128/204.22
D587,611 S 3/2009 Oshima et al.
D590,481 S 4/2009 Stimpson
7,607,360 B2 * 10/2009 Todokoro G01F 1/46
73/861.61

D623,302 S 9/2010 Barrett et al.
D659,835 S 5/2012 Benson
2007/0193581 A1* 8/2007 Laurila A61M 16/08
128/204.18

(Continued)

FOREIGN PATENT DOCUMENTS

FI 96579 C 7/1996

OTHER PUBLICATIONS

Hietala, M. et al., "An Ornamental Design for a Cap," U.S. Appl. No. 29/640,868, filed Mar. 16, 2018, 10 pages.

Primary Examiner — Antoine Duval Davis
(74) *Attorney, Agent, or Firm* — McCoy Russell LLP

(57) **CLAIM**

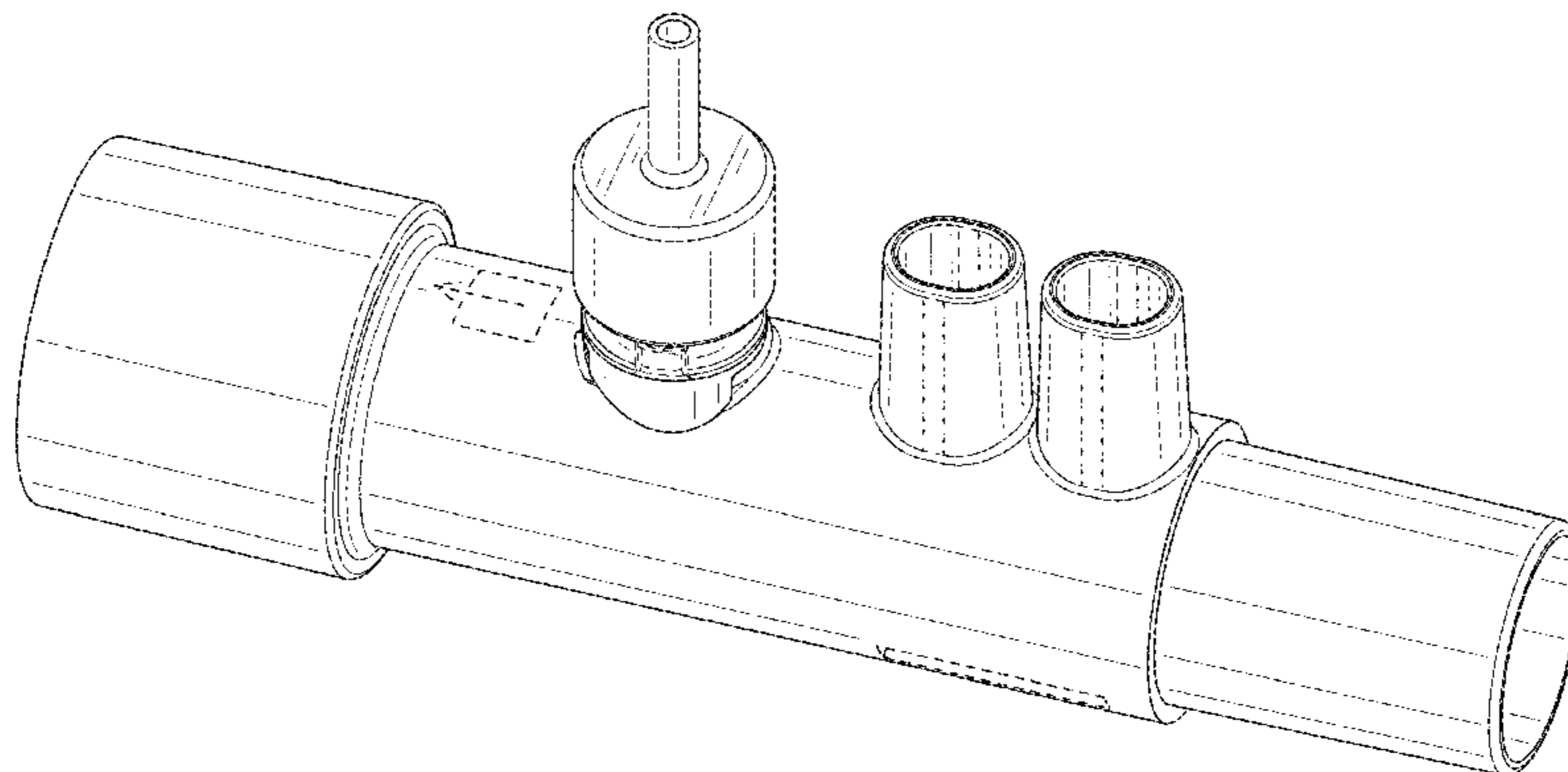
The ornamental design for a flow sensor, as shown and described.

DESCRIPTION

FIG. 1 is a front top perspective view of a flow sensor according to the present invention.
FIG. 2 is a front view of the flow sensor of FIG. 1.
FIG. 3 is a back view of the flow sensor of FIG. 1.
FIG. 4 is a left side view of flow sensor of FIG. 1.
FIG. 5 is a right side view of the flow sensor of FIG. 1.
FIG. 6 is a top view of the flow sensor of FIG. 1.
FIG. 7 is a bottom view of the flow sensor of FIG. 1; and, FIG. 8 is a front top perspective view of the flow sensor of FIG. 1 shown with spirometry connector caps and tubings in the environment.

The broken lines in FIGS. 1-8 are included for the purpose of illustrating environmental structure and form no part of the claimed design. The broken lines in FIG. 8 showing the spirometry sensor caps and tubings are included for the purpose of illustrating environmental structure and form no part of the claimed design.

1 Claim, 8 Drawing Sheets



(56)

References Cited

U.S. PATENT DOCUMENTS

2007/0265877 A1* 11/2007 Rice A61M 16/08
705/2

* cited by examiner

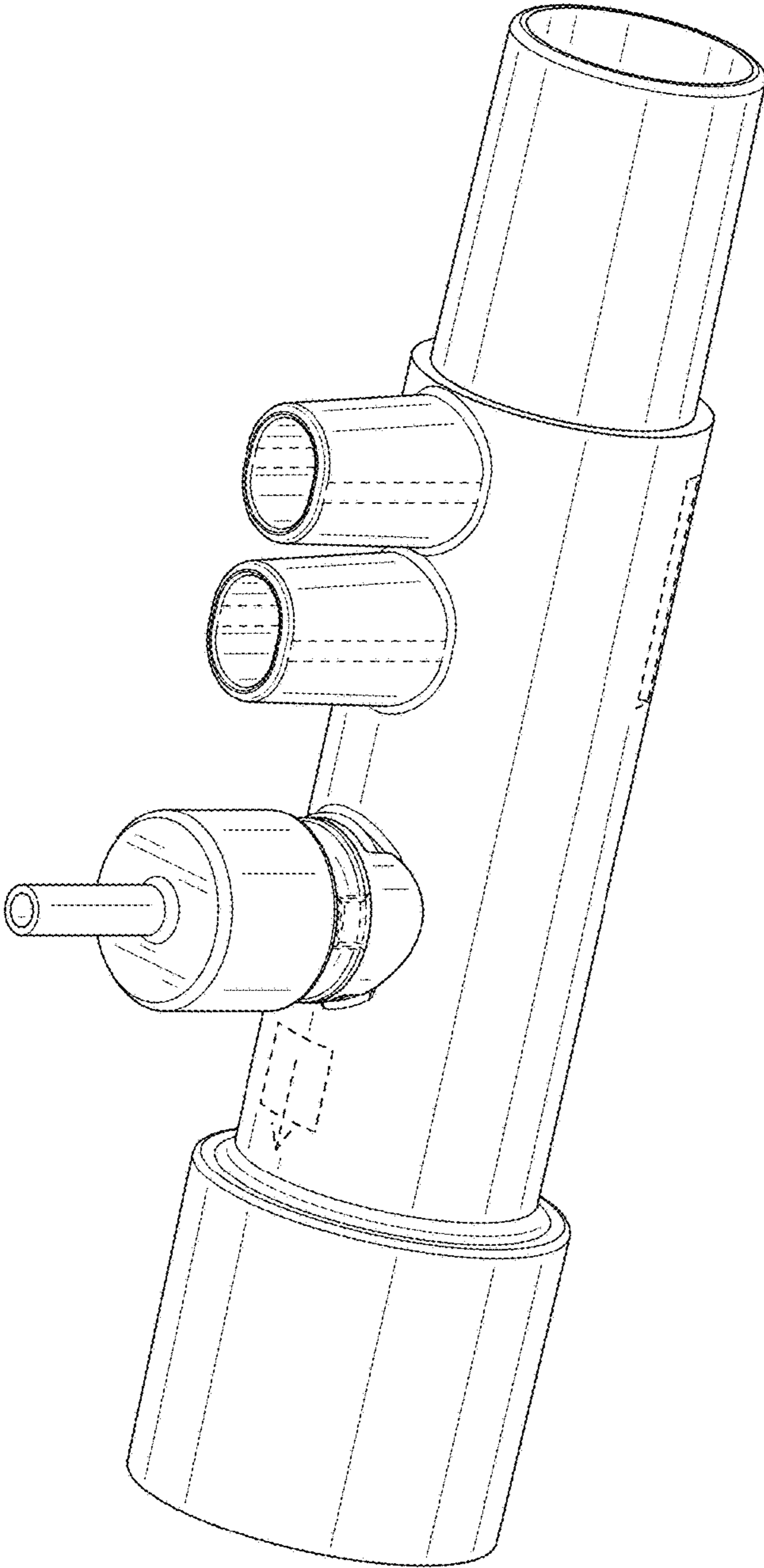


FIG. 1

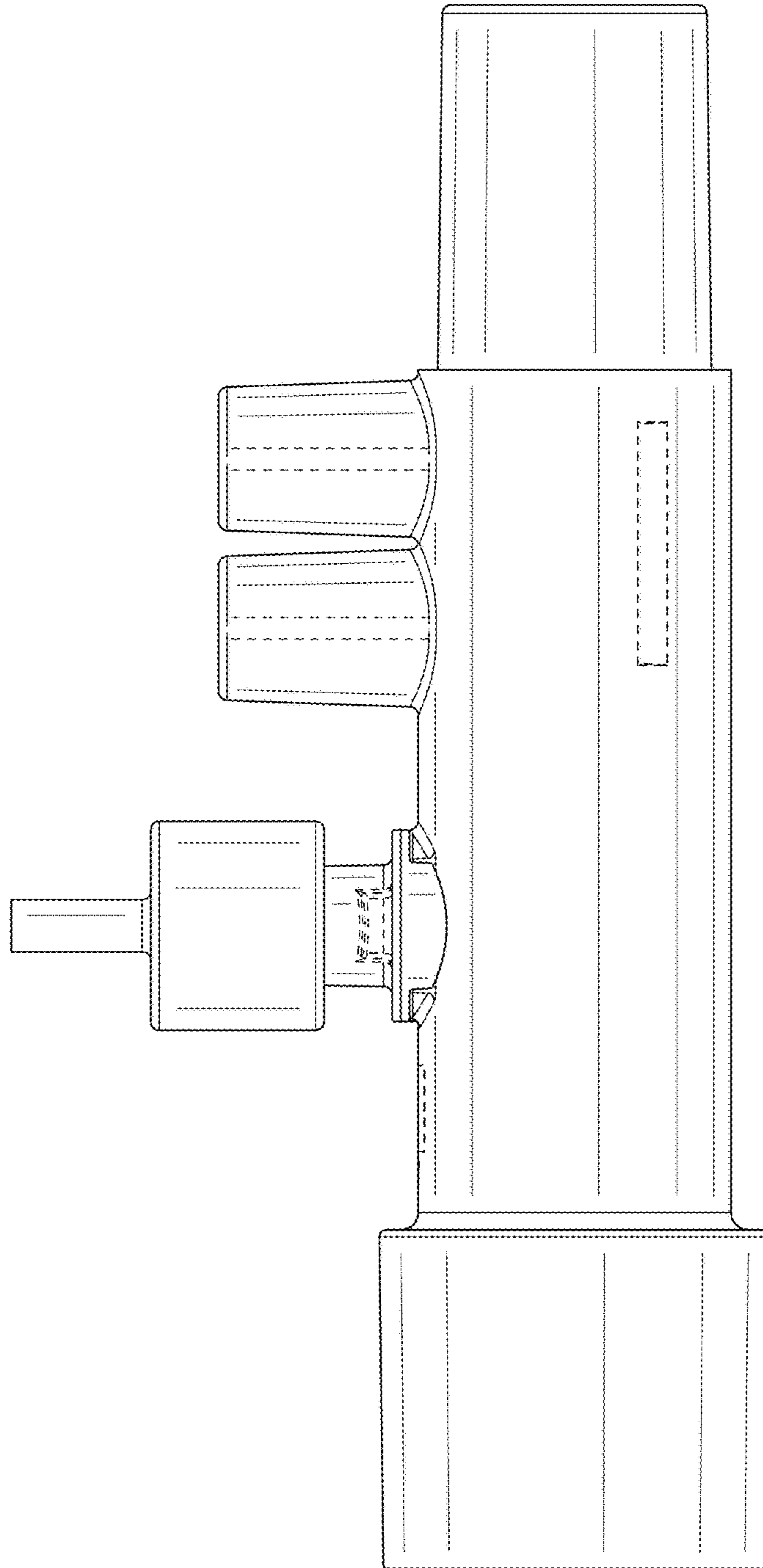


FIG. 2

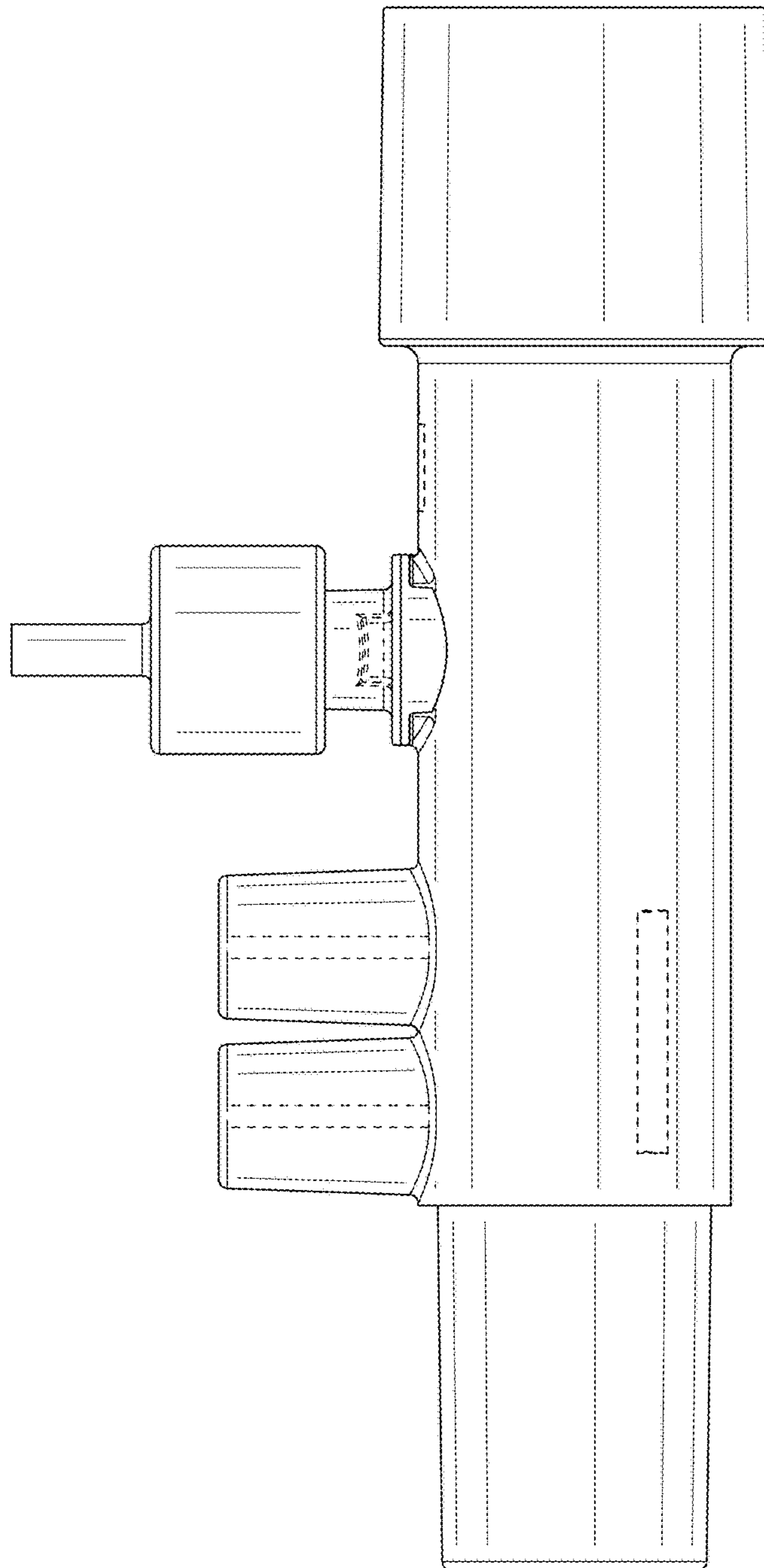


FIG. 3

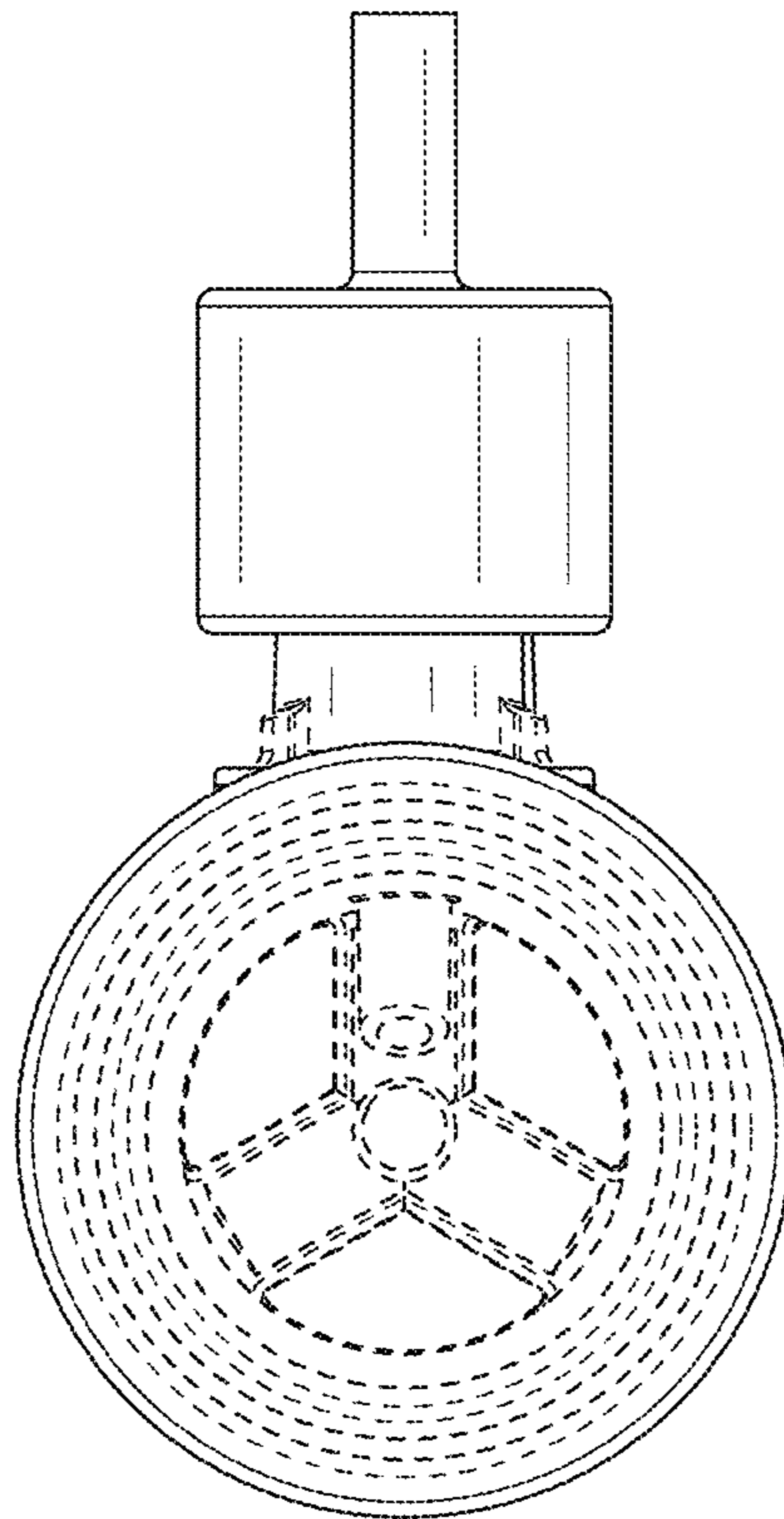


FIG. 4

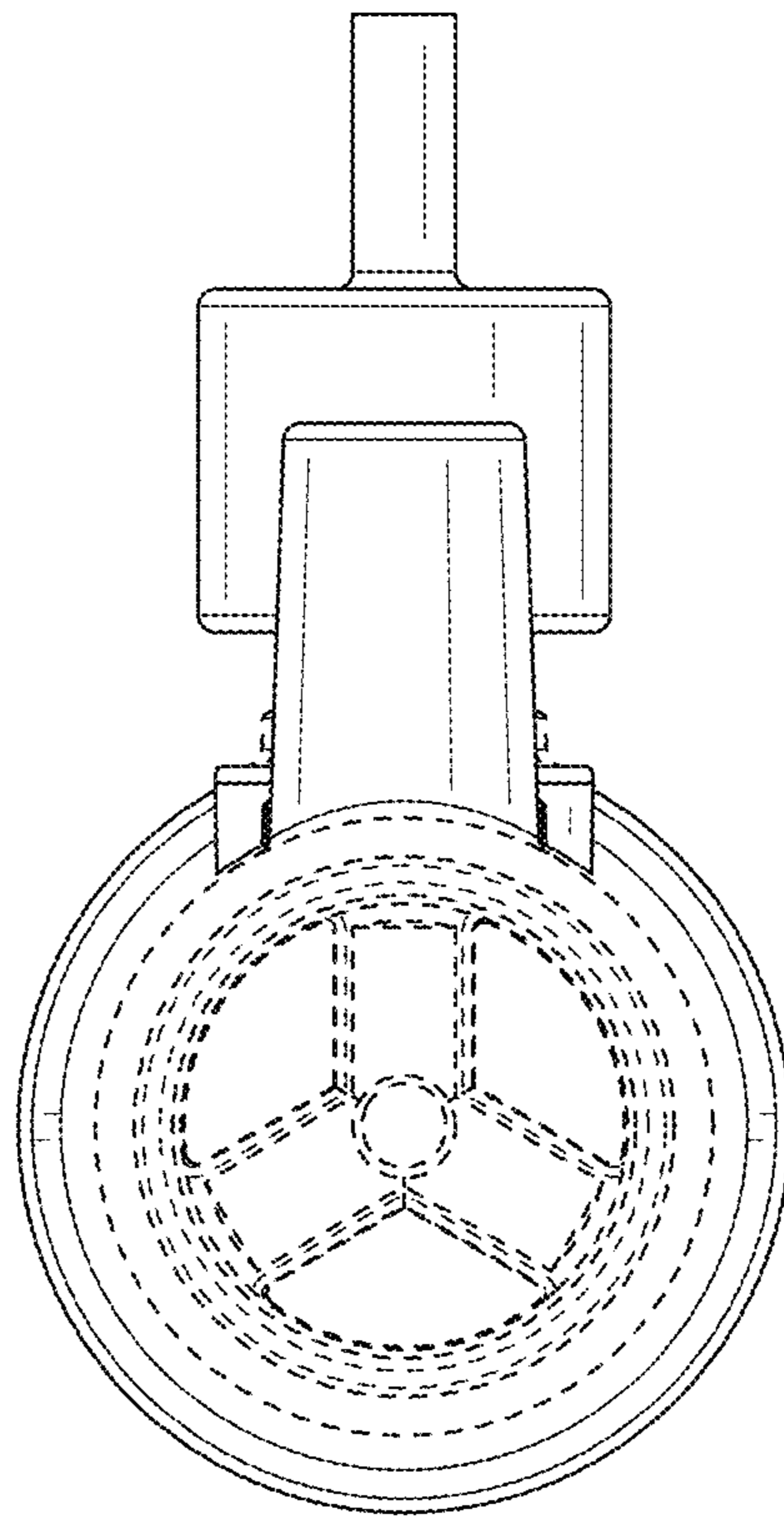


FIG. 5

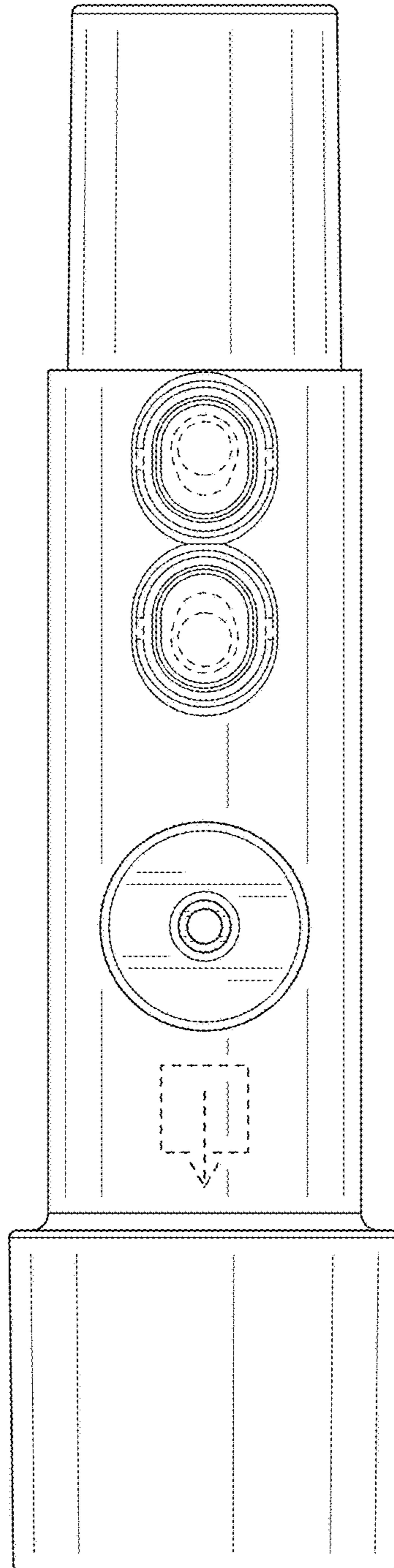


FIG. 6

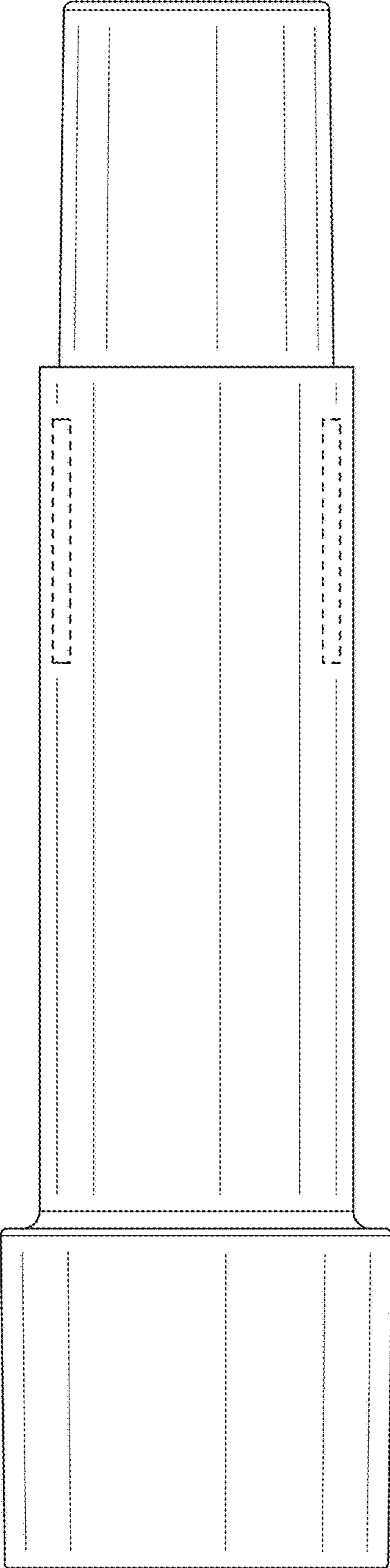


FIG. 7

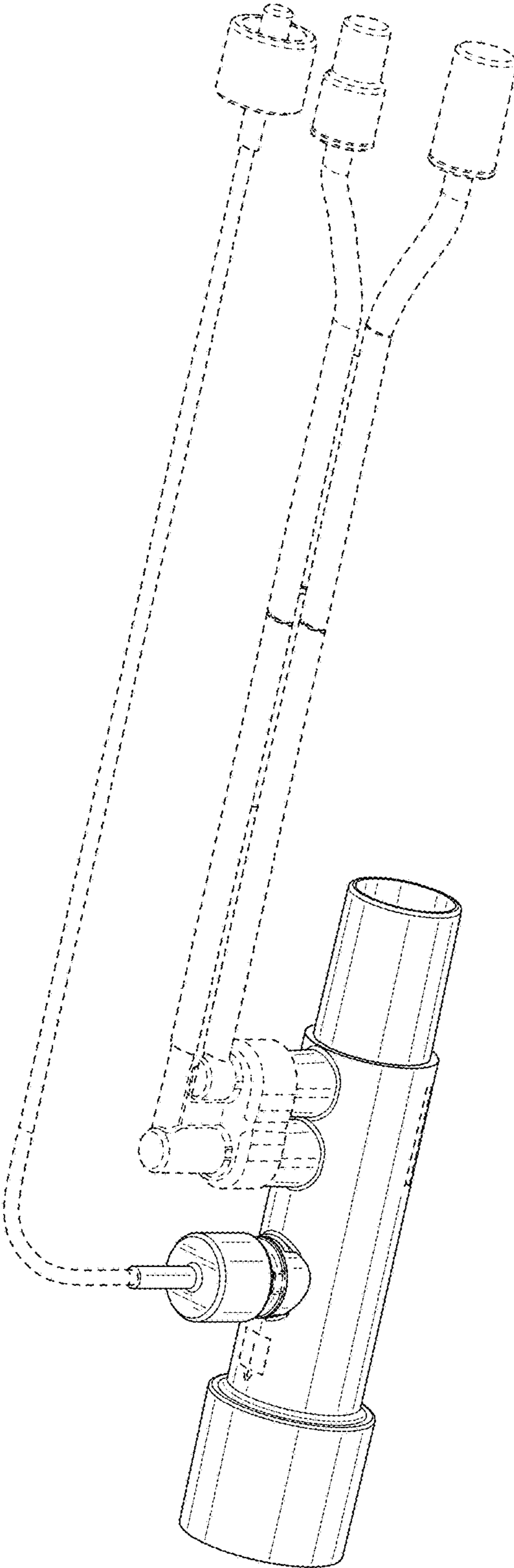


FIG. 8