



US00D867912S

(12) **United States Design Patent**  
**Osanai**

(10) **Patent No.:** **US D867,912 S**

(45) **Date of Patent:** **\*\* Nov. 26, 2019**

(54) **PRESSURE SENSOR**

(71) Applicant: **FUJIKURA LTD.**, Tokyo (JP)

(72) Inventor: **Kiyotaka Osanai**, Tokyo (JP)

(73) Assignee: **FUJIKURA LTD.**, Tokyo (JP)

(\*\*) Term: **15 Years**

(21) Appl. No.: **29/650,820**

(22) Filed: **Jun. 11, 2018**

(30) **Foreign Application Priority Data**

Dec. 15, 2017 (JP) ..... 2017-028017

(51) **LOC (12) Cl.** ..... **10-04**

(52) **U.S. Cl.**  
USPC ..... **D10/85**

(58) **Field of Classification Search**

USPC ..... D10/83, 84, 85

CPC ..... G01L 1/00-1/26; G01L 3/00-3/26; G01L

5/00-5/288; G01L 7/00-7/24; G01L

9/00-9/18; G01L 2209/0063-2009/0069;

G01L 11/00-11/06; G01L 13/00-13/06;

G01L 15/00; G01L 17/00; G01L 17/005;

G01L 19/00-19/16; G01L 2019/0053;

G01L 21/00-21/36; G01L 23/00-23/32;

G01L 2023/228; G01L 25/00-25/006;

G01L 27/00-27/02

See application file for complete search history.

(56) **References Cited**

**U.S. PATENT DOCUMENTS**

10,203,256 B2 \* 2/2019 Fahimi ..... G01L 13/04

**OTHER PUBLICATIONS**

Office Action issued in corresponding Japanese Application No. 2017-028017 dated Oct. 31, 2018 (6 pages).

The design for “Semiconductor Pressure Sensor” with a cylinder part, Japanese magazine titled “Nikkei Microdevices,” p. 122, vol. 227, issued Jul. 1, 2008 (2 pages).

\* cited by examiner

*Primary Examiner* — Antoine Duval Davis

(74) *Attorney, Agent, or Firm* — Osha Liang LLP

(57) **CLAIM**

The ornamental design for a pressure sensor, as shown and described.

**DESCRIPTION**

FIG. 1 is a top front perspective view of the pressure sensor; FIG. 2 is a bottom front perspective view of the pressure sensor of FIG. 1;

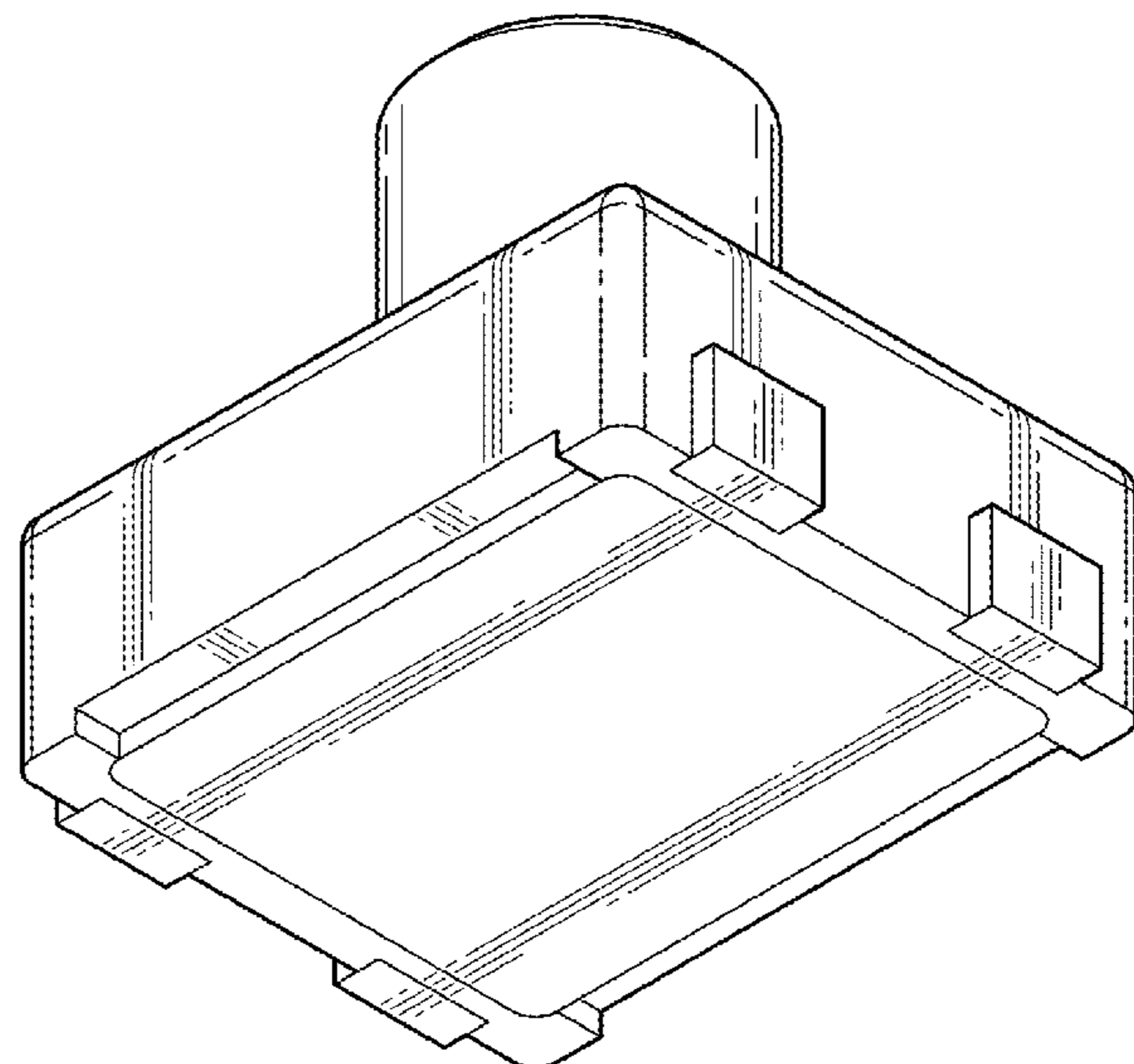
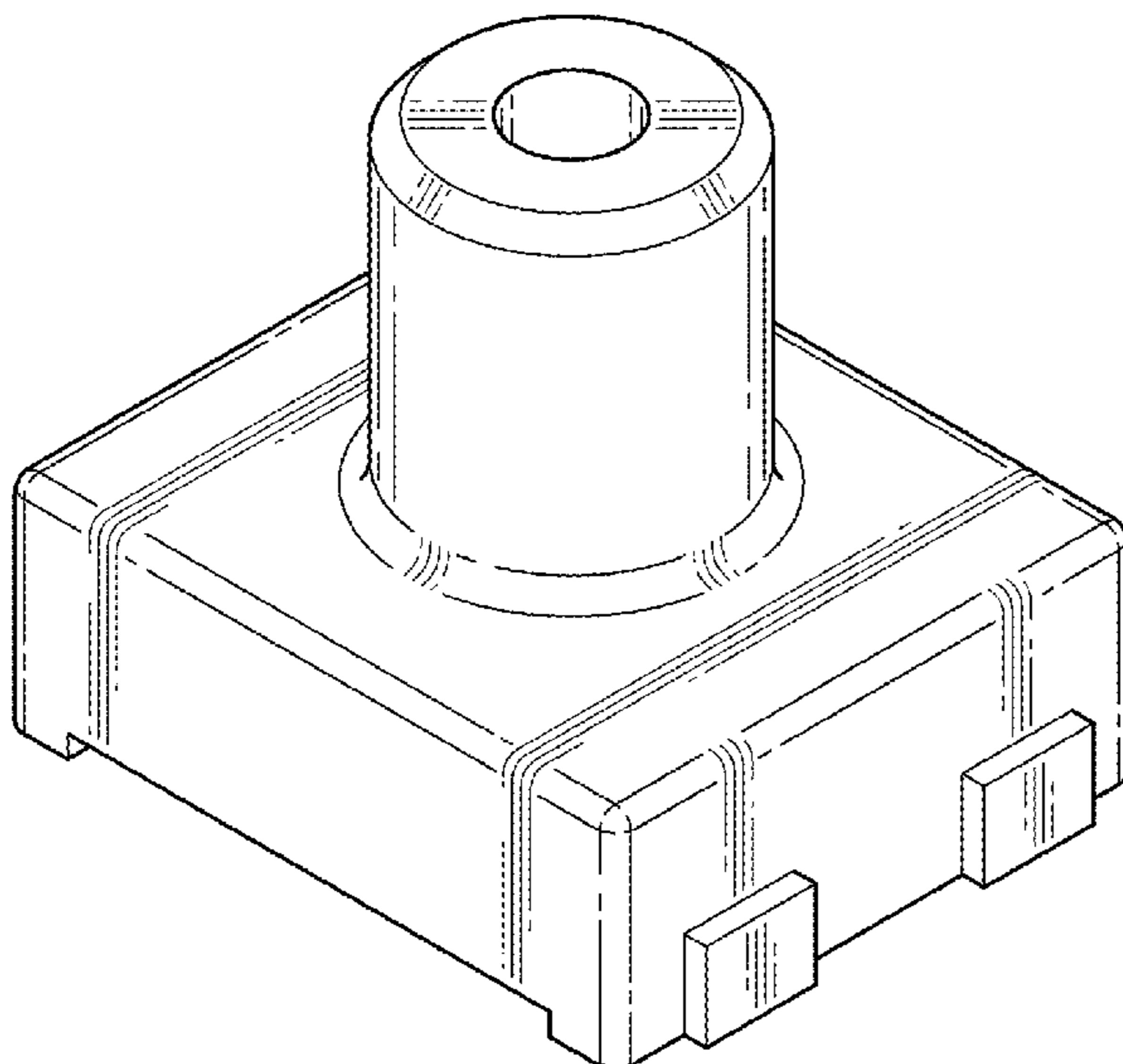
FIG. 3 is a front view of the pressure sensor of FIG. 1, wherein the rear view is identical;

FIG. 4 is a right side view of the pressure sensor of FIG. 1, wherein the left side view is identical;

FIG. 5 is a top view of the pressure sensor of FIG. 1; and, FIG. 6 is a bottom view of the pressure sensor of FIG. 1.

The shade lines on the surfaces of the pressure sensor show contour and not surface ornamentation.

**1 Claim, 3 Drawing Sheets**



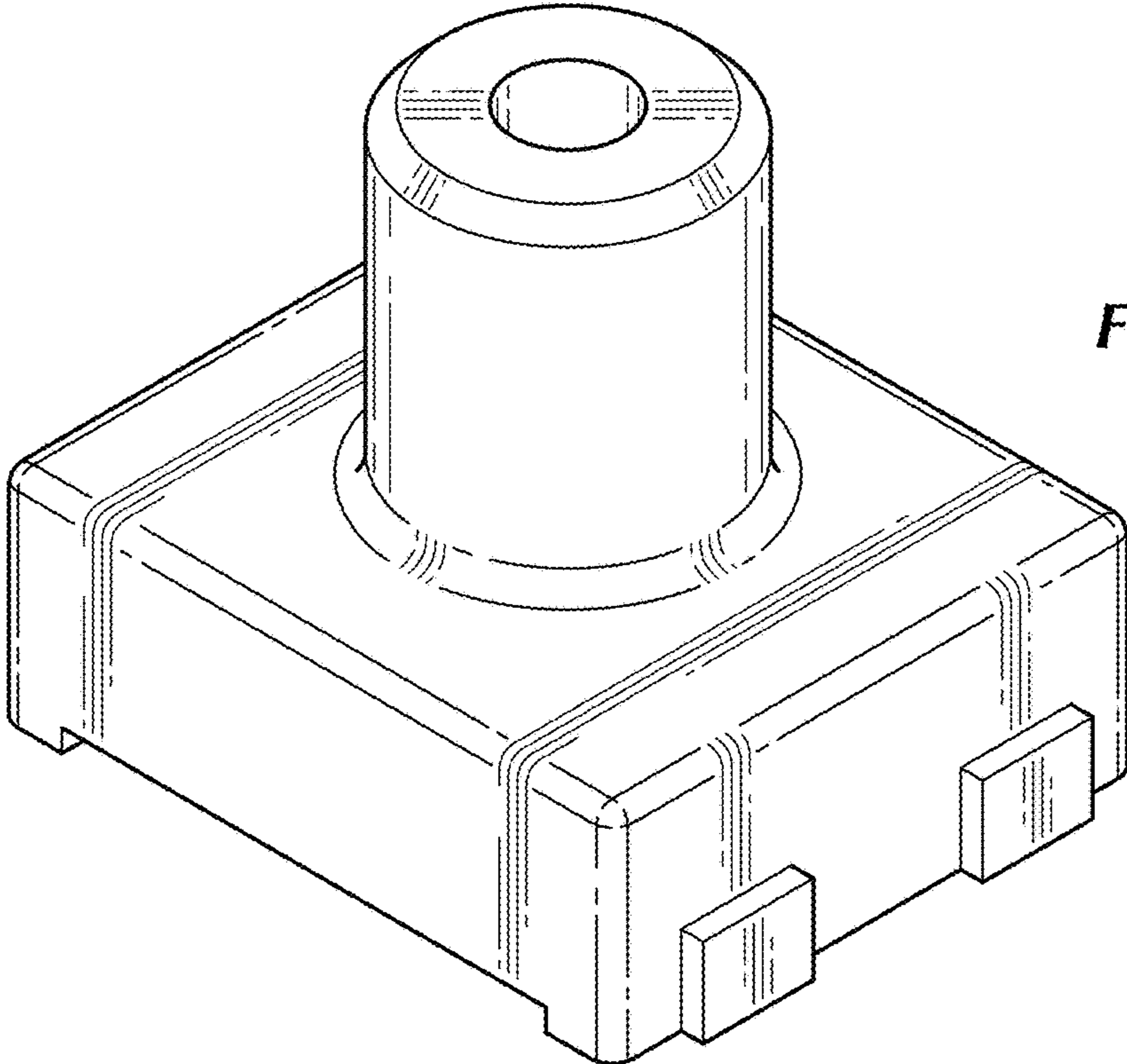


FIG. 1

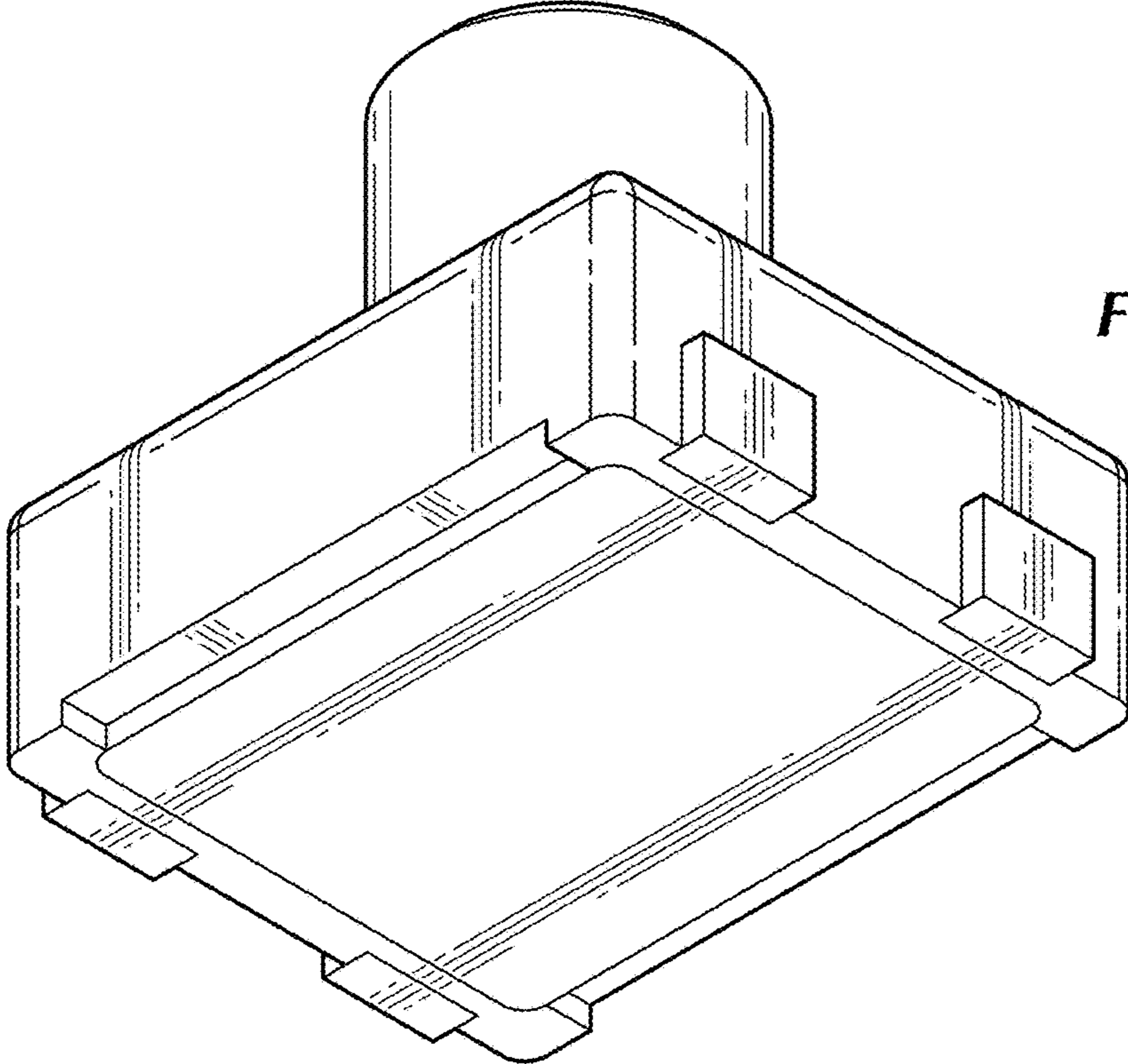
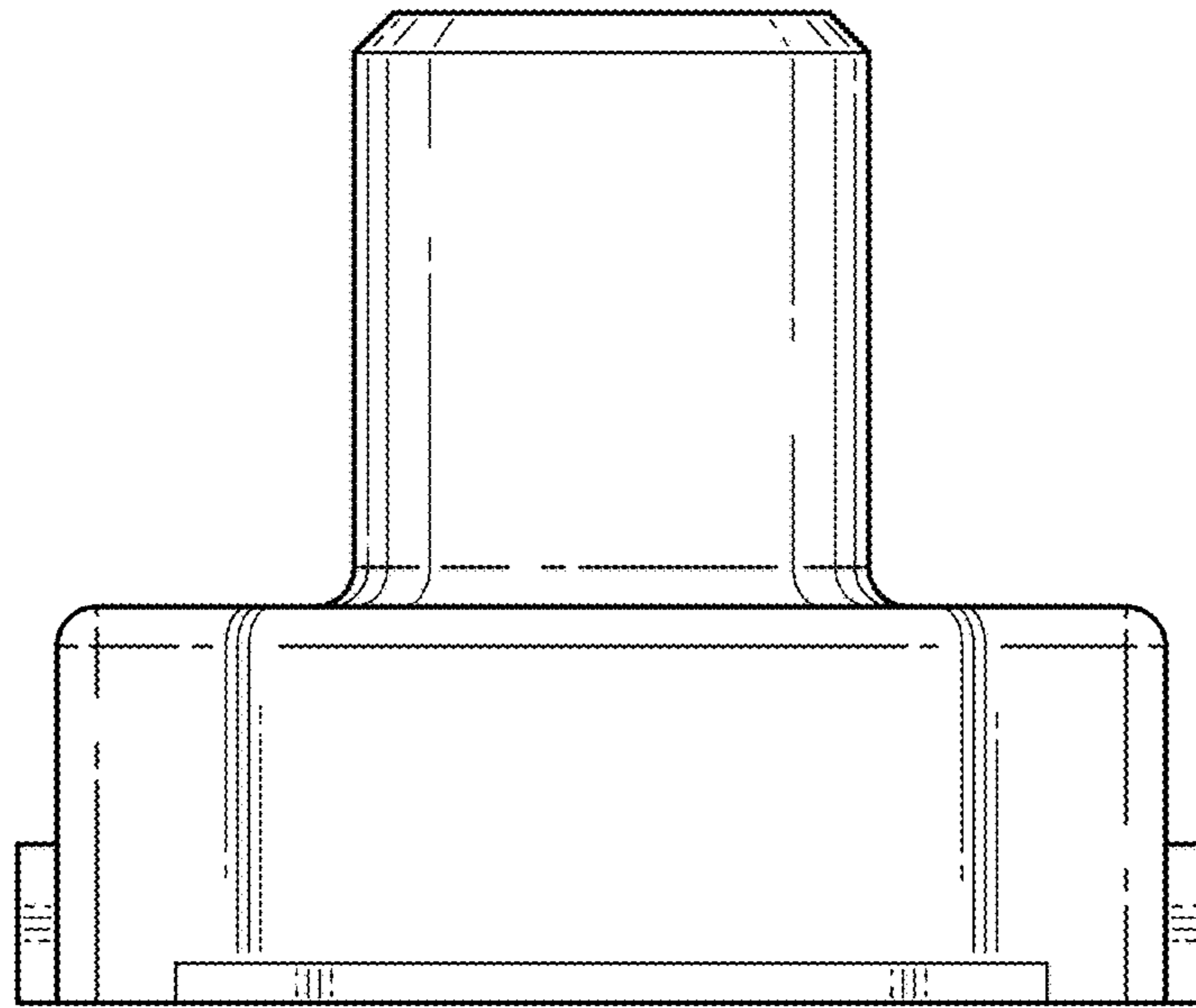
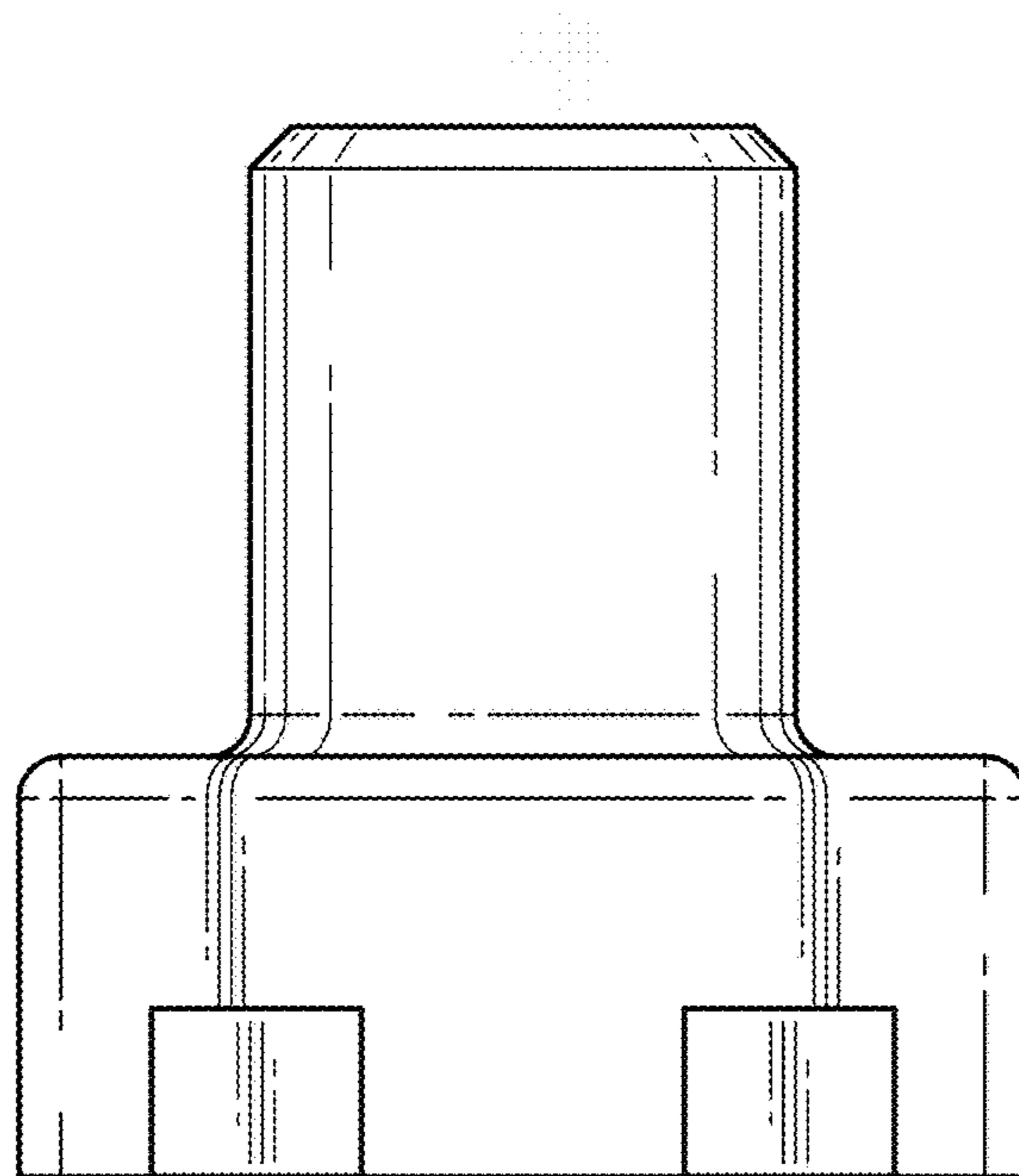


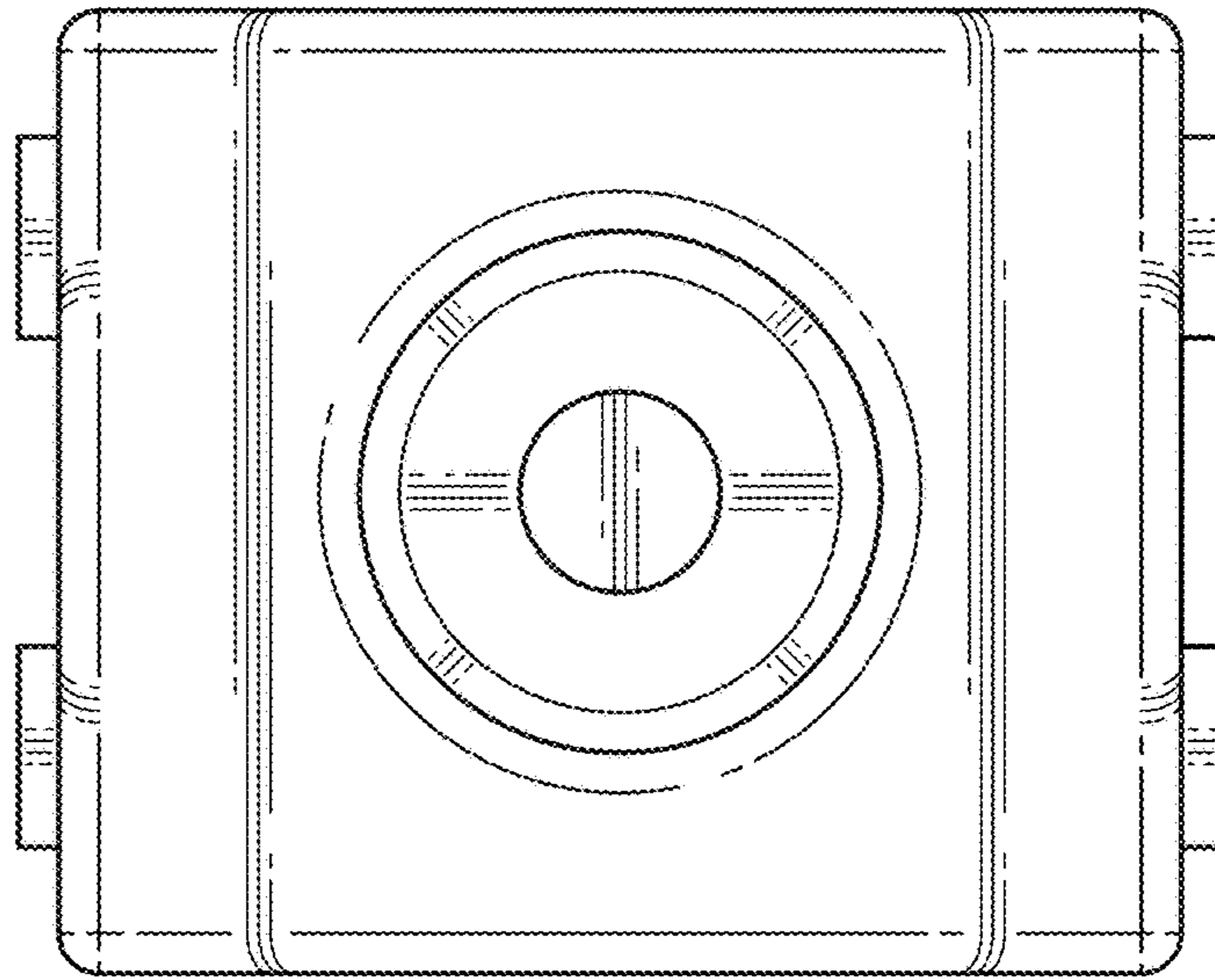
FIG. 2



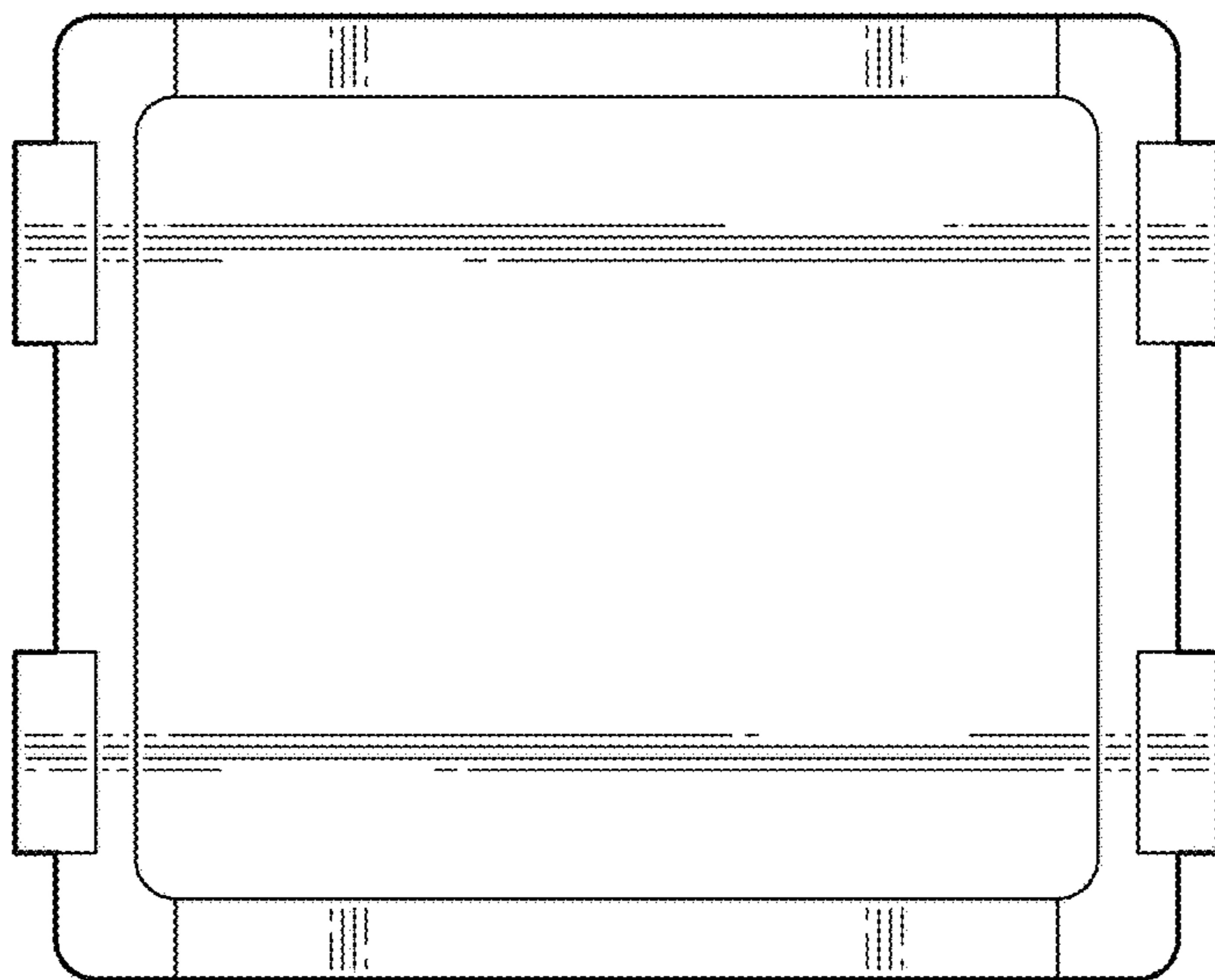
**FIG. 3**



**FIG. 4**



**FIG. 5**



**FIG. 6**