

US00D867911S

(12) **United States Design Patent** (10) **Patent No.:** **US D867,911 S**
Alabdin (45) **Date of Patent:** **** Nov. 26, 2019**

(54) **COMBINATION GAS LEAK SENSOR AND COMMUNICATION DEVICE**

FOREIGN PATENT DOCUMENTS

(71) Applicant: **Adel J M S Alabdin**, Safat (KW)

WO 2007062488 A1 6/2007

(72) Inventor: **Adel J M S Alabdin**, Safat (KW)

OTHER PUBLICATIONS

(**) Term: **15 Years**

Motorola SB1 Hand Held Computer; printed on Sep. 19, 2018 from https://www.barcodegiant.com/motorola/part-sb1b-se11a0ww.htm?aw&adtype=pla&gclid=EAlalQobChMI2PHo17aJ1wVz7jACh3TywWKEAQYBSABEgLA_r_D_BwE.

(21) Appl. No.: **29/666,205**

Vocera Badge; printed on Sep. 19, 2018 from <https://www.vocera.com/product/vocera-badge>.

(22) Filed: **Oct. 10, 2018**

(51) **LOC (12) Cl.** **10-04**

(52) **U.S. Cl.**
USPC **D10/78**; D10/81; D10/96; D10/104.1; D10/106.1

* cited by examiner

(58) **Field of Classification Search**

Primary Examiner — Antoine Duval Davis

USPC D10/78, 81, 96, 104.1, 106.1
CPC G01M 3/38; G01N 21/3504; G01N 27/16; G01N 27/18; G01N 27/185; G01N 33/0006; G01N 33/0009-33/0075; G01N 1/24; G01N 1/2205; G01N 1/2273; G01N 2001/2276; G01D 11/24; G08B 17/10-17/117

(74) *Attorney, Agent, or Firm* — Richard C. Litman; Nath, Goldberg & Meyer

See application file for complete search history.

(57) **CLAIM**

The ornamental design for a combination gas leak sensor and communication device, as shown and described.

(56) **References Cited**

DESCRIPTION

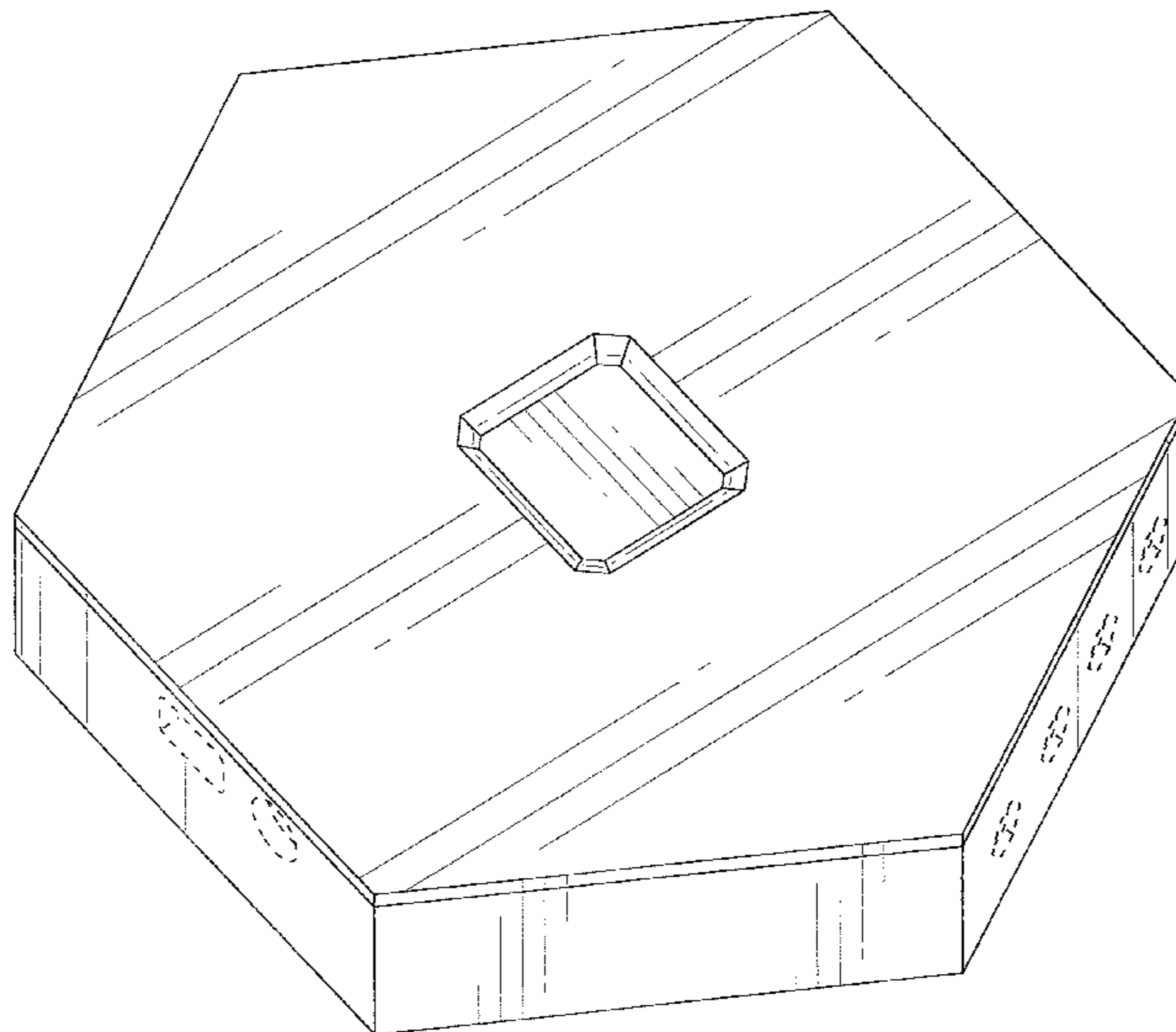
U.S. PATENT DOCUMENTS

D312,423 S *	11/1990	Orlinsky	D10/106.1
D339,996 S *	10/1993	Rattley	D10/104.1
D340,199 S *	10/1993	Taylor	D10/106.1
5,396,221 A *	3/1995	Bridges	A47G 33/0872 340/628
5,599,824 A *	2/1997	Grunenberg	C07D 211/90 514/356
D703,664 S	4/2014	Spiro et al.		
D707,198 S	6/2014	Bouزيد et al.		
D808,389 S *	1/2018	Judge	D14/358
D833,897 S *	11/2018	Simpson	D10/70
D846,474 S *	4/2019	Lucas	D12/209
2016/0241688 A1	8/2016	Vossoughi et al.		
2017/0006414 A1	1/2017	Tomassini		

FIG. 1 is a perspective view of a combination gas leak sensor and communication device showing my new design;
FIG. 2 is a front view thereof;
FIG. 3 is a rear view thereof;
FIG. 4 is a right side view thereof;
FIG. 5 is a left side view thereof;
FIG. 6 is a top view thereof; and,
FIG. 7 is a bottom view thereof.

The broken line showing of the ports in FIGS. 1 and 2, the broken line showing of the audio and visual indicators in FIG. 3, the broken line showing of the buttons in FIG. 4, and the broken line showing of the buttons in FIG. 5 are for illustrative purposes only and form no part of the claimed design.

1 Claim, 3 Drawing Sheets



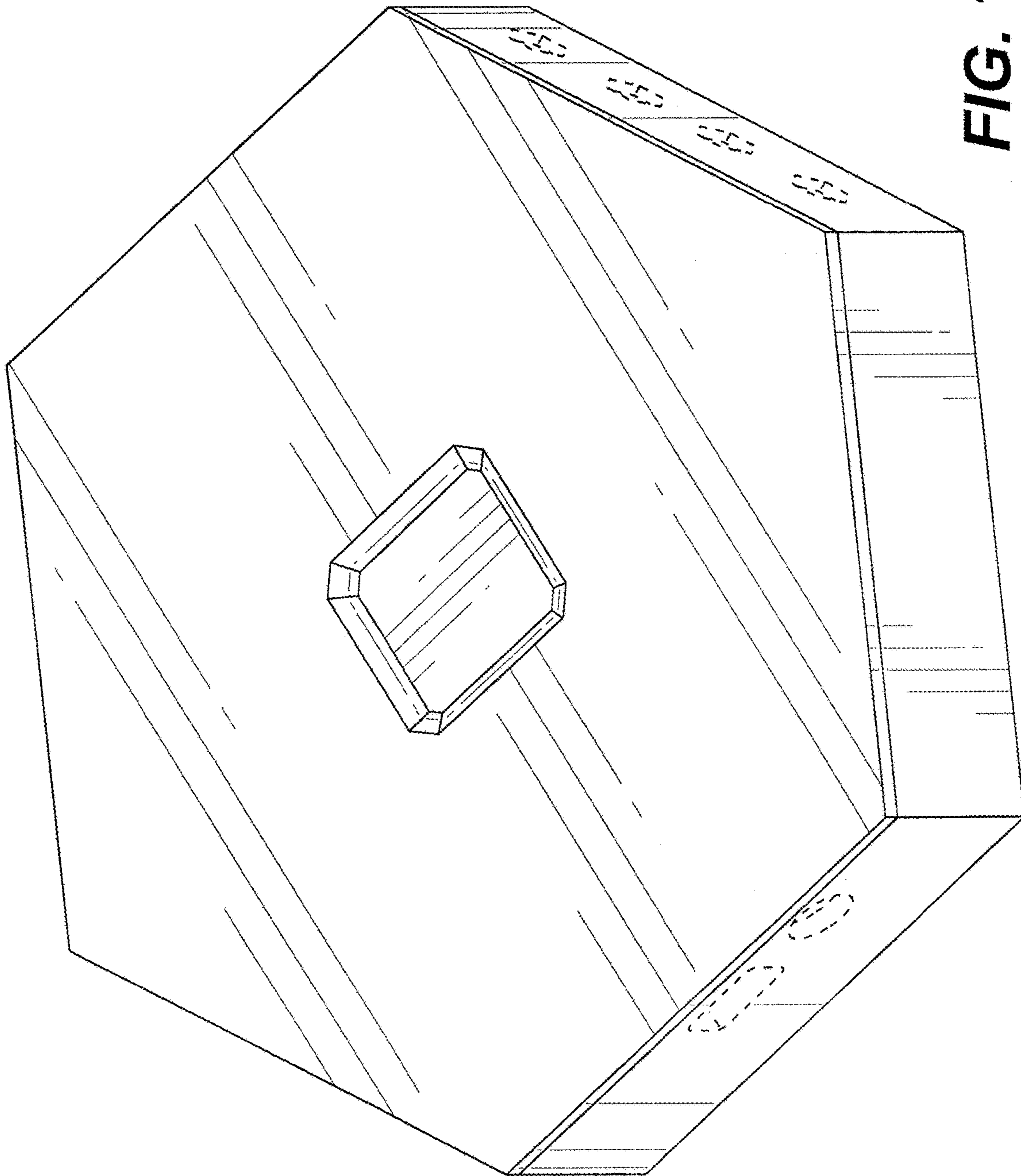


FIG. 1

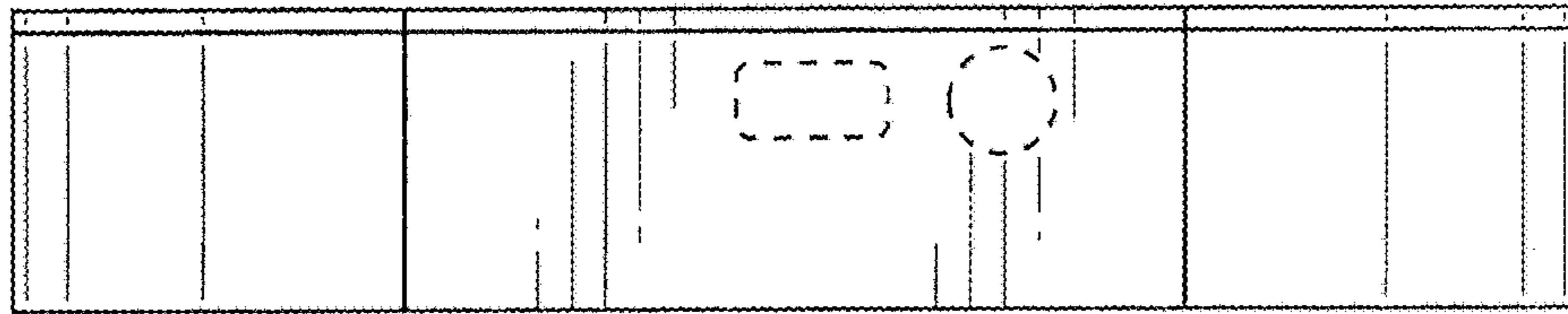


FIG. 2

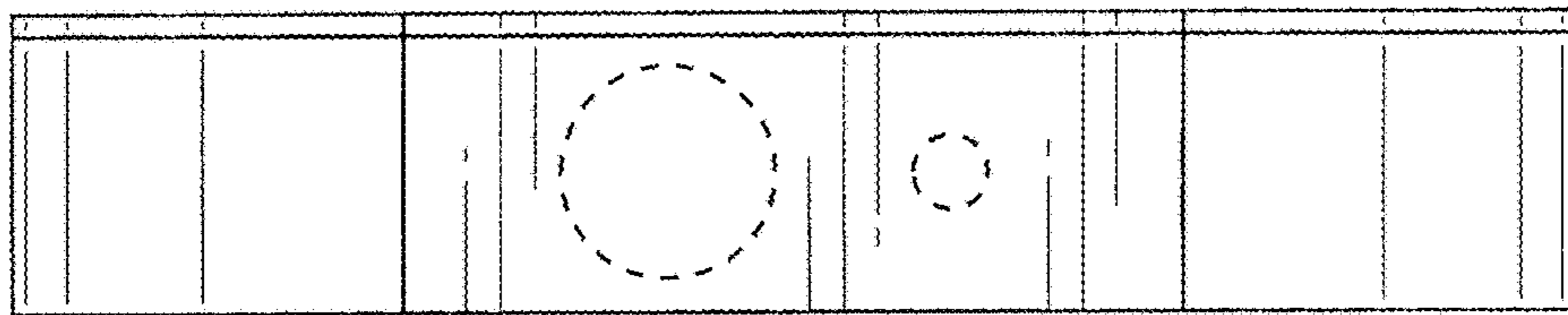


FIG. 3

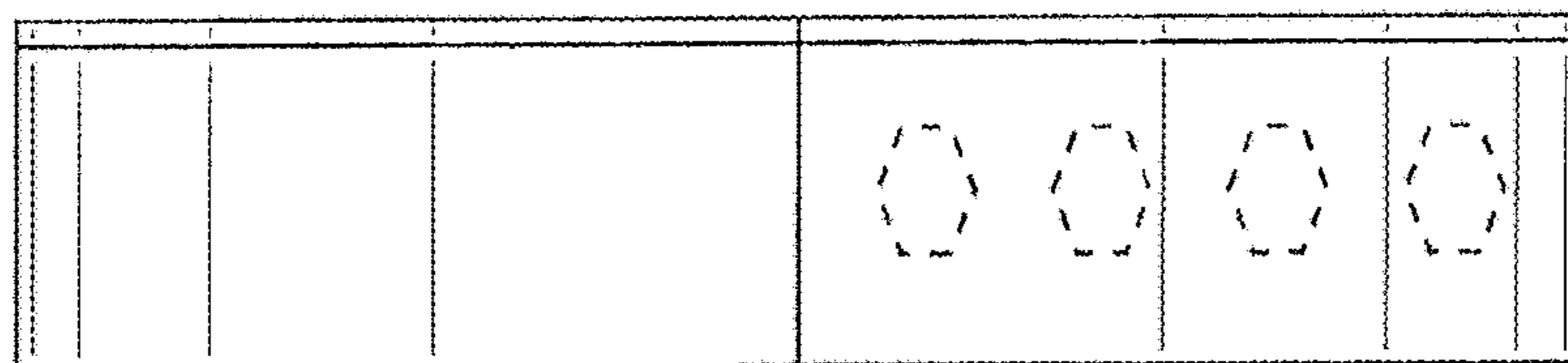


FIG. 4

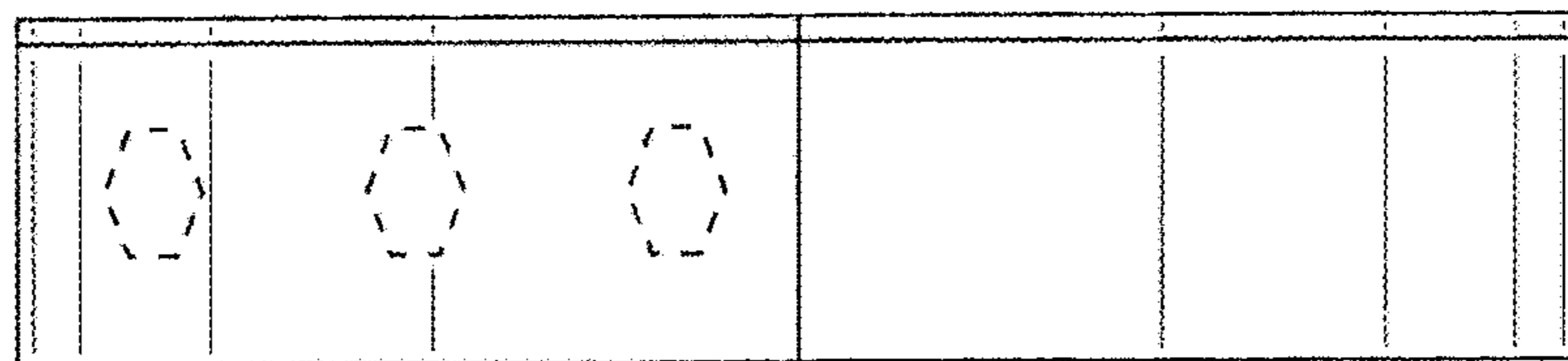


FIG. 5

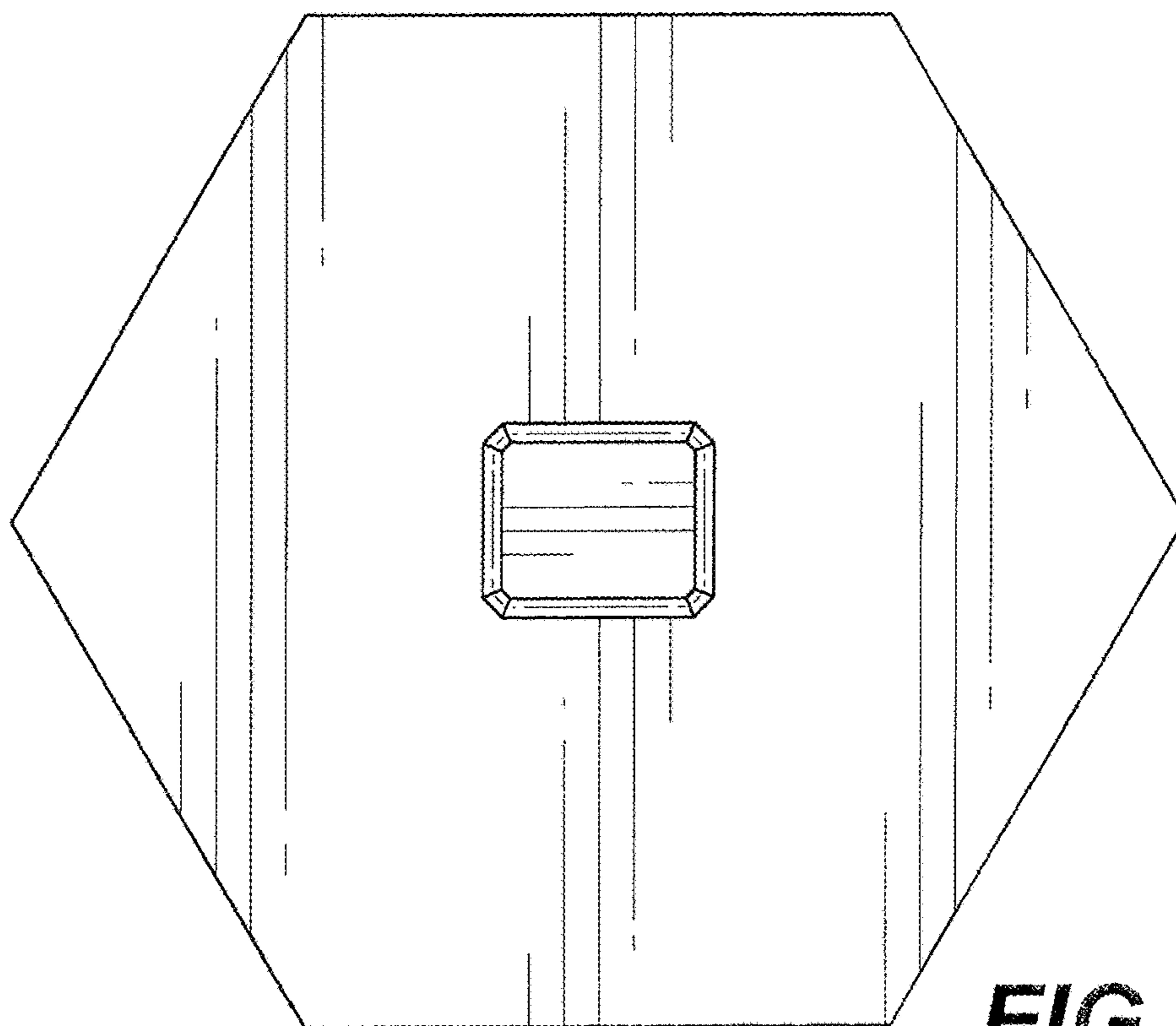


FIG. 6

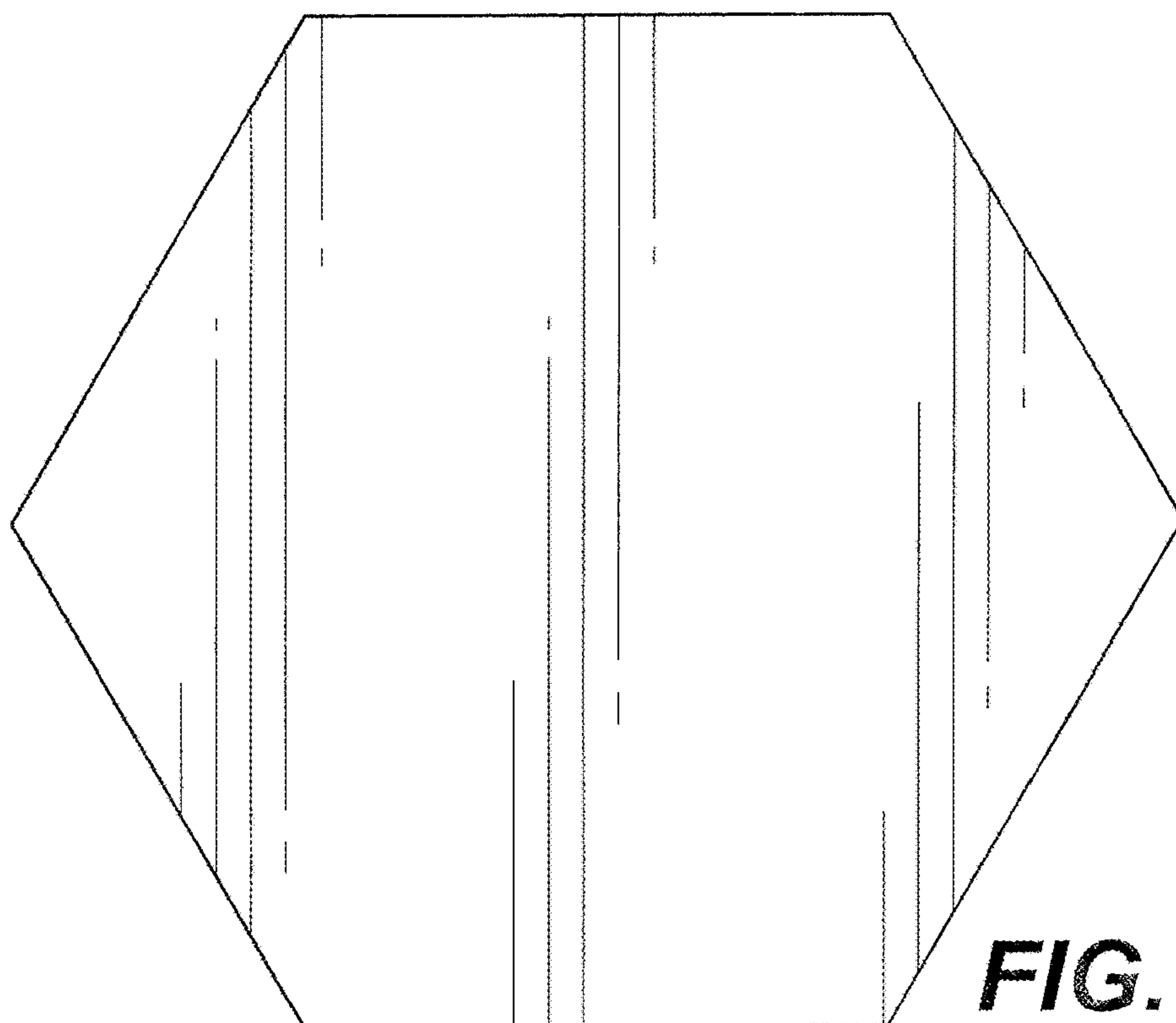


FIG. 7