

US00D867909S

(12) **United States Design Patent** (10) **Patent No.:** **US D867,909 S**
Kachar (45) **Date of Patent:** **** Nov. 26, 2019**

(54) **TRACKING DEVICE**

(71) Applicant: **MILWAUKEE ELECTRIC TOOL CORPORATION**, Brookfield, WI (US)

(72) Inventor: **Amanda M. Kachar**, West Allis, WI (US)

(73) Assignee: **MILWAUKEE ELECTRIC TOOL CORPORATION**, Brookfield, WI (US)

(**) Term: **15 Years**

(21) Appl. No.: **29/660,945**

(22) Filed: **Aug. 23, 2018**

(51) **LOC (12) Cl.** **10-04**

(52) **U.S. Cl.**
USPC **D10/70**

(58) **Field of Classification Search**
USPC D10/70

CPC G08B 13/126; G08B 13/128; G08B 13/14;
G08B 13/1427; G08B 13/1409; G08B
13/1436; G08B 13/1445; G08B 13/1463;
G08B 13/1472; G08B 13/1481; G08B
13/149; G08B 13/2428; G08B 13/2434;

(Continued)

(56) **References Cited**

U.S. PATENT DOCUMENTS

4,688,026 A 8/1987 Scribner et al.
5,272,324 A 12/1993 Blevins

(Continued)

FOREIGN PATENT DOCUMENTS

DE 102009023902 12/2010
WO WO-2014005004 1/2014
WO WO-2016206859 12/2016

OTHER PUBLICATIONS

Estimote, "Beacon Tech Overview—Developer Docs," <<http://developer.estimote.com/>> website accessed Oct. 11, 2016.

(Continued)

Primary Examiner — Antoine Duval Davis

(74) *Attorney, Agent, or Firm* — Michael Best & Friedrich LLP

(57) **CLAIM**

I claim the ornamental design for a tracking device, as shown and described.

DESCRIPTION

FIG. 1 is a front perspective view of a tracking device. FIG. 2 is a front view of the tracking device shown in FIG. 1.

FIG. 3 is a top view of the tracking device shown in FIG. 1. FIG. 4 is a bottom view of the tracking device shown in FIG. 1.

FIG. 5 is a right side view of the tracking device shown in FIG. 1.

FIG. 6 is a left side view of the tracking device shown in FIG. 1.

FIG. 7 is a front perspective view of a tracking device according to another embodiment of the invention.

FIG. 8 is a front view of the tracking device shown in FIG. 7.

FIG. 9 is a rear view of the tracking device shown in FIG. 7.

FIG. 10 is a top view of the tracking device shown in FIG. 7.

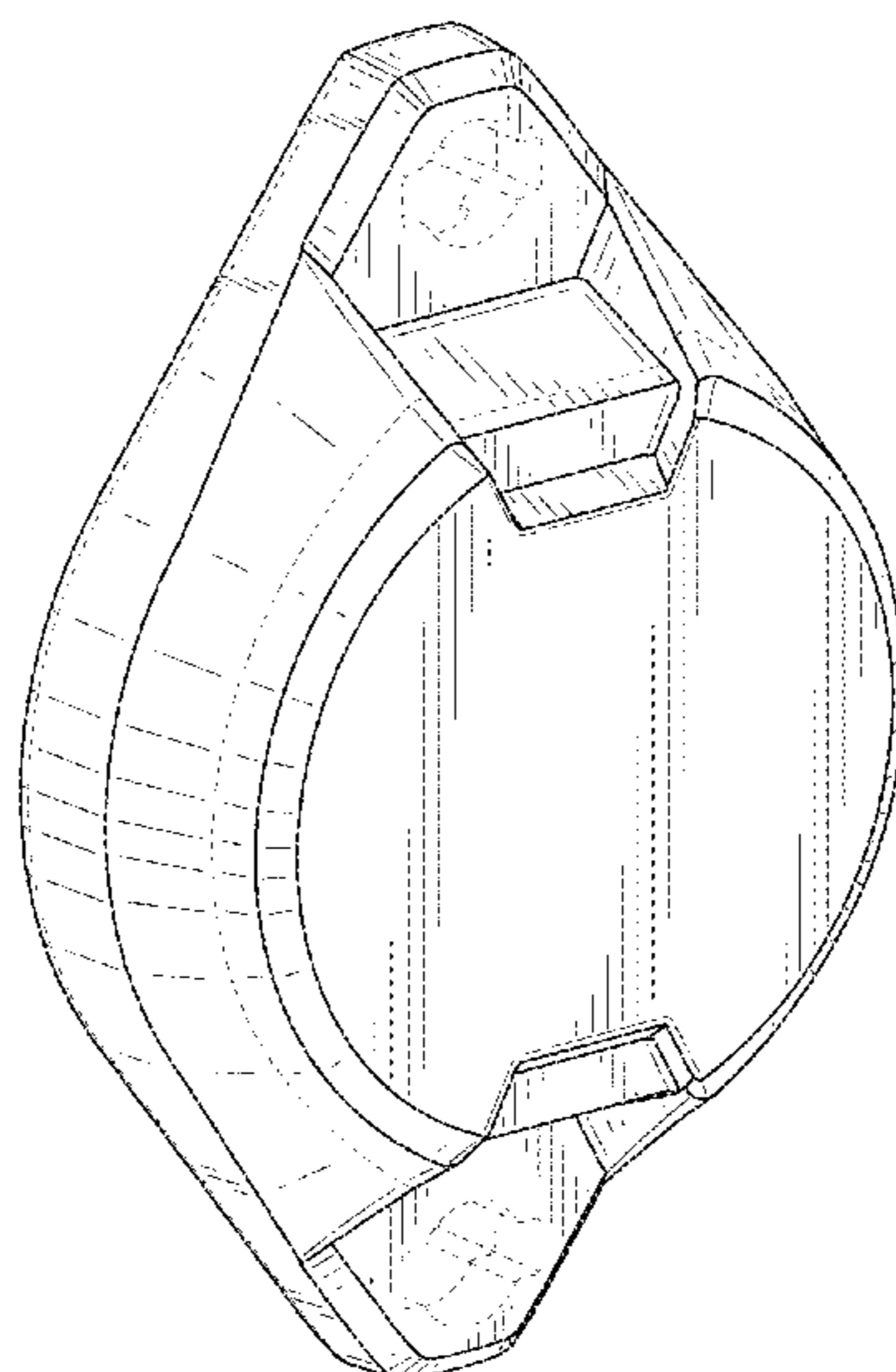
FIG. 11 is a bottom view of the tracking device shown in FIG. 7.

FIG. 12 is a right side view of the tracking device shown in FIG. 7; and,

FIG. 13 is a left side view of the tracking device shown in FIG. 7.

The broken lines having equal segments represent portions of the article that form no part of the claimed design.

1 Claim, 10 Drawing Sheets



(58) **Field of Classification Search**

CPC G08B 13/2437; G08B 21/24; G09F 3/18;
 G09F 3/185; G09F 3/20; G09F 3/201;
 G09F 3/202; G09F 3/203; G09F 3/204;
 G09F 3/205; G09F 3/206; G09F 3/207;
 G09F 3/208

See application file for complete search history.

(56) **References Cited**

U.S. PATENT DOCUMENTS

5,689,238	A	11/1997	Cannon, Jr. et al.	
5,939,981	A	8/1999	Renney	
5,992,752	A	11/1999	Wilz, Sr. et al.	
6,144,301	A *	11/2000	Frieden	G01V 15/00 283/74
6,152,369	A	11/2000	Wilz, Sr. et al.	
6,259,367	B1	7/2001	Klein	
6,377,296	B1	4/2002	Zlatsin et al.	
6,614,351	B2	9/2003	Mann et al.	
7,019,650	B2	3/2006	Volpi et al.	
7,084,765	B2	8/2006	Clapper	
7,084,769	B2	8/2006	Bauer et al.	
7,277,009	B2	10/2007	Hall et al.	
7,391,326	B2	6/2008	Puzio et al.	
7,750,811	B2	7/2010	Puzio et al.	
D638,317	S	5/2011	Nguyen et al.	
8,004,397	B2	8/2011	Forrest et al.	
D656,424	S	3/2012	Bentley	
D693,709	S	11/2013	Lee et al.	
8,666,936	B2	3/2014	Wallace	
8,686,853	B2	4/2014	Pfuhl	
D723,957	S	3/2015	Evans et al.	
9,111,234	B2	8/2015	Wallace et al.	
D786,724	S	5/2017	Seagle, Jr.	
9,740,898	B1 *	8/2017	Shapiro	G06K 7/10396
D818,854	S	5/2018	Kachar et al.	
D850,304	S *	6/2019	Purba	D10/70
2002/0004753	A1	1/2002	Perkowski	
2002/0014955	A1	2/2002	Klitsgaard	
2003/0034887	A1	2/2003	Crabtree et al.	
2003/0050871	A1	3/2003	Broughton	
2005/0200478	A1	9/2005	Koch	
2007/0120698	A1	5/2007	Turk et al.	
2008/0086391	A1	4/2008	Maynard et al.	
2011/0285506	A1	11/2011	Hillis	
2013/0109375	A1	5/2013	Zeiler et al.	
2014/0132411	A1	5/2014	Buchheim et al.	
2014/0149416	A1	5/2014	Wallace	
2014/0213301	A1	7/2014	Evans et al.	
2014/0240125	A1	8/2014	Burch et al.	
2015/0084745	A1	3/2015	Hertz et al.	

2015/0162646	A1	6/2015	Kawase et al.
2016/0249168	A1	8/2016	Evans et al.
2016/0373894	A1	12/2016	Evans et al.
2018/0124558	A1	5/2018	Stampfl et al.
2018/0357523	A1	12/2018	Freienstein et al.

OTHER PUBLICATIONS

Bosch, "Track My Tools" <<https://www.bosch-professional.com/service/trackmytools/de/de/>> website accessed Sep. 9, 2016.

Tile, "Tile's Bluetooth Tracker" <<https://www.thetileapp.com/>> website accessed Sep. 9, 2016.

TrackR, "Track your phone, wallet, keys & anything else with TrackR!" <<https://www.thetrackr.com/>> website accessed Sep. 9, 2016.

XY, "The Findables Company" <<http://www.xyfindit.com/>> website accessed Sep. 9, 2016.

Lasso Tag, "Tag it! Secure it! Keep it! Tie it to ya!" <<http://lassotag.com/>> website accessed Sep. 9, 2016.

Social Retail, "iBeacons" <<http://www.digitalsocialretail.com/beacons/>> website accessed Sep. 9, 2016.

Onyx Beacon, "Enterprise Beacon" <<http://www.onyxbeacon.com/beacon-hardware/>> website accessed Sep. 9, 2016.

Onyx Beacon, "Beacon One" <<http://www.onyxbeacon.com/beacon-hardware/>> website accessed Sep. 9, 2016.

Estimote, "Estimote Beacons" <<http://estimote.com/>> website accessed Sep. 9, 2016.

Estimote, "Estimote Stickers" <<http://estimote.com/>> website accessed Sep. 9, 2016.

Radbeacon Dot, "BLE AltBeacon and iBeacon Proximity Beacons, Developer Kit, and Accessories" <<http://store.radiusnetworks.com/collections/ibeacon/products/radbeacon-dot>> website accessed Sep. 9, 2016.

Sensor Bug, "SensorBug Low Profile Universal Wireless Sensor" <<http://www.blehome.com/sensorbug-lp.html>> website accessed Sep. 9, 2016.

Amazon, "iBeacon Bluetooth Low Energy 4.0 Device by lotton" <http://www.amazon.com/gp/product/B01AHO8EIS?psc=1&redirect=true&ref_oh_aui_detailpage_o01_s00> website accessed Sep. 9, 2016.

Aliexpress, "Sanwo BLE 4.0 Proximity iBeacon Bluetooth Low Energy Device" <https://www.aliexpress.com/store/product/2010-mah-BLE-4-0-Proximity-iBeacon-Bluetooth-Low-Energy-Device-Ebeoo-Beacon-BLE-4-0/1960711_32593107467.html> website accessed Sep. 9, 2016.

Amazon, Diymall Ibeacon Module Bluetooth 4.0 BLE Support Near-field Positioning Sensor Wireless Acquisition <<http://amazon.com/B0002UDZU6>> website accessed Sep. 9, 2016.

Pixie, "Locate lost keys, remotes and more with Pixie!" <<https://www.getpixie.com/>> website accessed Sep. 9, 2016.

* cited by examiner

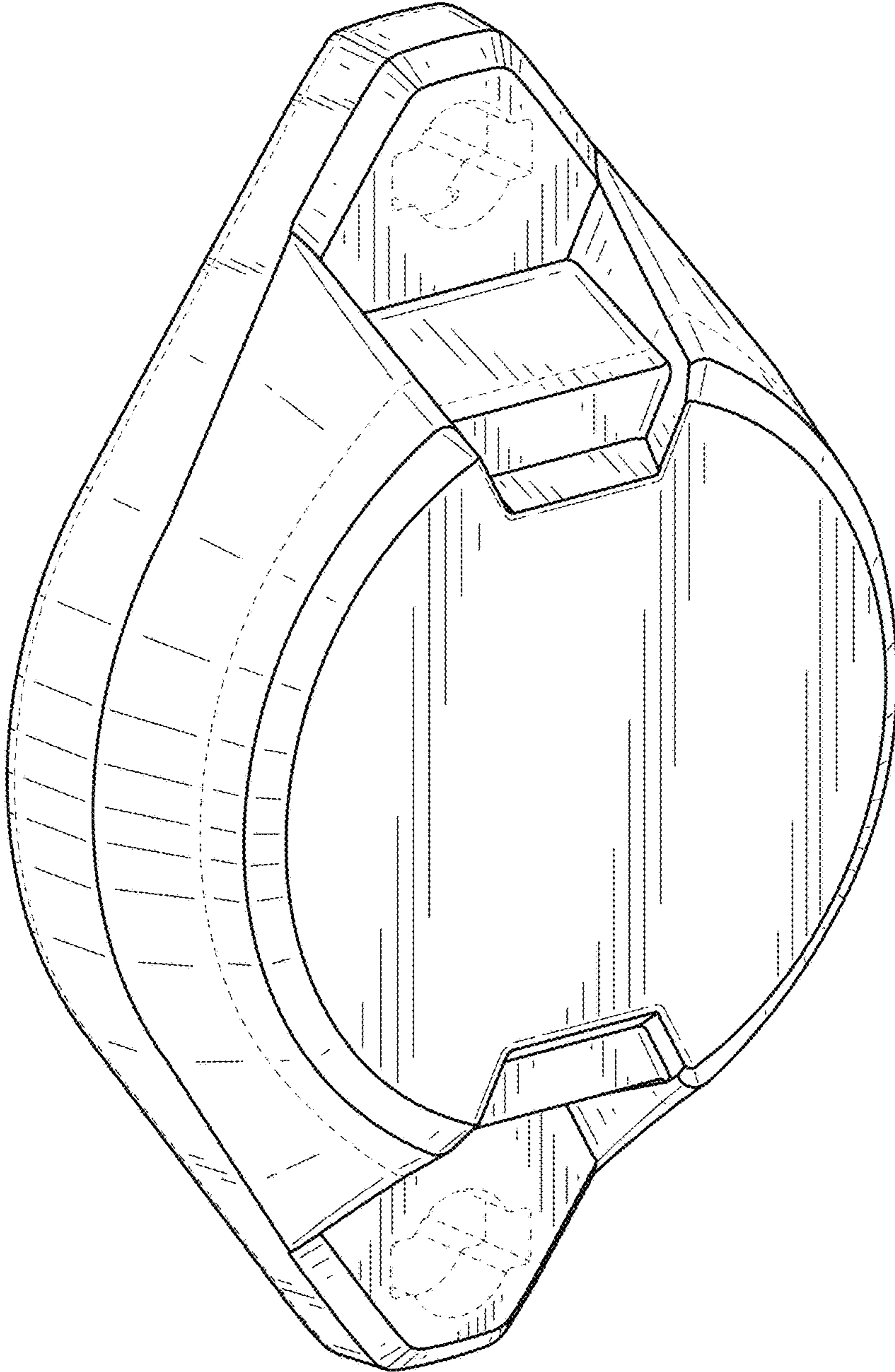


FIG. 1

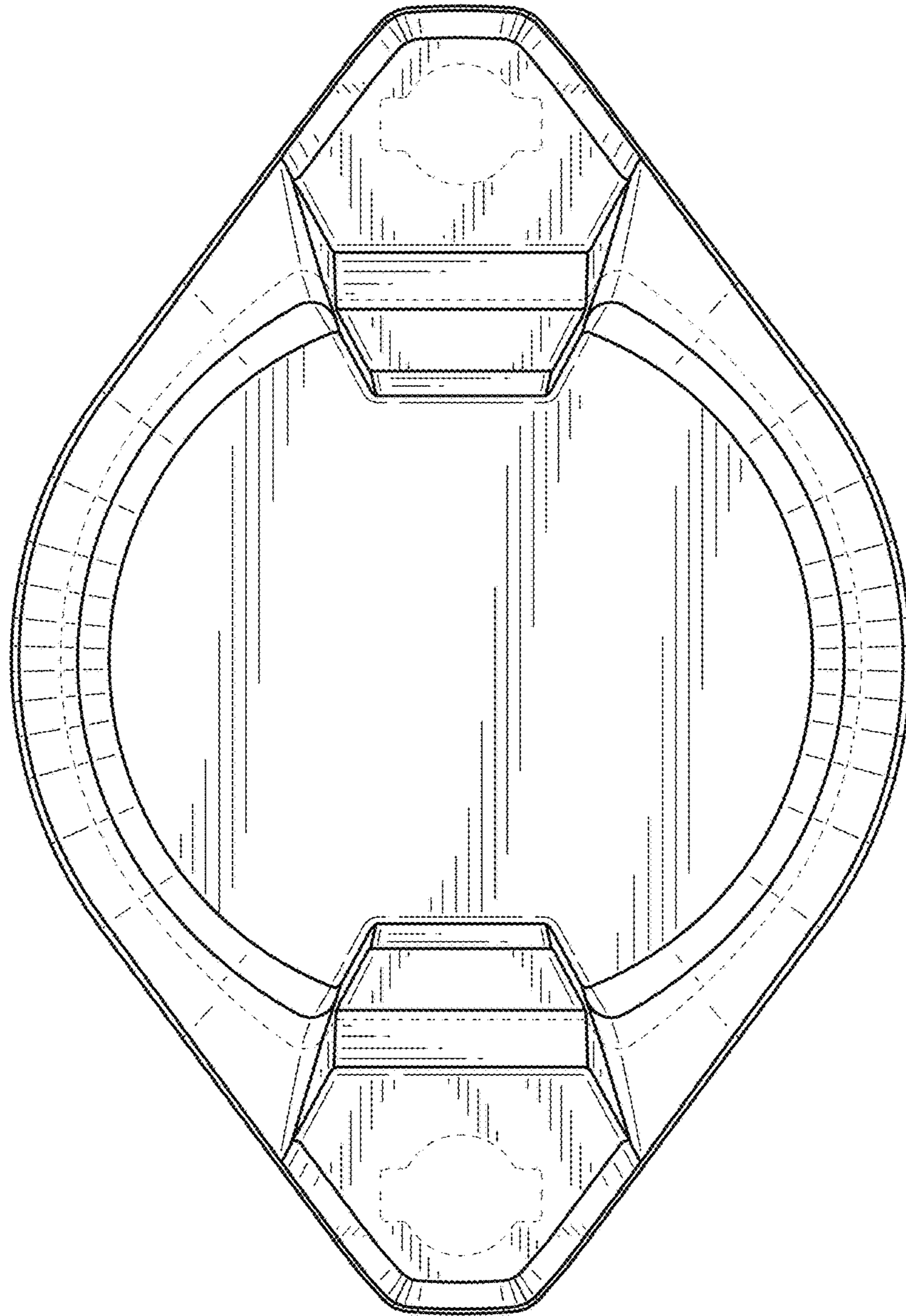


FIG. 2

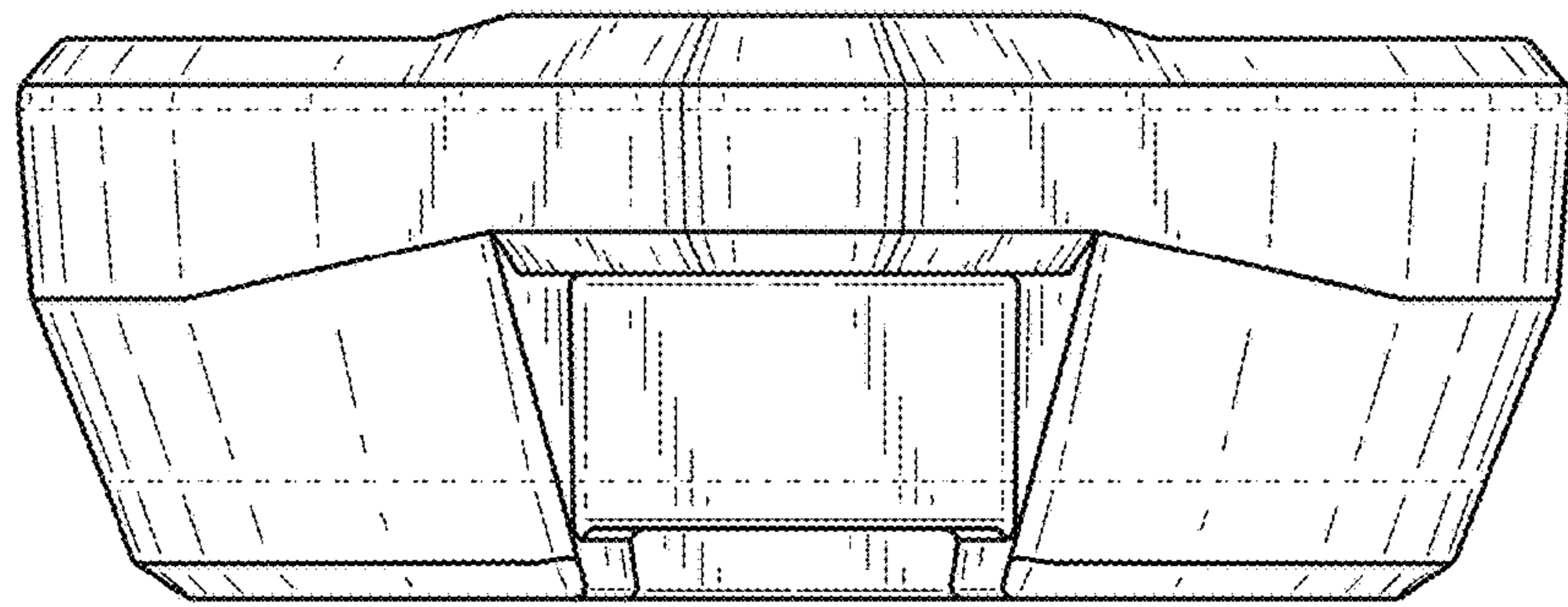


FIG. 3

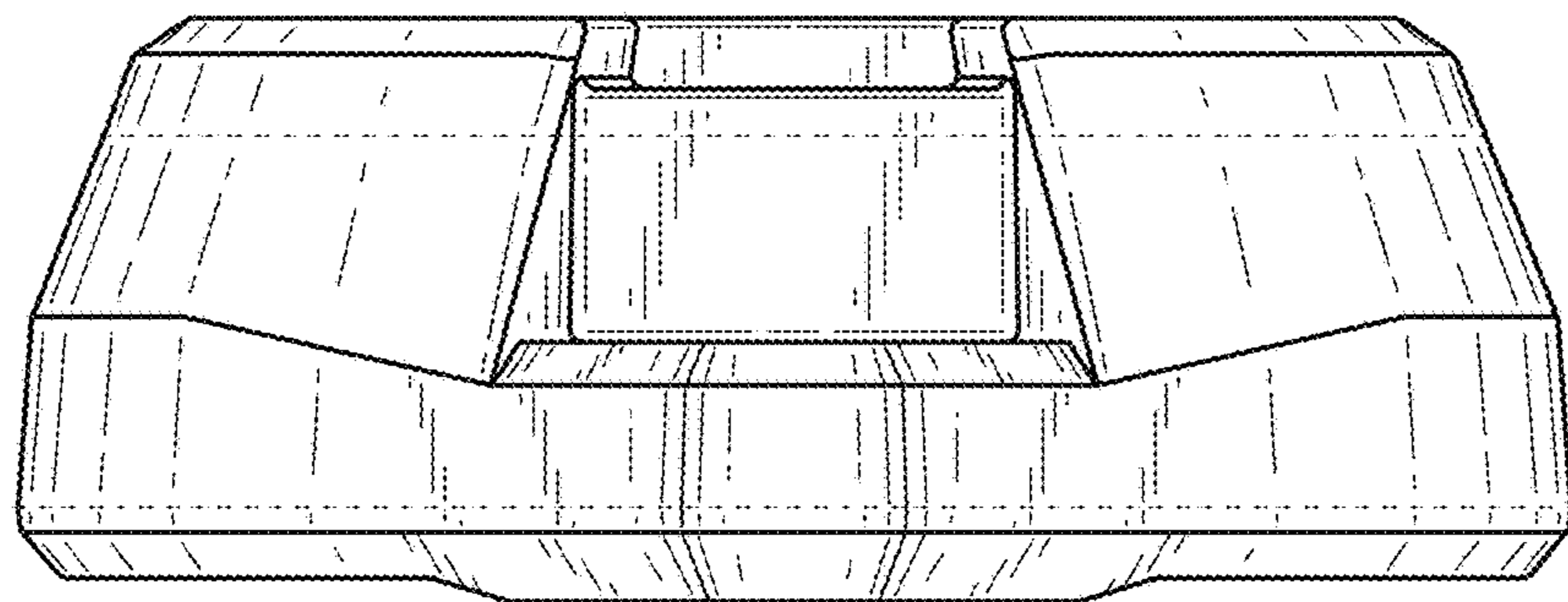


FIG. 4

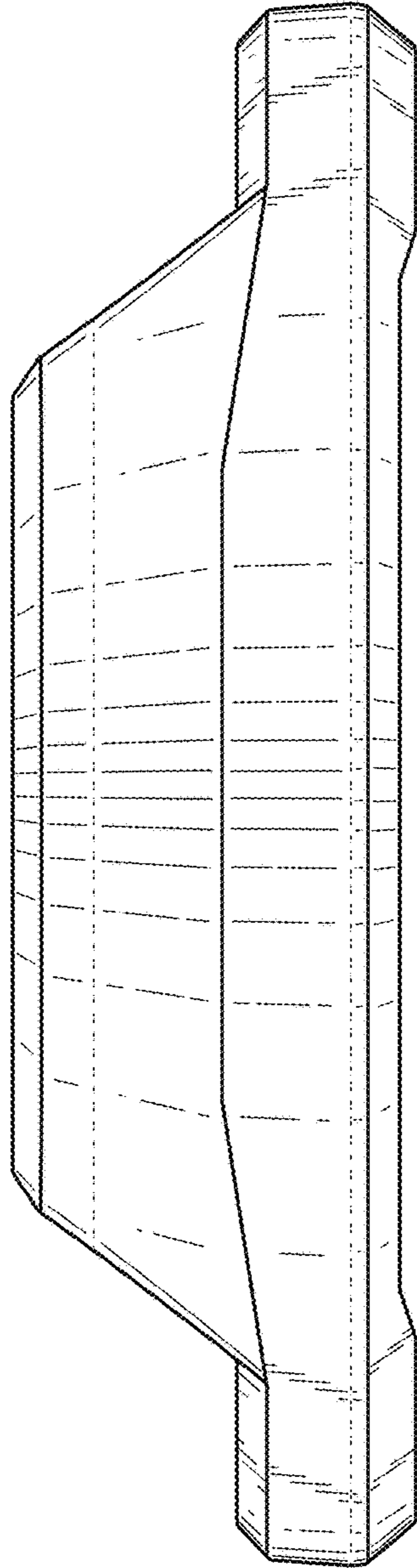


FIG. 5

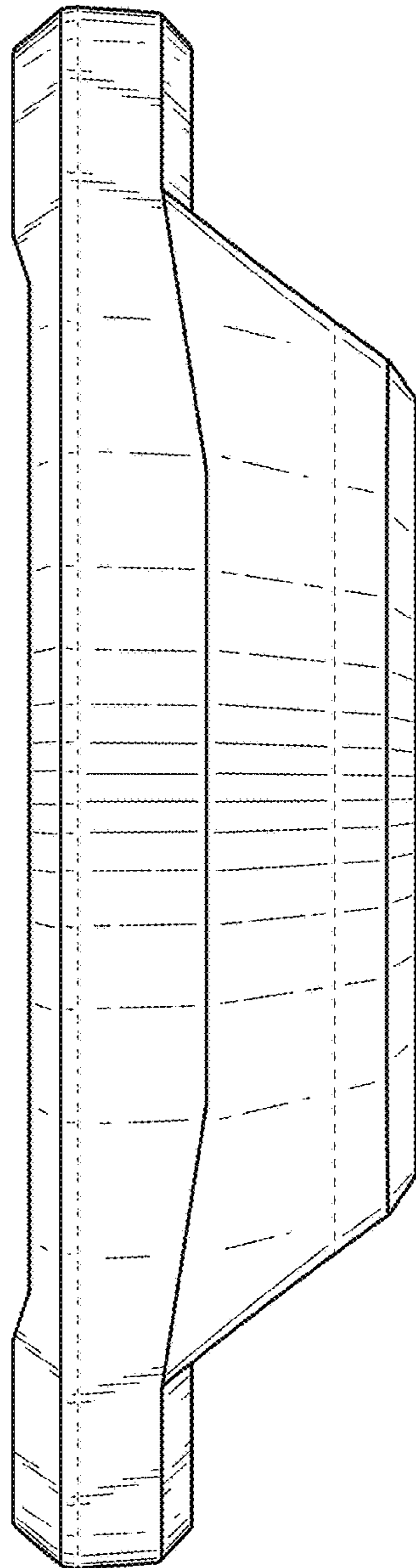


FIG. 6

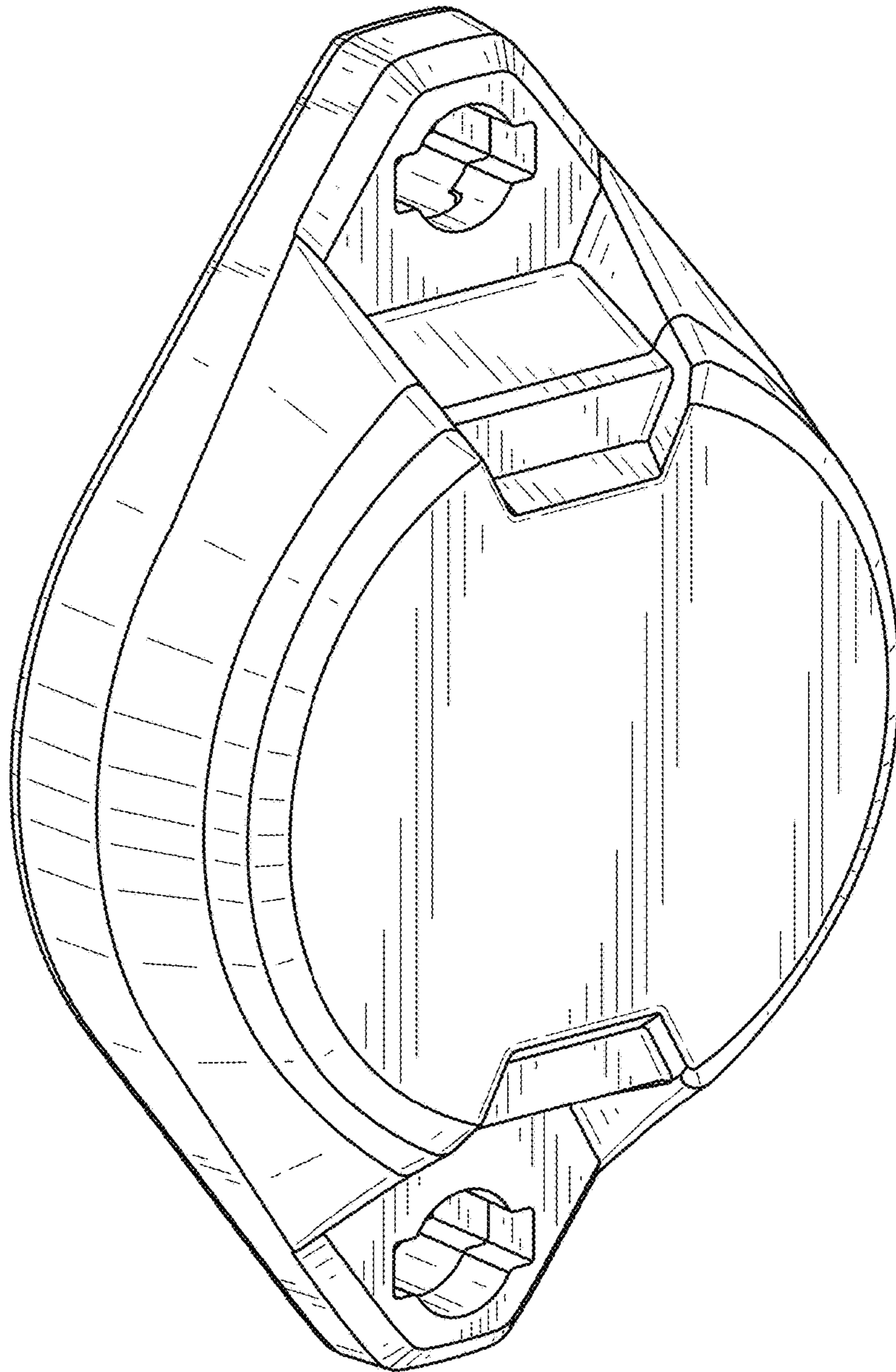


FIG. 7

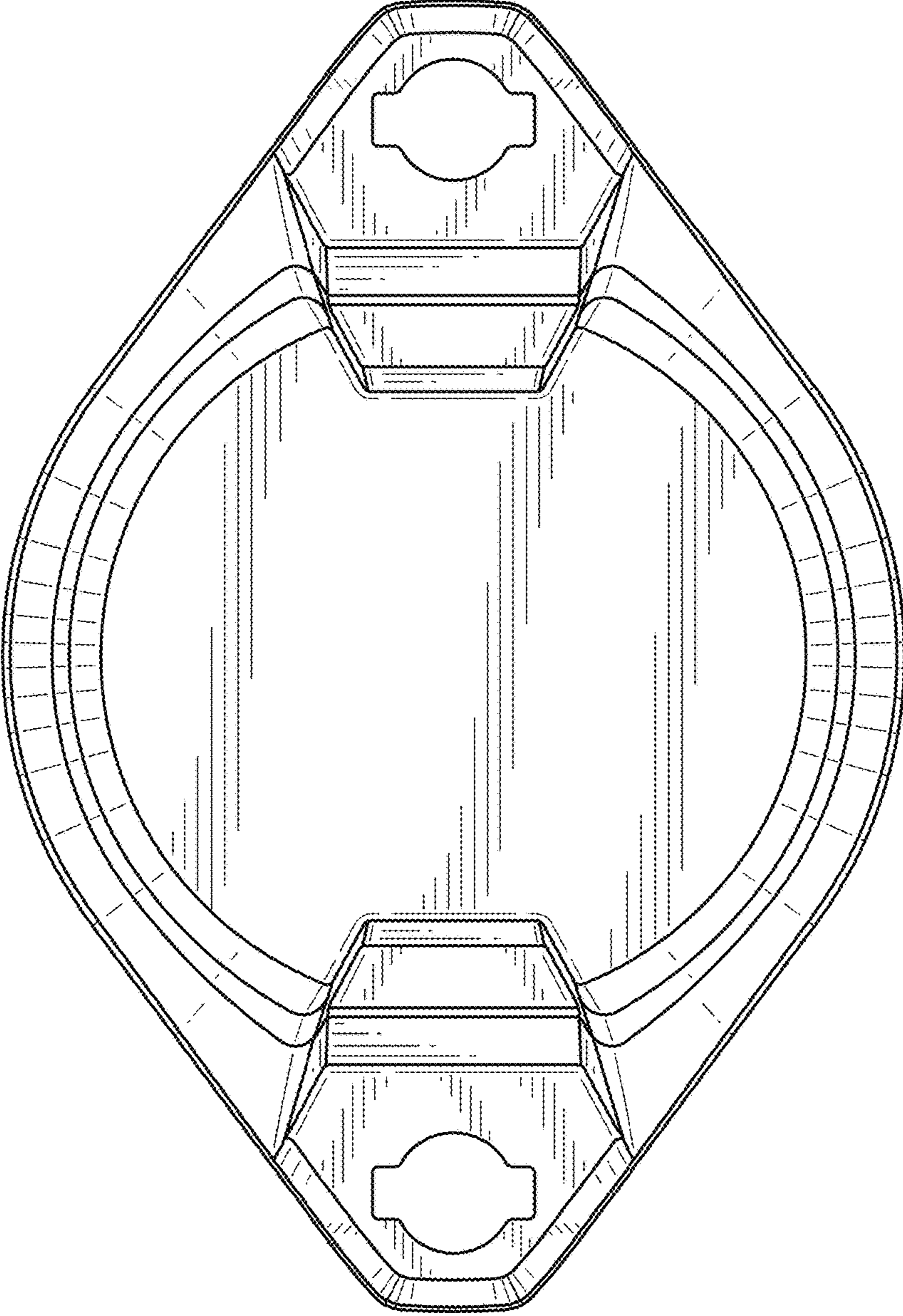


FIG. 8

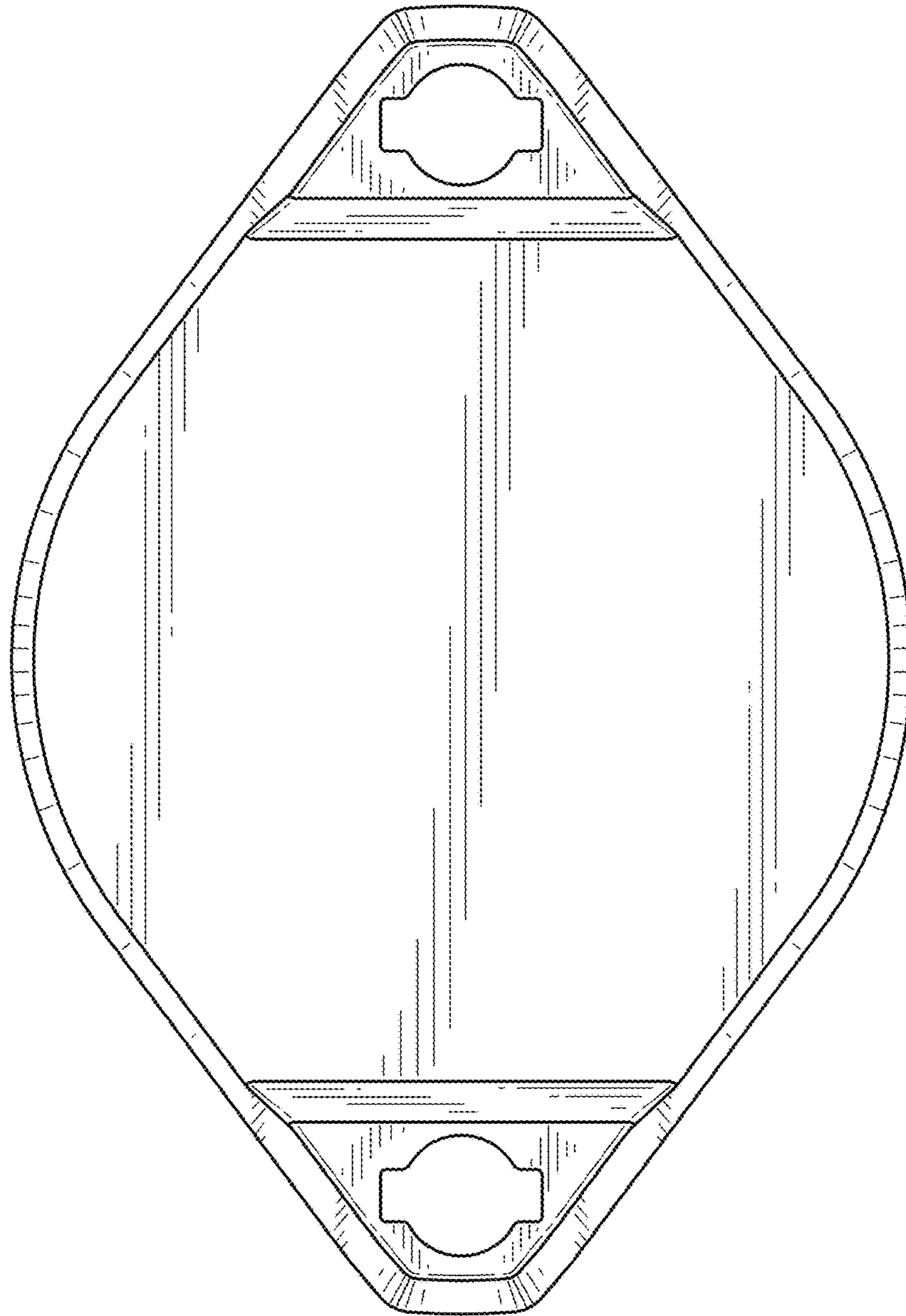


FIG. 9

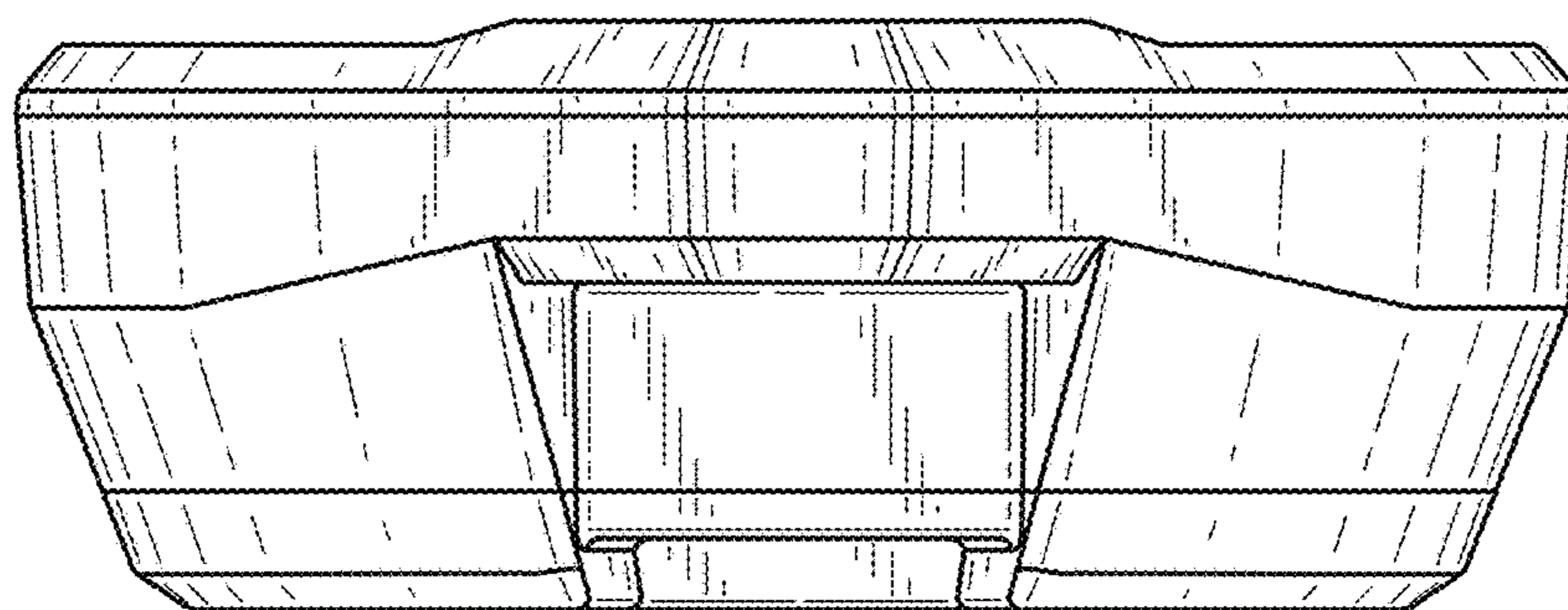


FIG. 10

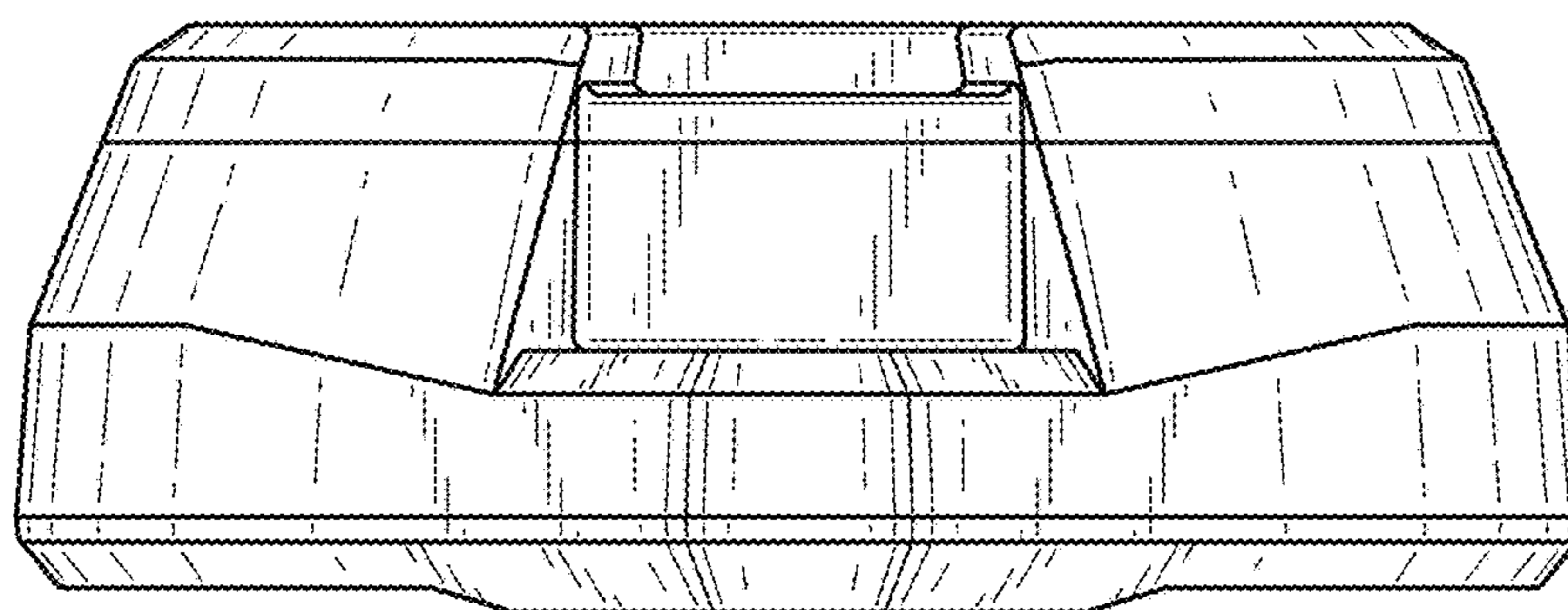


FIG. 11

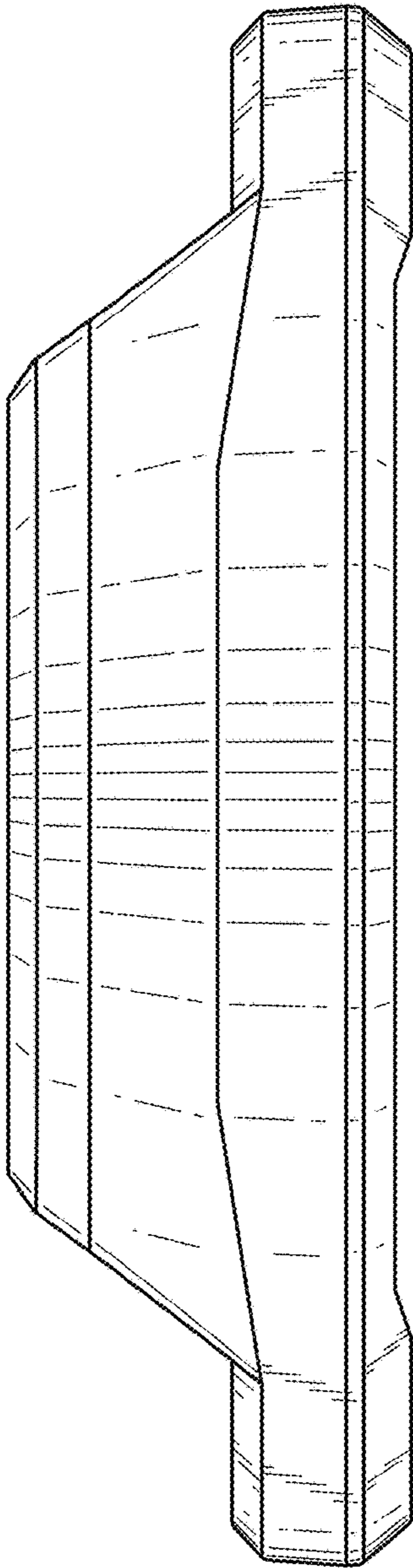


FIG. 12

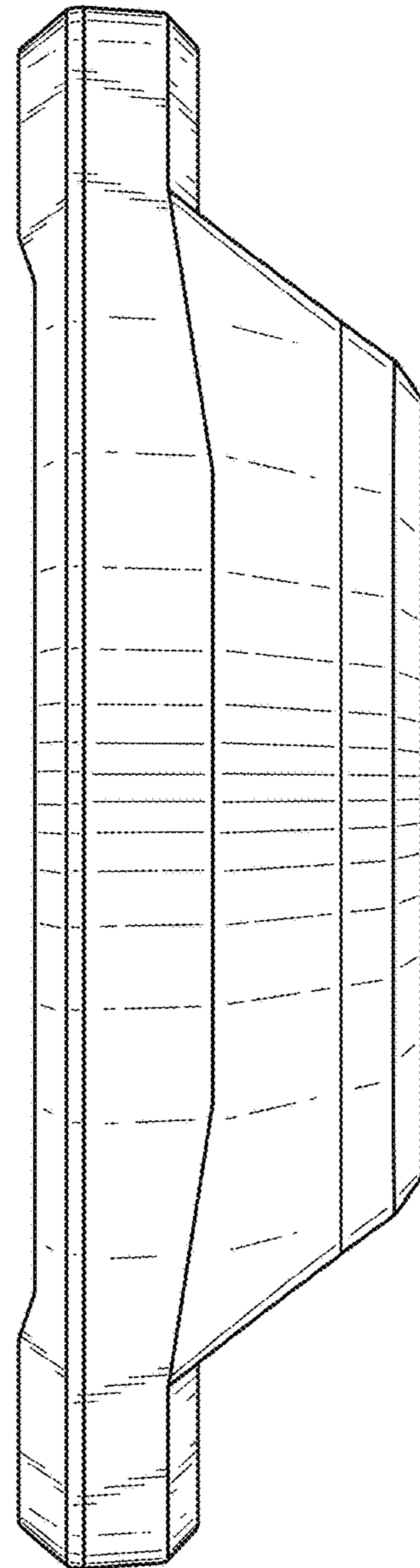


FIG. 13