



US00D867908S

(12) **United States Design Patent** (10) **Patent No.:** **US D867,908 S**
Cai (45) **Date of Patent:** **** Nov. 26, 2019**

(54) **NIGHT VISION CALIBRATOR**

(71) Applicant: **AUTEL INTELLIGENT TECHNOLOGY CORP., LTD.,**
Shenzhen (CN)

(72) Inventor: **Zhenyu Cai, Shenzhen (CN)**

(73) Assignee: **AUTEL INTELLIGENT TECHNOLOGY CORP., LTD.,**
Shenzhen, Guangdong (CN)

(**) Term: **15 Years**

(21) Appl. No.: **29/648,150**

(22) Filed: **May 18, 2018**

(30) **Foreign Application Priority Data**

Dec. 29, 2017 (CN) 2017 3 0682149

(51) **LOC (12) Cl.** **10-04**

(52) **U.S. Cl.**
USPC **D10/70**

(58) **Field of Classification Search**

USPC D10/70

CPC ... G06D 9/00805; G01S 17/017; G01S 17/89;

G01S 17/936; G01S 7/4865; G01S

7/4868; G01S 11/12; G06K 9/4661;

G06K 9/6293; H04N 5/23216

See application file for complete search history.

(56) **References Cited**

U.S. PATENT DOCUMENTS

9,753,141 B2 * 9/2017 Grauer G01S 7/4865
9,904,859 B2 * 2/2018 Grauer G01S 17/107

* cited by examiner

Primary Examiner — Antoine Duval Davis

(57) **CLAIM**

The ornamental design for a night vision calibrator, as shown and described.

DESCRIPTION

FIG. 1 is a front elevational view of a night vision calibrator showing our new design;

FIG. 2 is a rear elevational view thereof;

FIG. 3 is a left side elevational view thereof;

FIG. 4 is a right side elevational view thereof;

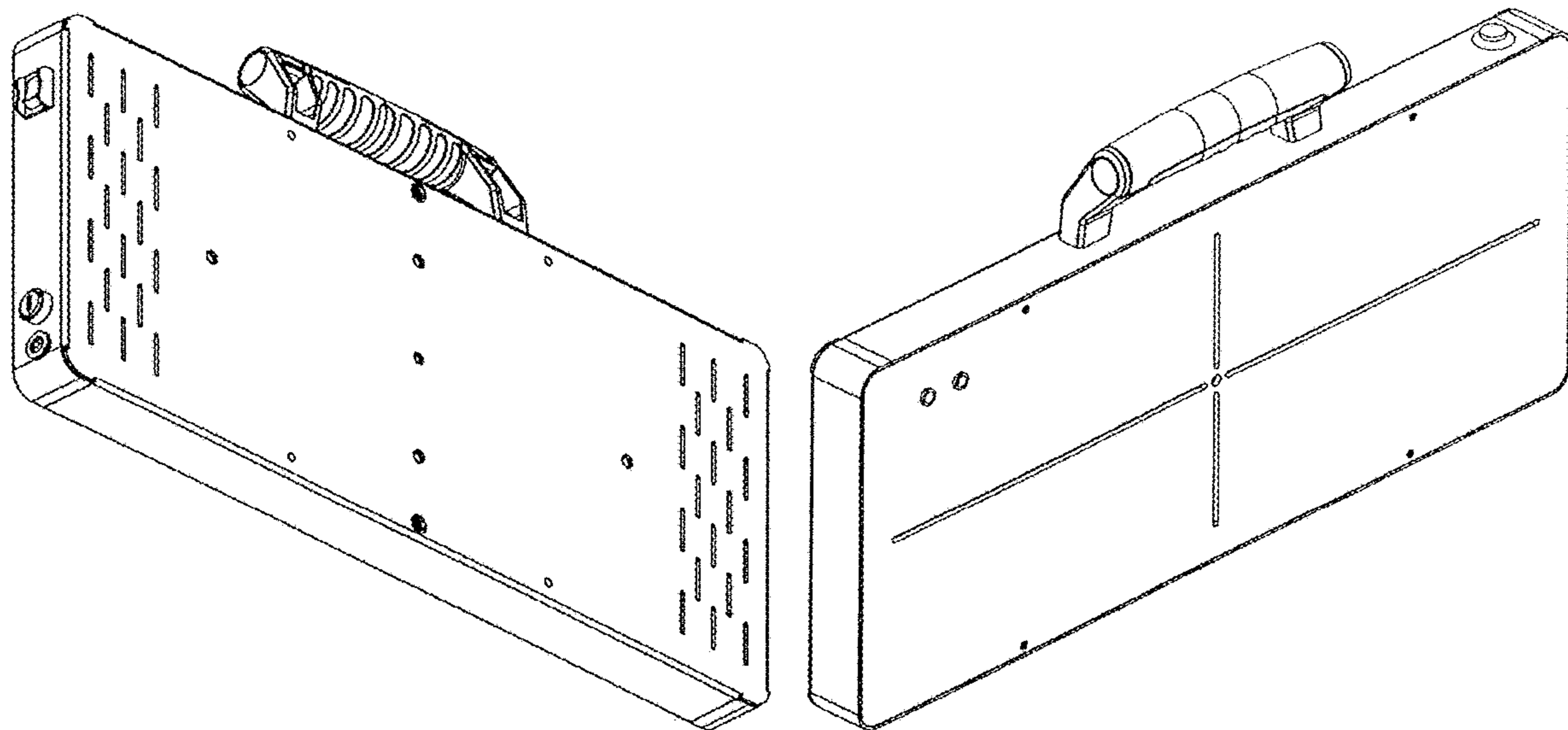
FIG. 5 is a top plan view thereof;

FIG. 6 is a bottom plan view thereof;

FIG. 7 is a perspective view thereof; and,

FIG. 8 is another perspective view thereof.

1 Claim, 4 Drawing Sheets



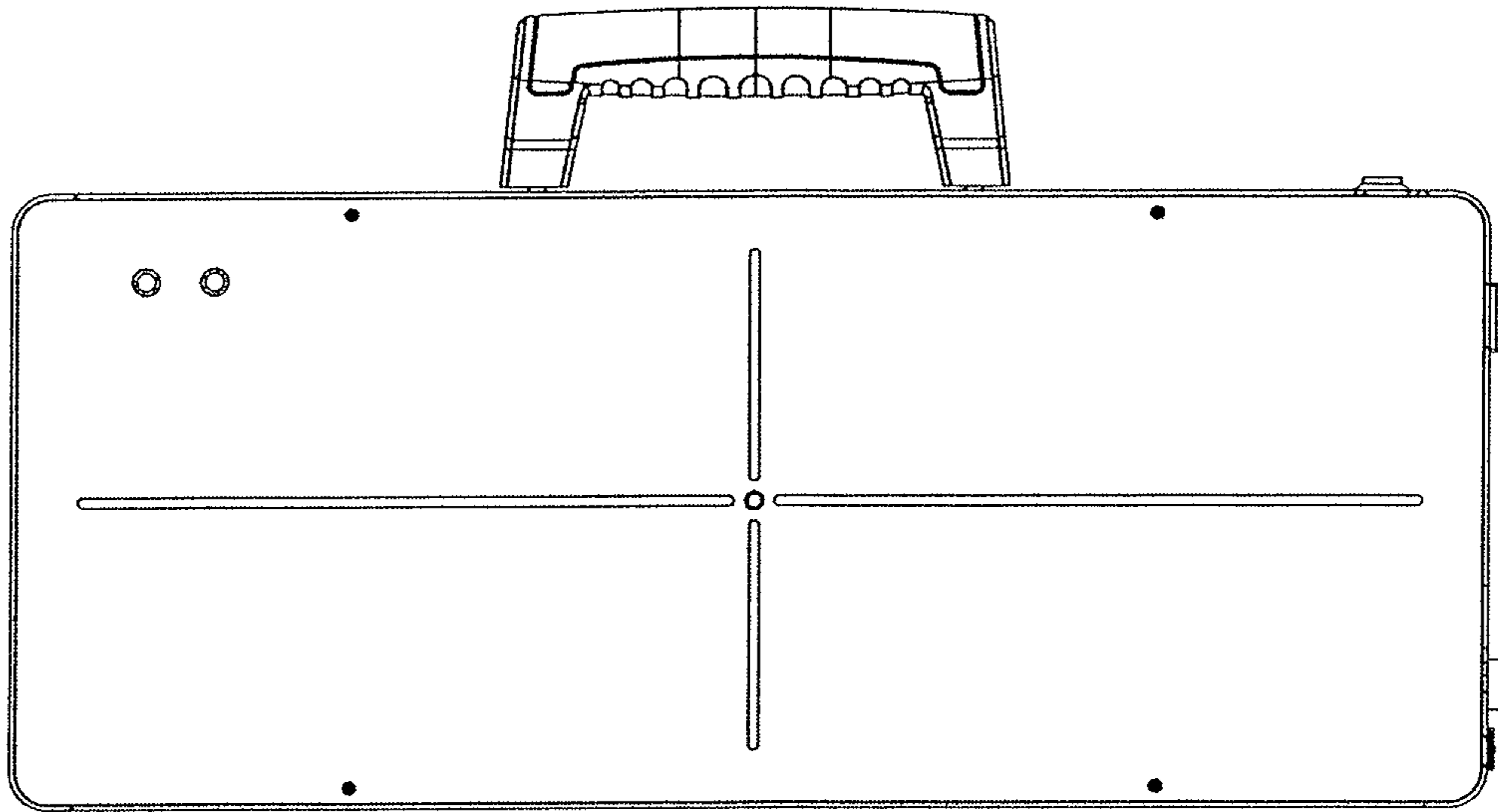


FIG.1

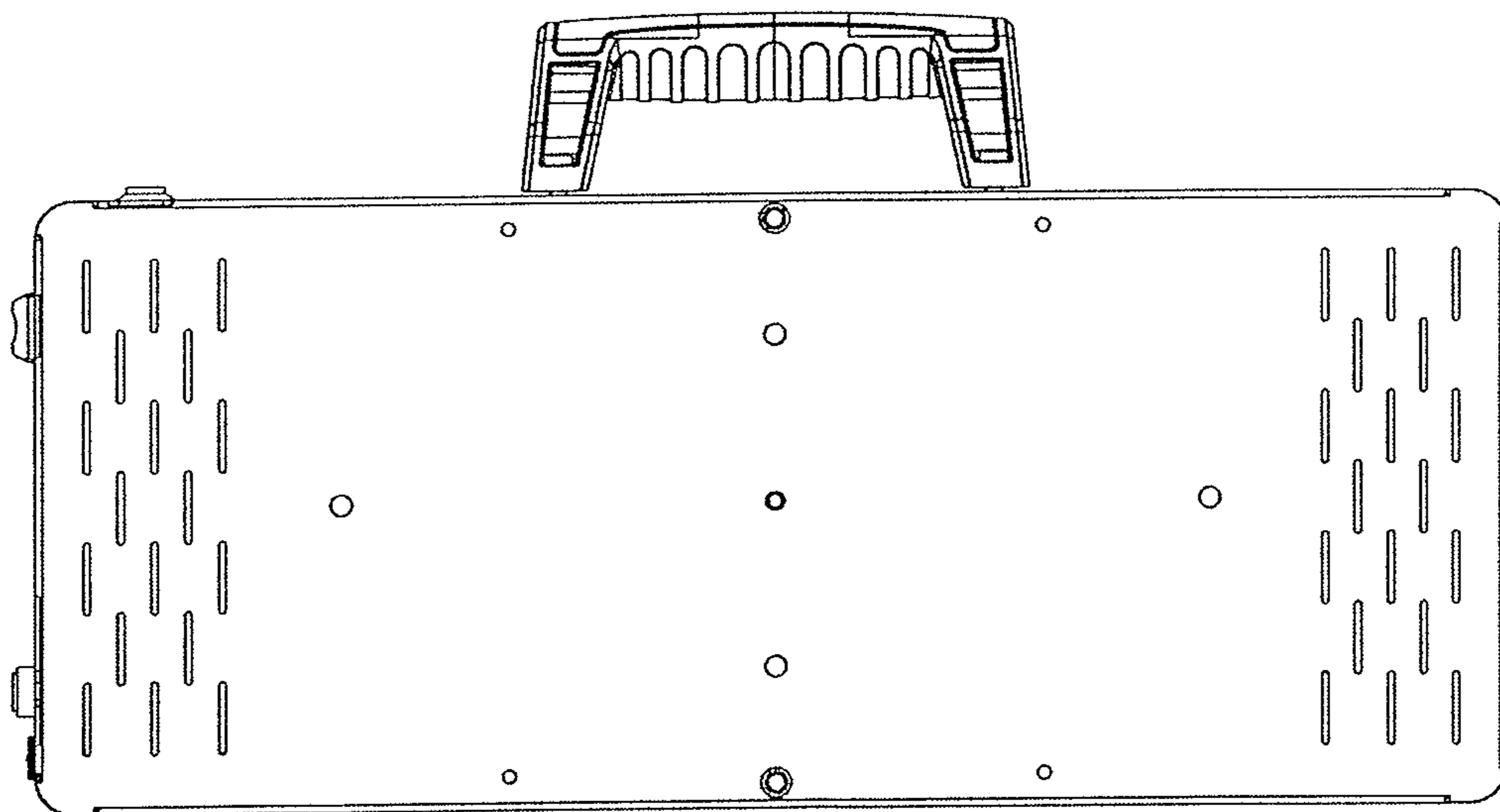


FIG.2

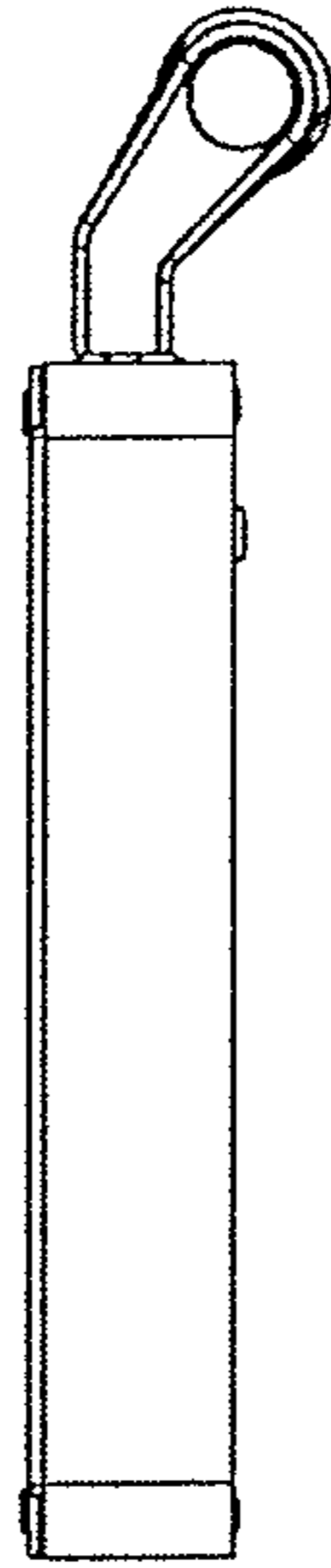


FIG.3



FIG.4

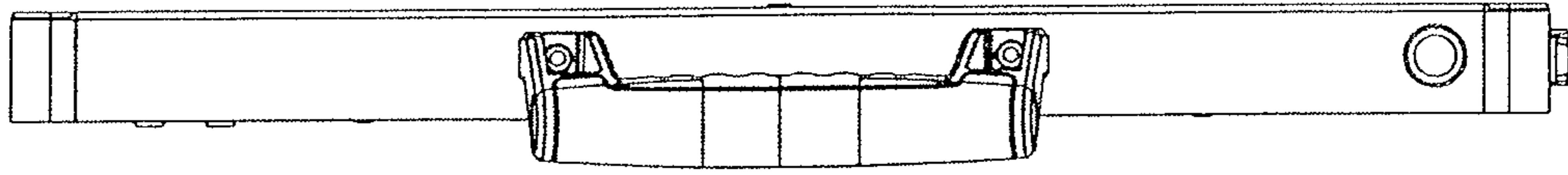


FIG. 5



FIG. 6

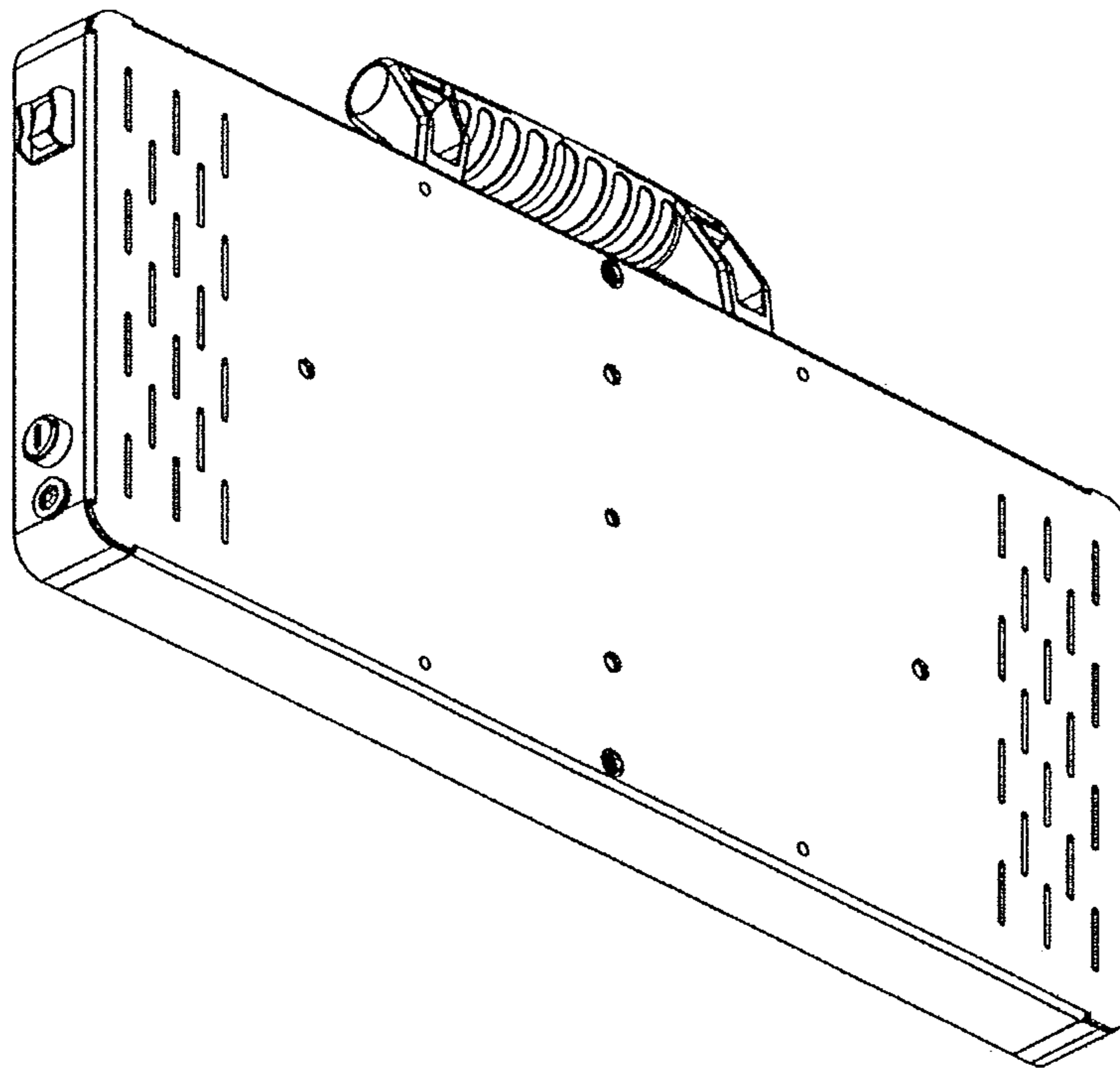


FIG. 7

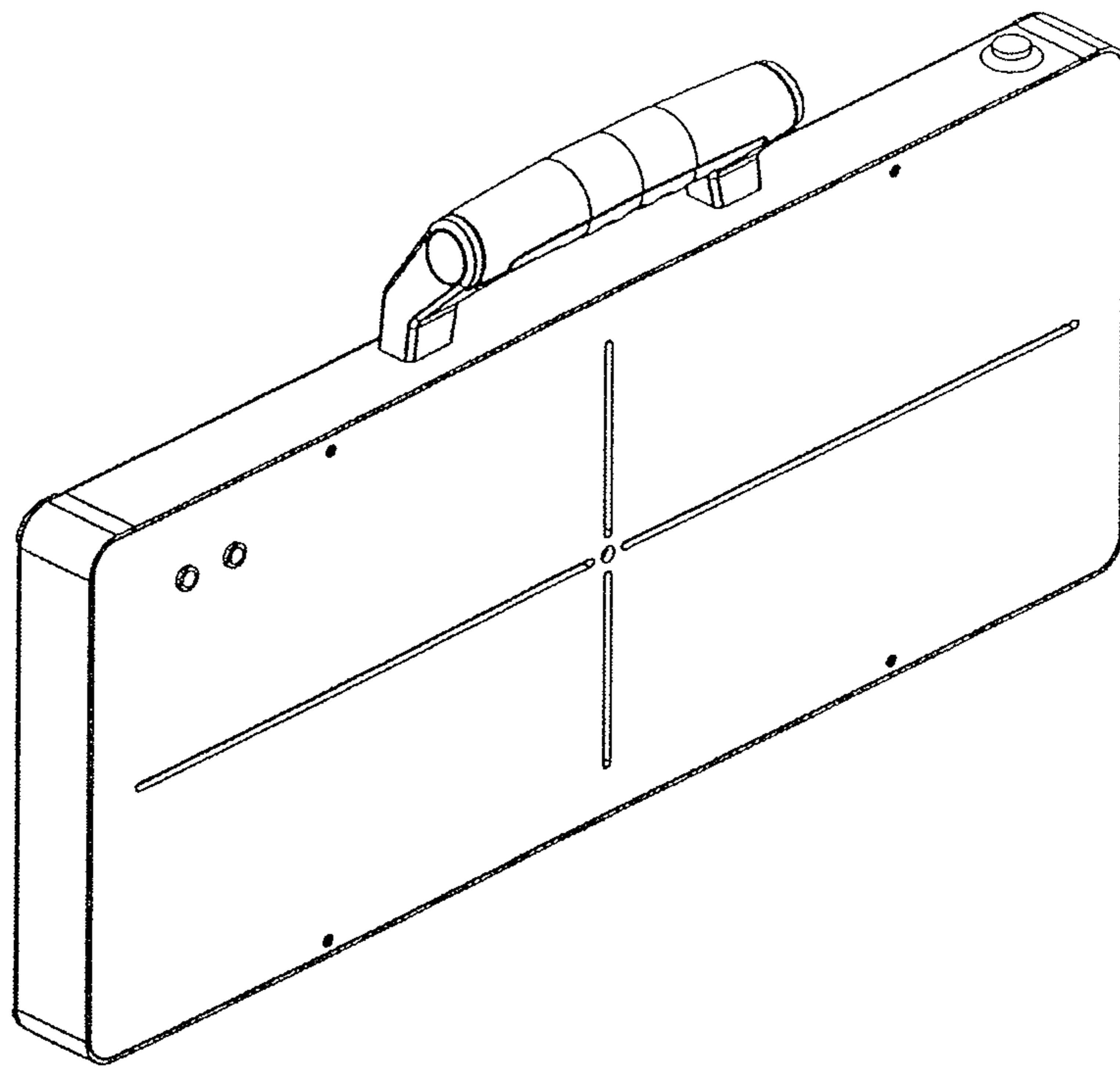


FIG.8