



US00D867906S

(12) **United States Design Patent**  
**Chang**

(10) **Patent No.:** **US D867,906 S**

(45) **Date of Patent:** **\*\* Nov. 26, 2019**

(54) **THERMOMETER**

(71) Applicant: **MOBILE DOCTOR CO., LTD**, Seoul (KR)

(72) Inventor: **Seyun Chang**, Seoul (KR)

(73) Assignee: **MOBILE DOCTOR CO., LTD**, Seoul (KR)

(\*\*) Term: **15 Years**

(21) Appl. No.: **29/660,638**

(22) Filed: **Aug. 22, 2018**

(30) **Foreign Application Priority Data**

Feb. 23, 2018 (KR) ..... 30-2018-0009235

(51) **LOC (12) Cl.** ..... **10-04**

(52) **U.S. Cl.**  
USPC ..... **D10/57**

(58) **Field of Classification Search**  
USPC ..... D10/57

CPC ..... G01K 1/02; G01K 1/022; G01K 1/024;  
G01K 1/08; G01K 1/083; G01K 1/086;  
G01K 3/00-3/14; G01K 2003/145; G01K  
13/002; G01K 13/004; G01K 2219/00;  
G01K 5/04-5/225; G01K 5/22; G01K  
221/00

See application file for complete search history.

(56) **References Cited**

U.S. PATENT DOCUMENTS

D520,881 S \* 5/2006 Guenther ..... D7/701  
D531,529 S \* 11/2006 Sato ..... D10/57  
D843,241 S \* 3/2019 Duck ..... D10/57

\* cited by examiner

*Primary Examiner* — Antoine Duval Davis

(74) *Attorney, Agent, or Firm* — Revolution IP, PLLC

(57) **CLAIM**

The ornamental design for a thermometer, as shown and described.

**DESCRIPTION**

FIG. 1 is a perspective view of a thermometer showing my new design;

FIG. 2 is a front view thereof;

FIG. 3 is a rear view thereof;

FIG. 4 is a left side view thereof;

FIG. 5 is a right side view thereof;

FIG. 6 is a top view thereof;

FIG. 7 is a bottom view thereof; and,

FIG. 8 is an enlarged view of FIG. 5.

**1 Claim, 8 Drawing Sheets**

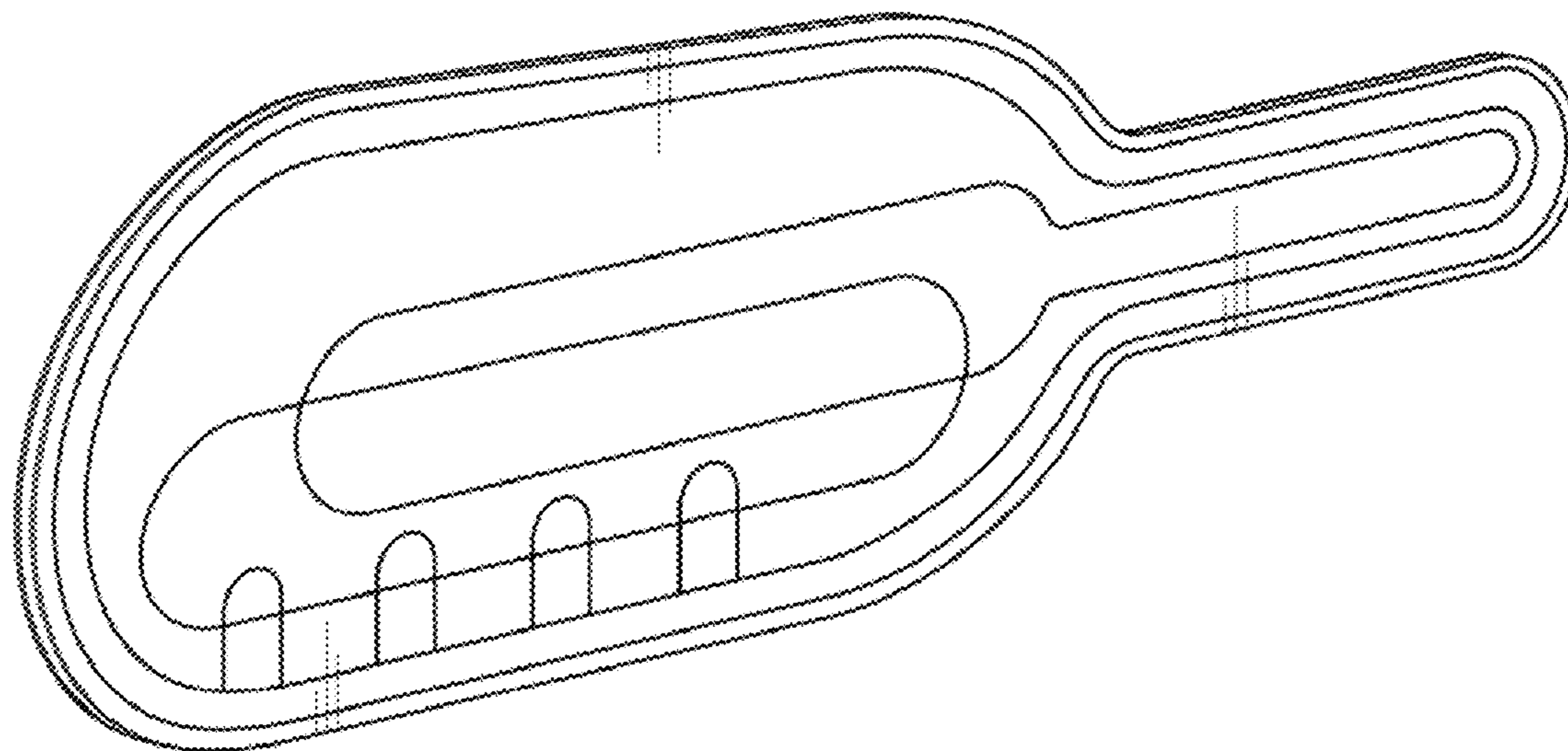


FIG. 1

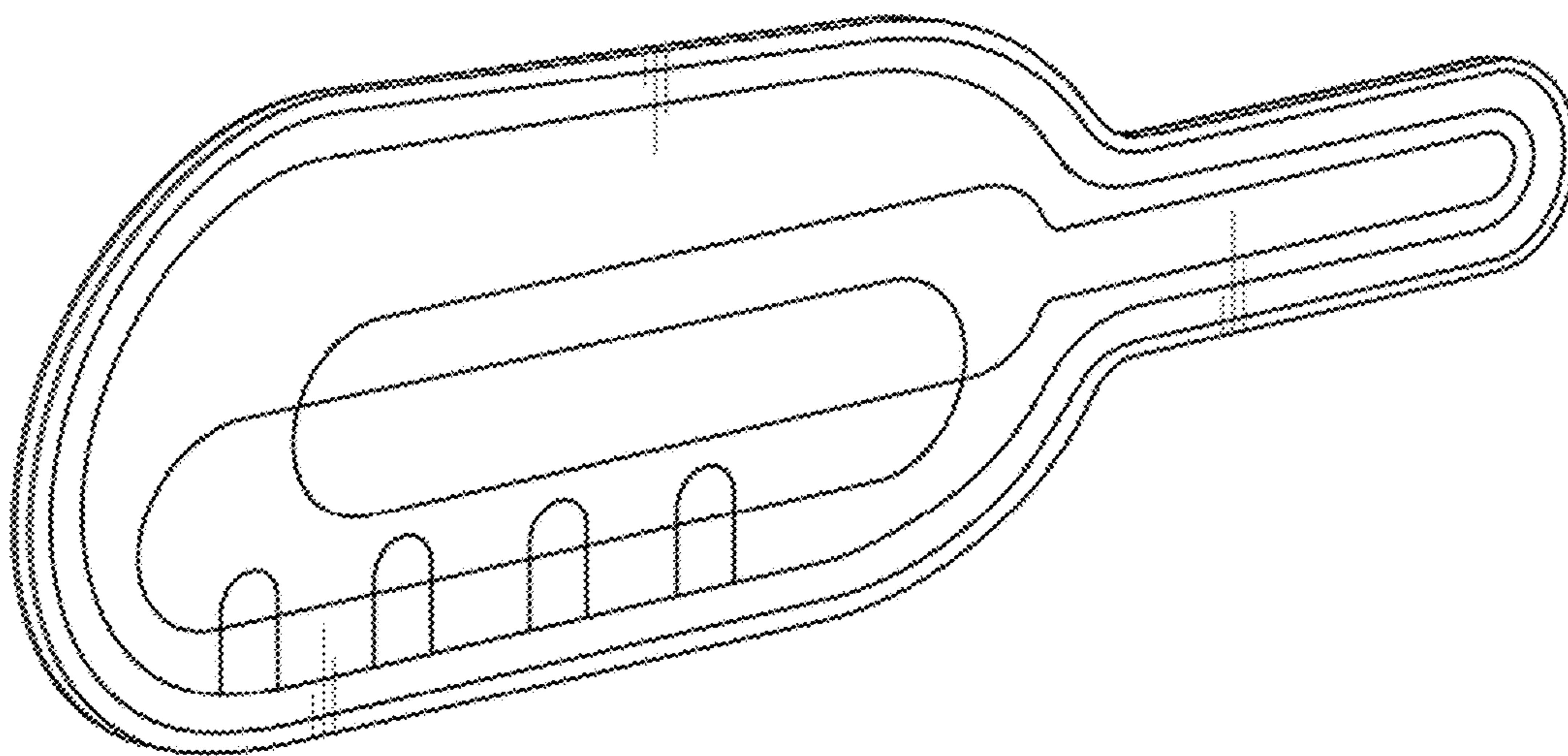


FIG. 2

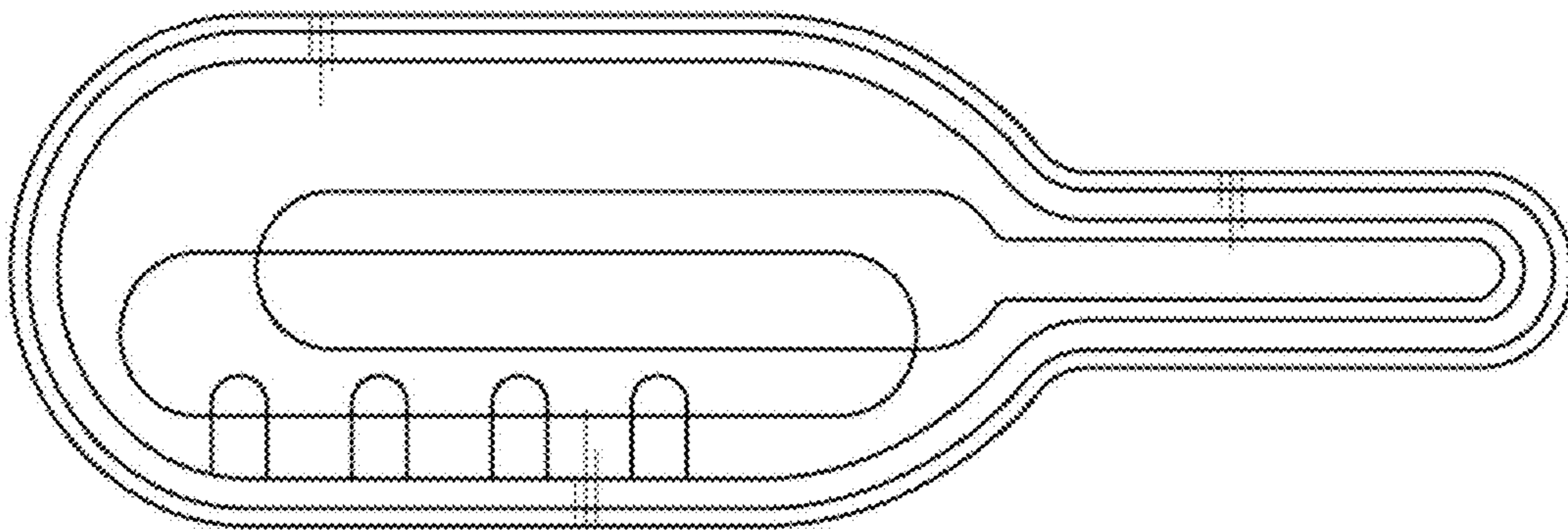


FIG. 3

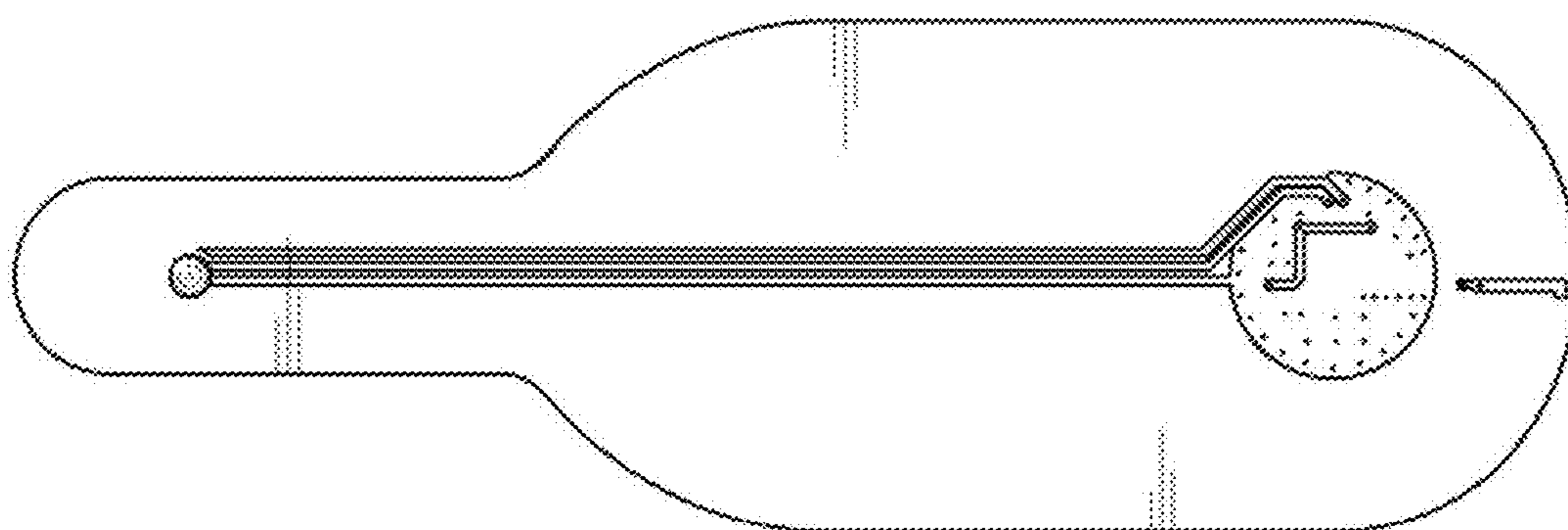


FIG. 4



FIG. 5



FIG. 6

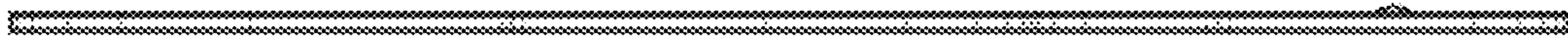


FIG. 7





FIG. 8

