



US00D867904S

(12) **United States Design Patent**
Kongara

(10) **Patent No.:** **US D867,904 S**

(45) **Date of Patent:** **** Nov. 26, 2019**

(54) **IRRIGATION CONTROLLER ENCLOSURE**

(71) Applicant: **Venkataprasad Kongara**, San Jose, CA (US)

(72) Inventor: **Venkataprasad Kongara**, San Jose, CA (US)

(73) Assignee: **Venkataprasad Kongara**, San Jose, CA (US)

(**) Term: **15 Years**

(21) Appl. No.: **29/644,220**

(22) Filed: **Apr. 16, 2018**

(51) **LOC (12) Cl.** **10-04**

(52) **U.S. Cl.**
USPC **D10/49; D10/40; D13/162.1**

(58) **Field of Classification Search**
USPC **D10/40, 49, 50, 102, 103; D13/162, D13/162.1, 164, 168, 173, 177, 184; D23/246**

CPC **B05B 12/02; G01F 11/30; G05D 11/00; F16K 31/02; A01G 25/16; A01G 25/162; A01G 25/165; A01G 27/003; A01G 27/008; Y10T 137/86389; Y10T 137/86397; Y10T 137/87877; Y10T 137/86461**

See application file for complete search history.

(56) **References Cited**

U.S. PATENT DOCUMENTS

D780,136 S * 2/2017 Chudoba D13/184

* cited by examiner

Primary Examiner — Antoine Duval Davis

(57) **CLAIM**

The ornamental design for an irrigation controller enclosure, as shown and described.

DESCRIPTION

FIG. 1 illustrates a perspective view of the irrigation controller enclosure;

FIG. 2 illustrates a front view of the irrigation controller enclosure;

FIG. 3 illustrates a rear view of the irrigation controller enclosure;

FIG. 4 illustrates a left side view of the irrigation controller enclosure;

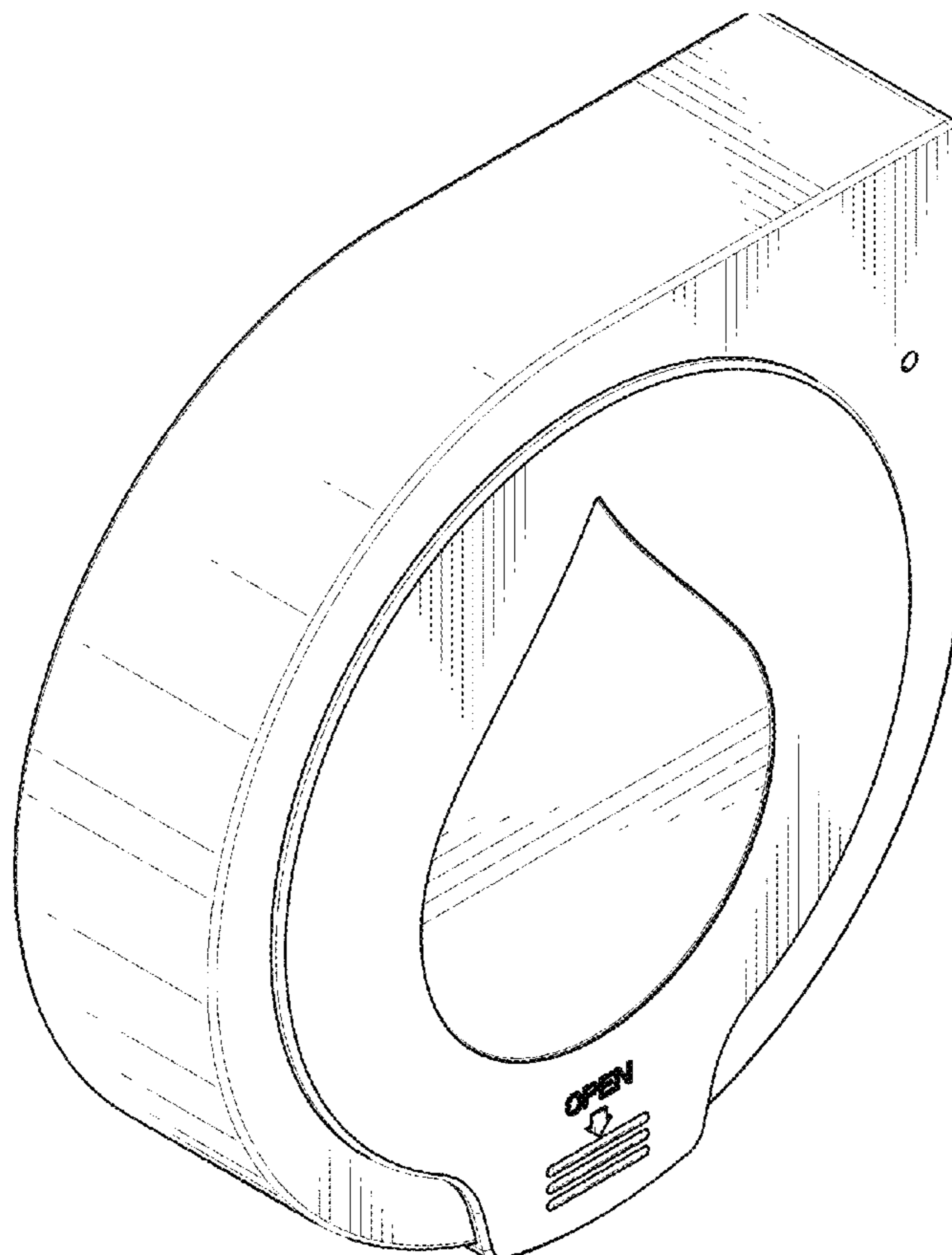
FIG. 5 illustrates a right side view of the irrigation controller enclosure;

FIG. 6 illustrates a top view of the irrigation controller enclosure; and,

FIG. 7 illustrates a bottom view of the irrigation controller enclosure.

The broken lines within the FIG. 7 are for illustrative purposes only and form no part of the presently claimed.

1 Claim, 7 Drawing Sheets



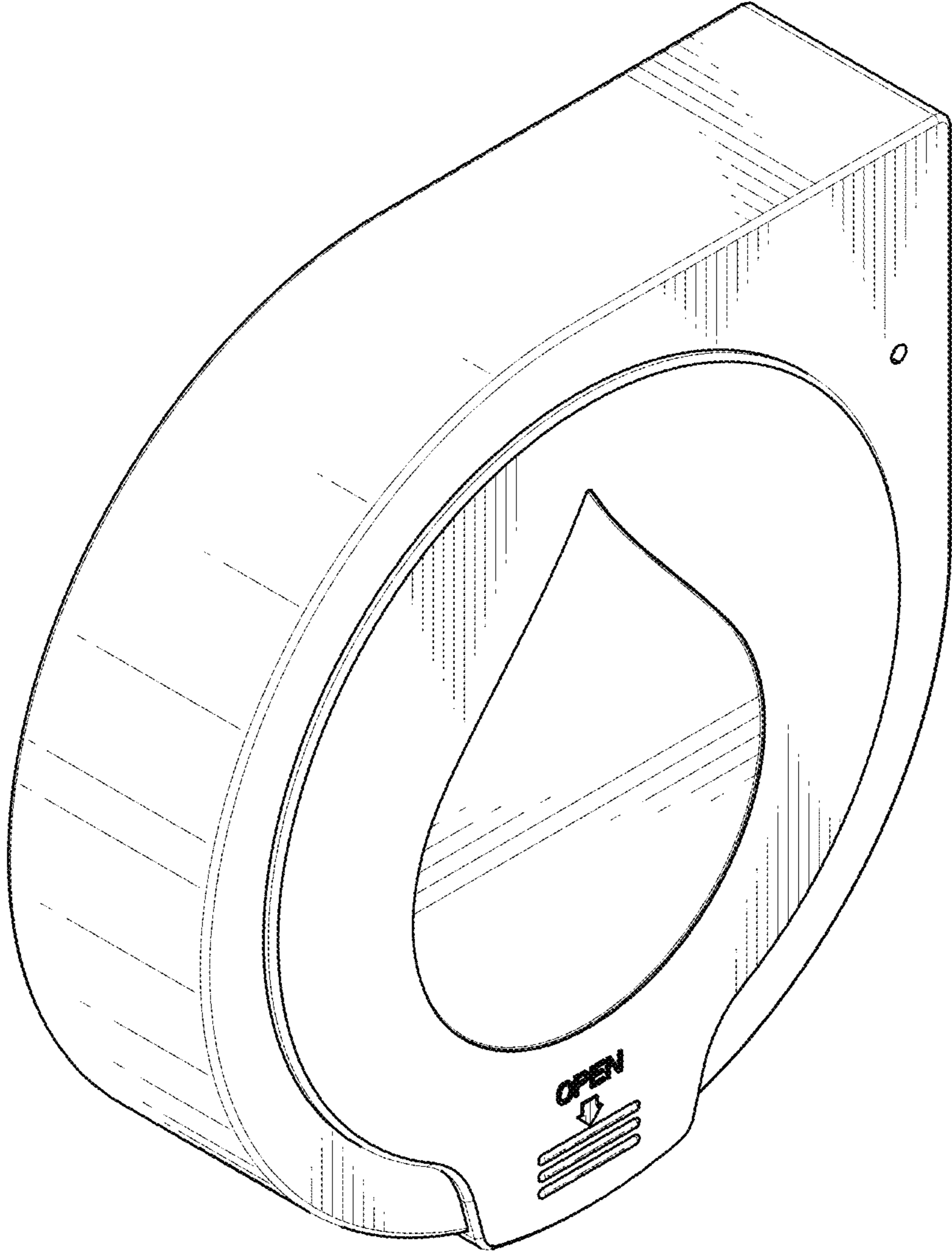


FIG. 1

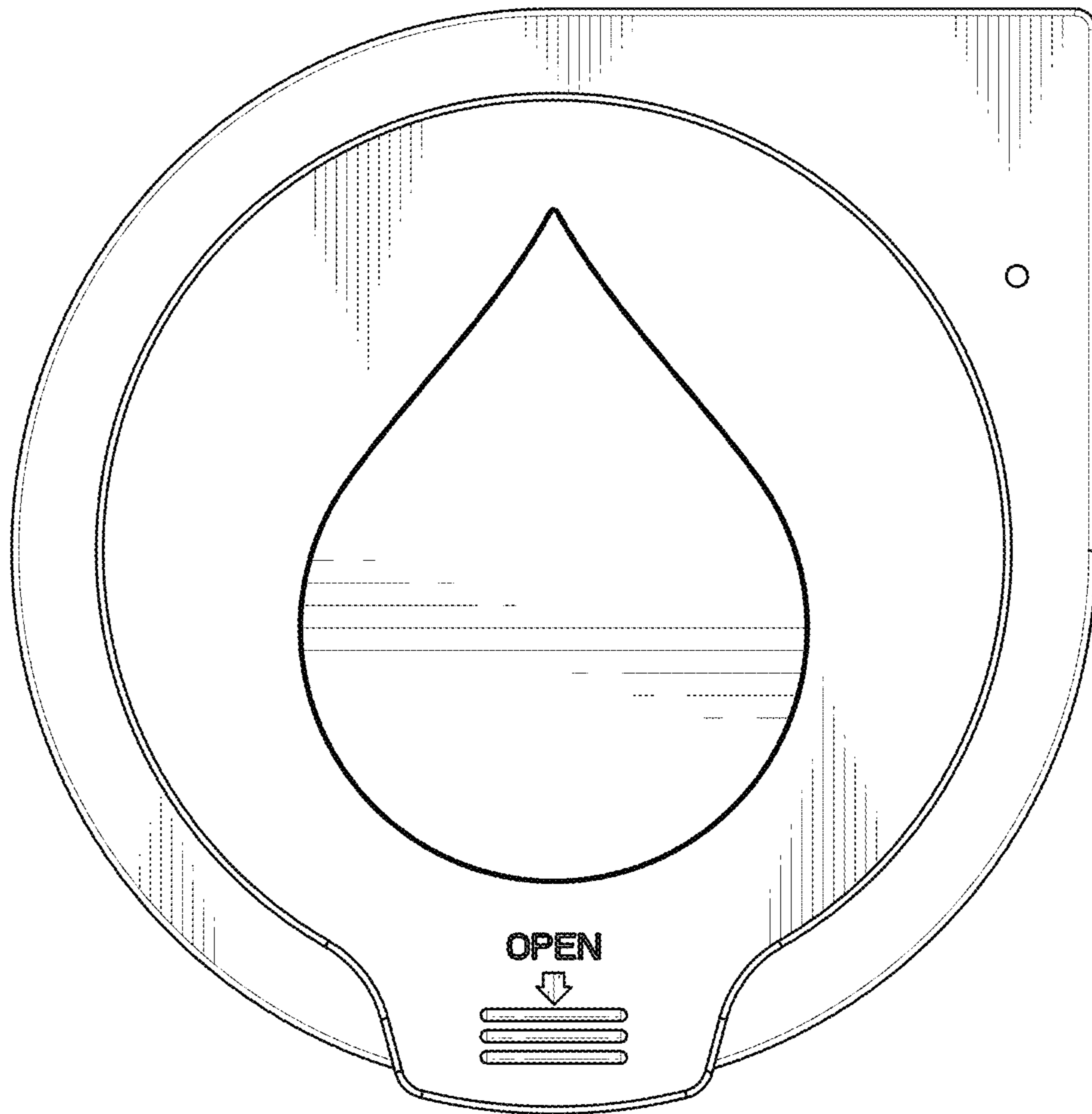


FIG. 2

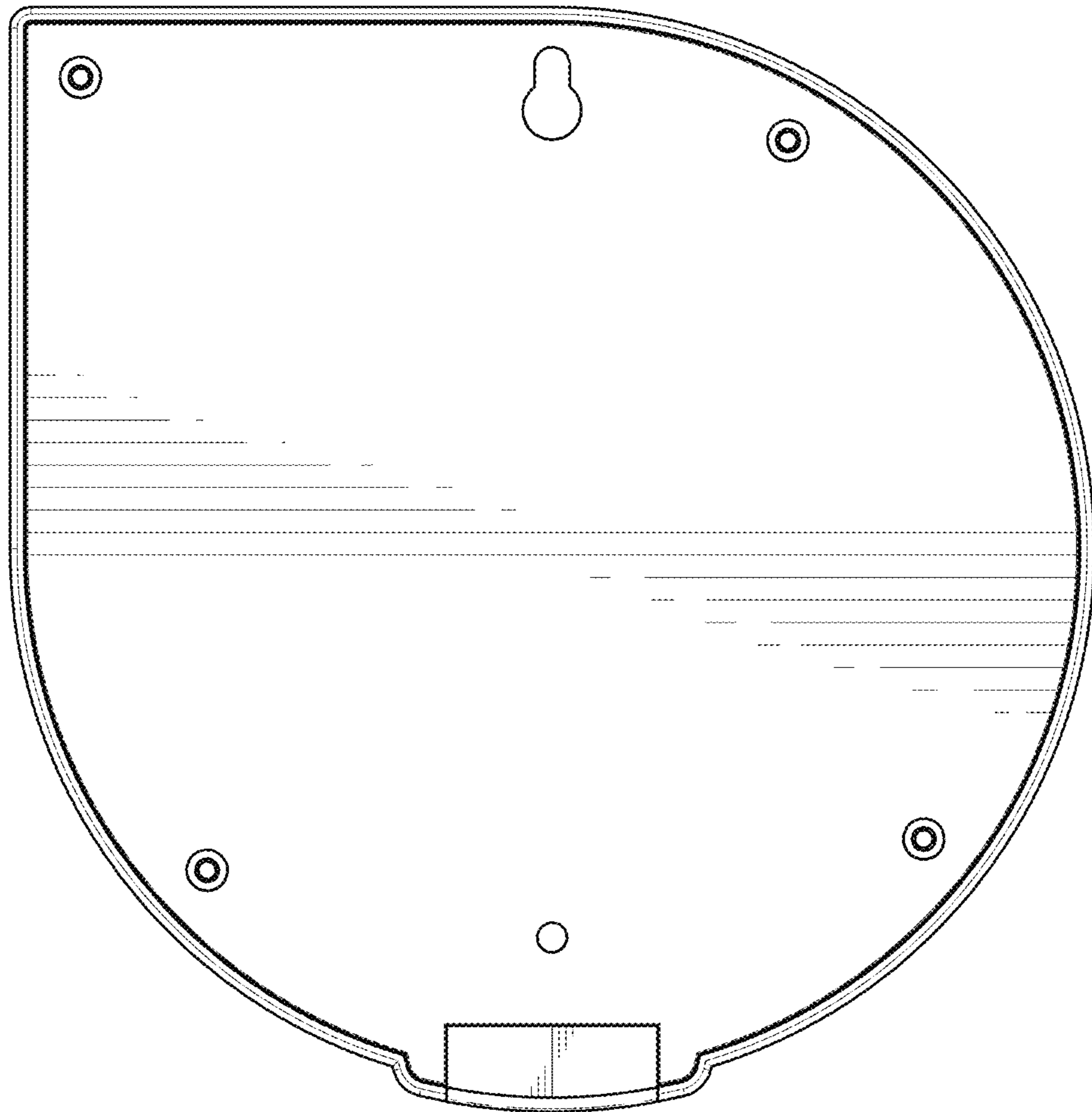


FIG. 3

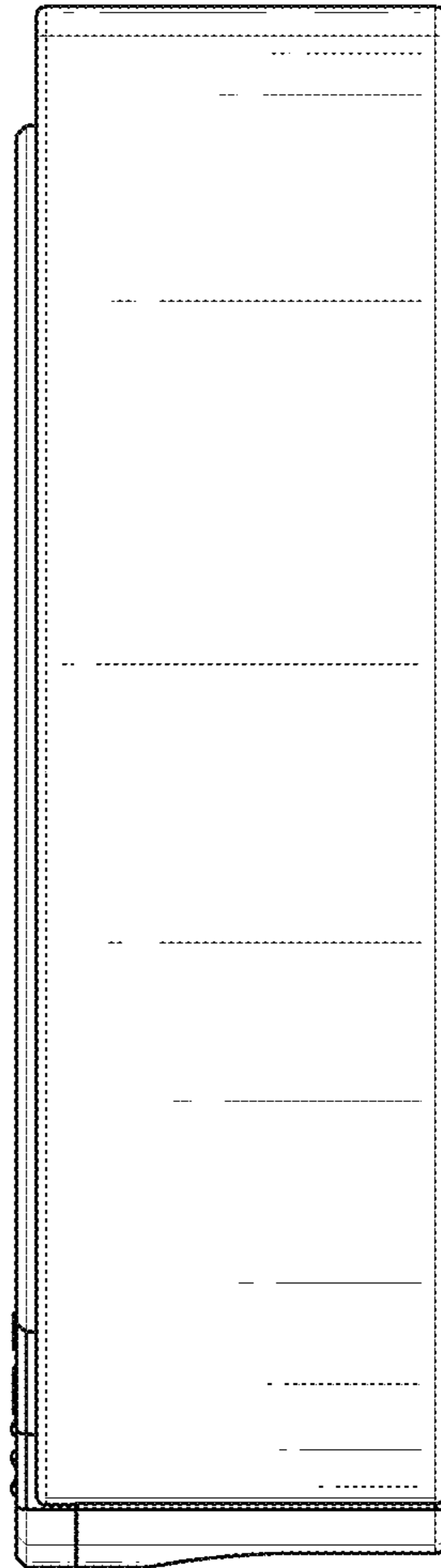


FIG. 4

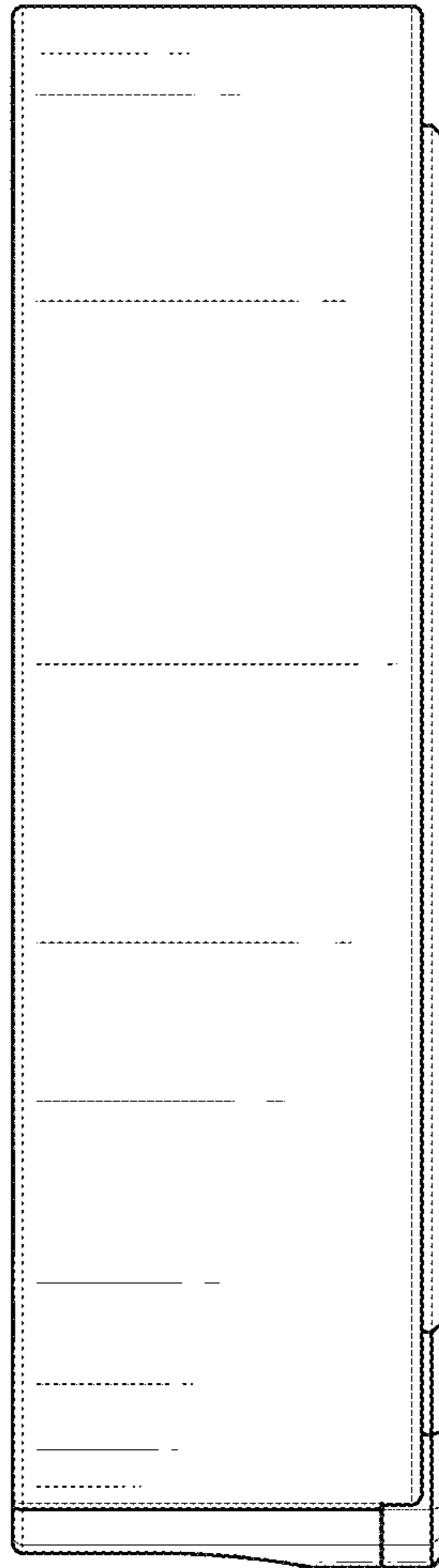


FIG. 5



FIG. 6

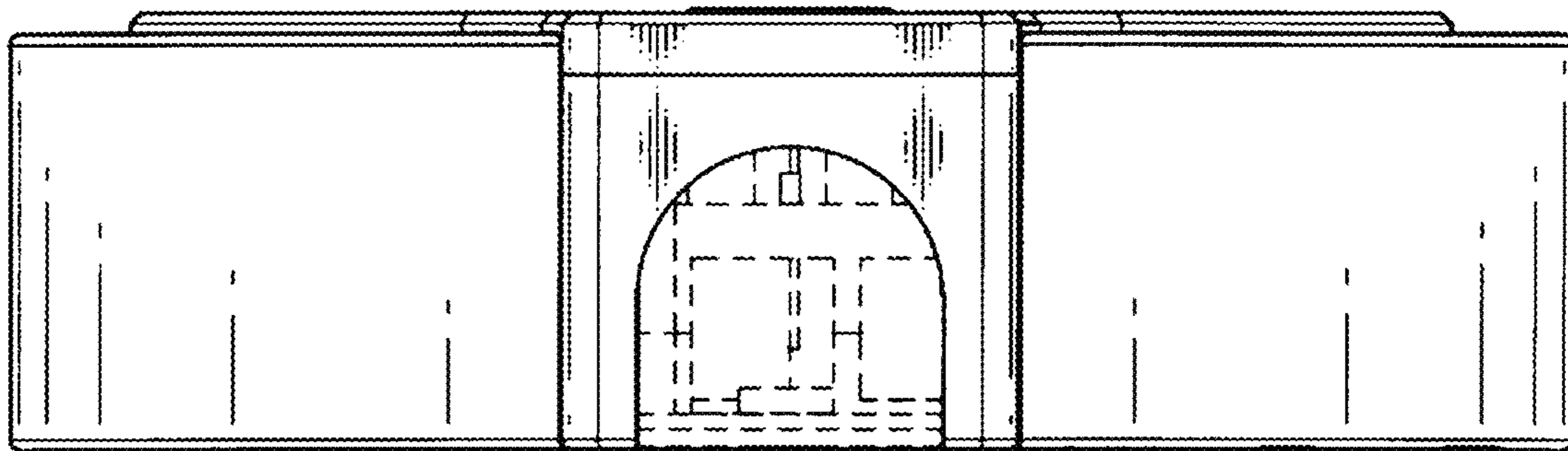


FIG. 7