



US00D867903S

(12) **United States Design Patent** (10) **Patent No.:** **US D867,903 S**  
**Song et al.** (45) **Date of Patent:** **\*\* Nov. 26, 2019**

(54) **BLACK BOX FOR VEHICLES**  
(71) Applicant: **LG ELECTRONICS INC.**, Seoul (KR)  
(72) Inventors: **Seunghwan Song**, Seoul (KR); **Seungmo Kang**, Seoul (KR); **Hansoo Kim**, Seoul (KR)  
(73) Assignee: **LG Electronics Inc.**, Seoul (KR)  
(\*\*) Term: **15 Years**  
(21) Appl. No.: **35/505,371**  
(22) Filed: **Jan. 25, 2018**

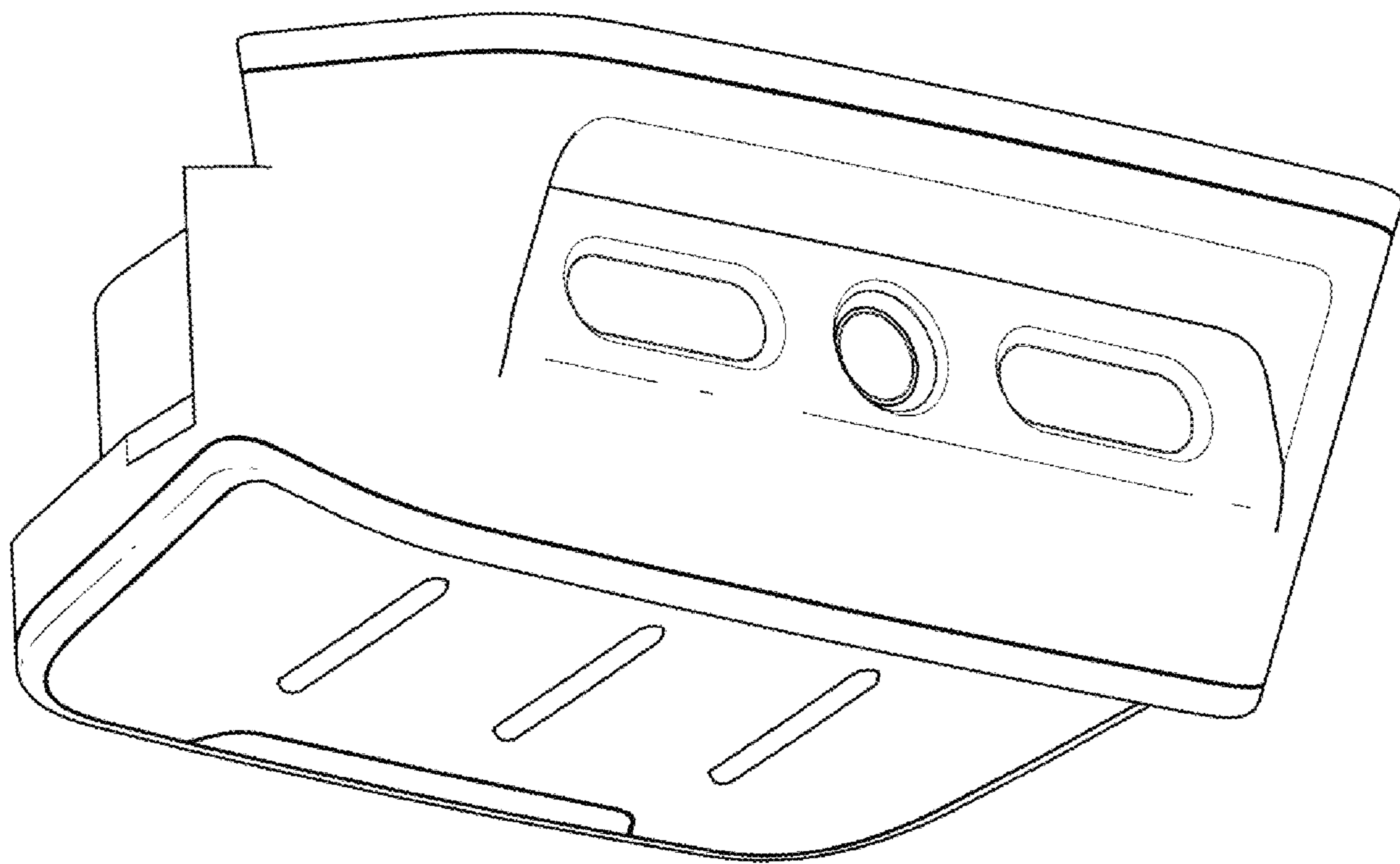
(80) **Hague Agreement Data**  
Int. Filing Date: **Jan. 25, 2018**  
Int. Reg. No.: **DM/100744**  
Int. Reg. Date: **Jan. 25, 2018**  
Int. Reg. Pub. Date: **Jul. 27, 2018**  
(30) **Foreign Application Priority Data**  
Jul. 26, 2017 (KR) ..... 30-2017-0034427  
(51) **LOC (12) Cl.** ..... **10-04**  
(52) **U.S. Cl.**  
USPC ..... **D10/46**  
(58) **Field of Classification Search**  
USPC ..... D10/46; D12/400; D16/202  
See application file for complete search history.

(56) **References Cited**  
U.S. PATENT DOCUMENTS  
D803,919 S \* 11/2017 Jeong ..... D16/202  
D805,459 S \* 12/2017 Choo ..... D12/400  
D821,895 S \* 7/2018 Jeong ..... D10/46  
\* cited by examiner  
*Primary Examiner* — George D. Kirschbaum  
(74) *Attorney, Agent, or Firm* — Birch, Stewart, Kolasch & Birch, LLP

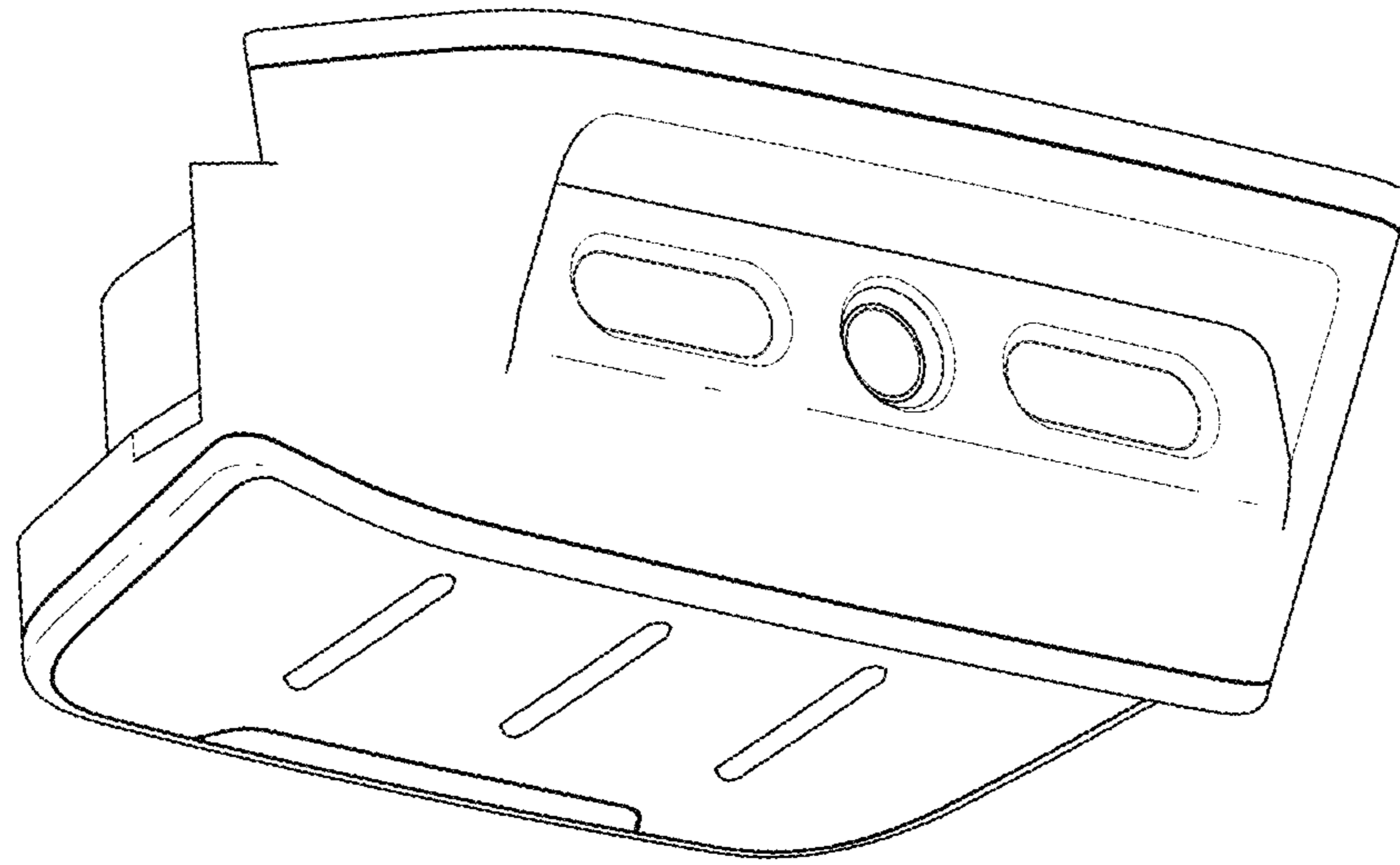
(57) **CLAIM**  
The ornamental design for a black box for vehicles, as shown and described.

**DESCRIPTION**  
1. Black box for vehicles  
1.1 : Perspective  
1.2 : Rear perspective  
1.3 : Front  
1.4 : Back  
1.5 : Left  
1.6 : Right  
1.7 : Top  
1.8 : Bottom  
1.9 : Reference  
Reproduction 1.9 is a reference view showing the subject design installed on the overhead console for vehicles. The broken lines depict unclaimed environmental subject matter.

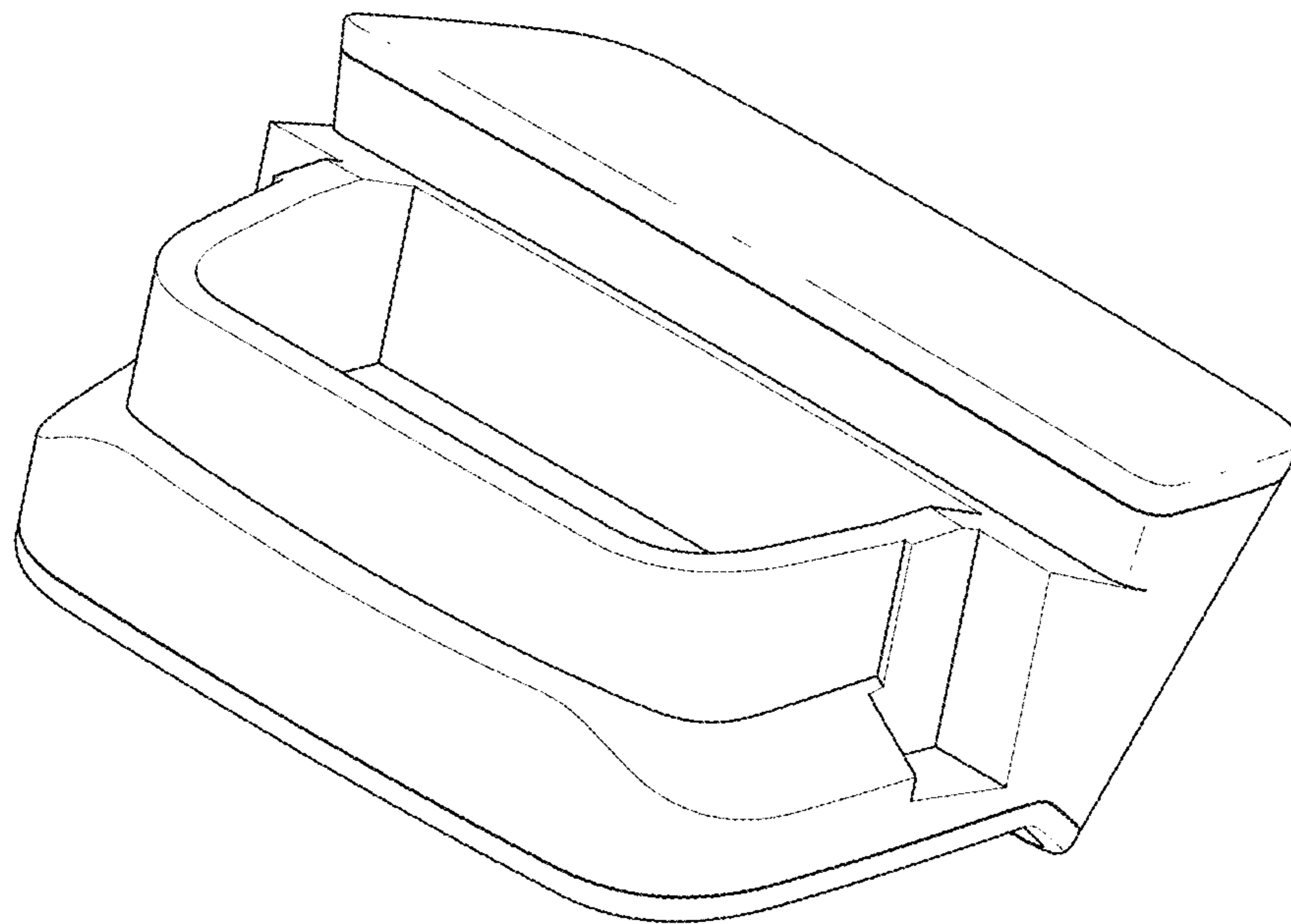
**1 Claim, 4 Drawing Sheets**



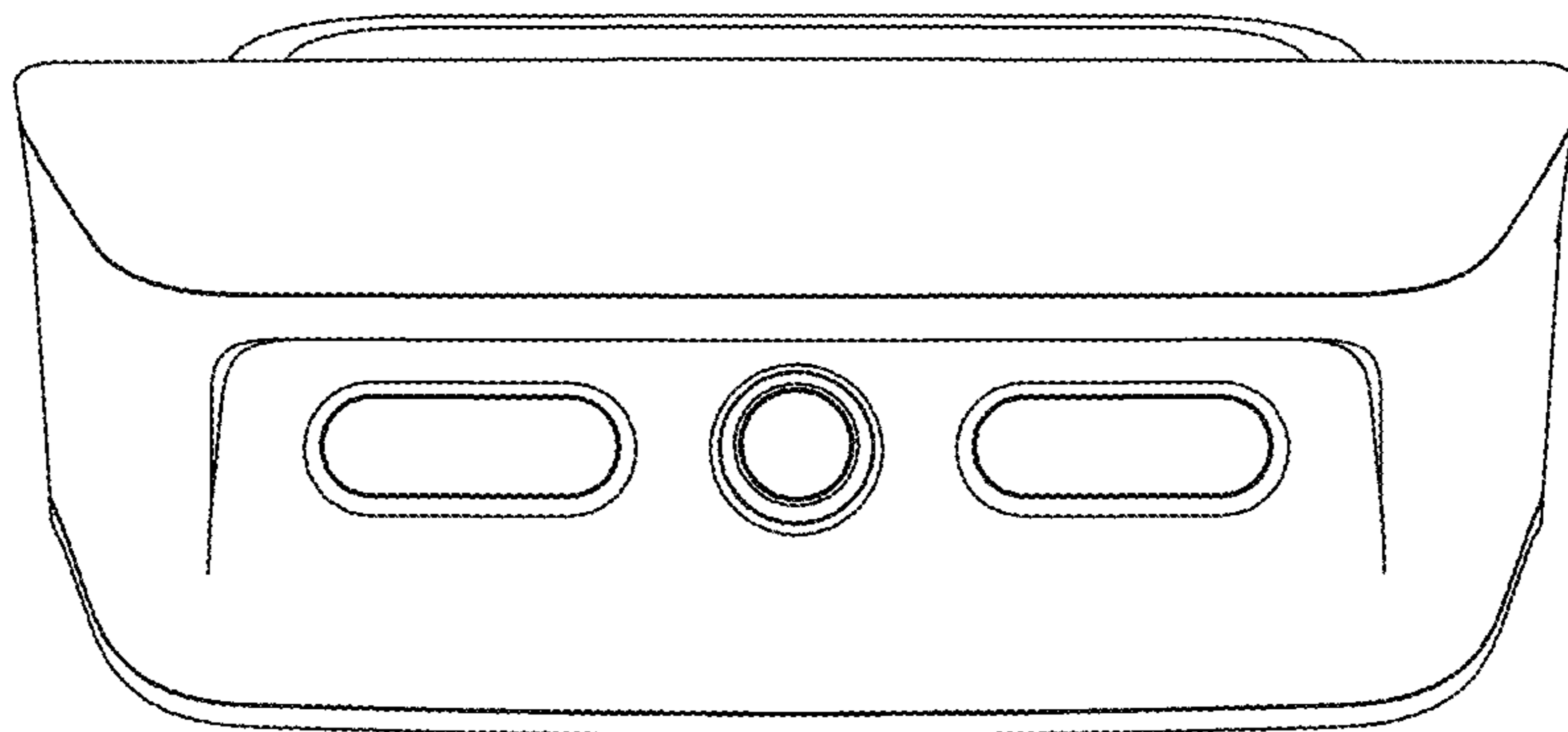
1.1



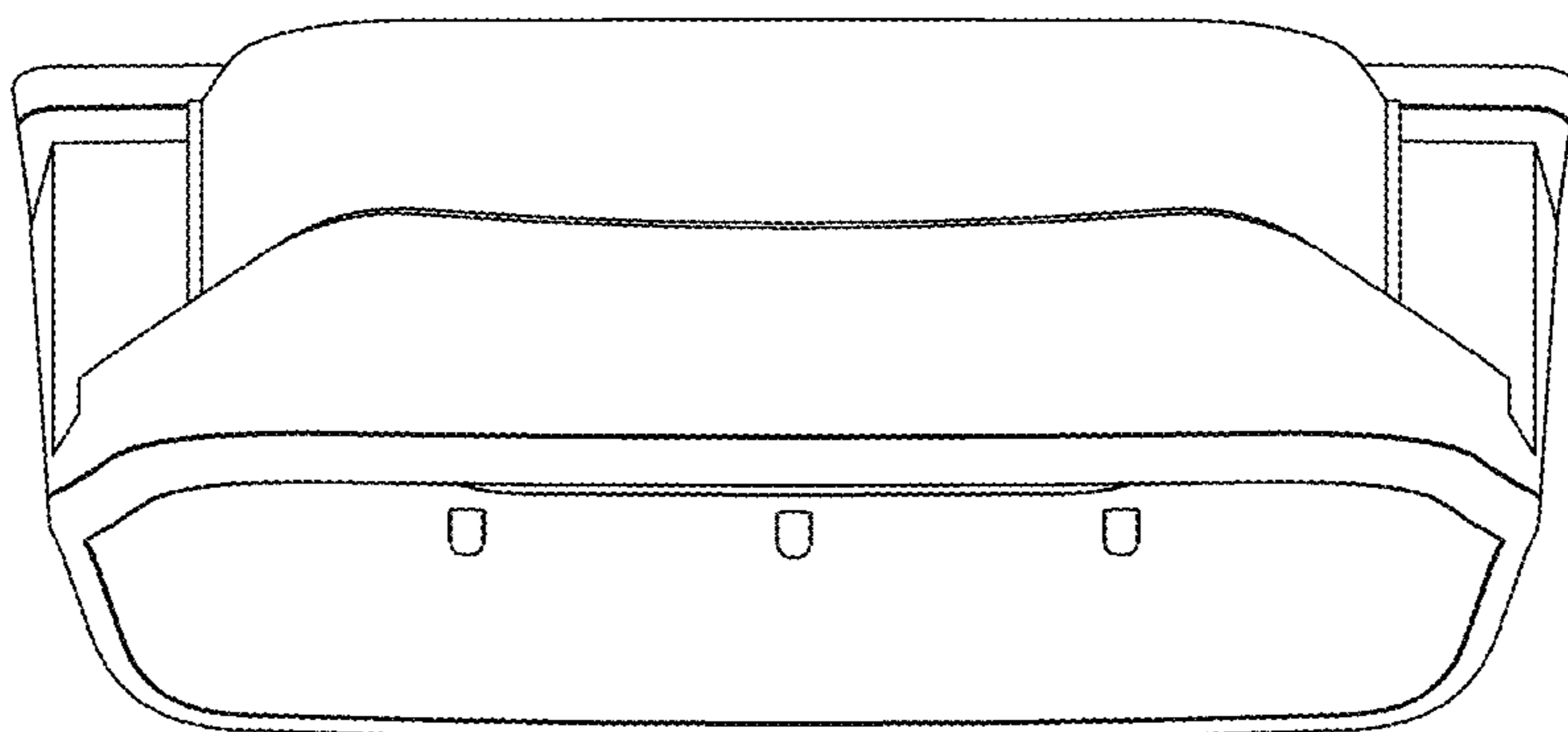
1.2



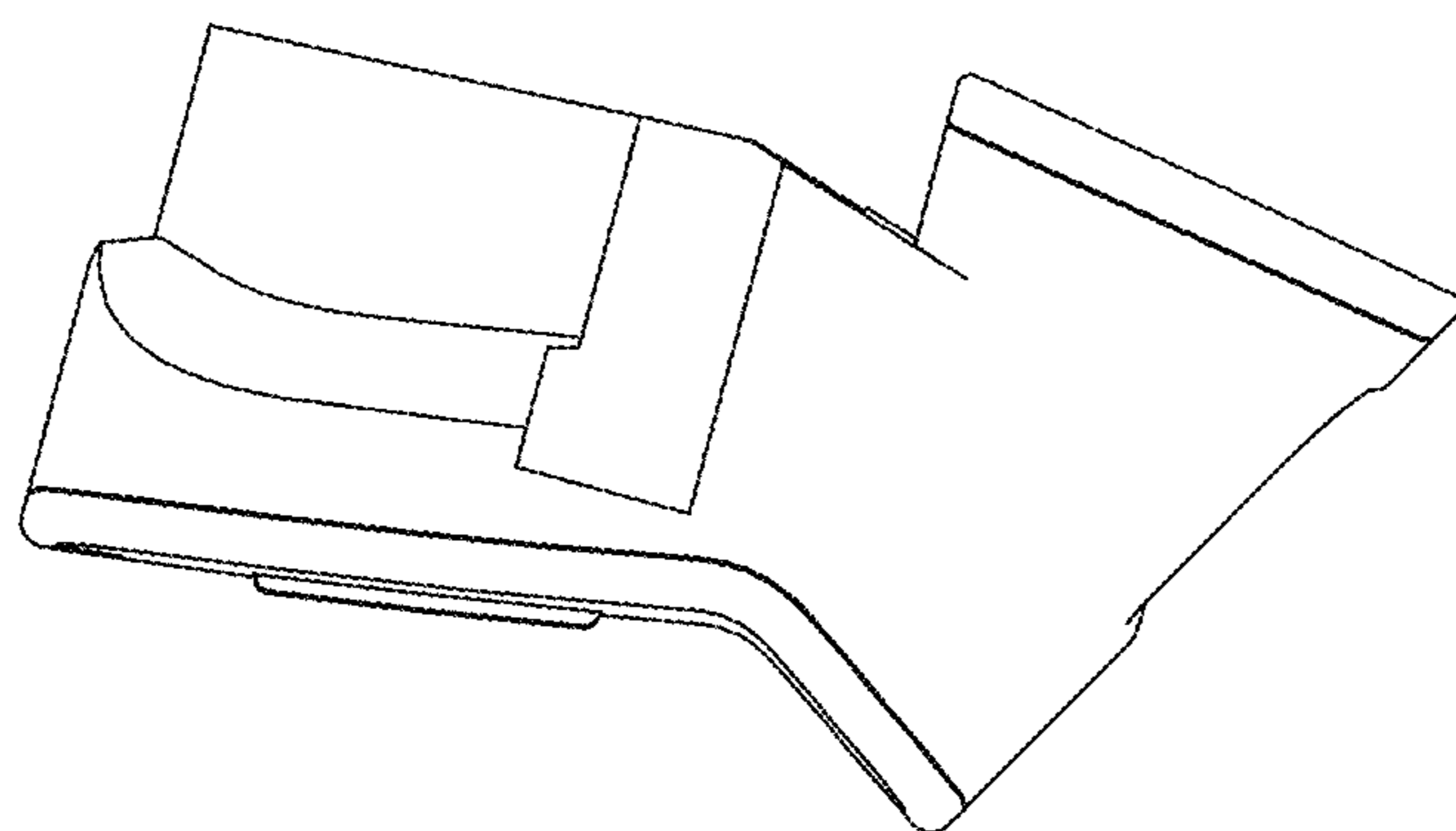
1.3



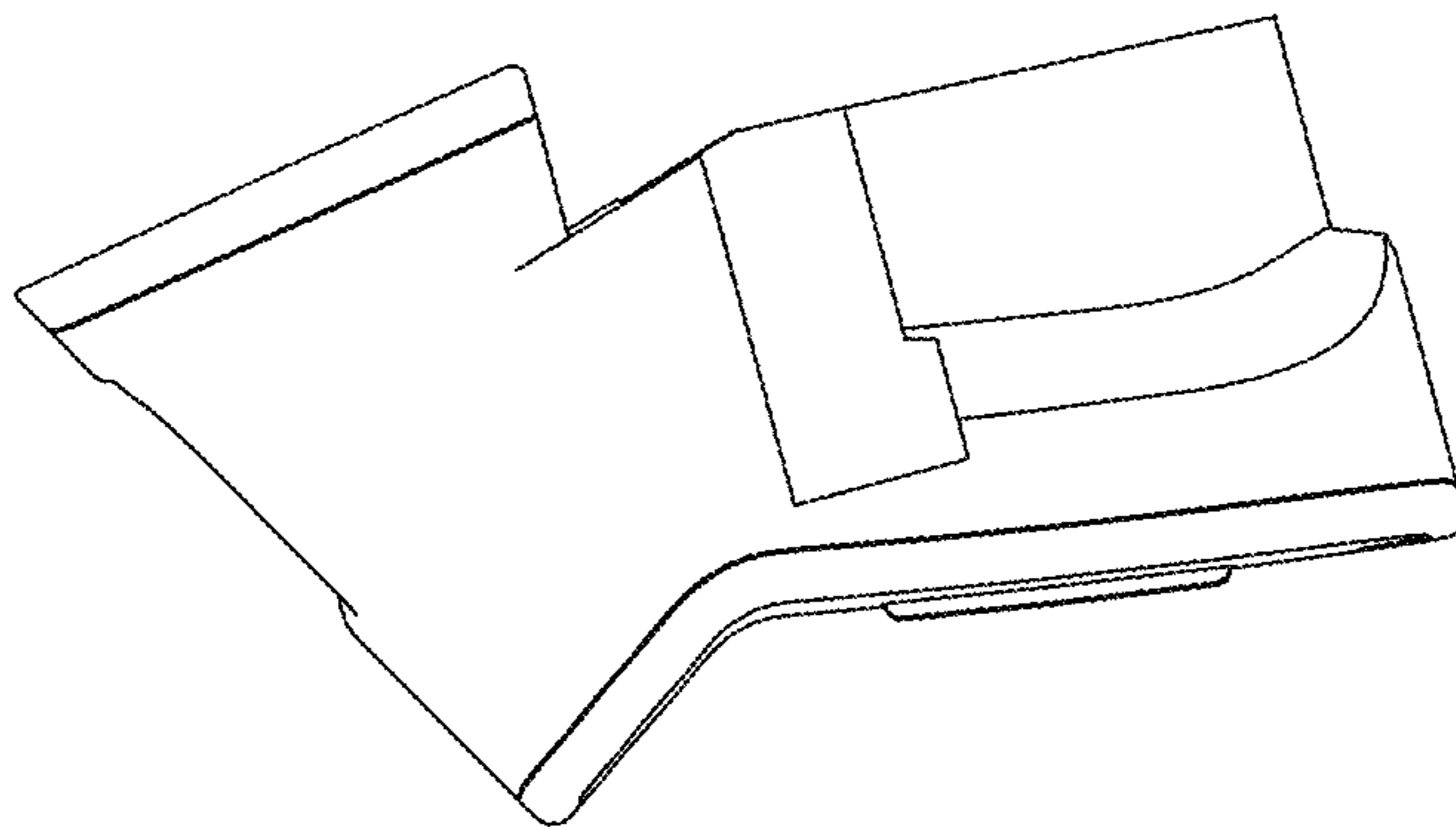
1.4



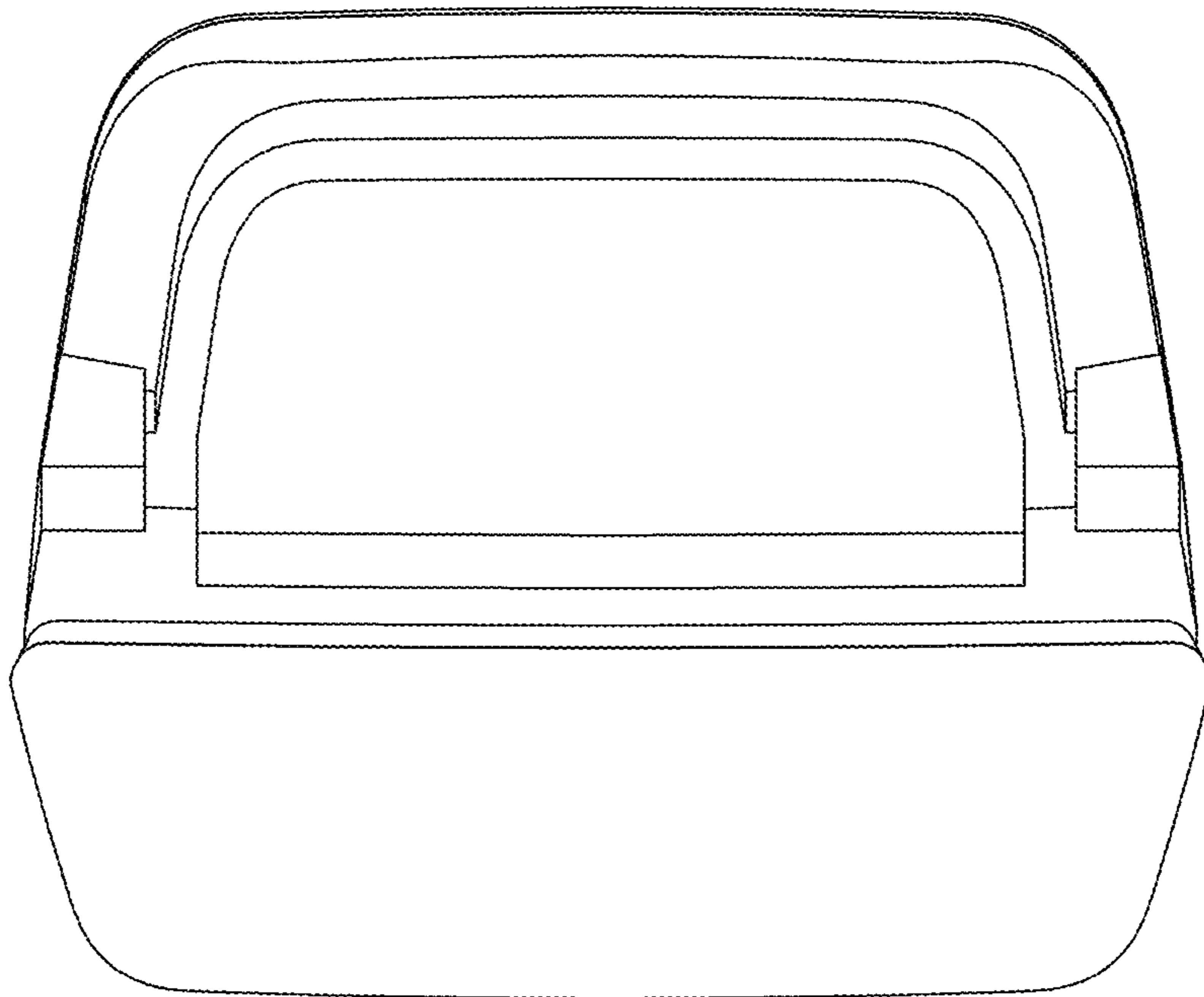
1.5



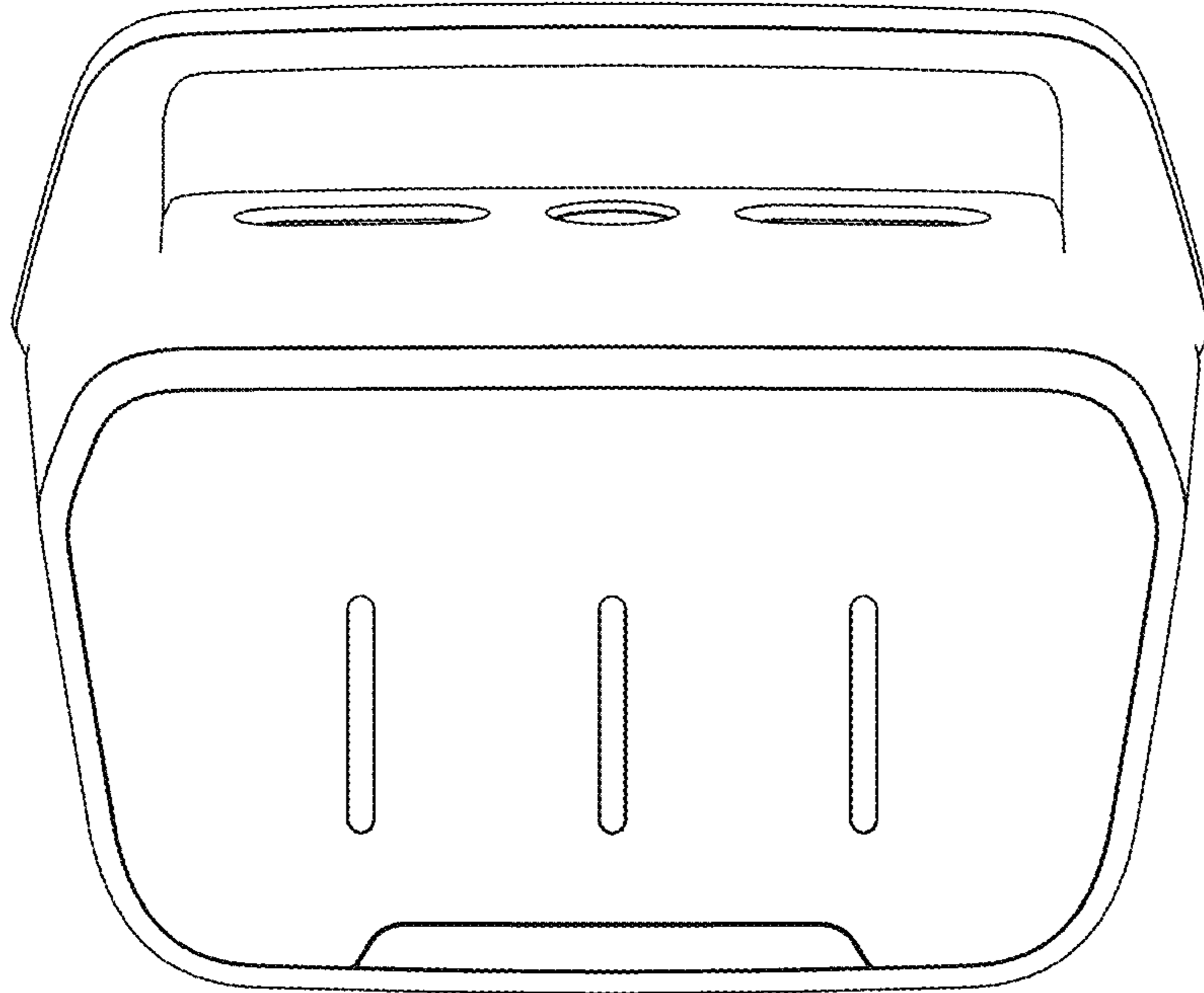
1.6



1.7



1.8



1.9

