

US00D867902S

(12) **United States Design Patent** (10) **Patent No.:** **US D867,902 S**
Buonamassa Stigliani (45) **Date of Patent:** **** Nov. 26, 2019**

(54) **WATCH**

(71) Applicant: **Bulgari Horlogerie S.A.**, Neuchâtel (CH)

(72) Inventor: **Fabrizio Buonamassa Stigliani**, Neuchatel (CH)

(73) Assignee: **BULGARI HORLOGERIE S.A.**, Neuchâtel (CH)

(**) Term: **15 Years**

(21) Appl. No.: **29/614,419**

(22) Filed: **Aug. 18, 2017**

(30) **Foreign Application Priority Data**

Feb. 20, 2017 (WO) DM094945

(51) **LOC (12) Cl.** **10-02**

(52) **U.S. Cl.**
USPC **D10/32**

(58) **Field of Classification Search**
USPC D10/30-39, 122-124, 126, 132; D11/3, D11/5; D8/307, 312
See application file for complete search history.

(56) **References Cited**

U.S. PATENT DOCUMENTS

- D296,766 S * 7/1988 Pavlovic D10/32
- D533,084 S * 12/2006 Arabo D10/32
- D558,613 S * 1/2008 Wei D10/38
- D606,886 S * 12/2009 Bulgari D10/32
- D606,894 S * 12/2009 Bulgari D11/5

- D628,092 S * 11/2010 Bulgari D10/32
- D629,312 S * 12/2010 Laucella D10/39
- D638,724 S * 5/2011 Laucella D10/39
- D675,124 S * 1/2013 Rowland D11/5
- D756,616 S * 5/2016 Darmetko D11/3
- D761,667 S * 7/2016 Buonamassa Stigliani ... D10/32
- D769,741 S * 10/2016 Buonamassa D10/38
- D780,176 S * 2/2017 Kim D11/5
- D780,178 S * 2/2017 Kwak D14/138 R
- D811,258 S * 2/2018 Buonamassa Stigliani D11/5
- D814,958 S * 4/2018 Silvestri D11/4
- D835,538 S * 12/2018 Silvestri D11/31

* cited by examiner

Primary Examiner — Sandra S Snapp

Assistant Examiner — Katherine Glennon

(74) *Attorney, Agent, or Firm* — Stephen Kenny; Peter Sullivan; Foley Hoag LLP

(57) **CLAIM**

The ornamental design for a watch, as shown and described.

DESCRIPTION

FIG. 1 is a perspective view of a watch showing my new design.

FIG. 2 is a front view thereof.

FIG. 3 is a back view thereof.

FIG. 4 is a left side view thereof.

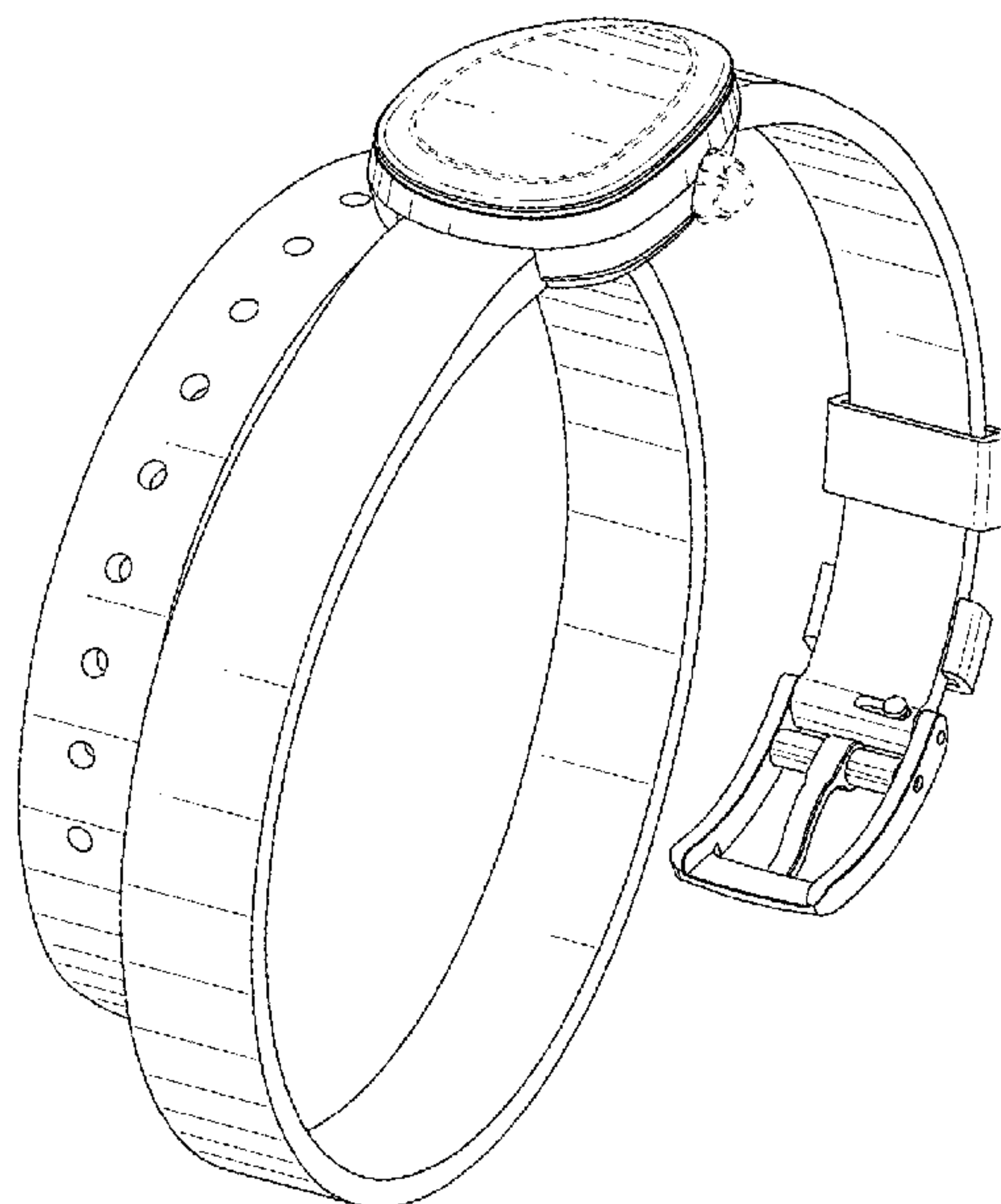
FIG. 5 is a right side view thereof.

FIG. 6 is a top view thereof; and,

FIG. 7 is a bottom view thereof.

The broken lines shown in the drawings represent portions of the watch which form no part of the claimed design.

1 Claim, 7 Drawing Sheets



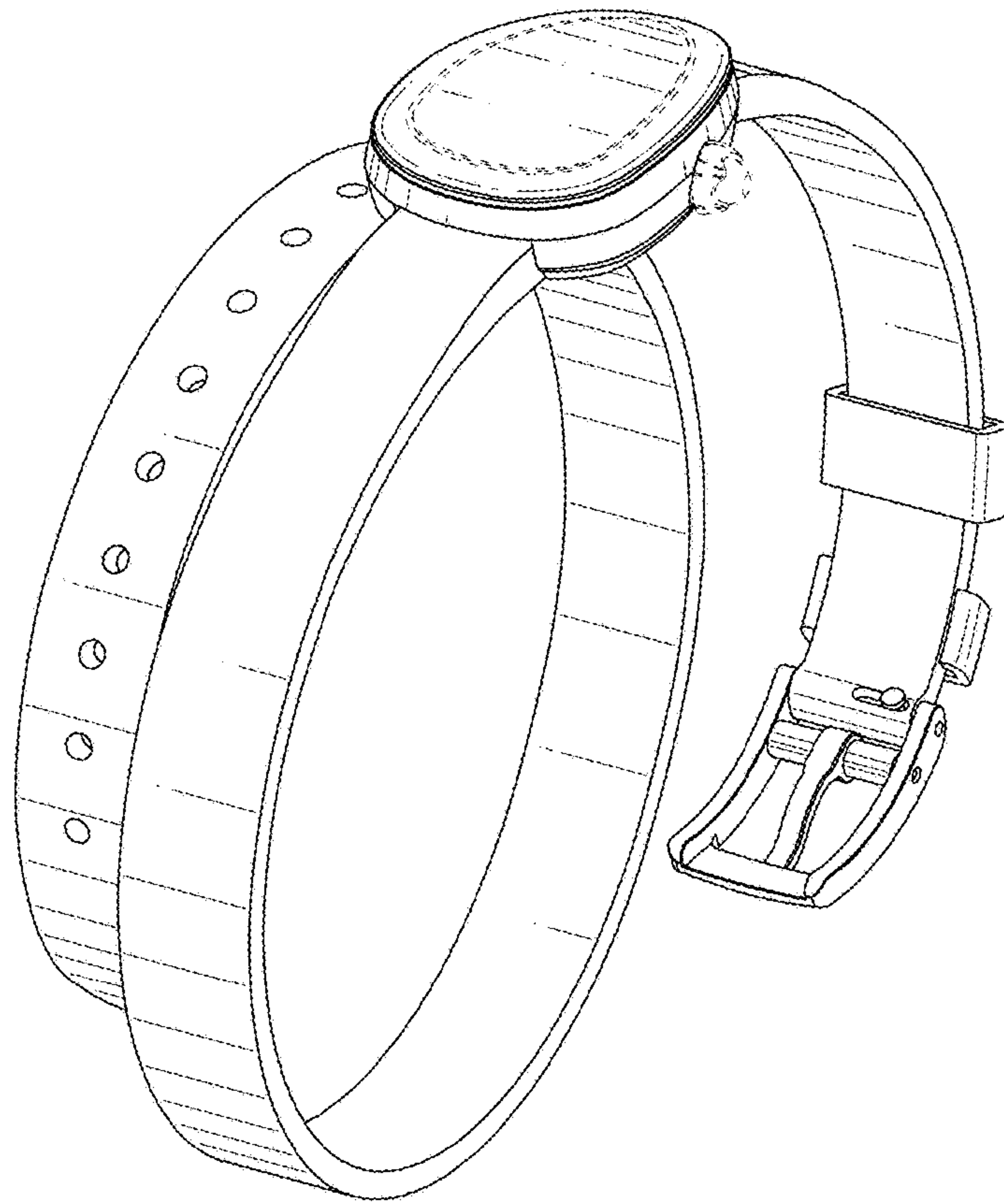


FIG. 1

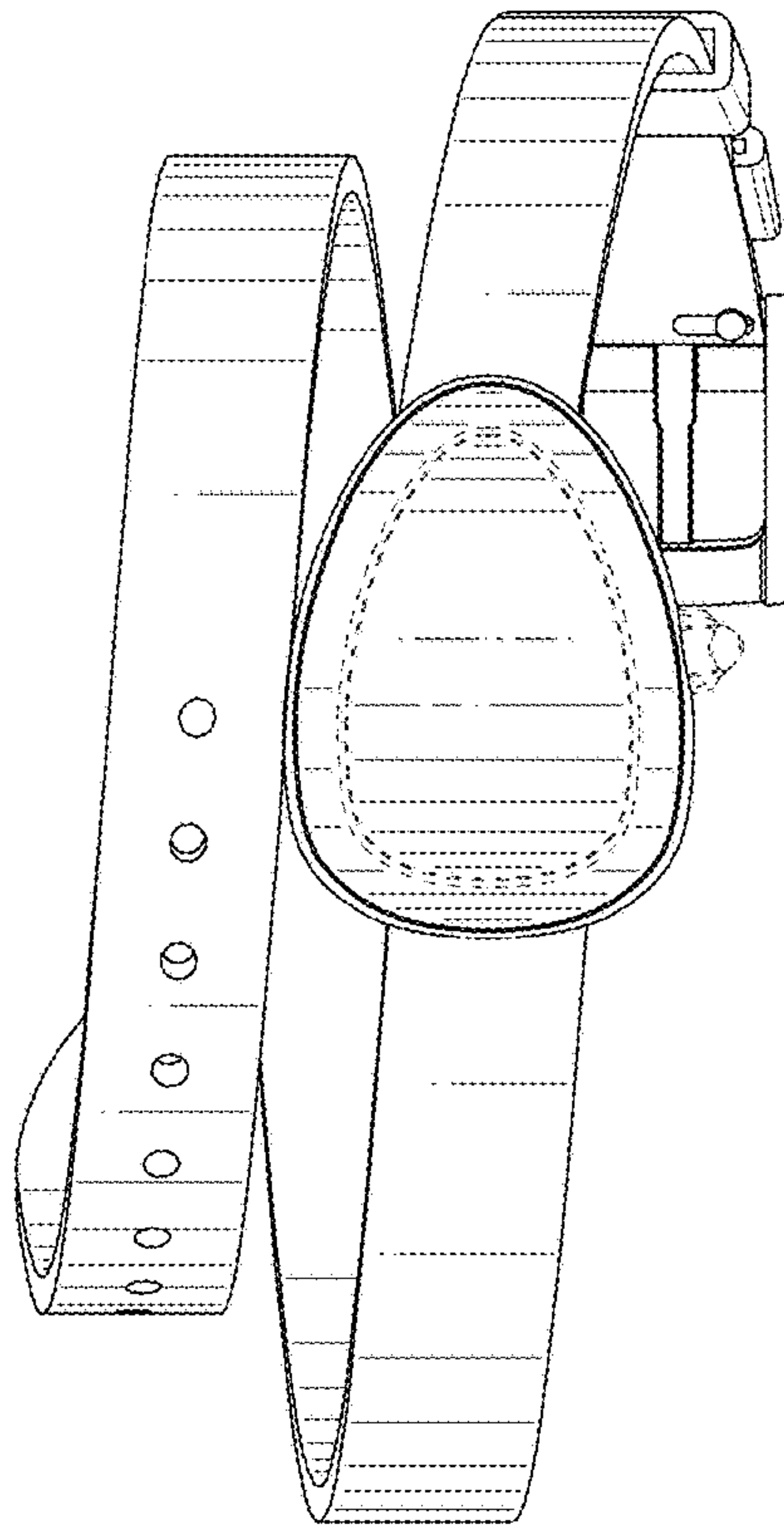


FIG. 2

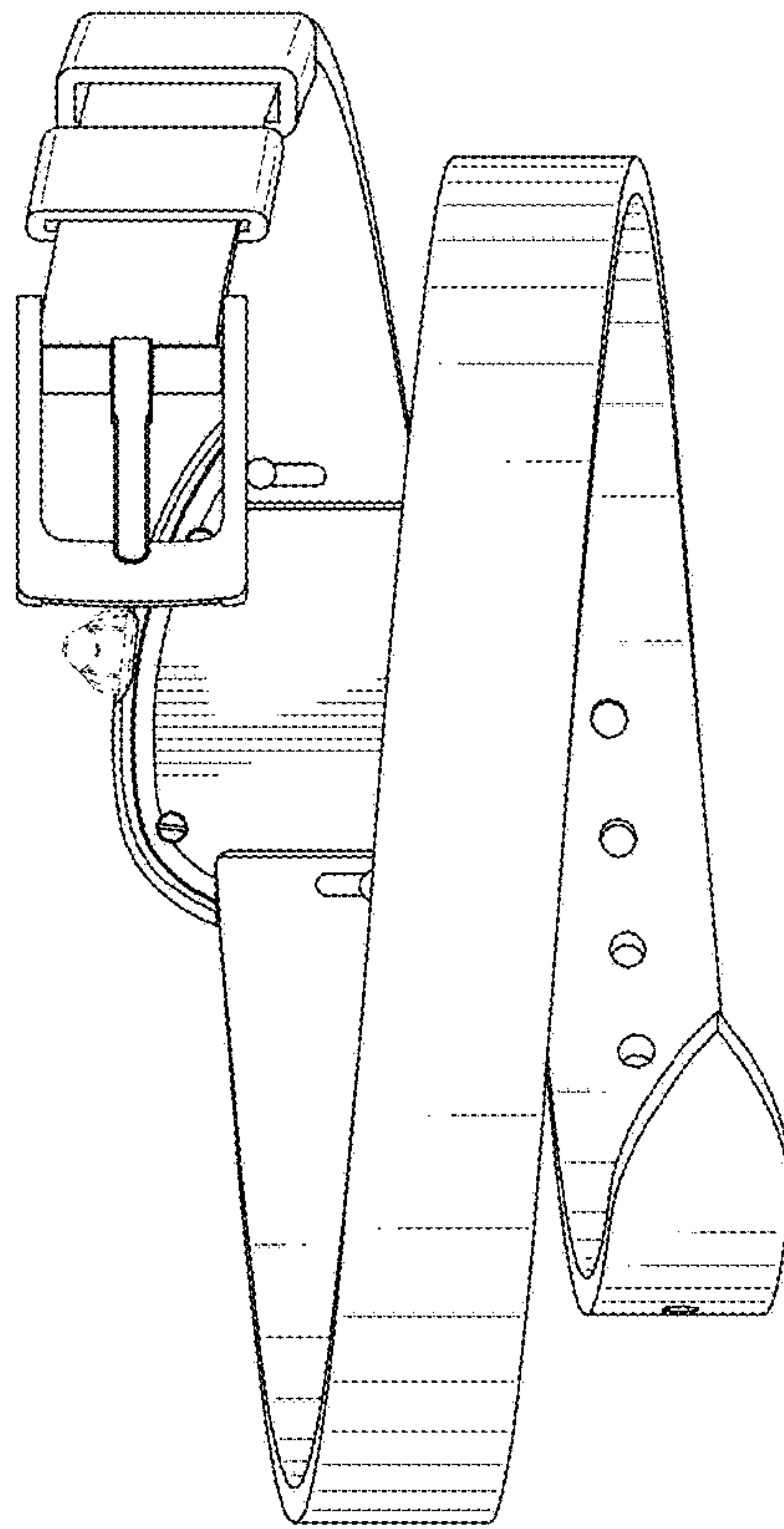


FIG.3

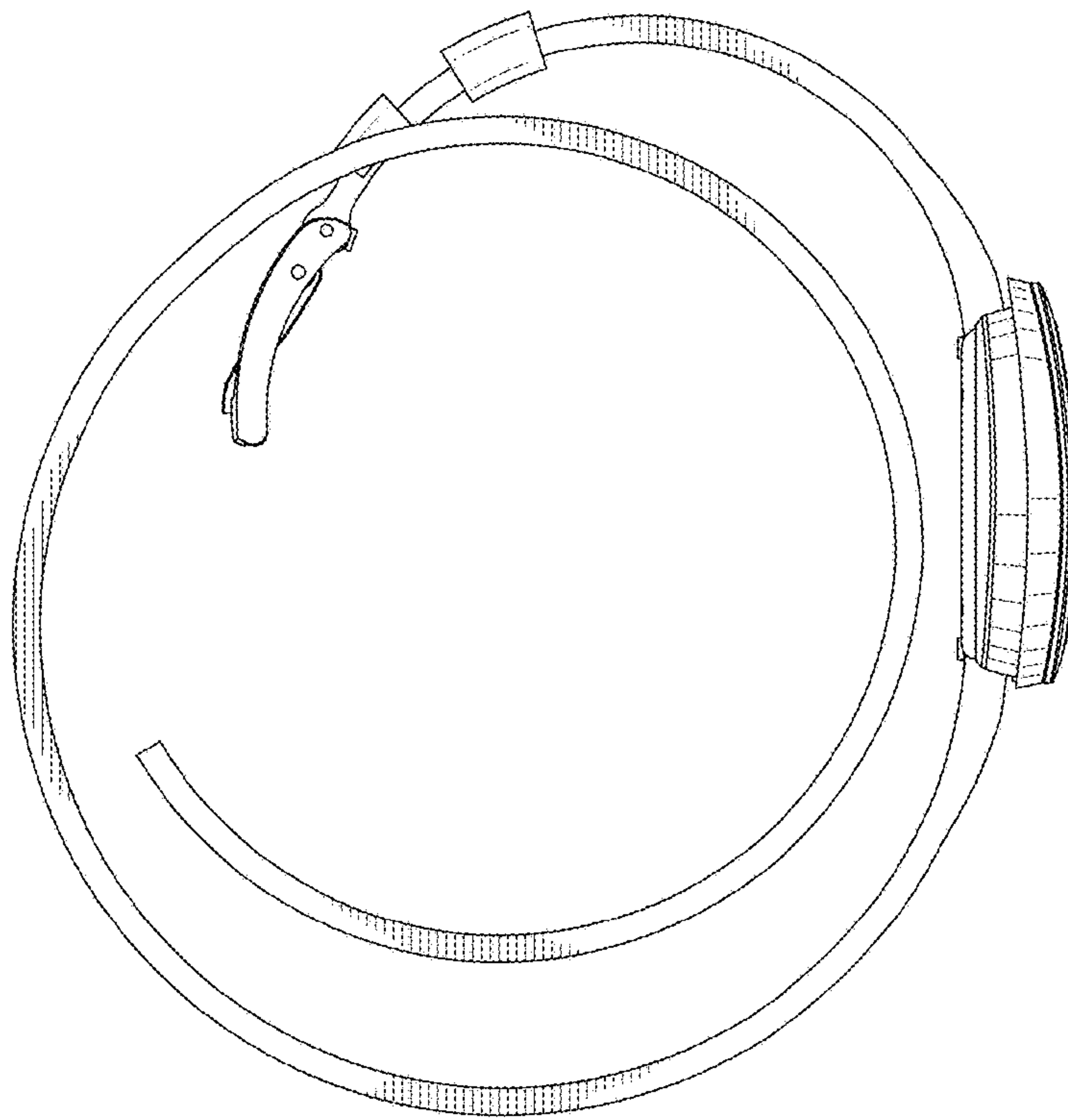


FIG.4

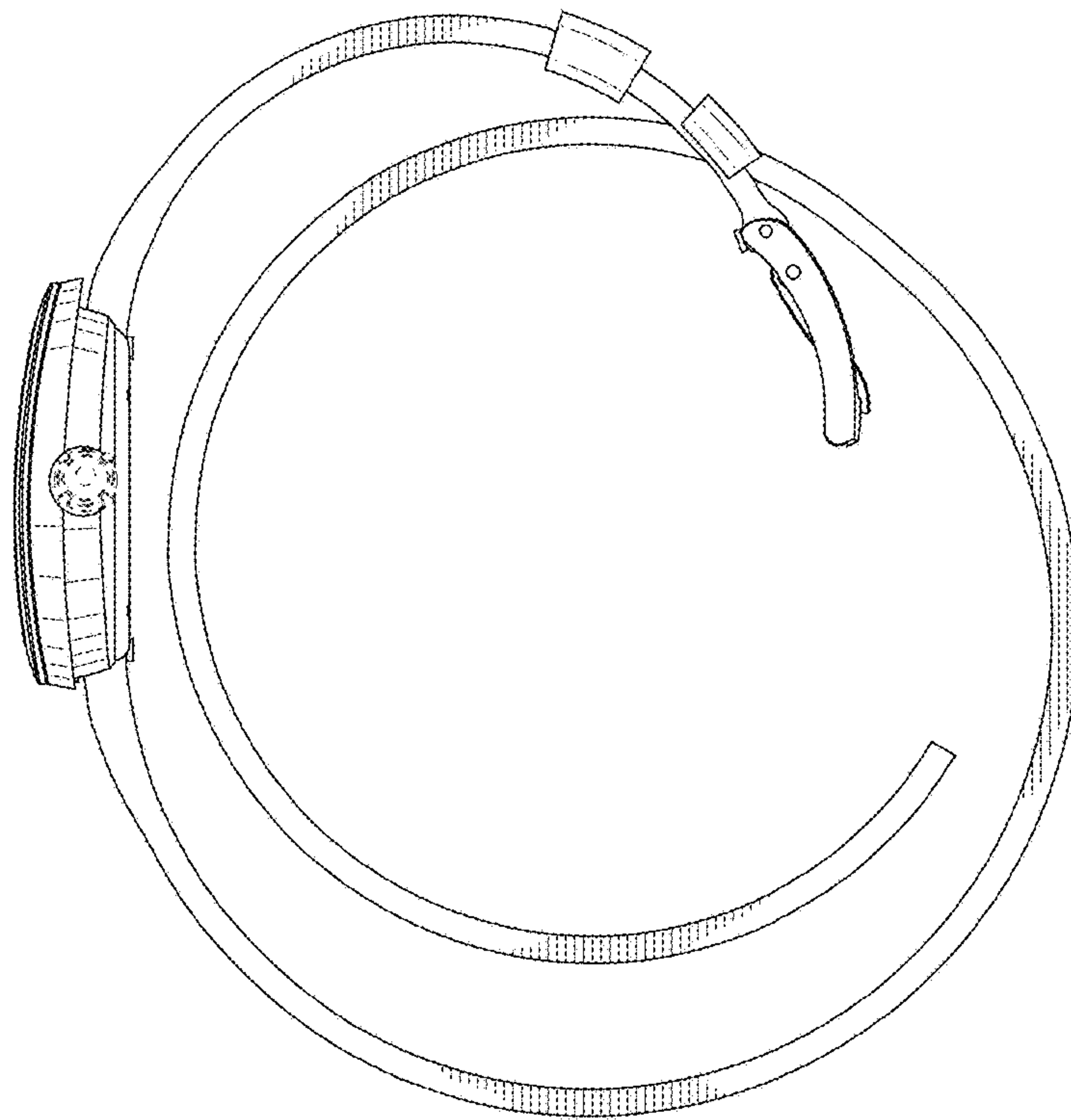


FIG. 5

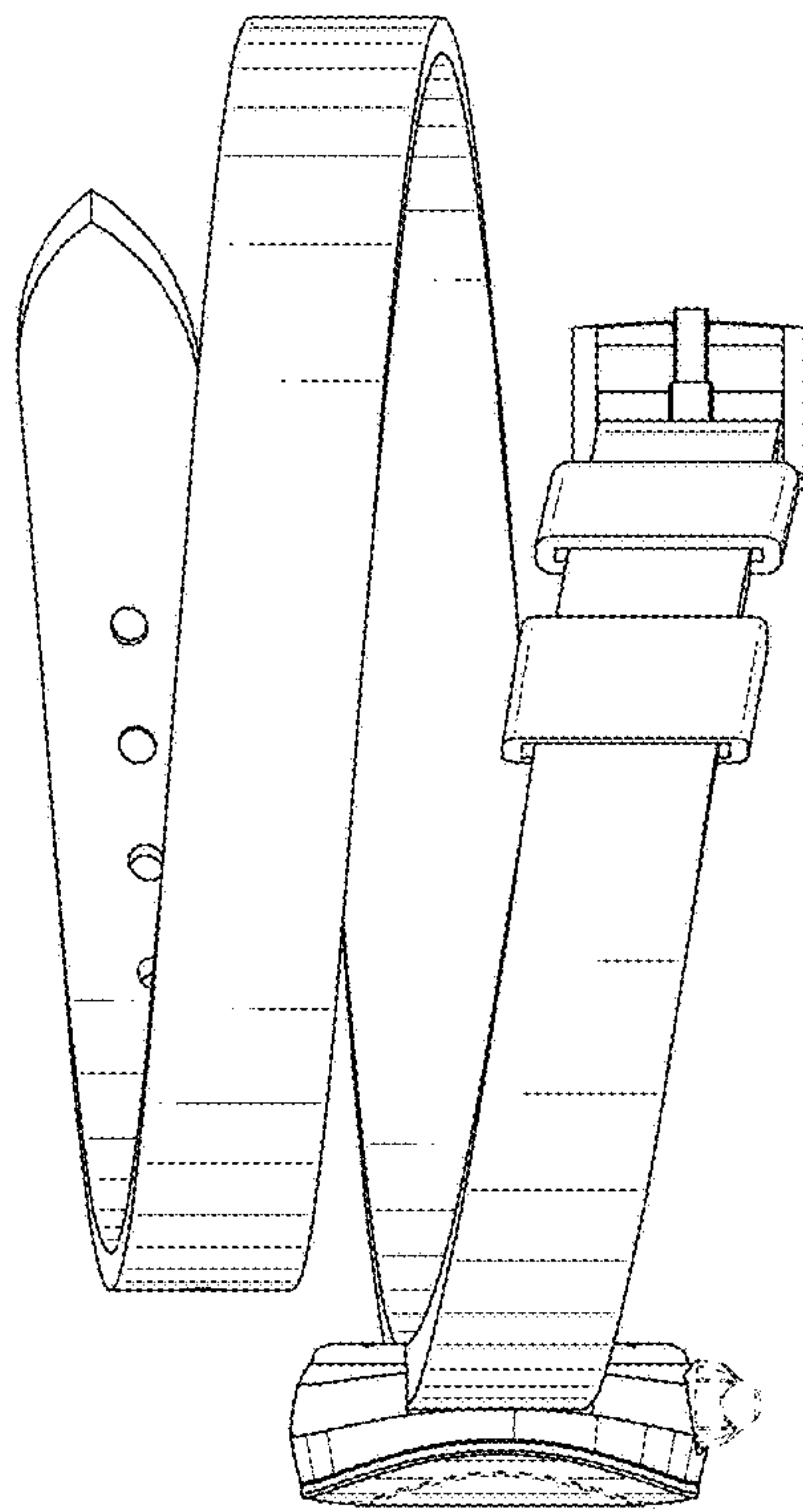


FIG.6

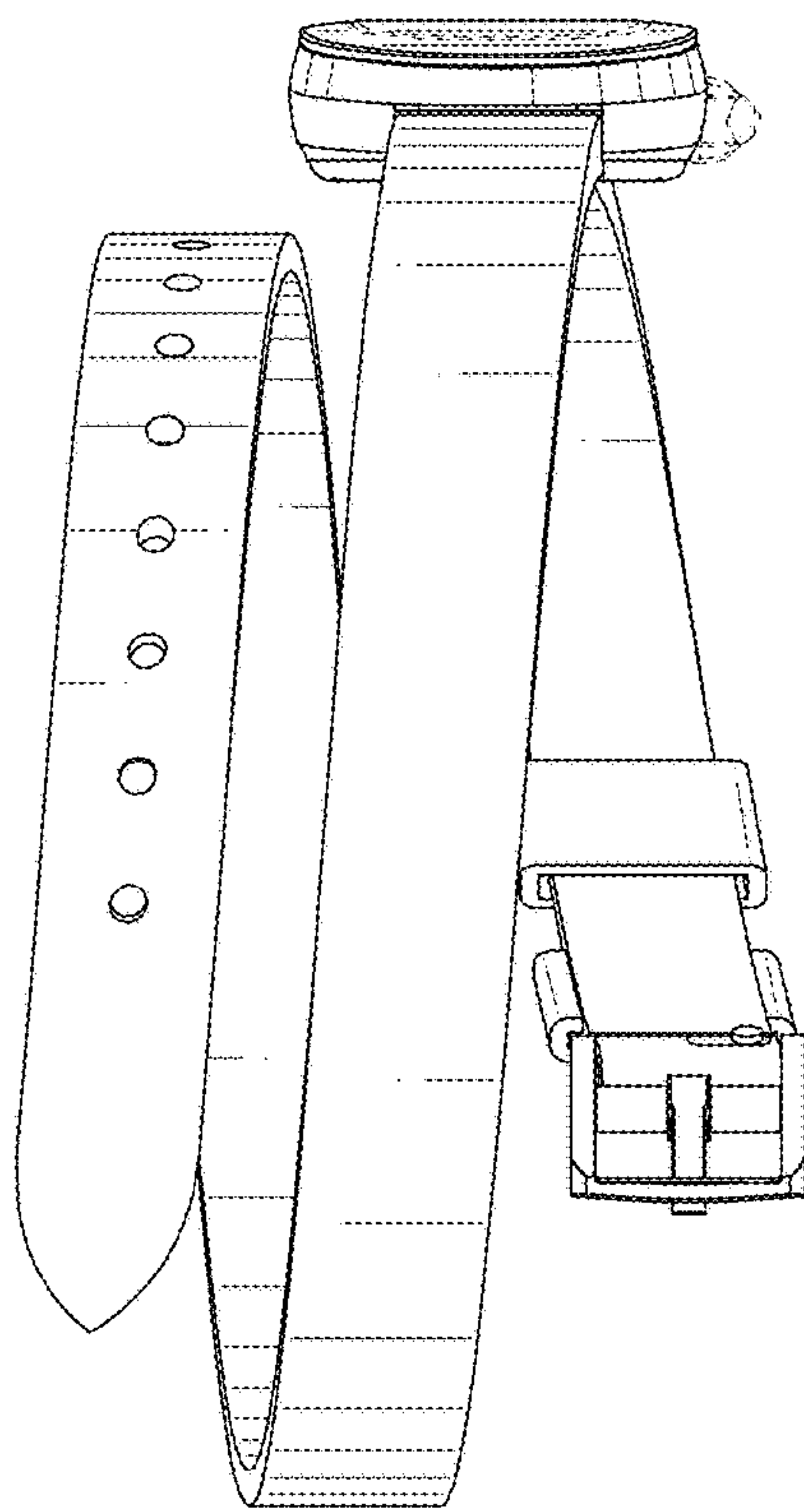


FIG. 7